

MANDATORY

SERVICE BULLETIN

DATE: August 22, 2008 Service Bulletin No. 564A
(Supersedes Service Bulletin No. 564)
Engineering Aspects are
FAA DER Approved

SUBJECT: Inspection of Suction Screen Length

MODELS AFFECTED: Lycoming AEIO-360-A1B6, -A1E, -H1B model engines listed below in Table.

TIME OF COMPLIANCE: Prior to any inverted flight but no later than next scheduled oil change (50 hours of engine operation).

The incorrect oil suction screen may have been installed in the aerobatic engines listed below. This will result in the plug installed in the oil suction pickup to become loose, resulting in a loss of oil pressure during inverted flight.

No additional action is required from owners who have already complied with Service Bulletin No. 564. Owners who have not complied with Service Bulletin No. 564, or who have been added to the Table below need to comply with this revision. Newly affected serial numbers are highlighted in gray.

INSTRUCTIONS FOR COMPLIANCE:

Remove the oil suction screen, verify the part number, and measure for correct length. The correct oil suction screen must be P/N 70484 and the length must be 4.50 in. If the incorrect screen is found, ensure the P/N LW-13752 plug is properly installed in the oil suction passage and install the correct P/N 70484 screen. See Figure.

TROUBLESHOOTING:

If loss of oil pressure occurs during inverted flight, and if the engine serial number is not listed on this Service Bulletin, then check the oil suction screen part number in addition to following the troubleshooting section outlined in Operators Manual P/N 60297-21.

Table

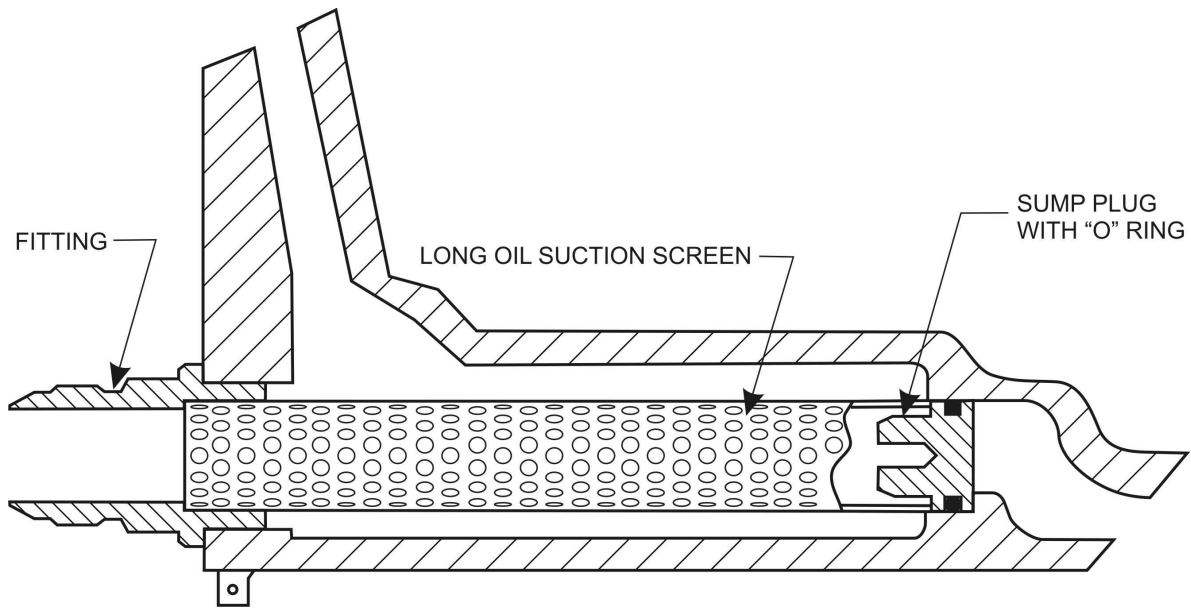
| Engine Model | Engine S/N | Engine Model | Engine S/N | Engine Model | Engine S/N |
|----------------------|--------------------|----------------------|--------------------|----------------------|--------------------|
| AEIO-360-A1B6 | L-31504-51A | AEIO-360-A1B6 | L-32735-51A | AEIO-360-A1B6 | L-33429-51E |
| AEIO-360-A1B6 | L-31816-51A | AEIO-360-A1B6 | L-32736-51A | AEIO-360-A1B6 | L-33570-51E |
| AEIO-360-A1B6 | L-31825-51A | AEIO-360-A1B6 | L-32756-51A | AEIO-360-A1B6 | L-33571-51E |
| AEIO-360-A1B6 | L-32110-51A | AEIO-360-A1B6 | L-32853-51A | AEIO-360-A1B6 | L-33572-51E |
| AEIO-360-A1B6 | L-32324-51A | AEIO-360-A1B6 | L-32976-51A | AEIO-360-A1B6 | L-33741-51E |
| AEIO-360-A1B6 | L-32325-51A | AEIO-360-A1B6 | L-32977-51A | AEIO-360-A1B6 | L-33742-51E |
| AEIO-360-A1B6 | L-32439-51A | AEIO-360-A1B6 | L-33025-51A | AEIO-360-A1B6 | L-34200-51E |
| AEIO-360-A1B6 | L-32440-51A | AEIO-360-A1B6 | L-33037-51A | AEIO-360-A1B6 | L-34201-51E |
| AEIO-360-A1B6 | L-32734-51A | AEIO-360-A1B6 | L-33398-51E | AEIO-360-A1B6 | L-34217-51E |



| ISSUED | | | REVISED | | | PAGE NO. | REVISION |
|--------|-----|------|---------|-----|------|----------|----------|
| MO | DAY | YEAR | MO | DAY | YEAR | 1 of 3 | A |
| 12 | 10 | 04 | 08 | 22 | 08 | | |

| | | | | | |
|---------------|--------------|--------------|-------------|--------------|-------------|
| Engine Model | Engine S/N | Engine Model | Engine S/N | Engine Model | Engine S/N |
| AEIO-360-A1B6 | RL-20847-51A | AEIO-360-H1B | L-31980-51A | AEIO-360-H1B | L-32827-51E |
| AEIO-360-A1B6 | RL-22920-51E | AEIO-360-H1B | L-32013-51A | AEIO-360-H1B | L-32828-51E |
| AEIO-360-A1B6 | RL-25179-51A | AEIO-360-H1B | L-32014-51A | AEIO-360-H1B | L-32847-51E |
| AEIO-360-A1B6 | RL-25307-51E | AEIO-360-H1B | L-32015-51A | AEIO-360-H1B | L-32880-51E |
| AEIO-360-A1B6 | RL-25928-51A | AEIO-360-H1B | L-32016-51A | AEIO-360-H1B | L-32903-51E |
| AEIO-360-A1B6 | RL-28738-51A | AEIO-360-H1B | L-32027-51A | AEIO-360-H1B | L-32933-51E |
| AEIO-360-A1B6 | RL-29018-51E | AEIO-360-H1B | L-32028-51A | AEIO-360-H1B | L-32947-51E |
| AEIO-360-A1E | L-22922-51A | AEIO-360-H1B | L-32029-51A | AEIO-360-H1B | L-32974-51E |
| AEIO-360-A1E | L-30766-51E | AEIO-360-H1B | L-32044-51A | AEIO-360-H1B | L-33007-51E |
| AEIO-360-A1E | L-30783-51E | AEIO-360-H1B | L-32050-51A | AEIO-360-H1B | L-33026-51E |
| AEIO-360-A1E | L-31685-51A | AEIO-360-H1B | L-32061-51A | AEIO-360-H1B | L-33315-51E |
| AEIO-360-A1E | L-32054-51A | AEIO-360-H1B | L-32086-51A | AEIO-360-H1B | L-33320-51E |
| AEIO-360-A1E | L-32357-51A | AEIO-360-H1B | L-32087-51A | AEIO-360-H1B | L-33326-51E |
| AEIO-360-A1E | L-32358-51A | AEIO-360-H1B | L-32092-51A | AEIO-360-H1B | L-33356-51E |
| AEIO-360-A1E | L-32551-51A | AEIO-360-H1B | L-32109-51A | AEIO-360-H1B | L-33373-51E |
| AEIO-360-A1E | L-32592-51A | AEIO-360-H1B | L-32133-51A | AEIO-360-H1B | L-33413-51E |
| AEIO-360-A1E | L-32605-51A | AEIO-360-H1B | L-32143-51A | AEIO-360-H1B | L-33428-51E |
| AEIO-360-A1E | L-33344-51E | AEIO-360-H1B | L-32163-51A | AEIO-360-H1B | L-33439-51E |
| AEIO-360-A1E | L-33886-51E | AEIO-360-H1B | L-32197-51A | AEIO-360-H1B | L-33466-51E |
| AEIO-360-A1E | L-33937-51E | AEIO-360-H1B | L-32211-51A | AEIO-360-H1B | L-33498-51E |
| AEIO-360-H1B | L-31425-51A | AEIO-360-H1B | L-32215-51A | AEIO-360-H1B | L-33537-51E |
| AEIO-360-H1B | L-31426-51A | AEIO-360-H1B | L-32263-51A | AEIO-360-H1B | L-33564-51E |
| AEIO-360-H1B | L-31436-51A | AEIO-360-H1B | L-32265-51A | AEIO-360-H1B | L-33582-51E |
| AEIO-360-H1B | L-31459-51A | AEIO-360-H1B | L-32290-51A | AEIO-360-H1B | L-33612-51E |
| AEIO-360-H1B | L-31470-51A | AEIO-360-H1B | L-32301-51A | AEIO-360-H1B | L-33613-51E |
| AEIO-360-H1B | L-31497-51A | AEIO-360-H1B | L-32327-51A | AEIO-360-H1B | L-33627-51E |
| AEIO-360-H1B | L-31502-51A | AEIO-360-H1B | L-32338-51A | AEIO-360-H1B | L-33638-51E |
| AEIO-360-H1B | L-31503-51A | AEIO-360-H1B | L-32348-51A | AEIO-360-H1B | L-33665-51E |
| AEIO-360-H1B | L-31513-51A | AEIO-360-H1B | L-32350-51A | AEIO-360-H1B | L-33785-51E |
| AEIO-360-H1B | L-31516-51A | AEIO-360-H1B | L-32351-51A | AEIO-360-H1B | L-33802-51E |
| AEIO-360-H1B | L-31517-51A | AEIO-360-H1B | L-32458-51A | AEIO-360-H1B | L-33839-51E |
| AEIO-360-H1B | L-31519-51A | AEIO-360-H1B | L-32476-51A | AEIO-360-H1B | L-33847-51E |
| AEIO-360-H1B | L-31520-51A | AEIO-360-H1B | L-32478-51A | AEIO-360-H1B | L-34007-51E |
| AEIO-360-H1B | L-31521-51A | AEIO-360-H1B | L-32503-51A | AEIO-360-H1B | L-34014-51E |
| AEIO-360-H1B | L-31522-51A | AEIO-360-H1B | L-32531-51A | AEIO-360-H1B | L-34034-51E |
| AEIO-360-H1B | L-31558-51A | AEIO-360-H1B | L-32543-51A | AEIO-360-H1B | L-34130-51E |
| AEIO-360-H1B | L-31593-51A | AEIO-360-H1B | L-32580-51A | AEIO-360-H1B | L-34131-51E |
| AEIO-360-H1B | L-31608-51A | AEIO-360-H1B | L-32610-51A | AEIO-360-H1B | L-34147-51E |
| AEIO-360-H1B | L-31614-51A | AEIO-360-H1B | L-32681-51A | AEIO-360-H1B | L-34148-51E |
| AEIO-360-H1B | L-31625-51A | AEIO-360-H1B | L-32682-51A | AEIO-360-H1B | L-34152-51E |
| AEIO-360-H1B | L-31799-51A | AEIO-360-H1B | L-32725-51A | AEIO-360-H1B | L-34153-51E |
| AEIO-360-H1B | L-31836-51A | AEIO-360-H1B | L-32748-51A | AEIO-360-H1B | L-34212-51E |
| AEIO-360-H1B | L-31843-51A | AEIO-360-H1B | L-32750-51A | AEIO-360-H1B | L-34213-51E |
| AEIO-360-H1B | L-31917-51A | AEIO-360-H1B | L-32754-51A | AEIO-360-H1B | L-34241-51E |
| AEIO-360-H1B | L-31971-51A | AEIO-360-H1B | L-32757-51A | AEIO-360-H1B | L-34273-51E |
| AEIO-360-H1B | L-31972-51A | AEIO-360-H1B | L-32823-51E | AEIO-360-H1B | L-34347-51E |

| | | | | | | | | |
|--------|-----|------|---------|-----|------|----------|----------|--------|
| ISSUED | | | REVISED | | | PAGE NO. | REVISION | SB 564 |
| MO | DAY | YEAR | MO | DAY | YEAR | 2 of 3 | A | |
| 12 | 10 | 04 | 08 | 22 | 08 | | | |



Figure

Illustrative example of proper installation of a long (P/N 70484 at 4.50 in.) oil suction screen. A shorter suction screen will not hold the sump plug in the sump, thereby resulting in a loss of oil pressure during inverted flight.

| ISSUED | | | REVISED | | | PAGE NO. | REVISION | SB 564 |
|--------|-----|------|---------|-----|------|----------|----------|--------|
| MO | DAY | YEAR | MO | DAY | YEAR | | | |
| 12 | 10 | 04 | 08 | 22 | 08 | 3 of 3 | A | |