

MANDATORY SERVICE BULLETIN

DATE: February 2, 2016

Service Bulletin No. 625
Engineering Aspects are
FAA Approved

SUBJECT: Alternator Fan Backplate

MODELS AFFECTED: Lycoming engine models IO-360-A1B6, IO-360-C1G6, TIO-360-C1A6D, IO-540-K1G5, TIO-540-AH1A, and AEIO-580-B1A that have alternator assembly part number (P/N) 32C21703 or 32C22492 and any spare alternator assemblies P/N 32C21703 or 32C22492.

TIME OF COMPLIANCE: At the next regularly scheduled maintenance event but not later than 12 months after the effective date of this Service Bulletin (whichever occurs first)

NOTICE: Incomplete review of all the information in this document can cause errors. Read the entire Service Bulletin to make sure you have a complete understanding of the requirements.

This Service Bulletin is notification of a requirement to replace specific alternator assemblies identified herein as a corrective action for potentially non-conforming alternator fan backplates in the field. Continued operation of an alternator with a non-conforming alternator fan backplate can cause undue flex and stress on the backplate during engine operation.

Table 1 in this Service Bulletin identifies affected Lycoming engine models, engine serial numbers, alternator assembly part numbers, and alternator serial numbers that were shipped from Lycoming Engines that could have suspect alternator fan backplates.

Table 2 identifies affected Lycoming alternator assembly part numbers and alternator serial numbers of spares shipped from Lycoming that have suspect alternator fan backplates.

Required Action

1. Identify and remove any alternator assembly identified in Tables 1 or 2 from all of your affected Lycoming engine models identified above or in inventory.
2. Examine each suspect alternator assembly (Figure 1) for the correct alternator fan backplate thickness of 0.052 to 0.072 in. (1.321 to 1.829 mm) instead of 0.027 to 0.044 in. (0.686 to 1.118 mm).

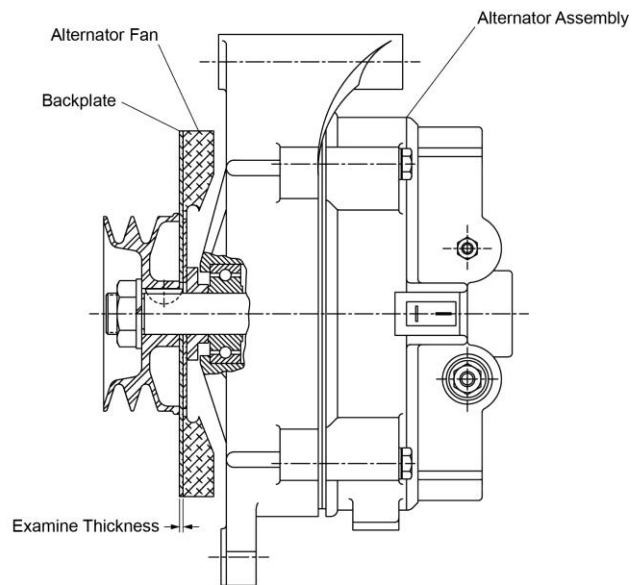


Figure 1
Alternator Fan Backplate



ISSUED			REVISED			PAGE NO.	REVISION
MO	DAY	YEAR	MO	DAY	YEAR		
02	02	16	--	--	--	1 of 3	--

3. If the alternator assembly has a fan backplate thickness measuring less than 0.052 in. (1.321 mm) follow the warranty instructions in this Service Bulletin.
4. Show compliance to this Service Bulletin in the logbook of each affected engine by recording the serial number of each returned non-compliant alternator assembly and the serial number of the replacement alternator. Also, record notes in your inventory records of compliance and findings in your spares inventory.

Warranty Instructions and Replacement Parts for Engines/Parts Affected by Service Bulletin No. 625

1. Contact an Authorized Lycoming Distributor to order a replacement alternator assembly.
2. Upon receipt, complete the installation procedure.
3. Return the removed alternator assembly to Lycoming Engines through the same Authorized Lycoming Distributor that ordered the replacement alternator assembly and file a warranty claim for:
 - A. Reimbursement of the replacement parts.
 - B. Associated Freight.
 - C. Removal and Reinstallation Labor Allowance of not more than 1.5 hours.

If you have any questions, contact Lycoming Field Service by phone at 570-327-7222 or 877-839-7878.

NOTICE: Warranty consideration is available for 12 months from the date of issue of this Service Bulletin.

**Table 1
Affected Lycoming Engine Models, Engine Serial Numbers,
Alternator Assembly Part Numbers and Alternator Serial Numbers**

Engine Model	Engine Serial Number	Alternator Assembly P/N	Alternator S/N
IO-360-A1B6	L-26800-51E	32C21703	H-O120611
IO-360-A1B6	L-32619-51E	32C21703	H-O030993
IO-360-A1B6	L-36449-51E	32C21703	H-N120380
IO-360-A1B6	L-36450-51E	32C21703	H-N120378
IO-360-A1B6	L-36648-51E	32C21703	H-P041160
IO-360-A1B6	L-36649-51E	32C21703	H-P041163
IO-360-A1B6	L-36651-51E	32C21703	H-P041161
IO-360-A1B6	L-36652-51E	32C21703	H-P030361
IO-360-A1B6	L-9122-51E	32C21703	H-O030992
IO-360-C1G6	L-36681-51E	32C21703	H-P041164
IO-360-C1G6	L-36682-51E	32C21703	H-P041165
IO-360-C1G6	L-36695-51E	32C21703	H-P050593
TIO-360-C1A6D	L-260-64A	32C21703	H-O050481
TIO-360-C1A6D	L-261-64A	32C21703	H-O050482
TIO-360-C1A6D	L-262-64A	32C21703	H-O050483
TIO-360-C1A6D	L-263-64A	32C21703	H-O050484
TIO-360-C1A6D	L-264-64A	32C21703	H-O050485
TIO-360-C1A6D	L-265-64A	32C21703	H-O110013

ISSUED			REVISED			PAGE NO.	REVISION	S.B. 625
MO	DAY	YEAR	MO	DAY	YEAR	2 of 3	--	
02	02	16	--	--	--			

Table 1 (Cont.)
Affected Lycoming Engine Models, Engine Serial Numbers,
Alternator Assembly Part Numbers and Alternator Serial Numbers

Engine Model	Engine Serial Number	Alternator Assembly P/N	Alternator S/N
TIO-360-C1A6D	L-266-64A	32C21703	H-O120608
TIO-360-C1A6D	L-267-64A	32C21703	H-O120607
TIO-360-C1A6D	L-268-64A	32C21703	H-P050592
IO-540-K1G5	RL-19096-48E	32C22492	H-P060953
IO-540-K1G5	RL-26418-48E	32C22492	H-P021047
IO-540-K1G5	RL-26888-48E	32C22492	H-N021344
TIO-540-AH1A	RL-13614-61A	32C22492	H-N041723
TIO-540-AH1A	RL-3467-61A	32C22492	H-P021050
TIO-540-AH1A	RL-4378-61A	32C22492	H-M110972
TIO-540-AH1A	RL-6775-61A	32C22492	H-M110970
TIO-540-AH1A	RL-7488-61A	32C22492	H-P021048
AEIO-580-B1A	L-430-79E	32C22492	H-M110082
AEIO-580-B1A	L-431-79E	32C22492	H-N021342
AEIO-580-B1A	L-433-79E	32C22492	H-N041725

Table 2
Alternator Assembly Spare Parts Shipped from Lycoming

Alternator Assembly P/N	Alternator S/N	Alternator Assembly P/N	Alternator S/N
32C21703	H-O110012	32C21703	H-P050590
32C21703	H-O110014	32C21703	H-P041166
32C21703	H-O120609	32C21703	H-P050591
32C21703	H-O120610	32C22492	H-N021341
32C21703	H-O120612	32C22492	H-M110973
32C21703	H-O120613	32C22492	H-M110967
32C21703	H-P030360	32C22492	H-P021049
32C21703	H-P041162	32C22492	H-P021051

ISSUED			REVISED			PAGE NO.	REVISION	S.B. 625
MO	DAY	YEAR	MO	DAY	YEAR			
02	02	16	--	--	--	3 of 3	--	