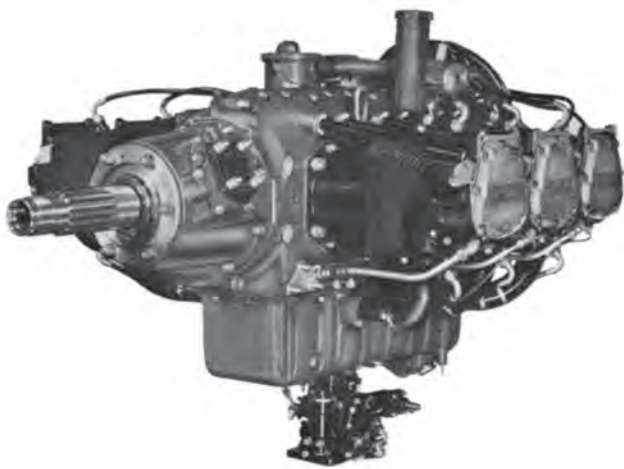
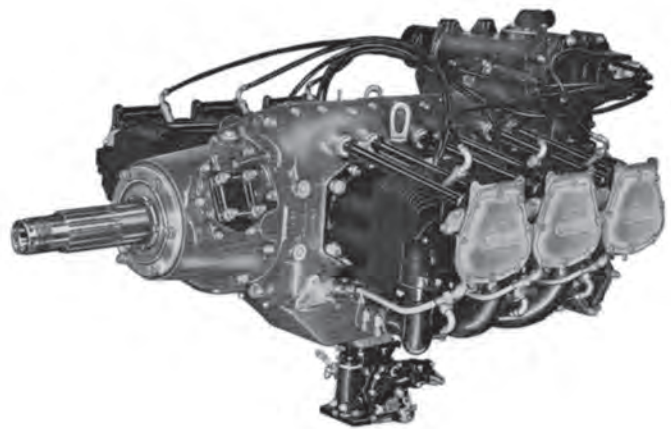


Lycoming Aircraft Engines Parts Catalog



Rear Mounted Accessory Engine

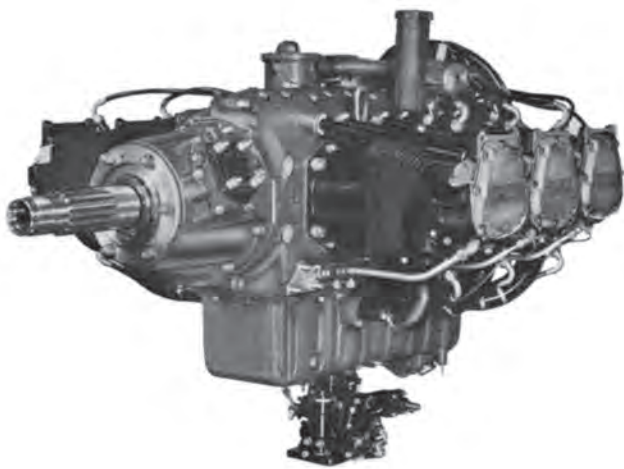


Crosswise Accessory Engine

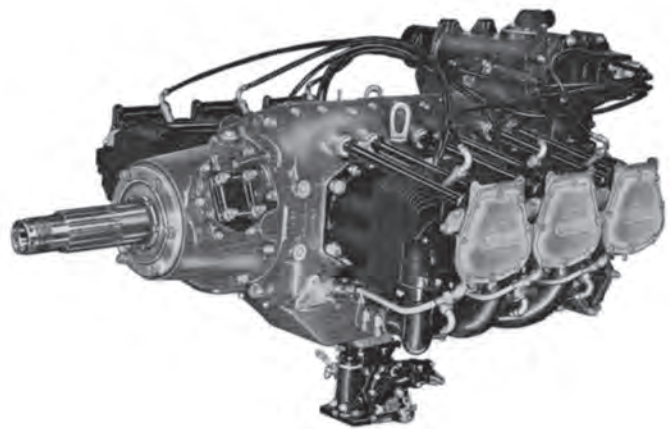
GO-480-B, -D and F6 Series Aircraft Engines

LYCOMING

Lycoming Aircraft Engines Parts Catalog



Rear Mounted Accessory Engine



Crosswise Accessory Engine

GO-480-B, -D and F6 Series Aircraft Engines

LYCOMING

AVCO LYCOMING AIRCRAFT ENGINE GROUP ASSEMBLY PARTS LIST

INTRODUCTION

This catalog contains a complete parts listing for low compression GO-480 Series aircraft engines. This will include both rear mounted and crosswise accessory engines. It also includes both wet and dry sump engines. Individual models contained herein are as follows: GO-480-B, -B1A6, -B1B*, -B1C, -B1D; GO-480-D1A; GO-480-F6**, -F1A6, -F2A6 and -F4A6.

Major sub-assemblies are presented in a chronological order. They are not necessarily placed in engine build-up order, but will follow this order wherever possible.

Illustrations contained herein, will endeavor to place a specific part in its exact location in a particular sub-assembly. Where to do so would confuse correct location of the part, dotted lines will be used to assure correct location. No more parts will be shown in any illustration than appear on a single page. Where comparatively few parts are shown, the illustrations will be on the same page as parts listing.

All engine model identifications are listed as the engine left the factory. Individual engine modifiers are responsible for ordering the correct parts for any modifications performed after the engine has left the factory. Excepting, of course, those modifications performed to conform with existing Avco Lycoming Service Bulletins and/or Instructions.

The following instructions are issued as a guide to the correct use of this catalog.

1. If you know the name of the part, turn to the Table of Contents. Parts are listed here by major sub-assembly and component parts.

a. If you do not know the name of the part, check the sub-assembly, in which you think the part may be located.

2. The Table of Contents will point out both a section and a particular page for the part in question; ie. Connecting Rod and Bearing, Section IV, Page 4-2.

3. Turn to chart that precedes Section IV. Under the column marked "Engine Model" find the model engine you require.

4. Move to the right and you will encounter several individual columns which are headed by identification of certain component parts plus a page number. Example: Connecting Rod and Bearing, Page 4-2.

5. Move down this column from the top and select the letter code (A, B etc.) that is directly opposite the model engine you require.

6. Now turn to page 4-2 in the catalog. Under the description column you will find the part in question listed under its proper nomenclature. Preceding the description the part is also identified by Part Number and a Reference Number. The Reference Number refers to the location of the part in the accompanying illustrations.

7. In the Model Usage column appears a letter code (A, B etc.).

8. Select the same letter that was indicated in Step 5. For example if letter "D" was indicated in Step 5, then "D" part on page 4-2 is applicable to engine in question. By the same token, all parts marked "D" on this page are applicable to engine in question.

A typical example: Find correct valve rocker shaft for GO-480-D1A model engine.

(1) Turn to Table of Contents in front of Catalog. Note that the Valve Rocker Assemblies are listed in Section IV, Page 4-7.

(2) Turn to Section IV. Using Chart at the beginning of this section, find engine model GO-480-D1A.

(3) Move to the right to the individual column heading, Valve Rocker Assembly. This is page 4-7. Note that letter code opposite GO-480-D1A model engine is "B".

(4) Turn to page 4-7. The letter "B" is opposite the 72626 valve rocker shaft. This then is the proper shaft for GO-480-D1A model engines.

9. A much faster procedure, if the part number is known, is to find part number in the numerical parts listing section. This section lists all the parts in numerical order. It also identifies the Description, Page No., Reference No. and Quantity use.

10. If neither part name or number is known, check illustrations. Since the illustrations now contain fewer parts, it is easier to isolate a part by sight.

* - GO-480-B1B model engines employ heavyweight magnetos as original equipment. Avco Lycoming is in the process of issuing -1200 series Bendix Magnetos for this engine.

** - GO-480-F6 engines have become model GO-480-F1A6.

AVCO LYCOMING AIRCRAFT ENGINE GROUP ASSEMBLY PARTS LIST

TABLE OF CONTENTS

SECTION	PAGE
INTRODUCTION	i
TABLE OF CONTENTS	ii
LIST OF ILLUSTRATIONS	iv
SUPERSEDURE SECTION	vi
I Crankcase, Crankshaft, Camshaft Group	1-1
Crankcase Assembly	1-2
Engine Mounting Brackets	1-3
Crankcase Related Parts	1-4
Crankshaft Assembly	1-5
Camshaft Assembly	1-6
Oil Level Gage Assemblies	1-7
Crankcase Attaching Parts	1-8
II Reduction Gear Assembly	2-1
Reduction Gear Assembly (Spline)	2-2
Reduction Gear Assembly (Flange)	2-3
Stationary Gear and Pinion Cage (Spline)	2-4
Stationary Gear and Pinion Cage (Flange)	2-5
Propeller Shaft and Thrust Bearing (Spline)	2-6
Propeller Shaft and Thrust Bearing (Flange)	2-7
Governor Drives and Governor Drive Adapter (Spline and Flange)	2-8
III Accessory Housing Assembly	3-1
Accessory Housing Assembly (Rear Mounted)	3-2
Tachometer Assembly (SAE and AN)	3-3
Accessory Housing Assembly (Crosswise)	3-4
Accessory Drive Gears and Oil Pump (Rear Mounted)	3-5
Accessory Drive Gears (Crosswise)	3-6
Starter Drive Assembly (Crosswise)	3-7
Oil Pump Drive (Crosswise)	3-8
Scavenge Pump Drive (Crosswise)	3-9
Accessory Housing Cover (Crosswise)	3-10
Main Accessory Drives (Crosswise)	3-11
Accessory Covers, Gaskets and Attaching Parts	3-12
Accessory Housing Attaching Parts	3-13
IV Cylinder, Piston and Valve Train	4-1
Connecting Rod and Bearings	4-2
Piston and Ring Assembly	4-3
Cylinder Assembly	4-4
Valves and Valve Springs	4-5
Shroud Tubes and Push Rod Assemblies	4-6
Valve Rocker Assembly	4-7
Cylinder Head Oil Drain Tubes	4-8
Exhaust Flanges	4-9
Intercylinder Baffle Assemblies	4-10
V Electrical Components	5-1
Magneto Drives and Magnetos	5-2
Kit Ass'y. Magneto Ground Terminal	5-3
Ignition Harness Assembly P/N 78544	5-4
Ignition Harness Assembly P/N 71028	5-5
Ignition Harness Assembly P/N 73927	5-6
Ignition Harness Assembly P/N 70425	5-7
Ignition Harness Assembly P/N 73928	5-8
Ignition Harness Assembly P/N 78545	5-9
Spark Plugs	5-10

TABLE OF CONTENTS

SECTION		PAGE
VI.	Oil Sump and Induction Group	6-1
	Oil Sump Assembly	6-2
	Oil Suction and Oil Pressure Screens	6-3
	Oil Scavenge Screen Assembly	6-4
	Breather System and Attaching Parts	6-5
	Oil By-Pass Plunger Assembly	6-6
	Intake Pipes and Attaching Parts	6-7
	Carburetor Assemblies	6-8
	Priming System	6-9
VII	Numerical Parts List	7-1
VIII	Vendor Accessory Section	8-1
IX	Service Replacement Set Section.	9-1

AVCO LYCOMING AIRCRAFT ENGINE GROUP ASSEMBLY PARTS LIST

ILLUSTRATIONS

SECTION		PAGE
I	Crankcase, Crankshaft and Camshaft	1-1
	Fig. 1 - Crankcase Assembly	1-2
	Fig. 2 - Mounting Brackets	1-3
	Fig. 3 - Crankcase Related Parts	1-4
	Fig. 4 - Crankshaft Assembly	1-5
	Fig. 5 - Camshaft Assembly	1-6
	Fig. 6 - Oil Level Gage Assemblies	1-7
	Fig. 7 - Crankcase Attaching Parts	1-8
II	Reduction Gear Assembly	2-1
	Fig. 8 - Reduction Gear Assembly (Spline)	2-2
	Fig. 9 - Reduction Gear Assembly (Flange)	2-3
	Fig. 10 - Stationary Gear and Pinion Cage (Spline)	2-4
	Fig. 11 - Stationary Gear and Pinion Cage (Flange)	2-5
	Fig. 12 - Prop. Shaft and Thrust Bearing Cap (Spline)	2-6
	Fig. 13 - Prop. Shaft and Thrust Bearing Cap (Flange)	2-7
	Fig. 14 - Governor Drives and Governor Drive Adapter	2-8
III	Accessory Housing Assembly	3-1
	Fig. 15 - Accessory Housing Assembly (Rear Mtd.)	3-2
	Fig. 16 - Accessory Drive Gears, Oil Pump Ass'y. (Rear Mtd.)	3-3
	Fig. 17 - Magneto Drives	3-4
	Fig. 18 - Tachometer Assemblies (SAE and AN)	3-5
	Fig. 19 - Accessory Housing Ass'y. (Crosswise)	3-6
	Fig. 20 - Accessory Drive Gears (Crosswise)	3-7
	Fig. 21 - Starter Drive Ass'y. (Crosswise)	3-8
	Fig. 22 - Oil Pump Drive (Crosswise)	3-9
	Fig. 23 - Oil Scavenge Pump Drive (Crosswise)	3-10
	Fig. 24 - Accessory Housing Cover (Crosswise)	3-11
	Fig. 25 - Main Accessory Drives (Crosswise)	3-12
	Fig. 26 - Accessory Covers, Gaskets and Attaching Parts	3-13
	Fig. 26A - Accessory Housing Attaching Parts	3-14
IV	Cylinder, Piston and Valve Train	4-1
	Fig. 27 - Connecting Rod and Bearing	4-2
	Fig. 28 - Piston and Ring Assembly	4-3
	Fig. 29 - Cylinder Assembly	4-4
	Fig. 30 - Valves and Valve Springs	4-5
	Fig. 31 - Shroud Tubes and Push Rod Assemblies	4-6
	Fig. 32 - Valve Rocker Assembly	4-7
	Fig. 33 - Cylinder Drain Tube Assembly	4-8
	Fig. 34 - Exhaust Flange and Attaching Parts	4-9
	Fig. 35 - Intercylinder Baffle Assembly	4-10
V	Electrical Components	5-1
	Fig. 36 - Magnetos and Magneto Drives	5-2
	Fig. 37 - Kit Assembly, Magneto Ground Terminal	5-3
	Fig. 38 - Ignition Harness Assembly P/N 78544	5-4
	Fig. 39 - Ignition Harness Assembly P/N 71028	5-5
	Fig. 40 - Ignition Harness Assembly P/N 73927	5-6
	Fig. 41 - Ignition Harness Assembly P/N 70425	5-7
	Fig. 42 - Ignition Harness Assembly P/N 73928	5-8
	Fig. 43 - Ignition Harness Assembly P/N 78545	5-9
	Fig. 44 - Spark Plug Assembly	5-10

AVCO LYCOMING AIRCRAFT ENGINE GROUP ASSEMBLY PARTS LIST

ILLUSTRATIONS

SECTION		PAGE
VI	Oil Sump and Induction Group	6-1
	Fig. 45 - Oil Sump Assembly (-B and -F6)	6-2
	Fig. 46 - Oil Sump Assembly (-D1A)	6-2
	Fig. 47 - Oil Suction, Oil Pressure Screen Assemblies	6-3
	Fig. 48 - Oil Scavenge Screen Assembly	6-4
	Fig. 49 - Breather System and Attaching Parts	6-5
	Fig. 49A - Breather (Crosswise Accessory Housing)	6-5A
	Fig. 50 - Oil By-Pass Plunger Ass'y.	6-6
	Fig. 51 - Intake Pipes and Attaching Parts (-B and -F6)	6-7
	Fig. 52 - Intake Pipes and Attaching Parts (-D1A)	6-7
	Fig. 53 - Carburetor Assembly (-B and -F6)	6-8
	Fig. 54 - Carburetor Assembly (-D1A)	6-8
	Fig. 55 - Priming System	6-9
VIII	Vendor Accessory Section	8-1
	Fig. 56 - Bendix Carburetor, PS-5BD	8-2
	Fig. 57 - Bendix Scintilla -20 Series Magnetos	8-3

AVCO LYCOMING PARTS CATALOG
GO-480-B, -D AND -F6 SERIES
AIRCRAFT ENGINES

SUPERSEDURE SECTION

AVCO LYCOMING AIRCRAFT ENGINE GROUP ASSEMBLY PARTS LIST

SUPERSEDURE SECTION

GO-480-B, -D AND -F6 SERIES

SECTION I - Crankcase, Crankshaft and Camshaft Group

Page No.	P/N	Nomenclature	Superseded By P/N	Models Affected
1-2	69230	Crankcase (Conventional Crankcase)	69384	-B, -B1B and -F6
	69384	Crankcase (70376, wrap around Crankcase)	70376	All -B and -F
	69834	Crankcase (70364, wrap around Crankcase)	70364	-D1A
1-4	69529	Hydraulic Tappet Body	72877	All
	72877	Hydraulic Tappet Body (73061 has puddled iron face)	73061	All
	71791	Hydraulic Tappet Plunger Ass'y.	72876	All
	72876	Hydraulic Tappet Plunger Ass'y.	73062	All
	73062	Hydraulic Tappet Plunger Ass'y. (76290 plunger assembly, obsolete)	76290	All
	76290	Hydraulic Tappet Plunger Ass'y. (78290 is slow leak-down plunger assembly)	78290	All
1-5	66175	Crankshaft and Counterweight Ass'y.	69493	-B Series
	69493	Crankshaft and Counterweight Ass'y. (71700, special to Dornier-Werke installations)	71700	-B1A6
	69493	Crankshaft and Counterweight Ass'y.	75003	-B Series
	69350	Crankshaft and Counterweight Ass'y.	71789	-F6
	71789	Crankshaft and Counterweight Ass'y.	75018	-F6 Series
	69857	Crankshaft and Counterweight Ass'y.	74419	-D1A
1-6	67599	Camshaft Ass'y.	69503	GO-480-B
	69503	Camshaft Ass'y.	71304	-B and -D
	69504	Camshaft Ass'y.	71308	-B and -F6
	71304	Camshaft Ass'y.	77135	-B and -D
	71308	Camshaft Ass'y.	77134	-B and -F6

SECTION II - Reduction Gear Assembly

Page No.	P/N	Nomenclature	Superseded By P/N	Models Affected
2-2	68235	Reduction Gear (Spline)	72146	-B Series
	72146	Reduction Gear (Spline) (72875 has body fit bolts)	72875	-B Series

NOTE: Preceding reduction gear assemblies are studded for Hamilton standard governor.

69062	Reduction Gear (Spline)	72127	-B Series, -D1A, -F2A6
72127	Reduction Gear (Spline) (72879 has body fit bolts)	72879	-B Series, -D1A, -F2A6

NOTE: Preceding reduction gear assemblies are studded for Woodward governor.

67483	Ring Gear Assembly	69727	All
66999	Ring Gear	65970	All
68300	Housing Ass'y. Reduction Gear and Governor	69733	-B Series

NOTE: 69733 is serviced with 69733-S assembly which contains 68087 drive gear plate with attaching parts, including body fit bolts, P/N 68364. Plus, one each 65992, 65993, 65994 and 65995 circlips.

2-3	69346	Reduction Gear (Flange)		-F6 Series excluding -F2A6
-----	-------	-------------------------	--	----------------------------

AVCO LYCOMING AIRCRAFT ENGINE GROUP ASSEMBLY PARTS LIST

SUPERSEDURE SECTION (CONT.)

SECTION II - Reduction Gear Assembly (Cont.)

Page No.	P/N	Nomenclature	Superseded By P/N	Models Affected
NOTE: An optional supersedure of preceding reduction gear can be either 74510 or 74511. Both reduction gears have body fit bolts and are studded for Woodward governor. 74511 is single oil supply, 74510 is dual oil supply.				
2-4	65978	Gear, Stationary (69735 incorporates body fit bolts P/N 68364)	69735	- B Series, - F2A6, -D1A
NOTE: 65978 is still used in flanged type reduction gear assemblies.				
2-4, 2-5	68289	Cage Assembly, Pinion	69876	All
NOTE: See Avco Lycoming Service Instruction No. 1114 for salvage of pinion cage assemblies.				
2-6	67724	Shaft, Propeller (Spline)	72450	- B, -D and - F2A6
NOTE: See Avco Lycoming Service Instruction No. 1108A for prop. shaft salvage by chrome plating.				
2-7	69270	Shaft, Propeller (Flange)	70414	- F6 Series, excluding - F2A6
2-6, 2-7	67731	Sleeve, Prop. Shaft, Seal	72451	- B, -D and - F2A6
	72451	Sleeve, Prop. Shaft, Seal	74337	- B, -D and - F2A6
NOTE: See Avco Lycoming Service Bulletin No. 290 for supersedure information.				
2-7	69267	Sleeve, Prop. Shaft, Seal	72835	- F6 Series
	72835	Sleeve, Prop. Shaft, Seal	69267	Excluding, - F2A6
NOTE: See Avco Lycoming Service Bulletin No. 290 for supersedure information.				
2-6, 2-7	67722	Ring, Prop. Shaft, Seal	72284	All
	72284	Ring, Prop. Shaft, Seal	67722	All
NOTE: For above ring supersedure information see Avco Lycoming Service Bulletin No. 290.				
2-6, 2-7	518	Slinger, Thrust Bearing, Oil	68319	All
2-6, 2-7	67810	Cap Assembly, Thrust Bearing	68322	All
	67811	Cap, Thrust Bearing	68291	All

SECTION III - Accessory Housing Group

Page No.	P/N	Nomenclature	Superseded By P/N	Models Affected
3-2	The following listing of accessory housings does not mean supersedure of one housing for another. It only points out housing differences. Any one housing may be encountered on engines covered in this catalog.			
	68967 - Provision for straight through, high speed, generator drive, and may be modified for electric tachometer.			
	69414 - Provision for low speed generator drive, heavyweight magnetos and SAE tachometer drive.			
	69525 - Provision for dual generator and vacuum pump drives and SAE tachometer drive.			
	69549 - Provision for dual generator and vacuum pump drives, and "AN" electrical tachometer drive.			
	70495 - Provision for lightweight magnetos, may be either impulse coupling or retard breaker, and "AN" tachometer drive.			
	70496 - Provision for lightweight magnetos either impulse coupling or retard breaker and SAE tachometer drive.			
	71262 - Differs from 68967 only in studding for "AN" electrical tachometer drive. However, this housing is an option only on - B Series.			

AVCO LYCOMING AIRCRAFT ENGINE GROUP ASSEMBLY PARTS LIST

SUPERSEDURE SECTION (CONT.)

SECTION IV - Cylinder, Piston and Valve Train

Page No.	P/N	Nomenclature	Superseded By P/N	Models Affected
4-2	67275	Rod, Connecting	78028	- B Series excluding -B1A6 and - F6 Series
	65820	Rod, Connecting	78029	- B1A6, -D1A
	60007	Bolt, Connecting Rod	74667	All
	74667	Bolt, Connecting Rod	78027	All

NOTE: See Avco Lycoming Service Instruction No. 1183 for full connecting rod supersedures.

4-3	69236	Piston, 4 Ring (Supersedure applies to all engines without piston cooling oil squirts but with nitrided rather than plain cylinders)	74242-S, 3 Ring	All
	69236	Piston, 4 Ring (Supersedure applies to chrome cylinders)	73976-S, 5 Ring	All
	73976-S	Piston, 5 Ring (Supersedure applies to plain cylinders, to reduce wash boarding and piston scoring)	69236, 4 Ring	All
	74242-S	Piston, 3 Ring (Supersedure applies for parts standardization to 3 ring pistons. 78762 is completely interchangeable in sets or singles)	78762, 3 Ring	All

4-4 Cylinder Assembly supersedures will be listed by material make up of the cylinder barrel, i. e. : Plain steel, chrome steel and nitrided steel.

PLAIN CYLINDERS

4-4	69363	Cylinder Assembly	69388	All
	NOTE: 69388 had allen cylinder hold down nuts instead of splined nuts.			
	69388	Cylinder Assembly	71175	All
	NOTE: 71175 had sodium cooled valves in place of solid stem.			
	71175	Cylinder Assembly	71859	All
	NOTE: 71859 changed thread fit between head and barrel.			
	71859	Cylinder Assembly	72992	All
	NOTE: 72992 changed from flat to Allison type valve seats.			
	72992	Cylinder Assembly	76552	All
	NOTE: 76552 changed to shell molded heads.			

CHROME PLATED BARRELS

4-4	69364	Cylinder Assembly	69389	All
	NOTE: 69389 went from splined to allen cylinder hold down nuts.			
	69389	Cylinder Assembly	71172	All
	NOTE: 71172 went from solid stem to sodium cooled valves.			
	71172	Cylinder Assembly	71858	All
	NOTE: 71858 changed thread fit between head and barrel.			
	71858	Cylinder Assembly	72991	All

AVCO LYCOMING AIRCRAFT ENGINE GROUP ASSEMBLY PARTS LIST

SUPERSEDURE SECTION (CONT.)

SECTION IV - Cylinder, Piston and Valve Train (Cont.)

Page No.	P/N	Nomenclature	Superseded By P/N	Models Affected
----------	-----	--------------	----------------------	-----------------

CHROME PLATED BARRELS (CONT.)

4-4 (Cont.) NOTE: 72991 went from flat to Allison type valve seats.

	72991	Cylinder Assembly	75397	All
--	-------	-------------------	-------	-----

NOTE: 75397 went to shell molded heads and changed fin stabilizers.

	75397	Cylinder Assembly	75928	All
--	-------	-------------------	-------	-----

NOTE: 75928 went from 7/16 to 1/2 in. stem diameter exhaust valve.

NITRIDED STEEL BARRELS

4-4	72992	Plain Steel Cylinder	75929	All
-----	-------	----------------------	-------	-----

NOTE: 75929 is a nitrided cylinder which standardizes on 1/2 in. stem diameter exhaust valve.

4-5	67518	Valve, Intake	72612	All
-----	-------	---------------	-------	-----

NOTE: 72612 was XBE steel.

	72612	Valve, Intake	73129	All
--	-------	---------------	-------	-----

NOTE: 73129 is XBE steel with flexible head.

	66714	Valve, Exhaust	69334	All
--	-------	----------------	-------	-----

NOTE: 69334 went from solid stem to 7/16 in. stem diameter, sodium cooled.

	69334	Valve Exhaust	71381	All
--	-------	---------------	-------	-----

NOTE: 71381 had improved construction.

	71381	Valve, Exhaust	73111	All
--	-------	----------------	-------	-----

NOTE: 73111 is 1/2 in. stem diameter, sodium cooled exhaust valve.

	69698	Seat, Valve Spring Exhaust	73115	All
--	-------	----------------------------	-------	-----

NOTE: 73115 is for 1/2 in. stem diameter exhaust valve. 69698 is still procurable for 7/16 in. stem diameter exhaust valves.

	72050	Key, Valve Exhaust	MS-13997-3	All
--	-------	--------------------	------------	-----

NOTE: MS-13997-3 is for 1/2 in. stem diameter exhaust valve. 72050 is still procurable for 7/16 in. stem diameter exhaust valve.

	69697	Cap, Valve Stem Exhaust	MS-13998-3	All
--	-------	-------------------------	------------	-----

NOTE: MS-13998-3 is for 1/2 in. stem diameter exhaust valve. 69697 is still procurable for 7/16 in. stem diameter exhaust valve.

4-6	72839	Shroud Tube Assembly	75775	All
-----	-------	----------------------	-------	-----

NOTE: Use 72839 until stock exhausted.

	71135	Rod Assembly, Push	73434	All
	71136	Rod Assembly, Push	73435	All
	71137	Rod Assembly, Push	73436	All

AVCO LYCOMING AIRCRAFT ENGINE GROUP ASSEMBLY PARTS LIST

SUPERSEDURE SECTION (CONT.)

SECTION IV - Cylinder, Piston and Valve Train (Cont.)

Page No.	P/N	Nomenclature	Superseded By P/N	Models Affected
4-7	68806	Shaft, Valve Rocker	72626	All

SECTION V - Ignition Components

Page No.	P/N	Nomenclature	Superseded By P/N	Models Affected
5-4	71490	Harness Assembly, Ignition	71891	- B Series
	71891	Harness Assembly, Ignition	75882	- B Series
	75882	Harness Assembly, Ignition	78544	- B Series
5-9	71890	Harness Assembly, Ignition	75878	- D1A
	75878	Harness Assembly, Ignition	78545	- D1A

SECTION VI - Oil Sump and Induction Group

Page No.	P/N	Nomenclature	Superseded By P/N	Models Affected
6-7	60069	Flange, Intake Pipe Upper	73346	All
	60131	Gasket, 2 Bolt Flange	71973	- B Series

AVCO LYCOMING PARTS CATALOG
GO-480-B, -D AND -F6 SERIES
AIRCRAFT ENGINES

SECTION I

CRANKCASE ASSEMBLY

AVCO LYCOMING PARTS CATALOG

GO-480-B, -D AND -F6 SERIES

SECTION I

CRANKCASE, CRANKSHAFT AND CAMSHAFT

Engine Model	Page Numbers							
	Crankcase 1-2	Mounting Brackets 1-3	Crankcase Related Parts 1-4	Crankshaft 1-5	Camshaft 1-6	Oil Level Gages 1-7	Crankcase Attaching Parts 1-8	
GO-480-B	A	A	A	A	A	A	A	A
GO-480-B1A6	A	A	A	A	A	A	A	A
GO-480-B1B	A	A	A	A	A	A	A	A
GO-480-B1C	A	A	A	A	A	A	A	A
GO-480-B1D	A	A	A	A	A	A	A	A
GO-480-D1A*	B	B	B	B	B			A
GO-480-F6	C	C	C	C	C	C	C	A
GO-480-F1A6	C	C	C	C	C	C	C	A
GO-480-F2A6	C	C	C	C	C	C	C	A
GO-480-F4A6	C	C	C	C	C	C	C	A

* - Crosswise Accessories.

AVCO LYCOMING AIRCRAFT ENGINE GROUP ASSEMBLY PARTS LIST

GO-480-B, -D AND -F6 SERIES
SECTION I
1-2 - CRANKCASE ASSEMBLY

REF. NO.	PART NUMBER	DESCRIPTION					QTY. PER ENG.	MODEL USAGE
		1	2	3	4	5		
1	70376	CRANKCASE ASSEMBLY, Machining					1	A, C
	70364	CRANKCASE ASSEMBLY, Machining					1	B
2	69376	STUD, 1/2-20 x 10-15/64 in. long					4	A, B, C
3	69377	STUD, 1/4-13 x 9-11/16 in. long					4	A, B, C
4	50-14	STUD, 1/2-13 x 1-3/4 in. long					12	A, B, C
5	1025-B	STUD, 3/8-16 x 1-1/2 in. long					24	A, B, C
6	31-13	STUD, 5/16-18 x 1-5/8 in. long					6	A, B, C
7	25-18	STUD, 1/4-20 x 2-1/4 in. long					2	A, C
8	25-11	STUD, 1/4-20 x 1-3/8 in. long					6	B
9	38D-19	STUD, Drilled, 3/8-16 x 1-1/2 in. long					1	A, B, C
10	38-16	STUD, 3/8-16 x 2.00 in. long					8	A, B, C
11	25-11	STUD, 1/4-20 x 1-3/8 in. long					2	A, C
12	25-16	STUD, 1/4-20 x 2.00 in. long					3	A, C
13	25-10	STUD, 1/4-20 x 1-1/4 in. long					1	A, B, C
14	STD-1623	INSERT, Heli-coil, 1/4-20 x 3/8 in. long					1	A, B, C
15	STD-1315	INSERT, Heli-coil, 1/4-28 x 1/2 in. long, Not Ill.					17	A, B, C
16	1102	PLUG, Allen, 1/8-27 NPT					4	A, B, C
17	STD-783	PLUG, Allen, 1/4-18 NPT					1	A, B, C
18	66145	DOWEL, 1/4 dia. x 1/2 in. long					2	A, C
	69580	DOWEL, 5/16 dia. x 5/8 in. long					2	B
19	69861	DOWEL, Oil transfer					1	A, B, C
20	69796	DOWEL, Crankshaft bearing					8	A, B, C
21	STD-557	DOWEL, 1/2 dia. x 11/16 in. long, hollow					2	A, B, C
22	65007	RETAINER, Shroud tube and seal					12	A, B, C

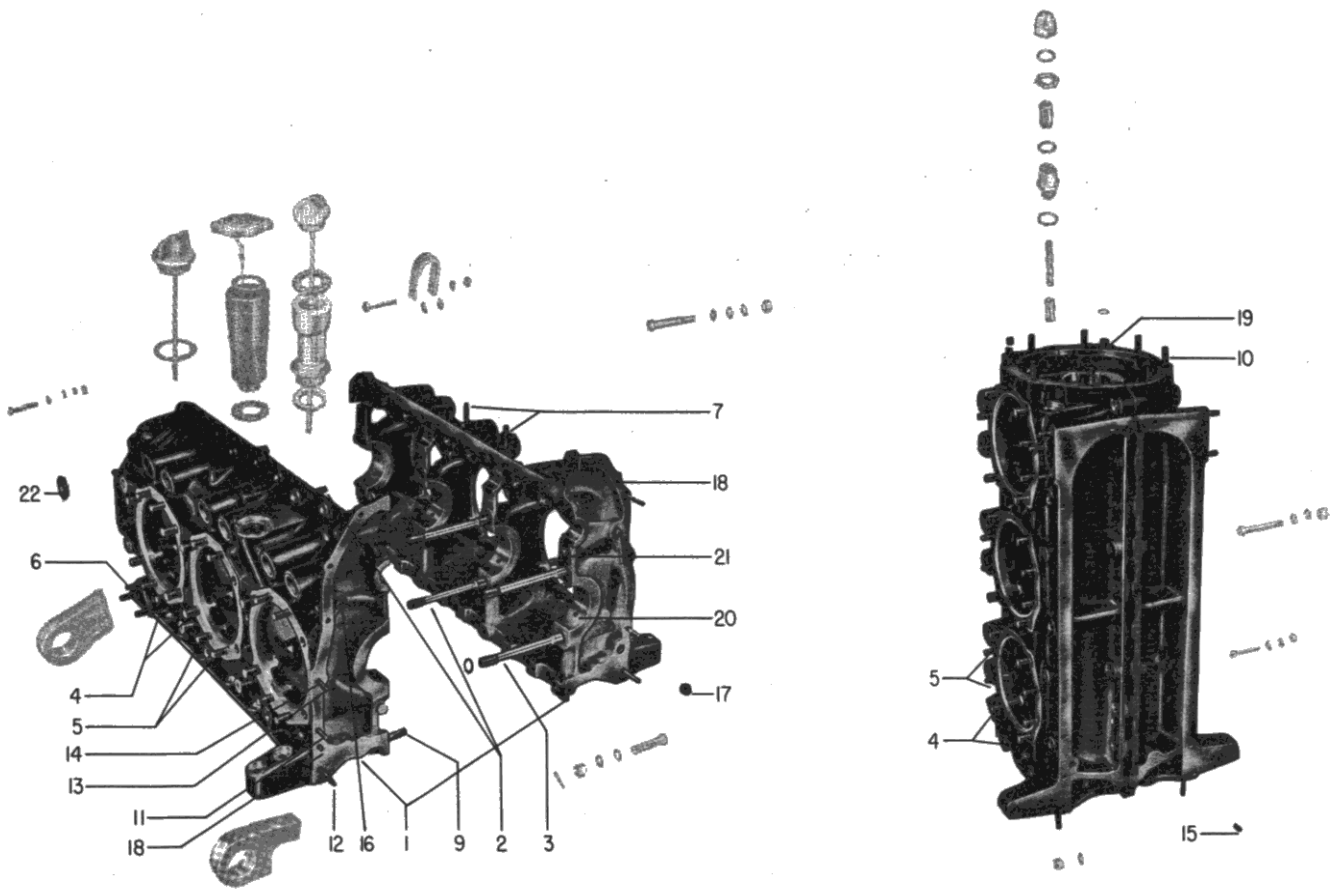


Figure 1 - Crankcase Assembly.

AVCO LYCOMING AIRCRAFT ENGINE GROUP ASSEMBLY PARTS LIST

GO-480-B, -D AND -F6 SERIES
SECTION I (CONT.)
1-3 - ENGINE MOUNTING BRACKETS

REF. NO.	PART NUMBER	DESCRIPTION					QTY. PER ENG.	MODEL USAGE
		1	2	3	4	5		
1	66955	BRACKET, Engine support, rear					2	A, C
2	66956	BRACKET, Engine support, front					2	A, C
3	69701	BRACKET, Engine mount, front					2	B
4	70337	BRACKET ASSEMBLY, Engine mount, rear					2	B
5	38-21	STUD, 3/8-16 x 2-5/8 in. long					2	B
6	38-23	STUD, 3/8-16 x 2-7/8 in. long					2	B
7	70446	BRACKET, Engine mount, front					2	*
8	STD-35	WASHER, Plain, 5/16 in.					6	*
9	STD-616	NUT, Self-locking 5/16-24					6	*
10	70450	BRACKET ASSEMBLY, Engine mount, right rear					1	*
11	STD-1171	INSERT, Heli-coil, 3/8-16 x 3/4 in. long					2	*
12	38-22	STUD, 3/8-16 x 2-3/4 in. long					2	*
13	70451	BRACKET ASSEMBLY, Engine mount, left rear					1	*
14	STD-33	WASHER, Plain, 3/8 in.					6	*
15	AN6-27A	BOLT, Hex. hd., 3/8-24 x 2-61/64 in. long					2	*
16	STD-617	NUT, Self-locking, 3/8-24					4	*

* - Optional engine mountings for Beech installations only, not illustrated.

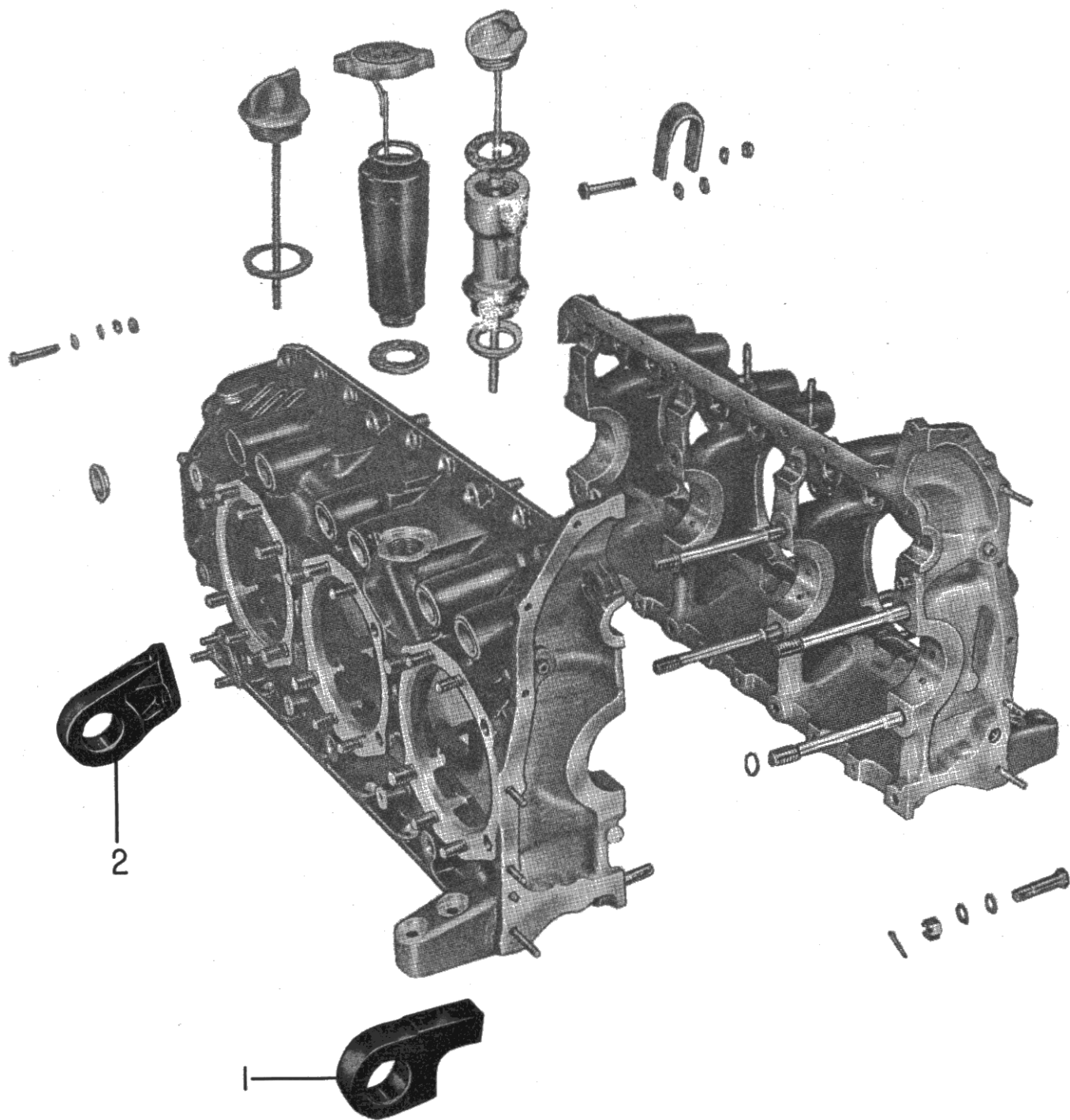


Figure 2 - Mounting Brackets

AVCO LYCOMING AIRCRAFT ENGINE GROUP ASSEMBLY PARTS LIST

GO-480-B, -D AND -F6 SERIES
SECTION I (CONT.)
1-4 - CRANKCASE RELATED PARTS

REF. NO.	PART NUMBER	DESCRIPTION					QTY. PER ENG.	MODEL USAGE
		1	2	3	4	5		
1	67447	BEARING, Crankshaft, See figure 4.					8	A, B, C
2	73061	BODY, Hydraulic tappet					12	A, B, C*
3	78290	PLUNGER ASSEMBLY, Hydraulic tappet					12	A, B, C*
4	65074	SOCKET, Push rod, hydraulic tappet					12	A, B, C*
5	60080	PLUNGER, Oil relief					1	A, C
6	66920	SPRING, Oil pressure, relief					1	A, C
7	STD-589	GASKET, 1-1/8 OD x 29/32 ID x 1/16 in.					1	A, C
8	68048	PLUG, Oil relief					1	A, C
9	74595	SCREW, Oil relief valve, adjusting					1	A, C
10	STD-351	GASKET, 3/4 ID x 3/32 annular					2	A, C
11	662	NUT, Relief valve adjusting, lock					1	A, C
12	67940	NUT, Oil relief, crown					1	A, C

* - Illustrated on page 1-5, figure 4.

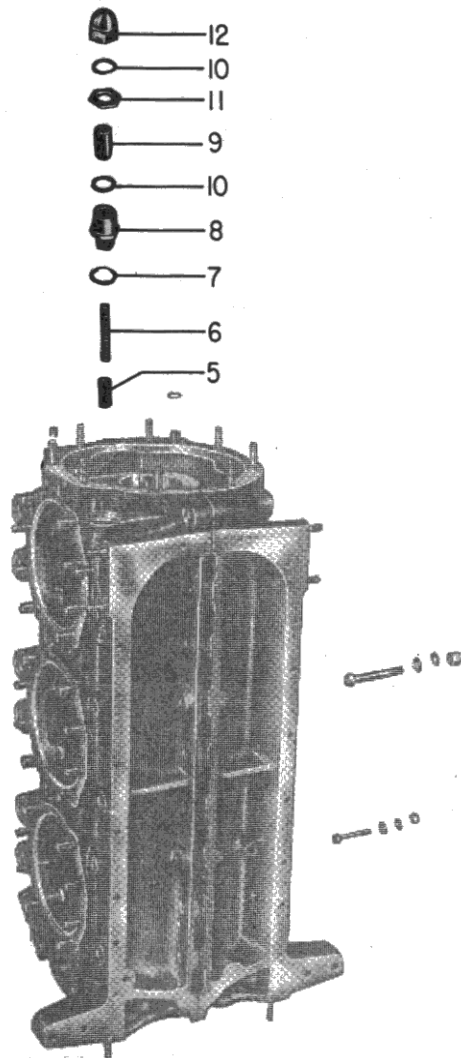


Figure 3 - Crankcase Related Parts

AVCO LYCOMING AIRCRAFT ENGINE GROUP ASSEMBLY PARTS LIST

GO-480-B, -D AND -F6 SERIES
SECTION I (CONT.)
1-5 - CRANKSHAFT ASSEMBLY

REF. NO.	PART NUMBER	1	2	3	4	5	DESCRIPTION	QTY. PER ENG.	MODEL USAGE
1	75003						CRANKSHAFT AND COUNTERWEIGHT ASSEMBLY	1	A
	74419						CRANKSHAFT AND COUNTERWEIGHT ASSEMBLY	1	B
	75018						CRANKSHAFT AND COUNTERWEIGHT ASSEMBLY	1	C
2	73810						BUSHING, Crankshaft, dynamic counterweight	12	A, B, C
3	65519						BUSHING, Crankshaft, front	1	A, B, C
4	72308						BUSHING, Rear crankshaft spline	1	B
5	69641						DOWEL, Rear crankshaft spline bushing	3	B
6	71904						COUNTERWEIGHT ASSEMBLY	6	A, B
	71904						COUNTERWEIGHT ASSEMBLY	5	C
7	71905						COUNTERWEIGHT ASSEMBLY, Light	1	C
8	69433						ROLLER, Dynamic counterweight, 3rd order	12	A, B
	69433						ROLLER, Dynamic counterweight, 3rd order	10	C
9	70416						ROLLER, Dynamic counterweight	2	C
10	71906						RING, Internal retaining	24	A, B, C
11	71907						WASHER, Dynamic counterweight	24	A, B, C
12	STD-858						KEY, Woodruff, special, 5/32 in. x 5/8 in.	1	A, B, C
13	65377						GEAR, Crankshaft timing	1	A, C
	67687						GEAR, Crankshaft timing	1	B
14	60630						PLATE, Crankshaft gear, lock	1	A, C
	67204						PLATE, Crankshaft gear, lock	1	B
15	60629						NUT, Crankshaft gear retaining	1	A, C
	67688						NUT, Crankshaft gear retaining	1	B
16	60733						SHIM, 1-1/8 OD x 11/32 ID x 0.005 in. thick	AR	A, C
17	70487						JAW, Starter	1	A, C
18	60644						LOCKPLATE, Starter jaw	1	A, C
19	60643						PIN, Starter jaw	1	A, C
20	STD-856						SCREW, Hex. hd., 5/16-24 x 15/16 in. long	1	A, C
21	45226						TUBE, Crankshaft oil, front	6	*
22	60448						TUBE, Crankshaft oil, end	1	*
23	71695						PLUG, Crankshaft oil, front	1	*

* - These parts are being maintained in stock for crankshaft assemblies employing sludge tubes.

AVCO LYCOMING AIRCRAFT ENGINE GROUP ASSEMBLY PARTS LIST

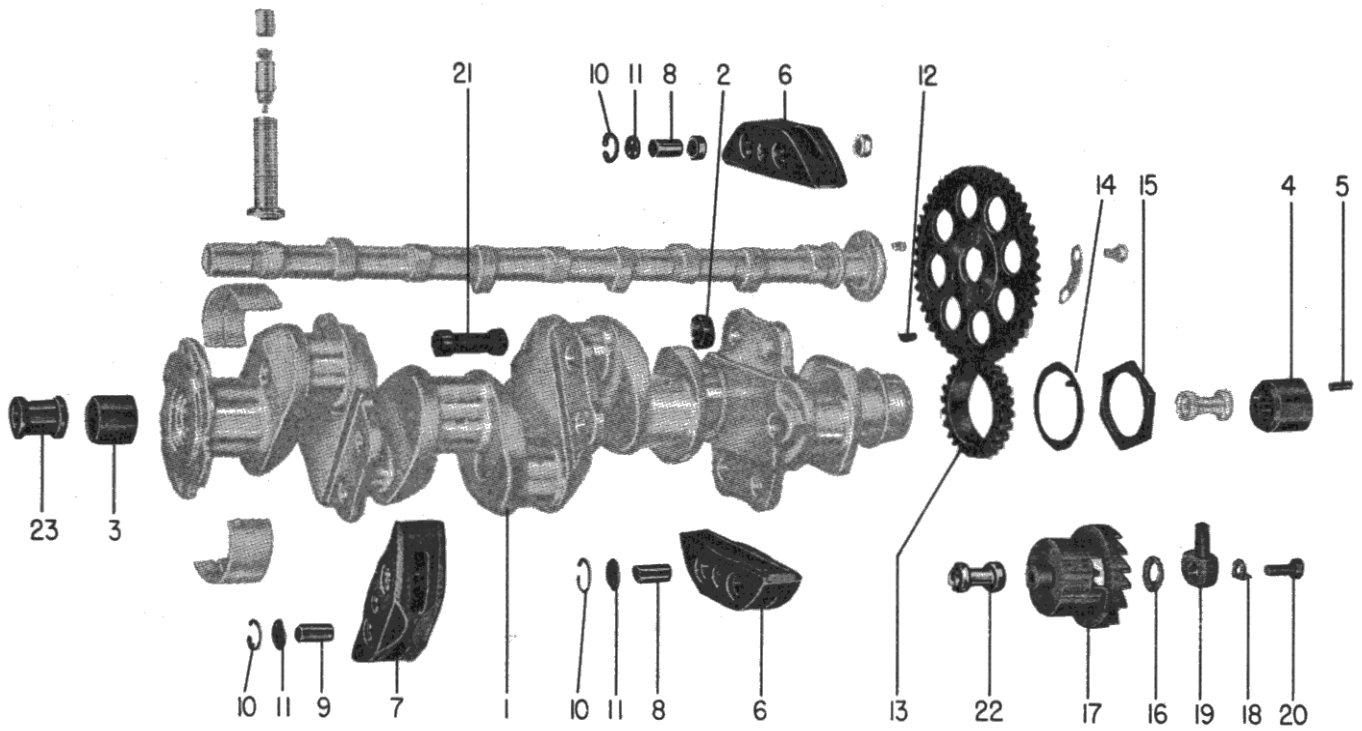


Figure 4 - Crankshaft Assembly

AVCO LYCOMING AIRCRAFT ENGINE GROUP ASSEMBLY PARTS LIST

GO-480-B, -D AND -F6 SERIES
SECTION I (CONT.)
1-6 - CAMSHAFT ASSEMBLY

REF. NO.	PART NUMBER	DESCRIPTION					QTY. PER ENG.	MODEL USAGE
		1	2	3	4	5		
1	77135						1	A, B
	77134						1	C
2	STD-1066						1	A, B
	STD-1065						1	C
3	68682						1	A
	69662						1	B
	67477						1	C
4	STD-679						4	A, B
	STD-703						4	C
5	72078						2	A, B, C

Items 3 thru 5 are illustrated in Fig. 16, Page 3-3.

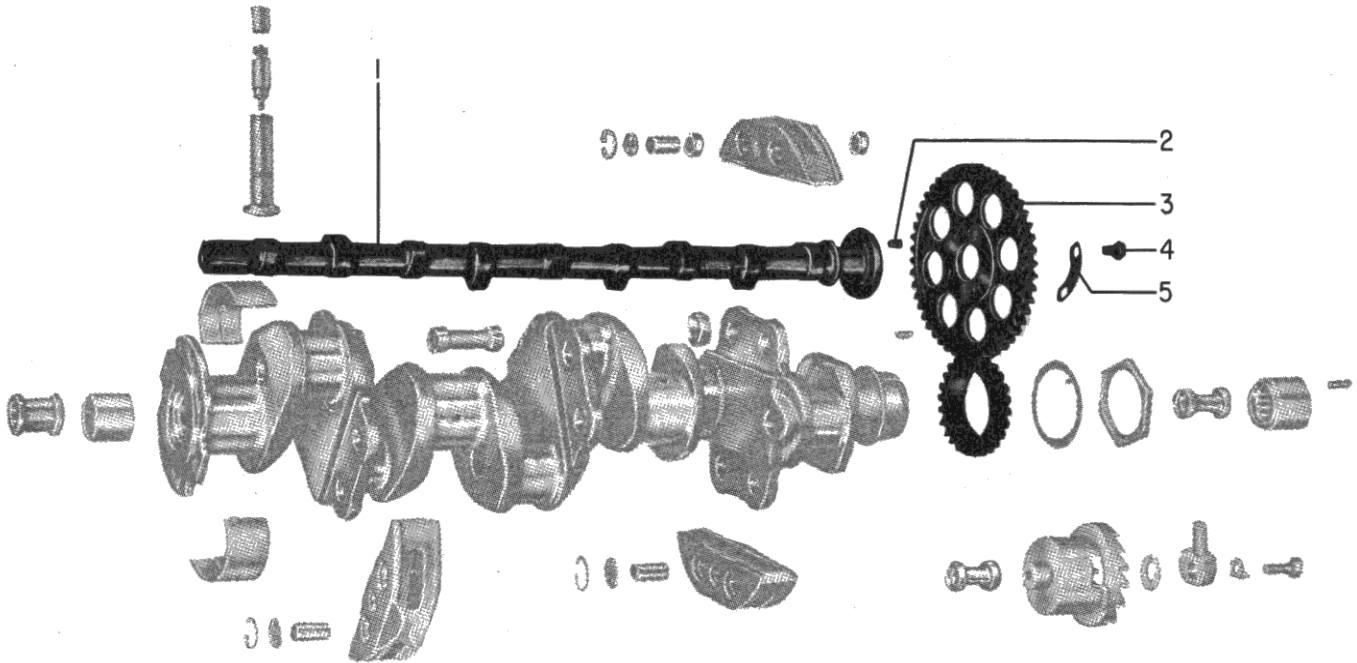


Figure 5 - Camshaft Assembly

AVCO LYCOMING AIRCRAFT ENGINE GROUP ASSEMBLY PARTS LIST

GO-480-B, -D AND -F6 SERIES
SECTION I (CONT.)
1-7 - OIL LEVEL GAGE ASSEMBLIES

REF. NO.	PART NUMBER	DESCRIPTION					QTY. PER ENG.	MODEL USAGE
		1	2	3	4	5		
1	70457						1	A, C
2	68982						1	A
	69923						1	C
3	66942						1	C
4	72220						1	C
5	72855						1	C
6	69922						1	C
	68983						1	A
7	72857						1	A

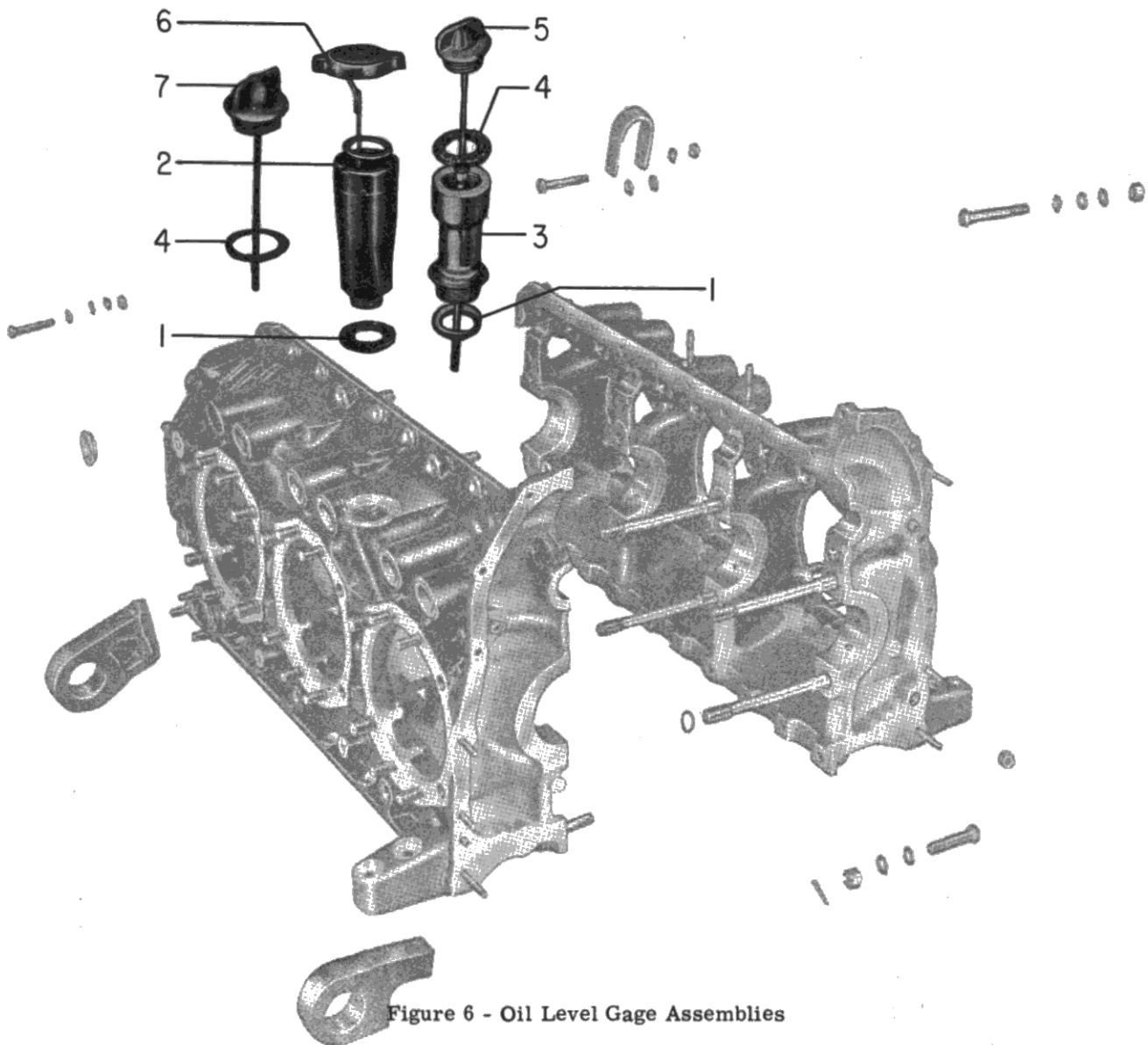


Figure 6 - Oil Level Gage Assemblies

AVCO LYCOMING AIRCRAFT ENGINE GROUP ASSEMBLY PARTS LIST

GO-480-B, -D AND -F6 SERIES
SECTION I (CONT.)
1-8 - CRANKCASE ATTACHING PARTS

REF. NO.	PART NUMBER	DESCRIPTION					QTY. PER ENG.	MODEL USAGE
		1	2	3	4	5		
1	72075	SEAL, Oil, 3/32 dia. section x 15/32 ID					8	A
2	AN6-16	BOLT, Hex. hd., drilled shank, 3/8-24 x 1-53/64 in. long					1	A
3	AN6-24	BOLT, Hex. hd., drilled shank, 3/8-24 x 2-37/64 in. long					2	A
4	AN6-21A	BOLT, Hex. hd., 3/8-24 x 2-13/64 in. long					4	A
5	STD-33	WASHER, Plain, 3/8 in.					15	A
6	STD-872	NUT, Slotted, 3/8-24					4	A
7	STD-713	PIN, 3/32 dia. x 3/4 in. long					1	A
8	STD-678	WASHER, Internal lock, 3/8 in.					4	A
9	STD-596	NUT, Plain, 3/8-24					4	A
10	60803	STRAP, Lifting					2	A
11	AN4-15A	BOLT, Hex. hd., 1/4-28 x 1-21/32 in. long					2	A
12	AN4-12A	BOLT, Hex. hd., 1/4-28 x 1-9/32 in. long					5	A
13	AN4-16	BOLT, Hex. hd., 1/4-28 x 1-25/32 in. long					6	A
14	STD-8	WASHER, Plain, 1/4 in.					26	A
15	STD-160	WASHER, Internal lock, 1/4 in.					7	A
16	STD-9	NUT, Plain, 1/4-28					7	A
17	STD-97	NUT, Slotted, 1/4-28					6	A

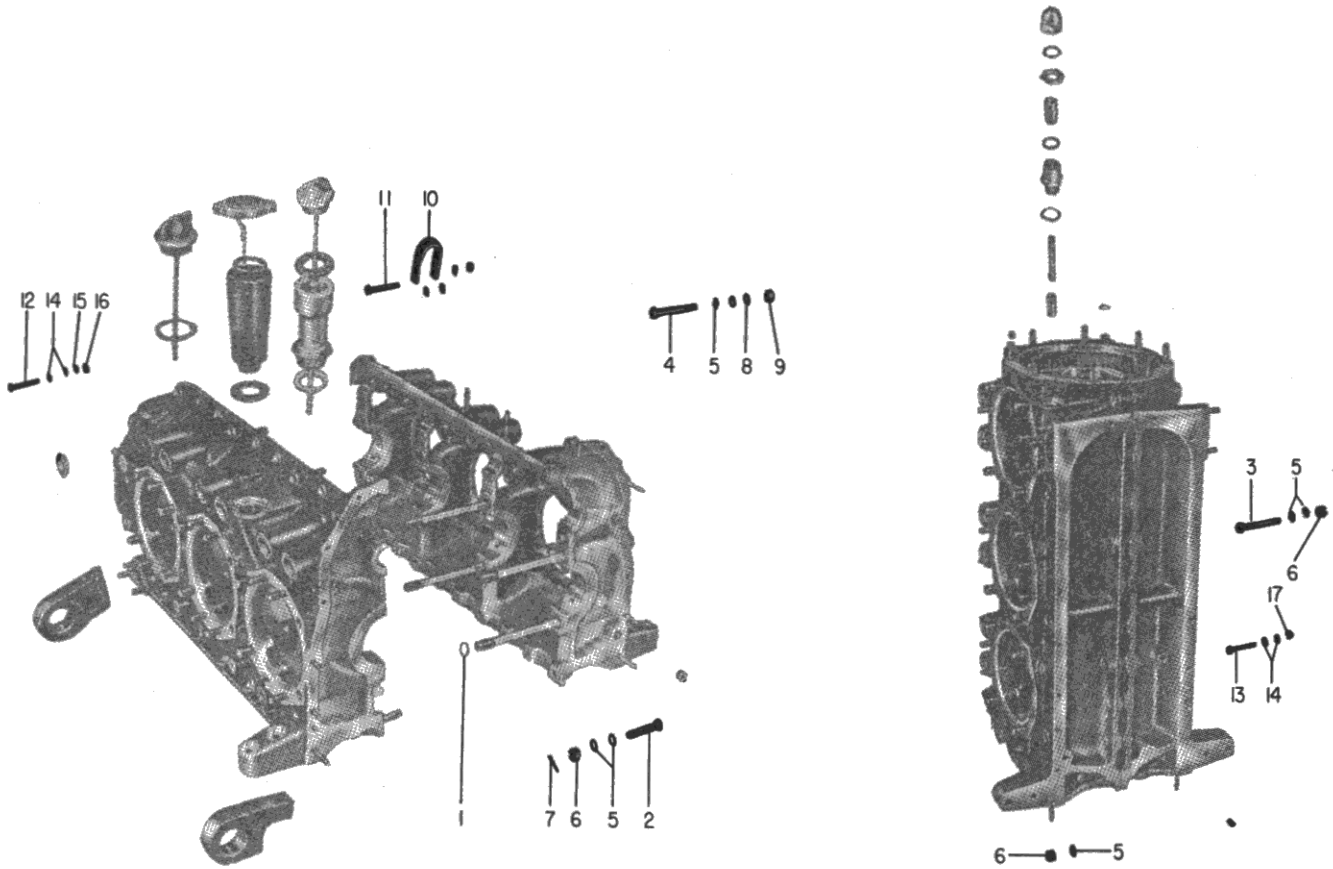


Figure 7 - Crankcase Attaching Parts

AVCO LYCOMING PARTS CATALOG
GO-480-B, -D AND -F6 SERIES

SECTION II

REDUCTION GEAR ASSEMBLY

AVCO LYCOMING PARTS CATALOG

GO-480-B, -D AND -F6 SERIES

SECTION II

REDUCTION GEAR ASSEMBLY

Page Numbers

Engine Model	Reduction Gear Assembly (Splines) 2-2	Reduction Gear Assembly (Flange) 2-3	Stationary Gear Pinion Cage (Splines) 2-4	Stationary Gear Pinion Cage (Flange) 2-5	Propeller Shaft Thrust Bearing (Splines) 2-6	Propeller Shaft Thrust Bearing (Flange) 2-7	Governor Drives and Adapter (Both) 2-8
GO-480-B	A, B		A, B		A, B		A
GO-480-B1A6	A, B		A, B		A, B		A
GO-480-B1B	A, B		A, B		A, B		A
GO-480-B1C	A, B		A, B		A, B		A
GO-480-B1D	A, B		A, B		A, B		A
GO-480-D1A	B		A, B		A, B		B
GO-480-F6		C		C		C	C
GO-480-F1A6		C		C		C	C
GO-480-F2A6	B		A, B		A, B		B
GO-480-F4A6		C		C		D*	C

* - Propeller Shaft used for installation of Hartzell propeller.

AVCO LYCOMING AIRCRAFT ENGINE GROUP ASSEMBLY PARTS LIST

GO-480-B, -D AND -F6 SERIES
SECTION II
2-2 - REDUCTION GEAR ASSEMBLY
(SPLINE TYPE)

REF. NO.	PART NUMBER	DESCRIPTION					QTY. PER ENG.	MODEL USAGE
		1	2	3	4	5		
1	74822	GASKET, Reduction gear housing, Not Ill.					1	A, B
2	STD-994	RING, Oil seal, 1/2 in. ID x 3/32 dia. , Not Ill.					1	A, B
3	72785	GEAR ASSEMBLY, Reduction					1	A
	72879	GEAR ASSEMBLY, Reduction					1	B See note
4	69727	GEAR ASSEMBLY, Ring, Not Ill.					1	A, B
5	65970	GEAR, Ring					1	A, B
6	67388	PLATE, Ring gear drive					1	A, B
7	66049	CIRCLIP, Ring gear					AR	A, B
	66050	CIRCLIP, Ring gear					AR	A, B
	66051	CIRCLIP, Ring gear					AR	A, B
8	65973	LOCKRING, Gear circlip					1	A, B
9	STD-1017	RIVET, 3/32 dia. x 3/8 in. long					1	A, B
10	69733	HOUSING ASSEMBLY, Reduction gear and gov.					1	A, B
11	69734	HOUSING, Reduction gear and governor					1	A, B
12	67733	SLEEVE, Reduction gear housing					1	A, B
13	STD-798	DOWEL, 3/32 dia. x 9/32 in. long					1	A, B
14	38-17	STUD, 3/8-16 x 2-1/8 in. long					6	A, B
15	1102	PLUG, Allen head, 1/8-27 NPT					1	A, B
16	STD-1021	DOWEL, 3/16 dia. x 5/8 in. long					1	A, B
17	25-10	STUD, 1/4-20 x 1-1/4 in. long					6	A, B
18	STD-1736	PIN, 0.158 dia. x 23/64 in. long					1	A, B
19	72157	BUSHING, Governor drive, rear					1	A, B
20	72158	BUSHING, Governor drive, front					1	A, B

NOTE

Above parts marked B are also applicable to
GO-480-F2A6.

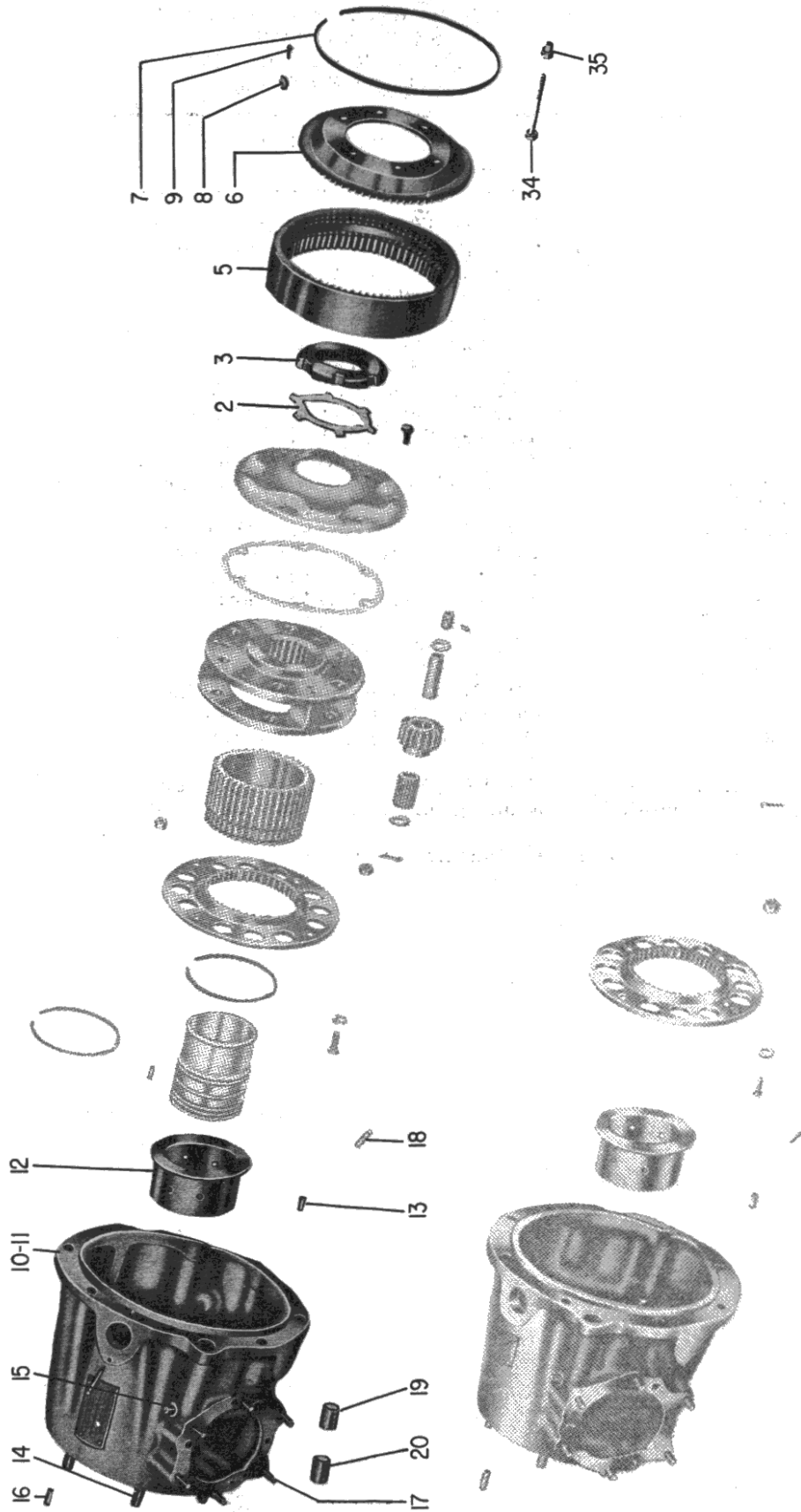


Figure 8 - Reduction Gear Assembly (Spline Type)

AVCO LYCOMING AIRCRAFT ENGINE GROUP ASSEMBLY PARTS LIST

GO-480-B, -D AND -F6 SERIES
SECTION II (CONT.)
2-3 - REDUCTION GEAR ASSEMBLY
(FLANGED TYPE)

REF. NO.	PART NUMBER	DESCRIPTION					QTY. PER ENG.	MODEL USAGE
		1	2	3	4	5		
1	74822	GASKET, Reduction gear housing					1	C
2	STD-994	RING, Oil seal, 1/2 in. OD x 3/32 in. dia.					1	C
3	69346	GEAR ASSEMBLY, Reduction					1	C*
4	69727	GEAR ASSEMBLY, Ring					1	C
5	65970	GEAR, Ring					1	C
6	67388	PLATE, Ring gear drive					1	C
7	66049	CIRCLIP, Ring gear					AR	C
	66050	CIRCLIP, Ring gear					AR	C
	66051	CIRCLIP, Ring gear					AR	C
8	65973	LOCKRING, Gear circlip					1	C
9	STD-1017	RIVET, 3/32 in. dia. x 3/8 in. long					1	C
10	69273	HOUSING ASSEMBLY, Reduction gear and governor					1	C
11	69265	SLEEVE, Reduction gear housing					1	C
12	STD-859	DOWEL, 1/8 in. dia. x 9/32 in. long					1	C
13	68321	STUD, 5/16-18 x 1-29/64 in. long					4	C**
14	38-17	STUD, 3/8-16 x 2-1/8 in. long					6	C
15	25-10	STUD, 1/4-20 x 1-1/4 in. long					6	C
16	STD-1021	DOWEL, 3/16 dia. x 5/8 in. long					1	C
17	1102	PLUG, Allen, 1/8-27 NPT					1	C
18	STD-1736	PIN, .158 to .159 dia. x 3/8 in. long					1	C
19	71235	DOWEL, Stationary gear drive plate					2	C**
20	72157	BUSHING, Governor drive, rear					1	C
21	72158	BUSHING, Governor drive, front					1	C

* - Reduction gear assemblies, 74510 and 74511, which incorporate body fit bolts are available from Avco Lycoming. Consult Avco Lycoming Service Instruction No. 1117 for full details.

** - Parts marked in this manner are eliminated when body fit bolts are used.

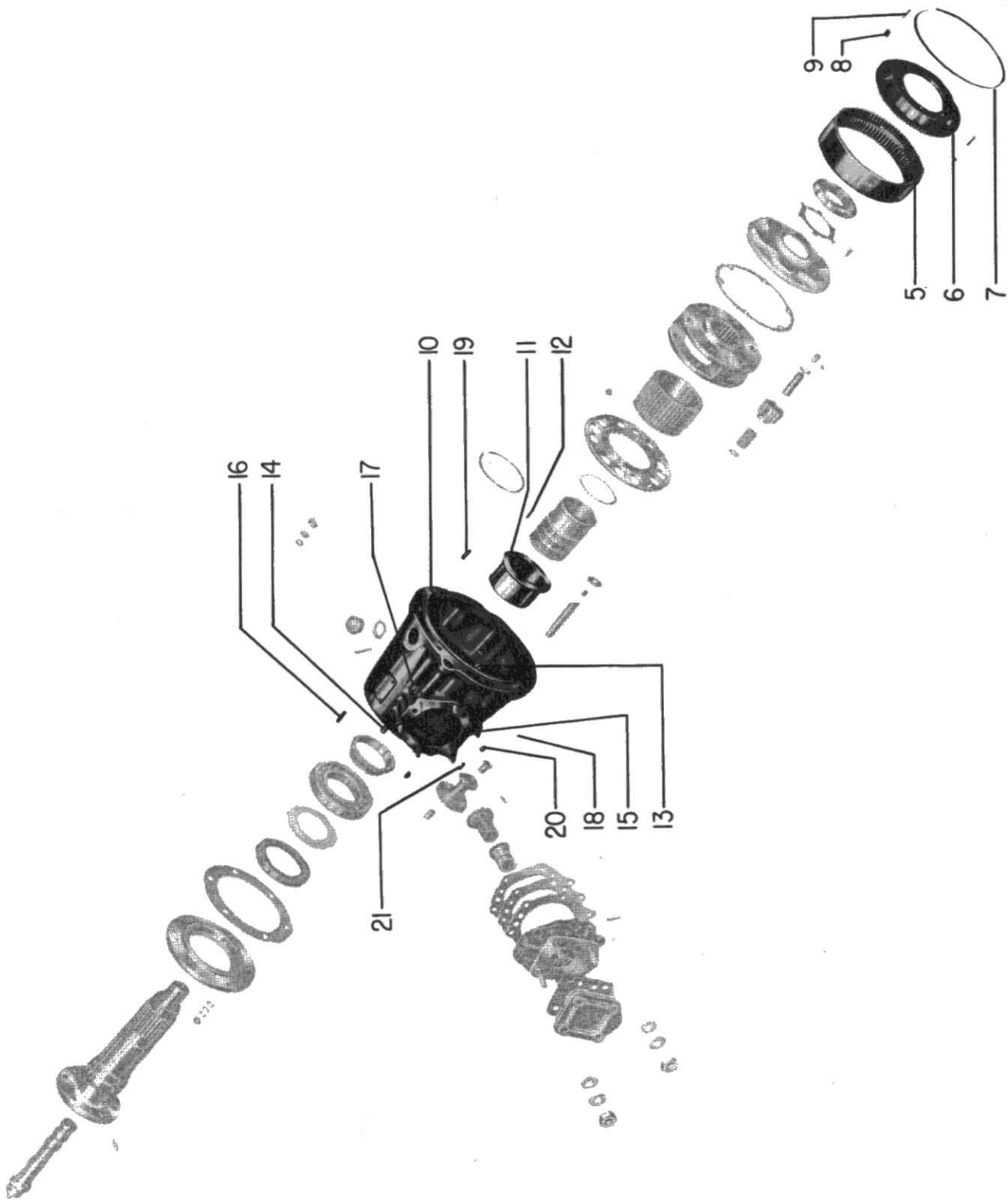


Figure 9 - Reduction Gear Assembly (Flange Type)

AVCO LYCOMING AIRCRAFT ENGINE GROUP ASSEMBLY PARTS LIST

GO-480-B, -D AND -F6 SERIES

SECTION II (CONT.)

2-4 - STATIONARY GEAR AND PINION CAGE (SPLINE PROPELLER SHAFT)

REF. NO.	PART NUMBER	DESCRIPTION					QTY. PER ENG.	MODEL USAGE
		1	2	3	4	5		
1	69735						1	A, B See note
2	65979						1	A, B
3	68087						1	A, B
4	65992						AR	A, B
	65993						AR	A, B
	65994						AR	A, B
	65995						AR	A, B
5	STD-35						4	A, B
6	68364						4	A, B
7	STD-1013						4	A, B
8	STD-68						4	A, B
9	69876						1	A, B
10	68297						1	A, B
11	65986						6	A, B
12	65987						6	A, B
13	66052						6	A, B
14	65985						102	A, B
15	75649						12	A, B
16	67393						6	A, B
17	67914						1	A, B
18	68293						1	A, B
19	STD-1016						6	A, B

NOTE

All above parts are applicable to GO-480-F2A6 model engines.

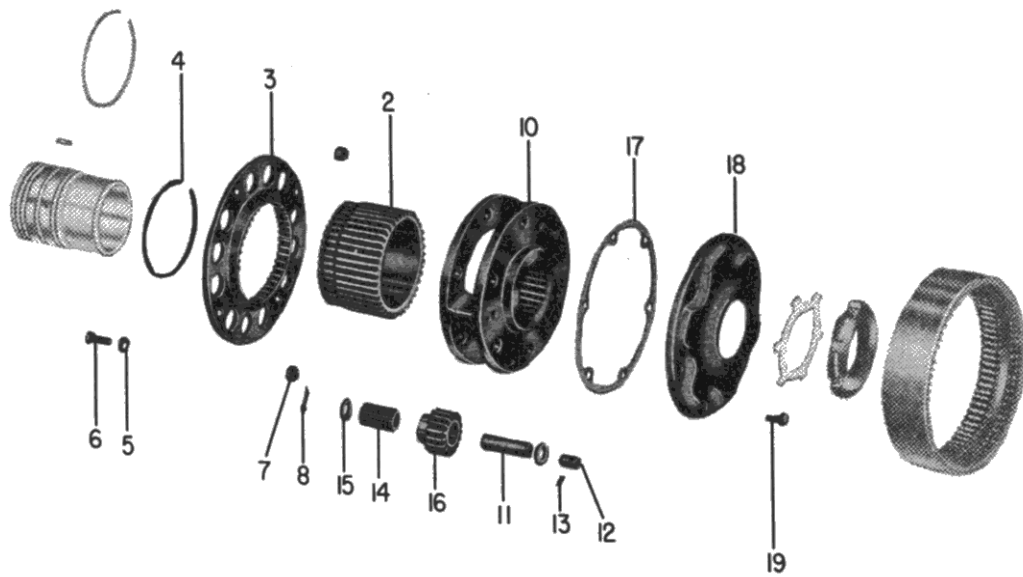


Figure 10 - Stationary Gear and Pinion Cage Ass'y.
(Spline Type)

AVCO LYCOMING AIRCRAFT ENGINE GROUP ASSEMBLY PARTS LIST

GO-480-B, -D AND -F6 SERIES

SECTION II (CONT.)

2-5 - STATIONARY GEAR AND PINION CAGE (FLANGED PROPELLER SHAFT)

REF. NO.	PART NUMBER	DESCRIPTION					QTY. PER ENG.	MODEL USAGE
		1	2	3	4	5		
1	65978						1	C*
2	65979						1	C
3	65980						1	C
4	65992						AR	C
	65993						AR	C
	65994						AR	C
	65995						AR	C
5	STD-1013						4	C
6	69876						1	C*
7	68297						1	C
8	65986						6	C
9	65987						6	C
10	66052						6	C
11	65985						102	C
12	75649						12	C
13	67393						6	C
14	67914						1	C
15	68293						1	C
16	STD-1016						6	C

* - Not illustrated.

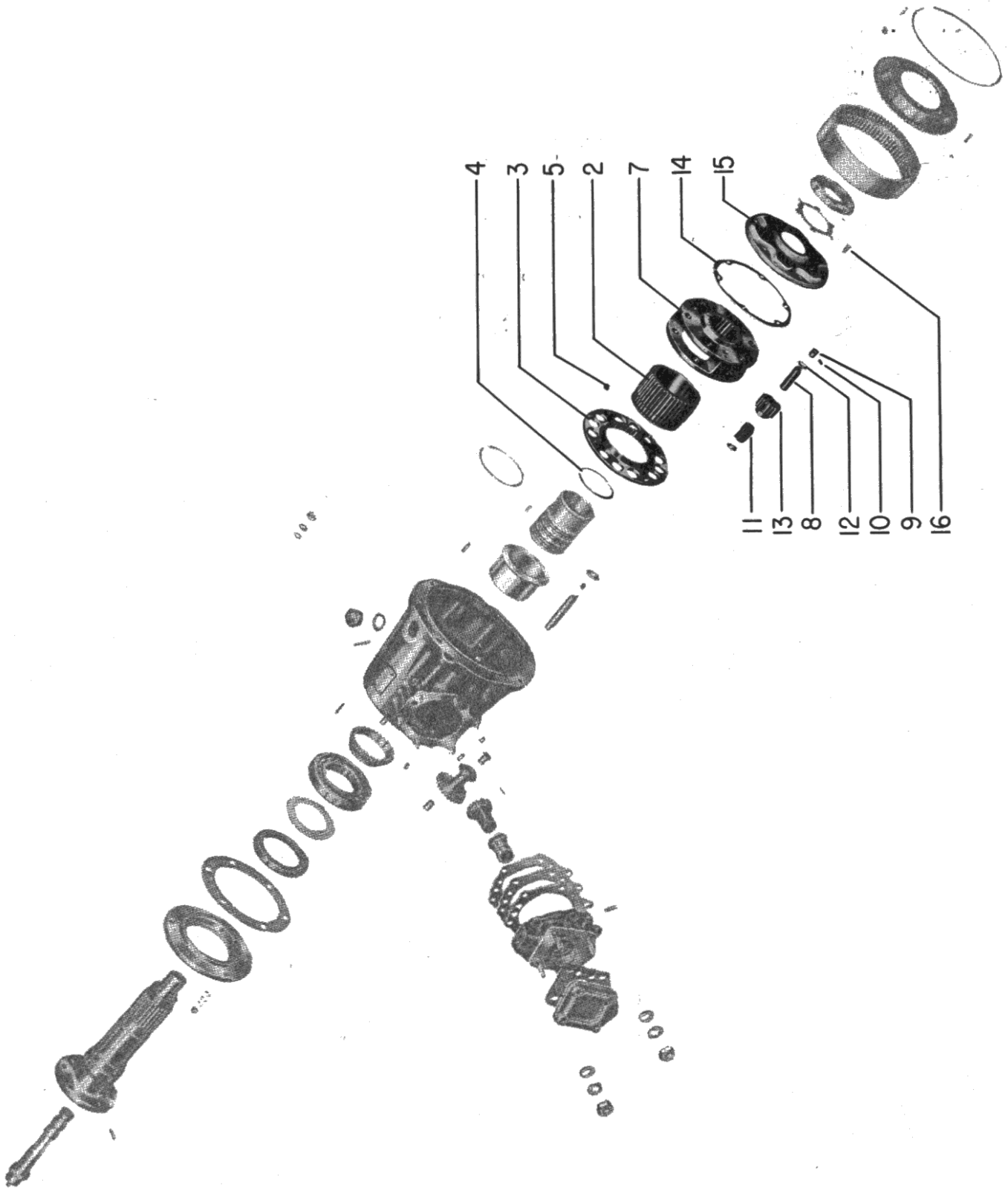


Figure 11 - Stationary Gear and Pinion Cage Ass'y.
(Flange Type)

AVCO LYCOMING AIRCRAFT ENGINE GROUP ASSEMBLY PARTS LIST

GO-480-B, -D AND -F6 SERIES
SECTION II (CONT.)

2-6 - PROPELLER SHAFT AND THRUST BEARING (SPLINE PROPELLER SHAFT)

REF. NO.	PART NUMBER	DESCRIPTION					QTY. PER ENG.	MODEL USAGE
		1	2	3	4	5		
1	72450						1	A, B See note
2	74203						1	A, B
3	74204						1	A, B
4	STD-95						1	A, B
5	69258						1	A, B
6	74337						1	A, B
7	67722						8	A, B
8	65366						1	A, B
9	68319						1	A, B
10	65030						1	A, B
11	68322						1	A, B
12	68291						1	A, B
13	40507						1	A, B
14	STD-33						6	A, B
15	511						12	A, B
16	STD-1695						6	A, B

NOTE

All parts listed above are applicable to GO-480-F2A6 model engines.

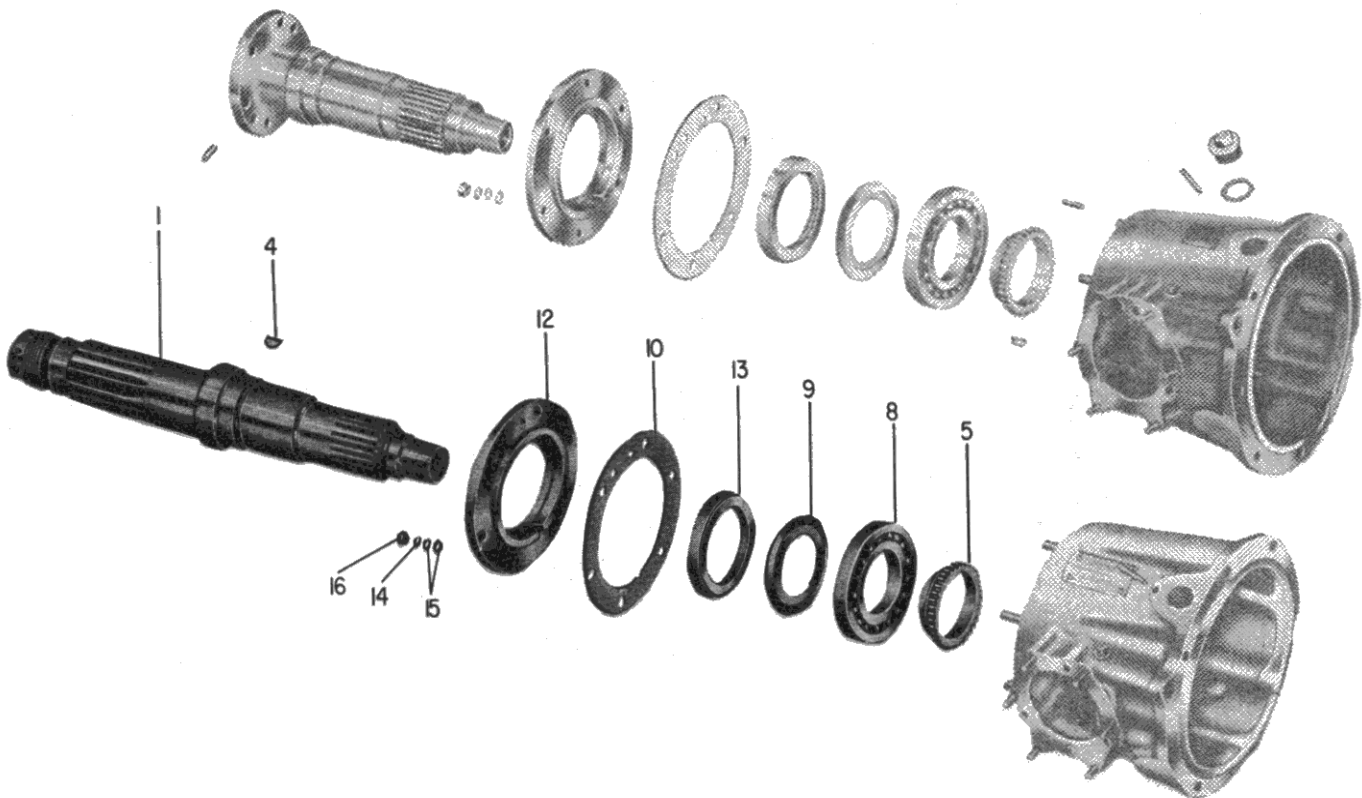


Figure 12 - Propeller Shaft and Thrust Bearing Cap
(Spline Type)

AVCO LYCOMING AIRCRAFT ENGINE GROUP ASSEMBLY PARTS LIST

GO-480-B, -D AND -F6 SERIES

SECTION II (CONT.)

2-7 - PROPELLER SHAFT AND THRUST BEARING (FLANGED PROPELLER SHAFT)

REF. NO.	PART NUMBER	DESCRIPTION					QTY. PER ENG.	MODEL USAGE
		1	2	3	4	5		
1	69270						1	C
	70414						1	D
2	70415						1	C, D
3	69269						1	C
4	STD-120						2	C
5	70413						1	D
6	STD-1392						1	D
7	STD-1340						1	C
8	74203						1	C, D
9	74204						1	C, D
10	STD-95						1	C, D
11	69258						1	C, D
12	69267						1	C, D
13	67722						12	C, D
14	65366						1	C, D
15	68319						1	C, D
16	65030						1	C, D
17	68322						1	C, D
18	68291						1	C, D
19	40507						1	C, D
20	511						12	C, D
21	STD-33						6	C, D
22	STD-1695						6	C, D

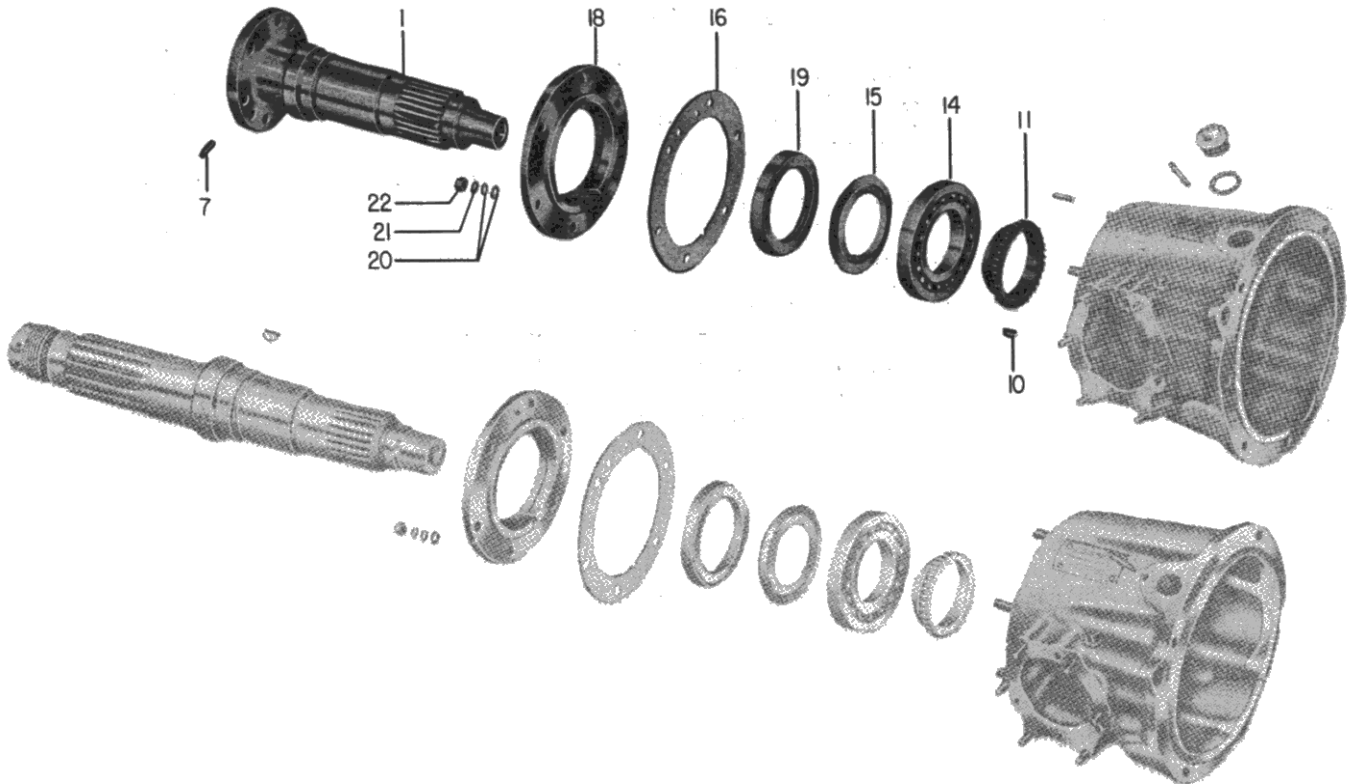


Figure 13 - Propeller Shaft and Thrust Bearing Cap (Flange Type)

AVCO LYCOMING AIRCRAFT ENGINE GROUP ASSEMBLY PARTS LIST

GO-480-B, -D AND -F6 SERIES
SECTION II (CONT.)
2-8 - GOVERNOR DRIVES AND GOVERNOR DRIVE ADAPTER
(SPLINE AND FLANGED PROP. SHAFT)

REF. NO.	PART NUMBER	DESCRIPTION	QTY. PER ENG.	MODEL
				USAGE
1	68030	GEAR ASSEMBLY, Governor drive idler	1	A, B, C
2	68032	BUSHING, Governor drive idler	1	A, B, C
3	68033	BUSHING, Governor drive idler, thrust	1	A, B, C
4	STD-798	DOWEL, 3/32 in. x 9/32 in. long	2	A, B, C
5	68044	WASHER, Governor drive idler thrust	AR	A, B, C
6	68045	WASHER, Governor drive idler thrust	AR	A, B, C
7	68046	WASHER, Governor drive idler thrust	AR	A, B, C
8	72588	SHAFT ASSEMBLY, Governor drive idler	1	A, B, C
9	72589	SHAFT, Governor drive idler	1	A, B, C*
10	STD-120	PLUG, Slotted 5/16-18 x 5/16 in. long	1	A, B, C
11	71210	GASKET, Governor drive adapter	2	A, B, C
12	69278	SHIM, Governor drive adapter	1	A, B, C
13	69290	ADAPTER ASSEMBLY, Governor drive	1	A
	69291	ADAPTER ASSEMBLY, Governor drive	1	B
	69276	ADAPTER ASSEMBLY, Governor drive	1	C
14	1102	PLUG, Allen, 1/8-27 NPT	3	A, B
	1102	PLUG, Allen, 1/8-27 NPT	5	C
15	68041	BUSHING, Governor drive adapter	1	A, B, C
16	STD-394	DOWEL, 3/32 in. x 11/32 in. long	1	A, B, C
17	31-15	STUD, 5/16-18 x 1-7/8 in. long	4	A
	31-18	STUD, 5/16-18 x 2-1/4 in. long	4	B, C
18	68042	GEAR, Governor driven	1	A, B, C
19	STD-332	CIRCLIP, 13/16 ID x 3/64 dia. wire	1	A, B, C
20	72053	GASKET, Governor drive	1	A, B, C
21	72378	COVER, Governor drive	1	A, B, C
22	STD-35	WASHER, Plain, 5/16 in.	4	A
	STD-35	WASHER, Plain, 5/16 in.	16	B, C
23	STD-475	WASHER, Internal lock, 5/16 in.	4	A, B, C
24	STD-37	NUT, Plain, 5/16-24 NF-3	4	A, B, C
25	STD-8	WASHER, Plain, 1/4 in.	6	A, B, C
26	STD-160	WASHER, Internal lock, 1/4 in.	6	A, B, C
27	STD-9	NUT, Plain, 1/4-28 NF-3	6	A, B, C
28	STD-111	GASKET, 1.00 ID x 1-1/4 OD x 3/32 in. annular	1	A, B, C
29	69335	PLUG, 5/8 in. hex. hd., x 1.00-20 thread	1	A, B, C
30	65818	PIN, Engine timing	1	A, B, C
31	STD-33	WASHER, Plain, 3/8 in.	8	A, B, C
32	STD-678	WASHER, Internal lock, 3/8 in.	8	A, B, C
33	STD-596	NUT, Plain, 3/8-24	8	A, B, C
34	74885	BOLT, Crankshaft flange, Fig. 8, Page 2-2	8	A, B, C
35	74646	NUT, Crimp, 3/8-24, Fig. 8, Page 2-2	8	A, B, C
36	61548	PLATE, Name	1	A, B, C
37	STD-1901	DRIVE STUD, #4 x 3/16 in. round head	4	A, B, C

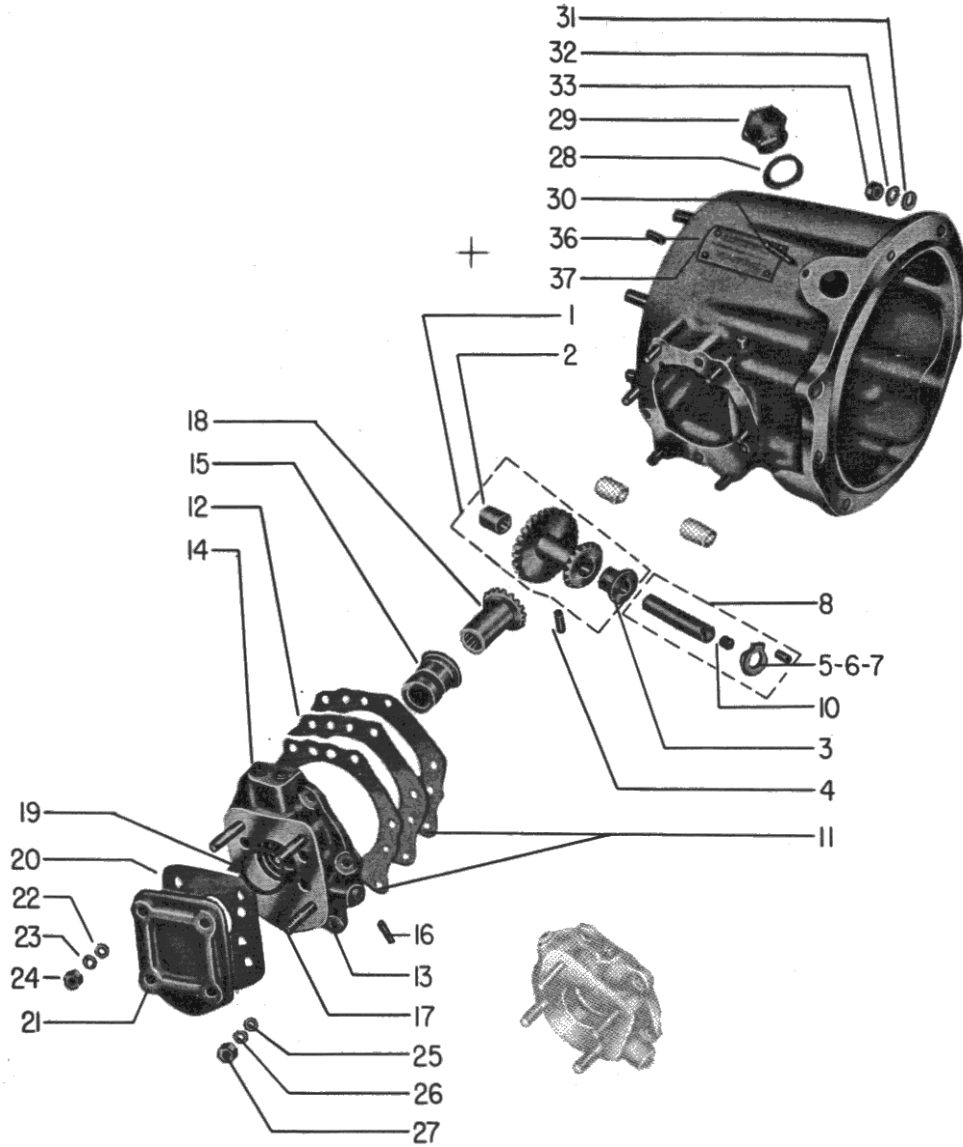


Figure 14 - Governor Drives and Governor Drive Adapter
(Spline and Flange Type)

AVCO LYCOMING PARTS CATALOG
GO-480-B, -D AND -F6 SERIES

SECTION III

ACCESSORY HOUSING ASSEMBLY

AVCO LYCOMING PARTS CATALOG

GO-480-B, -D AND -F6 SERIES

SECTION III

ACCESSORY HOUSING ASSEMBLIES

Page Numbers

Engine Model	Acc'y. Hsg. Assembly Rr. Mtd. Accy's. 3-2	Gear Train and Acc'y. Hsg. Group Rr. Mtd. Accy's. 3-3	Magneto Dr. & Gr. Train Rr. Mtd. Accy's. 3-4	Tach. Drives SAE and AN 3-5	Acc'y. Hsg. Assembly Crosswise Accy's. 3-6	Accessory Dr. Gears Crosswise Accy's. 3-7	Starter Dr. Ass'y. Crosswise Accy's. 3-8	Oil Pump Drive Crosswise Accy's. 3-9	Oil Scavenge Pump Dr. Crosswise Accy's. 3-10	Acc'y. Hsg. Cover Crosswise Accy's. 3-11	Main Acc'y. Dr. Crosswise Accy's. 3-12	Acc'y. Covers and Gaskets 3-13	Acc'y. Hsg. Attaching Parts 3-14
GO-480-B	A, B	A, B	A, B	A, B								A, C	A
GO-480-B1A6	A, B	A, B	A, B	A, B								A, C	A
GO-480-B1B	E	E	E	E								A, C	C
GO-480-B1C	C, D	C, D	C, D	C, D								A, C	B
GO-480-B1D	G	G	G	G								A, C	B
GO-480-D1A												B	E
GO-480-F6	E, F	E, F	E, F	E, F								A, C	D
GO-480-F1A6	H	H	H	H								A, C	D
GO-480-F2A6	H	H	H	H								A, C	D
GO-480-F4A6	H	H	H	H								A, C	D

AVCO LYCOMING AIRCRAFT ENGINE GROUP ASSEMBLY PARTS LIST

GO-480-B, -D AND -F6 SERIES

SECTION III

3-2 - ACCESSORY HOUSING ASSEMBLY (REAR MOUNTED ACCESSORIES)

REF. NO.	PART NUMBER	DESCRIPTION					QTY. PER ENG.	MODEL USAGE
		1	2	3	4	5		
1	60532						1	A, B, C, D, E, F, G, H
2	68967						1	A
	71262						1	B
	69525						1	C
	69549						1	D
	69414						1	E
	69545						1	F
	70496						1	G
	70495						1	H
3	STD-1315						4	A, B, C, D, E, F, G, H
4	38-14						6	A, B, E, F, G, H
	38-14						4	C, D
5	31D-16						2	A, B, C, D, E, F, G
6	38-28						2	C, D
7	31D-19						1	A, B, C, D, E, F, G, H
8	31-13						14	A, B, C, D, G, H
	31-13						10	E, F
9	31-16						2	E, F
10	25-12						7	A, C, E, G
	25-12						4	B, D, F, H
11	25-13						2	B, D, F, H
12	25-11						2	E, F
13	68672						1	A, B
	65598						1	C, D, E, F, G, H
14	STD-798						1	A, B
	STD-151						1	C, D, E, F, G, H
15	1102						2	A, B, C, D, E, F, G, H
16	STD-453						2	A, B, C, D, E, F, G, H
17	STD-1852						1	A, B, C, D, E, F, G, H
18	69124						1	A, B
19	69413						1	C, D
20	STD-1177						1	C, D, E, F, G, H
21	68629						1	A, B, C, D, E, F, G, H
22	68959						2	A, B, C, D, F, G, H
23	STD-314						2	A, B, C, D, F, G, H
24	66881						1	A, C, E, G
25	66882						1	A, C, E, G
26	69435						1	C, D, E, F, G, H
27	STD-1485						1	C, D, E, F, G, H
28	STD-911						1	E, G, H

AVCO LYCOMING AIRCRAFT ENGINE GROUP ASSEMBLY PARTS LIST

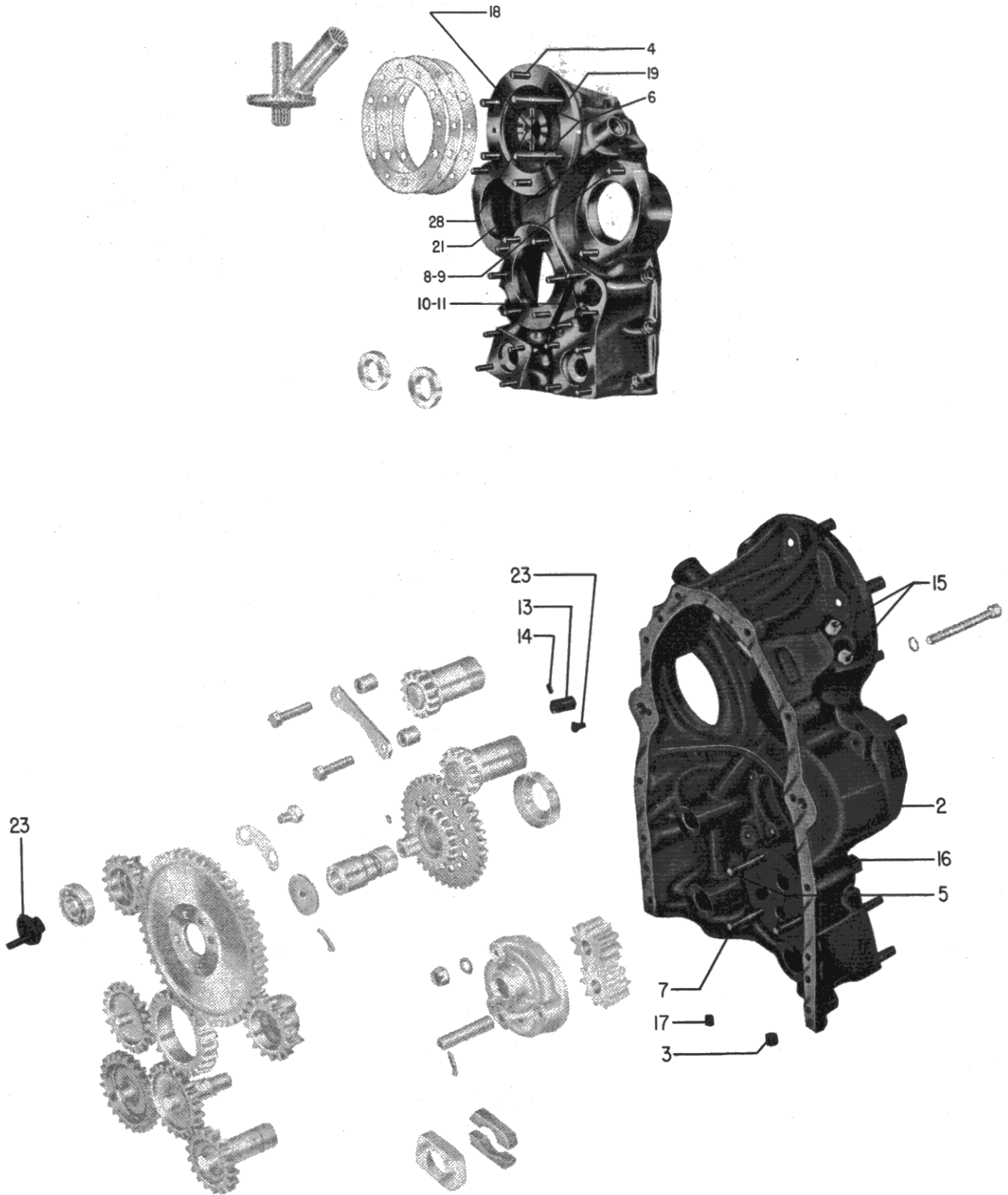


Figure 15 - Accessory Housing Assembly
(Rear Mounted)

AVCO LYCOMING AIRCRAFT ENGINE GROUP ASSEMBLY PARTS LIST

GO-480-B, -D AND -F6 SERIES

SECTION III (CONT.)

3-3 - GEAR TRAIN AND ACCESSORY HOUSING GROUP (REAR MOUNTED ACCESSORIES)

REF. NO.	PART NUMBER	1	2	3	4	5	DESCRIPTION	QTY. PER ENG.	MODEL USAGE
1	68682						GEAR, Camshaft	1	A, B
	67477						GEAR, Camshaft	1	C, D, E, F, G, H
2	67485						GEAR, Generator drive	1	C, D, E, F, G, H
3	STD-679						SCREW, Hex. hd., 5/16-24 x 27/64 in. long	4	A, B
	STD-703						SCREW, Hex. hd., 5/16-24 x 37/64 in. long	4	C, D, E, F, G, H
4	72078						LOCKPLATE, 5/16 bolt x 1-21/64 in. spacing	2	A, B, C, D, E, F, G, H
5	67480						GEAR, Tachometer drive	1	A, B, C, D, E, F, G, H
6	67479						GEAR, Oil pump drive	1	A, B, C, D, E, F, G, H
7	60746						IMPELLER, Oil pump, driving	1	A, B, C, D, E, F, G, H
8	66217						BODY ASSEMBLY, Oil pump	1	A, B, C, D, E, F, G, H
9	STD-35						WASHER, Plain, 5/16 in.	3	A, B, C, D, E, F, G, H
10	STD-2						NUT, Slotted, 5/16-24	3	A, B, C, D, E, F, G, H
11	66207						BODY, Oil pump	1	A, B, C, D, E, F, G, H
12	60329						SHAFT, Oil pump idler	1	A, B, C, D, E, F, G, H
13	STD-714						PIN, Cotter, 1/8 in. dia. x 1.00 in. long	1	A, B, C, D, E, F, G, H
14	60747						IMPELLER, Oil pump, driven	1	A, B, C, D, E, F, G, H
15	69155						GEAR ASSEMBLY, Generator driven	1	A, B
	65622						GEAR ASSEMBLY, Generator driven	1	C, D, E, F, G, H
16	68679						SPACER, Generator gear retaining plate	2	A, B
	66173						SPACER, Generator gear retaining plate	2	C, D, E, F, G, H
17	68680						PLATE, Retaining, generator gear, driven	1	A, B
	65596						PLATE, Retaining, generator gear, driven	1	C, D, E, F, G, H
18	STD-395						SCREW, Hex. hd., dr. hd., 1/4-20 x 1-1/4 in. long	2	A, B
	STD-1114						SCREW, Hex. hd., dr. hd., 1/4-20 x 1-1/2 in. long	2	C, D, E, F, G, H
19	69352						GEAR ASSEMBLY, Generator drive, idler	1	A, B
20	68702						BUSHING, 1.00 ID x 1-1/8 OD x 7/8 in. long	1	A, B
21	STD-798						DOWEL, 3/32 in. dia. x 9/32 in. long	1	A, B
22	68696						COUNTERSHAFT, Generator drive	1	A, B
23	68627						SHIELD, Oil, gen. drive countershaft	1	A, B
24	STD-1354						WASHER, Plain, 5/16 in.	1	A, B
25	68669						SCREW, Socket hd., 5/16-24 NF-3 x 2-5/8 in. long	1	A, B
26	68670						NUT, Gear retaining	1	A, B
27	STD-68						PIN, Cotter, 1/16 in. dia. x 1/2 in. long	1	A, B

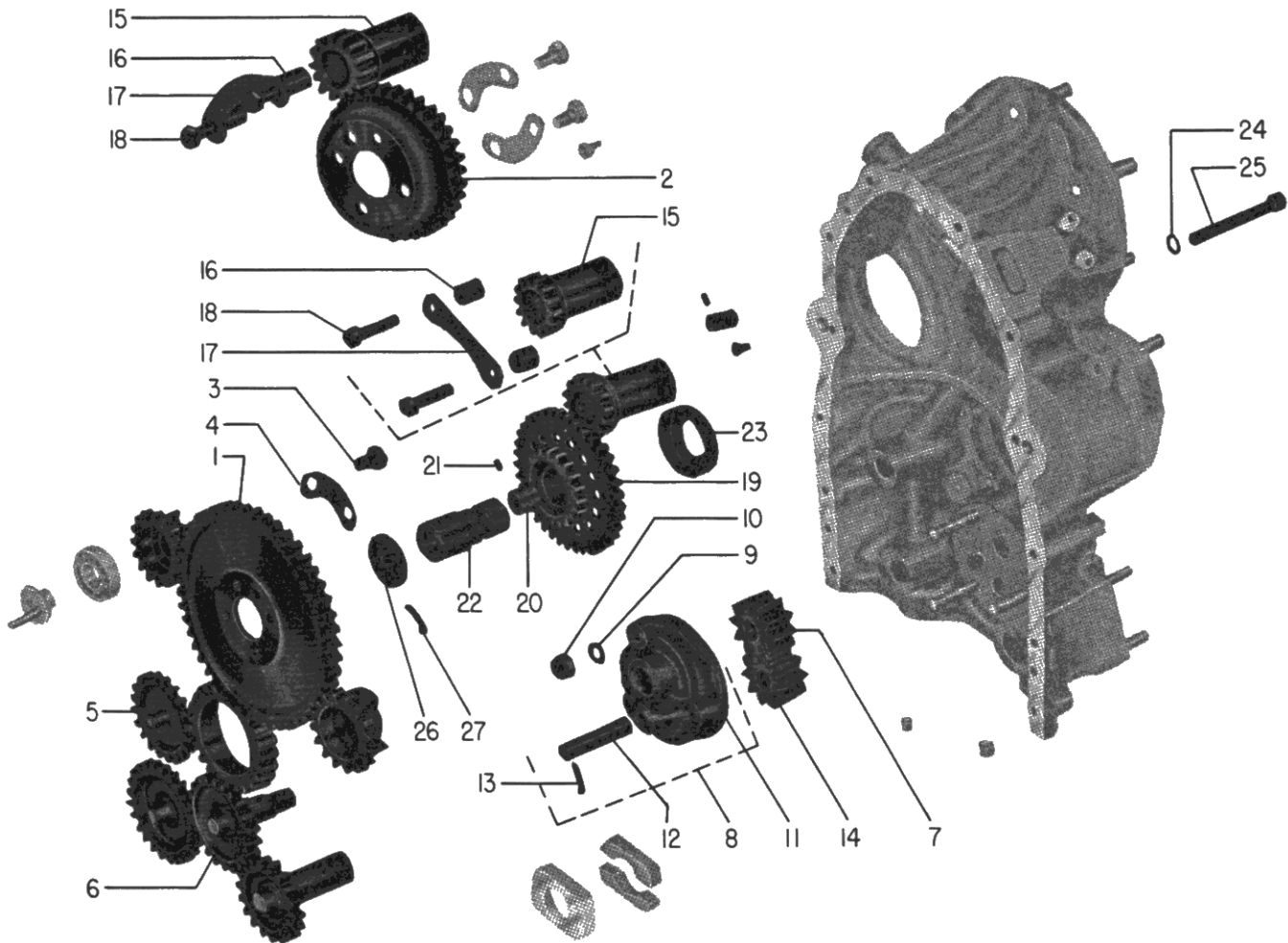


Figure 16 - Accessory Drive Gears and Oil Pump Ass'y.
(Rear Mounted Accessories)

AVCO LYCOMING AIRCRAFT ENGINE GROUP ASSEMBLY PARTS LIST

GO-480-B, -D AND -F6 SERIES
SECTION III (CONT.)

3-4 - GEAR TRAIN (CONT.) MAGNETO DRIVES (REAR MOUNTED ACCESSORIES)

REF. NO.	PART NUMBER	DESCRIPTION					QTY. PER ENG.	MODEL USAGE
		1	2	3	4	5		
1	60949	BEARING, Magneto drive					2	A, B, C, D, G, H
2	68961	GEAR ASSEMBLY, Magneto					2	A, B, C, D, G, H
3	68875	RETAINER, Magneto drive cushion					2	A, B, C, D, G, H
4	68874	CUSHION, Magneto drive					4	A, B, C, D, G, H
5	STD-208	SEAL, Oil, 7/8 ID x 1-1/2 OD x 5/16 in. wide					1	A, B, E, F, G, H
VACUUM PUMP DRIVE								
6	67486	GEAR ASSEMBLY, Vacuum pump drive					1	A, B, C, D, E, F, G, H
7	STD-213	SEAL, Oil, 1-3/8 OD x 3/4 ID x 5/16 in. wide					1	A, B, C, D, E, F, G, H
FUEL PUMP DRIVE								
8	67487	GEAR ASSEMBLY, Fuel pump drive					1	A, B, C, D, E, F, G, H
9	65377	GEAR, Crankshaft timing					1	A, B, C, D, E, F, G, H
GENERATOR DRIVE								
10	69411	GASKET, Generator housing					2	C, D
11	69412	SHIM, Generator housing					1	C, D
12	69423	GEAR ASSEMBLY, Generator drive					1	C, D
13	69418	GEAR ASSEMBLY, Generator driven					1	C, D
14	69432	HOUSING ASSEMBLY, Generator					1	C, D
15	69409	BUSHING, 1-1/4 OD x 1-1/8 ID x 7/8 in. long					1	C, D
16	68672	BUSHING, 1-1/4 OD x 1-1/8 ID x 1-19/64 in. long					1	C, D
17	69124	ANNULUS, Oil seal					1	C, D
18	STD-798	DOWEL, 3/32 dia. x 9/32 in. long					2	C, D
19	STD-119	PLUG, Straight, .253-.252 dia. x 1/4 in. long					1	C, D
20	25-12	STUD, 1/4-20 x 1-1/2 in. long					4	C, D
21	38-15	STUD, 3/8-16 x 1-7/8 in. long					6	C, D
22	STD-208	SEAL, Oil, 7/8 ID x 1-1/2 OD x 5/6 in. wide					2	C, D

AVCO LYCOMING AIRCRAFT ENGINE GROUP ASSEMBLY PARTS LIST

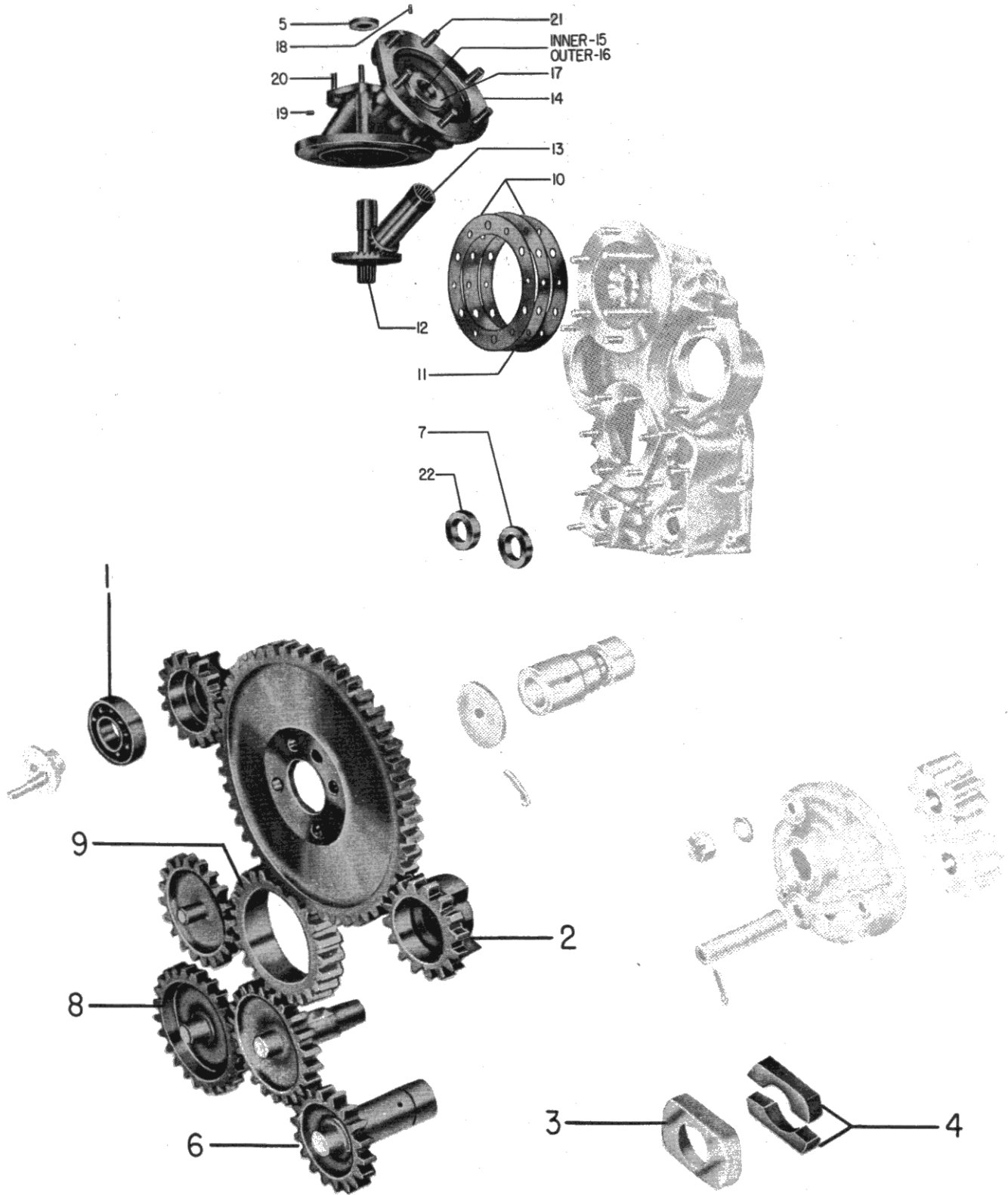


Figure 17 - Magneto Drives
(Rear Mounted Accessories)

AVCO LYCOMING AIRCRAFT ENGINE GROUP ASSEMBLY PARTS LIST

GO-480-B, -D AND -F6 SERIES
SECTION III (CONT.)
3-5 - TACHOMETER DRIVES, SAE AND AN

REF. NO.	PART NUMBER	DESCRIPTION					QTY. PER ENG.	MODEL USAGE
		1	2	3	4	5		
1	69429	ADAPTER ASSEMBLY, Tachometer					1	B, D, F, H
2	STD-8	WASHER, Plain, 1/4 in.					6	B, D, F, H
3	STD-160	WASHER, Internal lock, 1/4 in.					4	B, D, F, H
4	AN4-11A	BOLT, Hex. hd., 1/4-28 x 1-5/32 in. long					2	B, D, F, H
5	STD-9	NUT, Plain, 1/4-28					4	B, D, F, H
6	25-11	STUD, 1/4-20 x 1-3/8 in. long					4	B, D, F, H
7	STD-547	SEAL, Oil, 9/16 ID x 1-1/4 in. OD x 5/16 in. wide					1	B, D, F, H
8	69422	SHAFT, Tachometer idler gear					1	B, D, F, H
9	STD-714	PIN, Cotter, 1/8 dia. x 1.00 in. long					1	B, D, F, H
10	69421	GASKET, Tachometer adapter					1	B, D, F, H
11	69430	SUPPORT, Tachometer adapter					1	B, D, F, H
12	STD-197	SCREW, Flat head, 1/4-20 x 7/8 in. long					1	B, D, F, H
13	60444	GASKET, Tachometer cover					1	B, D, F, H
14	69427	GEAR ASSEMBLY, Tachometer idler					1	B, D, F, H
15	69424	GEAR ASSEMBLY, Tachometer driven					1	B, D, F, H
16	60430	COVER, Vacuum pump (Not Illustrated)					1	B, D, F, H
17	8313	GASKET, Vacuum pump (Not Illustrated)					1	B, D, F, H
18	25-13	STUD, 1/4-20 x 1-5/8 in. long					2	B, D, F, H
19	61165	SEAL, Tachometer shaft					1	A, C, E, G
20	66882	COVER ASSEMBLY, Tachometer					1	A, C, E, G
21	STD-8	WASHER, Plain, 1/4 in.					3	A, C, E, G
22	STD-160	WASHER, Internal lock, 1/4 in.					3	A, C, E, G
23	STD-9	NUT, Plain, 1/4-28					3	A, C, E, G
24	66881	GEAR ASSEMBLY, Tachometer					1	A, C, E, G
25	60444	GASKET, Tachometer cover					1	A, C, E, G
26	25-12	STUD, 1/4-20 x 1-1/2 in. long					3	A, C, E, G

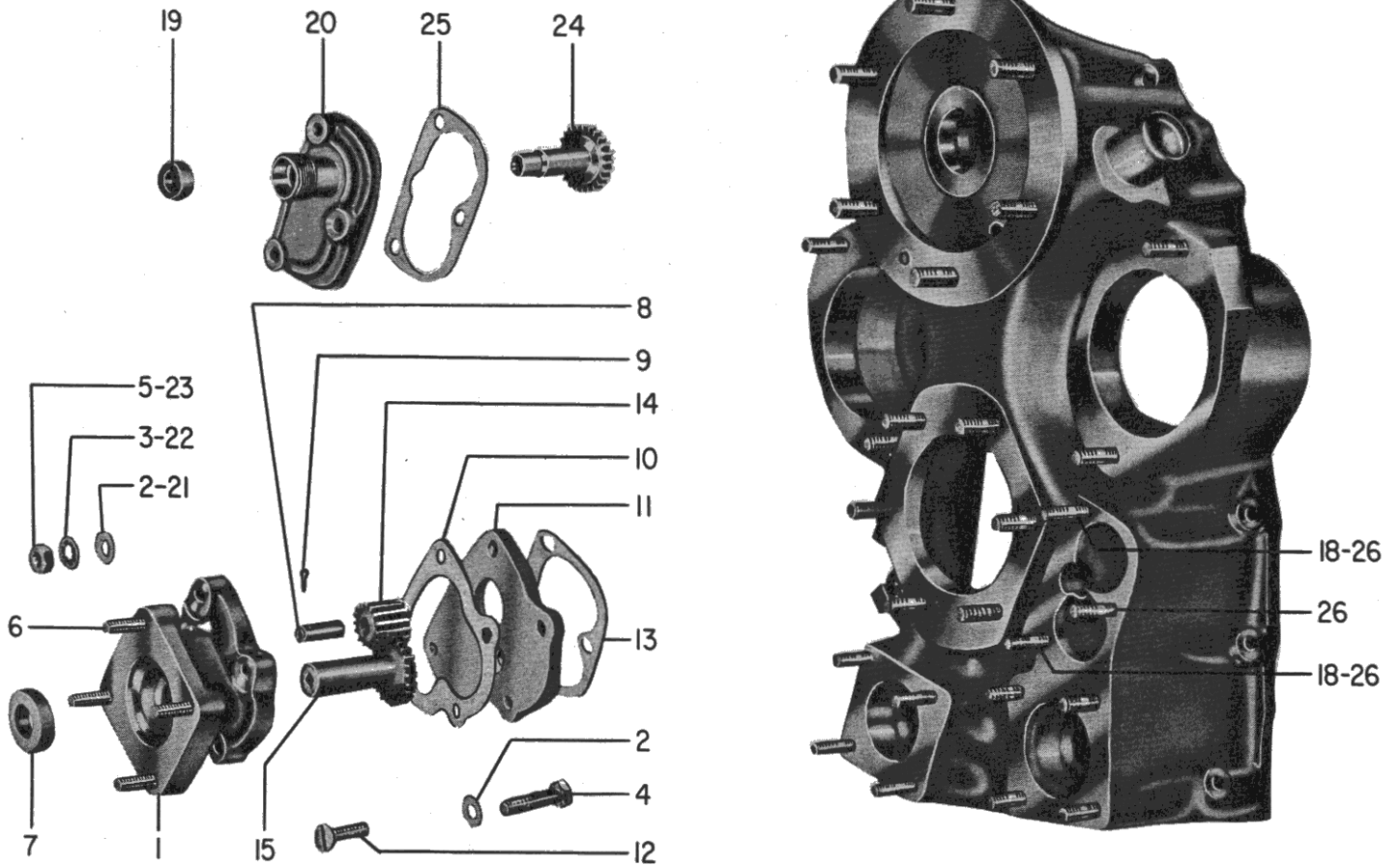


Figure 18 - Tachometer Assemblies
(SAE and AN)

AVCO LYCOMING AIRCRAFT ENGINE GROUP ASSEMBLY PARTS LIST

GO-480-B, -D AND -F6 SERIES

SECTION III (CONT.)

3-6 - ACCESSORY HOUSING ASSEMBLY (CROSSWISE ACCESSORY MODELS)

REF. NO.	PART NUMBER	DESCRIPTION					QTY. PER ENG.	MODEL USAGE
		1	2	3	4	5		
1	68174	GASKET, Accessory housing					1	J
2	70357	HOUSING ASSEMBLY, Accessory					1	J
3	STD-1315	INSERT, Heli-coil, 1/4-28 x 1/2 in. long					5	J
4	71341	BUSHING, 1-3/16 OD x 1.00 ID x 1.00 in. long					1	J
5	66145	DOWEL, 1/4 in. dia. x 1/2 in. long					2	J
6	67742	BUSHING, 1-7/8 in. OD x 1-11/16 ID x 3/4 in. long					1	J
7	STD-859	DOWEL, 1/8 dia. x 9/32 in. long					1	J
8	67646	BUSHING, 1-1/16 OD x 7/8 ID x 1-7/32 in. long					1	J
9	1102	PLUG, Allen, 1/8-27 NPT.					1	J
10	25D-11	STUD, 1/4-20 x 1-3/8 in. long, drilled					8	J
11	25-12	STUD, 1/4-20 x 1-1/2 in. long					13	J
12	25-13	STUD, 1/4-20 x 1-5/8 in. long					15	J
13	25-40	STUD, 1/4-20 x 5.00 in. long					1	J
14	25-27	STUD, 1/4-20 x 3-3/8 in. long					1	J
15	25-34	STUD, 1/4-20 x 4-1/4 in. long					2	J
16	25-16	STUD, 1/4-20 x 2.00 in. long					4	J
17	25-23	STUD, 1/4-20 x 2-7/8 in. long					1	J
18	25-37	STUD, 1/4-20 x 4-5/8 in. long					1	J
19	25D-24	STUD, 1/4-20 x 3.00 in. long, drilled					1	J
20	31-14	STUD, 5/16-18 x 1-3/4 in. long					6	J
21	31-26	STUD, 5/16-18 x 3-1/4 in. long					1	J
22	31-21	STUD, 5/16-18 x 2-5/8 in. long					1	J
23	38-16	STUD, 3/8-16 x 2.00 in. long					6	J
24	69286	ANNULUS, Oil seal					1	J
25	69658	PIN, Timing					1	J
26	STD-1339	PLUG, Allen, 1/16-27 NPT.					5	J
27	STD-111	GASKET, 1.00 ID x 1-1/4 OD x 3/32 annular					1	J
28	STD-71	PLUG, Allen, 3/8 in. pipe					2	J
29	69335	PLUG, 5/8 in. hex. hd., 1.00-20 THD.					1	J
30	69621	PLUG, 41/64 in. dia. x 3/16 in. long					1	J

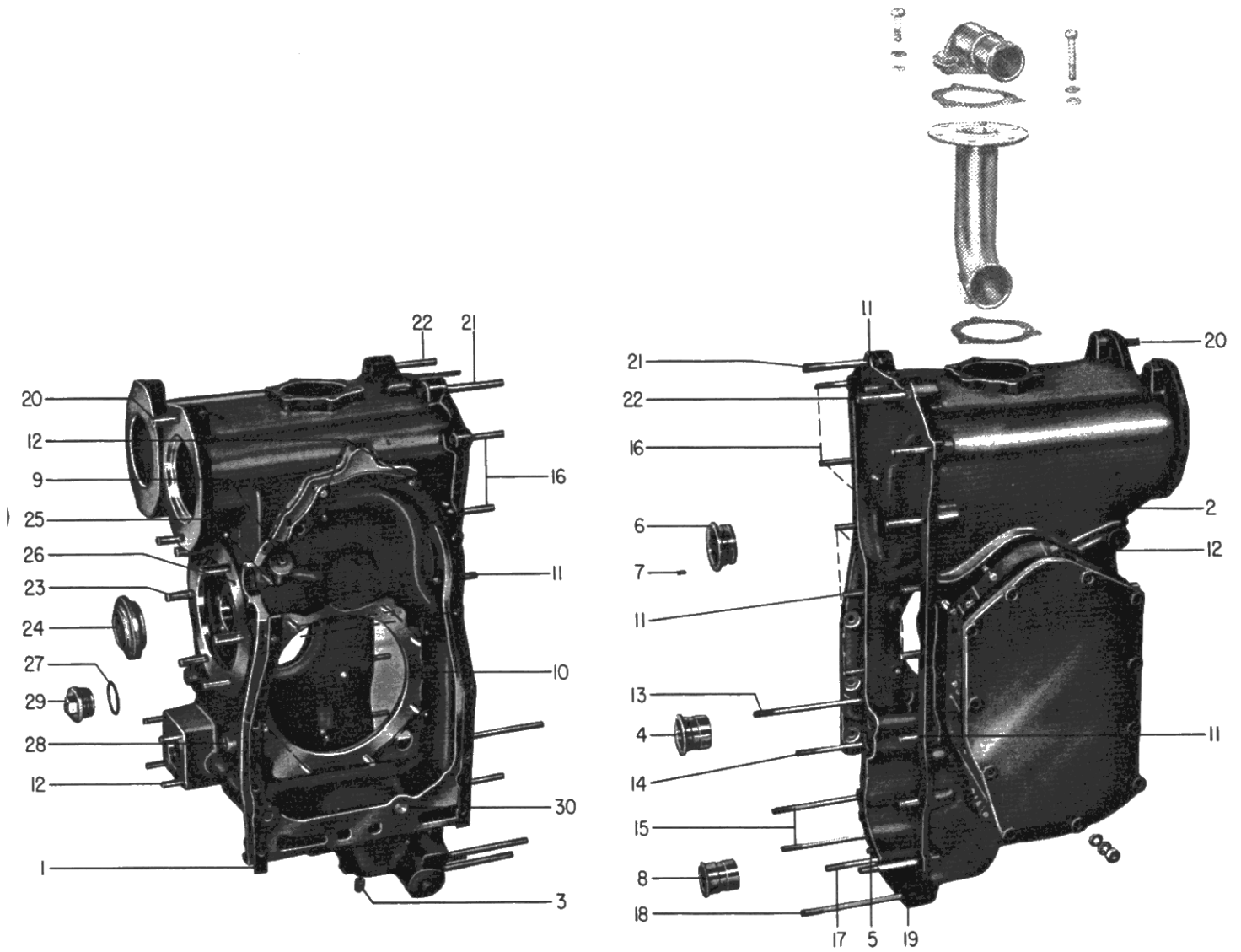


Figure 19 - Accessory Housing Assembly
(Crosswise)

AVCO LYCOMING AIRCRAFT ENGINE GROUP ASSEMBLY PARTS LIST

GO-480-B, -D AND -F6 SERIES

SECTION III (CONT.)

3-7 - ACCESSORY DRIVE GEARS (CROSSWISE ACCESSORY MODELS)

REF. NO.	PART NUMBER	DESCRIPTION					QTY. PER ENG.	MODEL USAGE
		1	2	3	4	5		
1	67782	SHAFTGEAR ASSEMBLY, Fuel pump drive					1	J
2	STD-213	SEAL, Oil, 3/4 in. ID x 1-3/8 in. OD x 5/16 in. wide					1	J
3	67704	SHAFTGEAR ASSEMBLY, Vacuum pump					1	J
4	STD-1708	SEAL, 1-7/16 OD x 1.00 ID x 25/64 in. wide					1	J
5	67690	WASHER, Generator drive gear thrust					1	J
6	69177	SHAFTGEAR ASSEMBLY, Generator drive					1	J
7	72384	SHAFT, Magneto drive idler					1	J
8	STD-1854	SEAL, Washer, 5/16 in.					1	J
9	STD-1860	SCREW, Flat fill. hd., drilled shank, 5/16-24 x 3-1/8 in. long					1	J
10	STD-2	NUT, Slotted, 5/16-24					1	J
11	AN381-2-10	PIN, Cotter, 1/16 in. dia. x 5/8 in. long					1	J
12	68545	WASHER ASSEMBLY, Magneto drive idler shaft					1	J
13	68568	HUB ASSEMBLY, Magneto drive idler					1	J
14	68563	BUSHING, Magneto drive idler gear					1	J
	STD-19	DOWEL, 3/32 in. dia. x 7/32 in. long					1	J
15	68572	SLINGER, Oil					1	J
16	68553	GEAR, Magneto drive idler					1	J
17	AN102010	BOLT, Drilled end, 1/4-28 x 3/4 in. long					4	J
18	STD-43	NUT, Slotted shear, 1/4-28					4	J
19	68410	GEAR ASSEMBLY, Tachometer driven					1	J
20	STD-547	SEAL, 9/16 ID x 1-1/4 OD x 5/16 wide					1	J
21	67610	GEAR ASSEMBLY, Starter drive, not ill.					1	J
22	67583	GEAR, Starter drive					1	J
23	67609	GEAR, Accessory drive					1	J
24	72139	DOWEL, 1/4 dia. x 7/16 in. long, hollow pin					3	J
25	AN115907	SCREW, Fill. hd., drilled, 1/4-28 x 1/2 in. long					6	J
26	69566	SHAFT ASSEMBLY, Magneto drive					1	J
27	69565	SLEEVE, Magneto drive shaft					1	J
28	68565	GEAR, Magneto drive shaft					1	J
29	69569	WASHER, Magneto drive shaft gear					1	J
30	69570	RING, Retaining, magneto drive gear					1	J

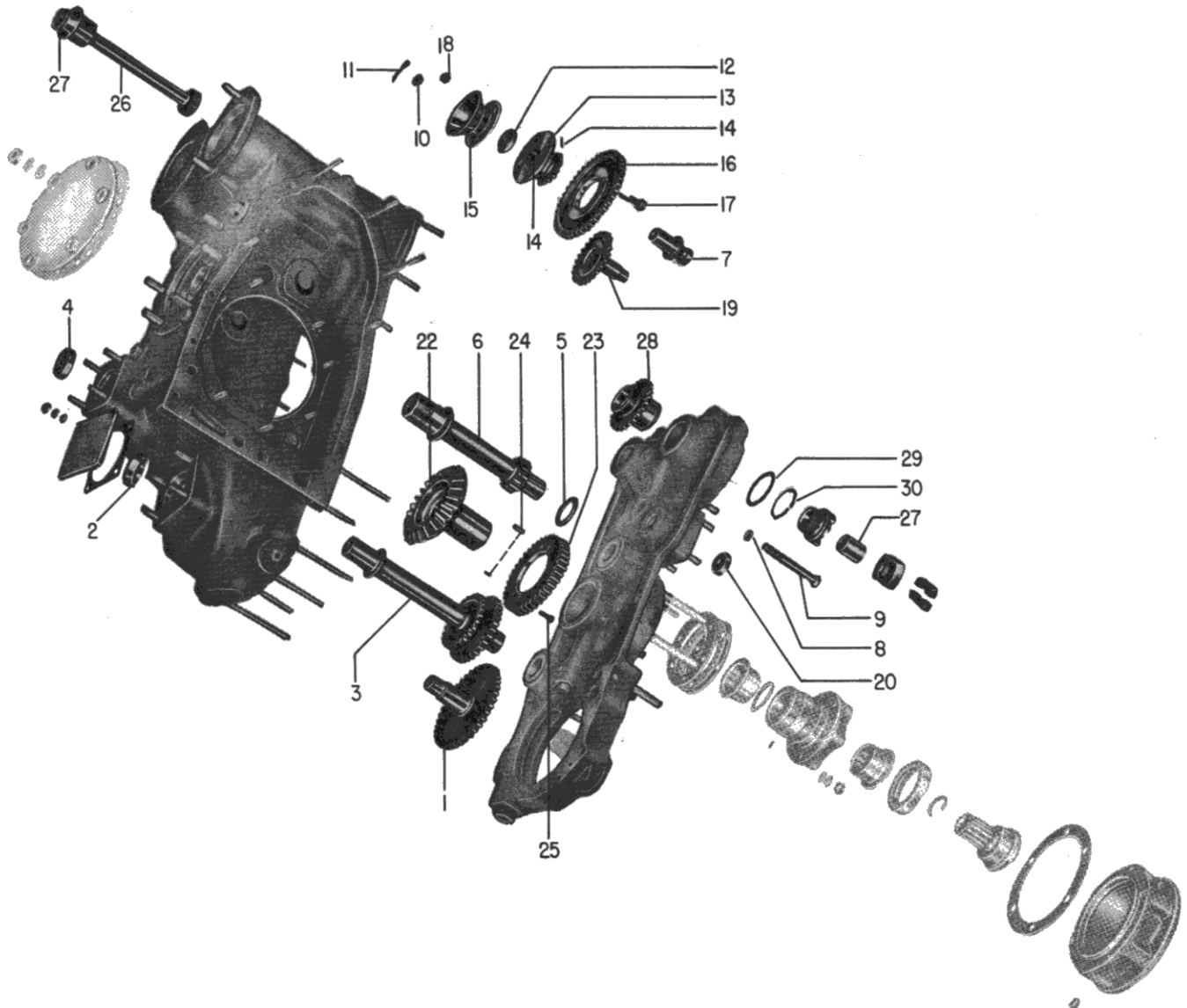


Figure 20 - Accessory Drive Gears
(Crosswise Acc'y.)

AVCO LYCOMING AIRCRAFT ENGINE GROUP ASSEMBLY PARTS LIST

GO-480-B, -D AND -F6 SERIES
SECTION III (CONT.)

3-8 - STARTER DRIVE ASSEMBLY (CROSSWISE ACCESSORY MODELS)

REF. NO.	PART NUMBER						DESCRIPTION	QTY. PER ENG.	MODEL USAGE
		1	2	3	4	5			
1	68694						ADAPTER ASSEMBLY, Starter drive	1	J
2	67596						BUSHING, 1-11/16 OD x 1-1/2 ID x 1.00 in. long	1	J
3	STD-394						DOWEL, 3/32 dia. x 11/32 in. long	2	J
4	71616						BUSHING, 1-11/16 OD x 1-1/2 ID x 1.00 in. long	1	J
5	STD-8						WASHER, Plain, 1/4 in.	6	J
6	STD-696						WASHER, 17/64 ID x 1/2 in. OD x 1/32 in. thick	AR	J
7	STD-97						NUT, Slotted, 1/4-28	6	J
8	STD-1702						SEAL, Oil, 2-5/8 OD x 1-13/16 ID x 1/2 in. wide	1	J
9	67605						JAW, Starter	1	J
10	STD-1709						CIRCLIP, 1-5/32 x 5/64 dia. wire	1	J
11	67633						GASKET, Starter drive pad	1	J
12	68186						ADAPTER, Starter	1	J

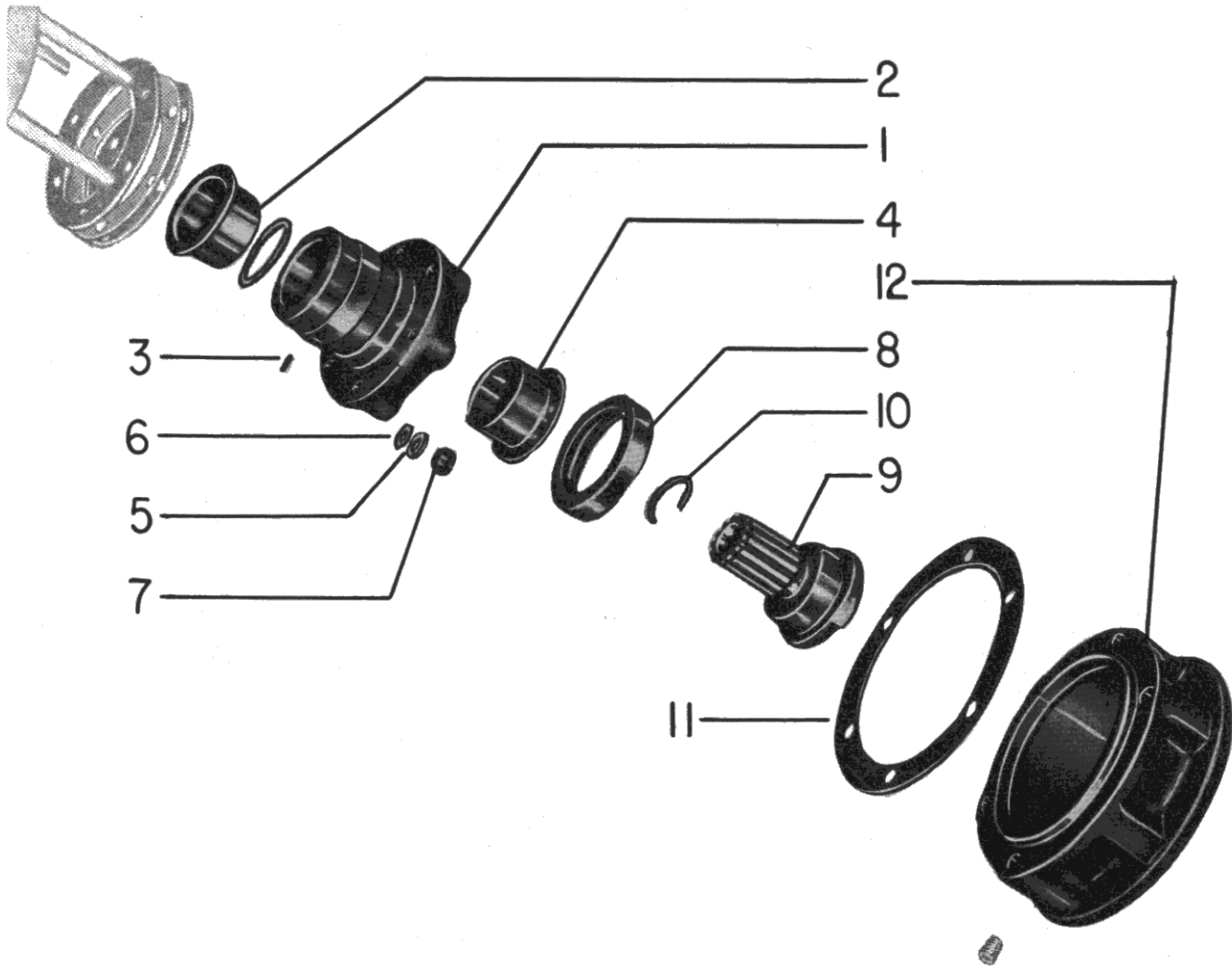


Figure 21 - Starter Drive Assembly
(Crosswise Accessory Engines)

AVCO LYCOMING AIRCRAFT ENGINE GROUP ASSEMBLY PARTS LIST

GO-480-B, -D AND -F6 SERIES

SECTION III (CONT.)

3-9 - OIL PUMP DRIVE (CROSSWISE ACCESSORY MODELS)

REF. NO.	PART NUMBER	DESCRIPTION					QTY. PER ENG.	MODEL USAGE
		1	2	3	4	5		
1	68456	GASKET, Hydraulic and oil pump adapter					1	J
2	73090	PUMP ASSEMBLY, Oil					1	J
3	73087	BODY ASSEMBLY, Oil pressure pump					1	J
4	1028-B	BALL, 11/16 in. dia.					1	J
5	73085	BODY, Oil pressure pump					1	J
6	71999	RETAINER, Ball, check valve					1	J
7	68466	BUSHING, Oil pump drive shaft					1	J
8	654-B	SPRING, Check valve					1	J
9	STD-394	DOWEL, .0709 in. dia. x 11/32 in. long					1	J
10	25D-23	STUD, Drilled, 1/4-20 x 2-7/8 in. long					4	J
11	STD-1392	PLUG, .268 to .269 dia. x 5/16 in. long					1	J
12	25D-24	STUD, Drilled, 1/4-20 x 3.00 in. long					1	J
13	25D-26	STUD, Drilled, 1/4-20 x 3-1/4 in. long					1	J
14	MS122200	INSERT, Heli-coil, #10-24 x 31/64 in. long					4	J
15	STD-1164	INSERT, Heli-coil, 5/16-18 x 5/8 in. long					1	J
16	68473	SLEEVE, Oil relief valve					1	J
17	31-12	STUD, 5/16-18 x 1-1/2 in. long					1	J
18	31-14	STUD, 5/16-18 x 1-3/4 in. long					3	J
19	67762	DOWEL, Oil pump					2	J
20	75516	SHAFT, Hydraulic pump or oil pump					1	J
21	STD-1973	KEY, Woodruff, 1/8 in. x 3/4 in. dia.					1	J
22	61297	IMPELLER, Oil pressure pump driving					1	J
23	68404	IMPELLER, Oil pressure pump driven					1	J

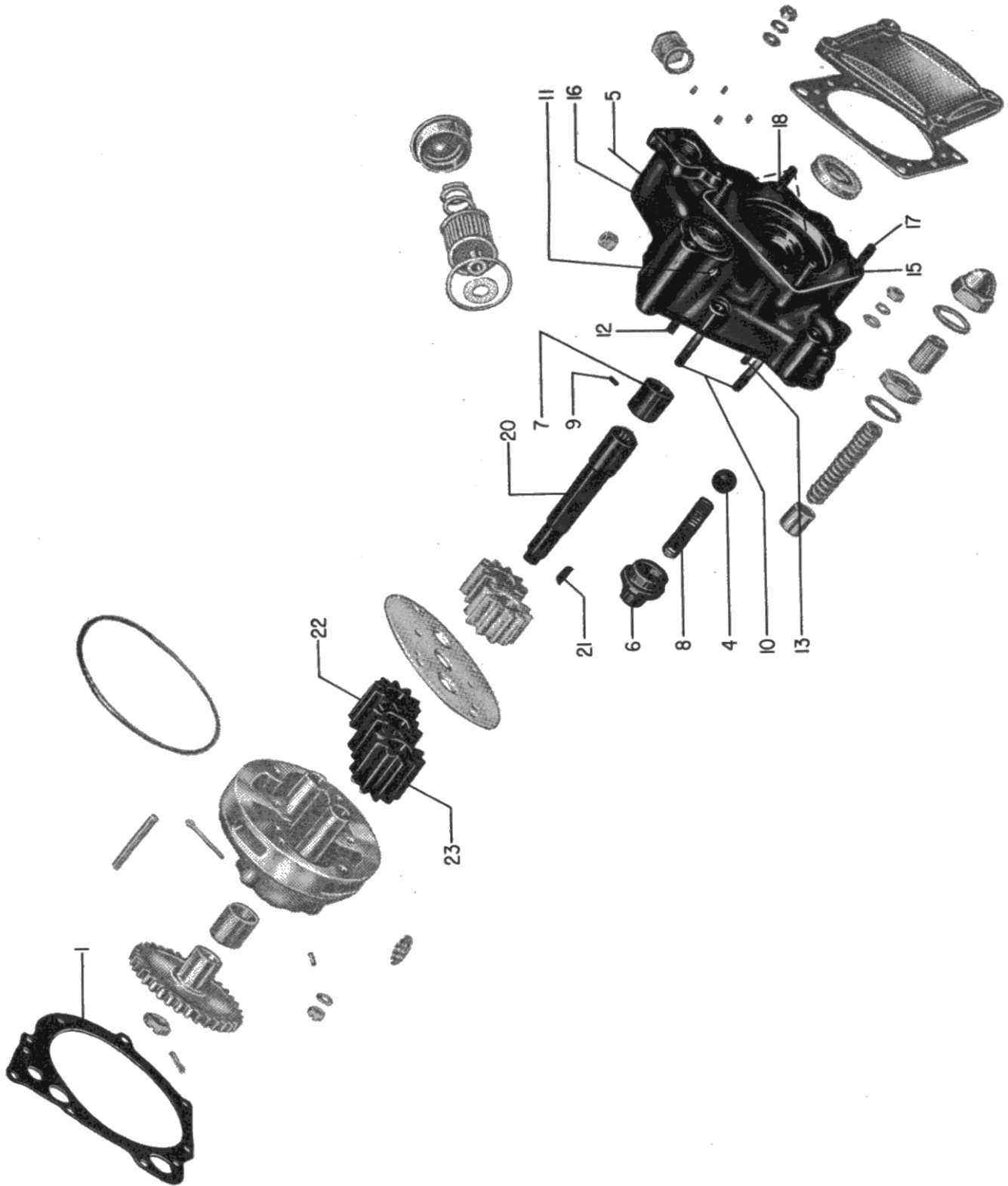


Figure 22 - Oil Pump Drive
(Crosswise Accessory Engines)

AVCO LYCOMING AIRCRAFT ENGINE GROUP ASSEMBLY PARTS LIST

GO-480-B, -D AND -F6 SERIES

SECTION III (CONT.)

3-10 - OIL SCAVENGE PUMP DRIVE (CROSSWISE ACCESSORY MODELS)

REF. NO.	PART NUMBER	DESCRIPTION					QTY. PER ENG.	MODEL USAGE
		1	2	3	4	5		
1	68468						1	J
2	66426						1	J
3	68403						2	J
4	68465						1	J
5	68207						1	J
6	68466						1	J
7	STD-394						1	J
8	68161						1	J
9	68156						1	J
10	AN381-4-20						1	J
11	68464						1	J
12	STD-8						6	J
13	STD-71						1	J
14	STD-43						6	J
15	68467						1	J
16	STD-61						1	J
17	STD-60						1	J
18	STD-208						1	J
19	70460						1	J
20	72785						1	J
21	AN900-28						1	J
22	71774						1	J
23	67981						1	J
24	68542						1	J
25	STD-351						2	J
26	STD-662						1	J
27	71226						1	J
28	67940						1	J

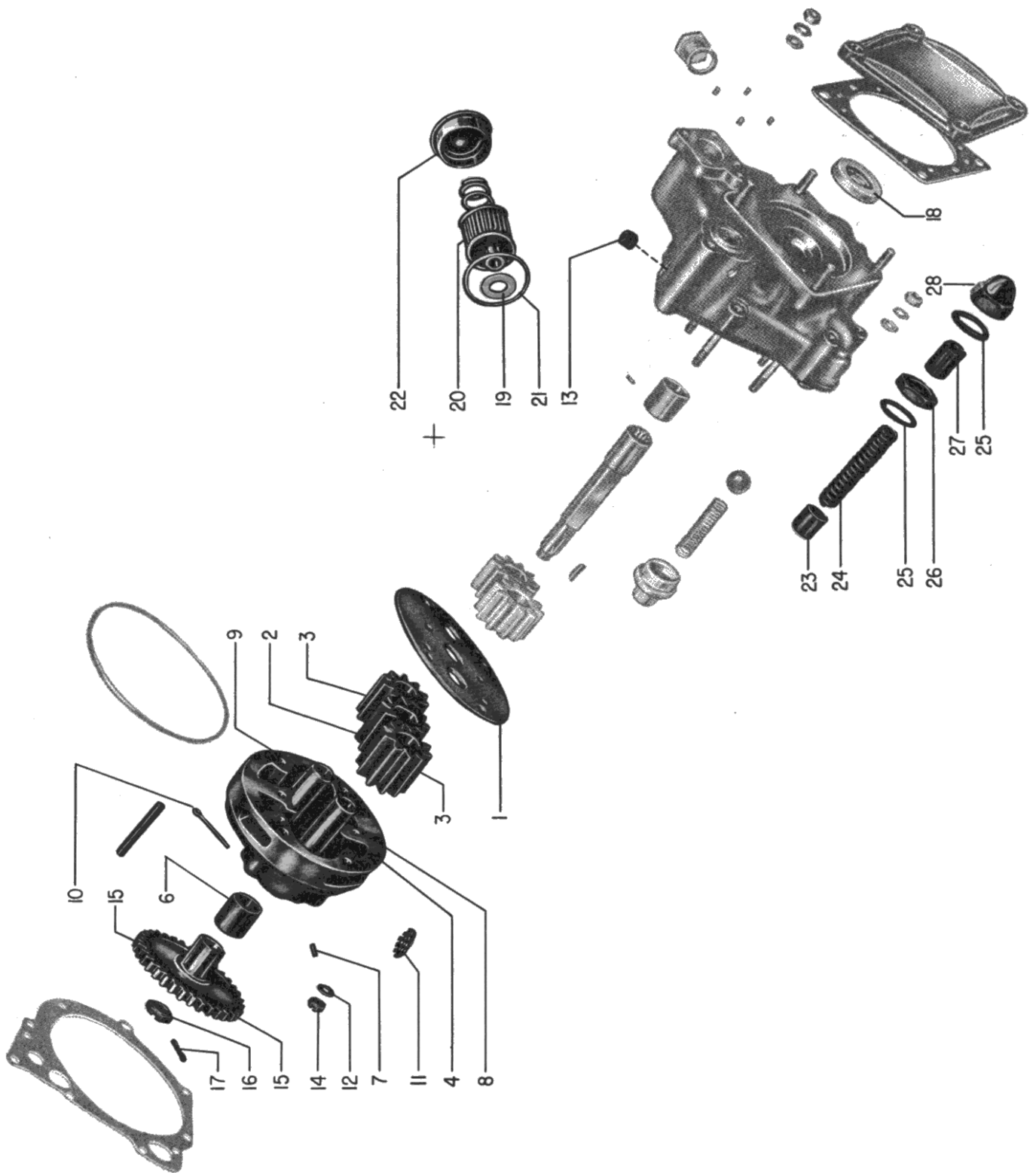


Figure 23 - Oil Scavenge Pump Drive
(Crosswise Accessory Engines)

AVCO LYCOMING AIRCRAFT ENGINE GROUP ASSEMBLY PARTS LIST

GO-480-B, -D AND -F6 SERIES

SECTION III (CONT.)

3-11 - ACCESSORY HOUSING COVER (CROSSWISE ACCESSORY MODELS)

REF. NO.	PART NUMBER	DESCRIPTION					QTY. PER ENG.	MODEL USAGE
		1	2	3	4	5		
1	68556	GASKET, Accessory housing cover					1	J
2	73094	COVER ASSEMBLY, Accessory housing					1	J
3	67653	BUSHING, 1-3/16 OD x 1.00 ID x 1-1/8 in. long					1	J
4	STD-951	DOWEL, 1/8 in. dia. x 7/16 in. long					1	J
5	68590	BUSHING, 1-3/16 OD x 1.00 ID x 1-3/16 in. long					1	J
6	STD-951	DOWEL, 1/8 in. dia. x 7/16 in. long					1	J
7	25-12	STUD, 1/4-20 x 1-1/2 in. long					5	J
8	25D-16	STUD, Drilled, 1/4-20 x 2.00 in. long					6	J
9	STD-434	DOWEL, 1/8 dia. x 21/64 in. long					1	J
10	31-14	STUD, 5/16-18 x 1-3/4 in. long					1	J
11	38-31	STUD, 3/8-16 x 3-7/8 in. long					6	J
12	STD-783	PLUG, Allen, 1/4-18 NPT.					1	J
13	STD-1053	PLUG, .204 to .205 dia. x 5/16 in. long					1	J
14	25-29	STUD, 1/4-20 x 3-23/64 in. long					1	J
15	71124	BUSHING, 1-1/2 ID x 1-11/16 OD x 45/64 in. long					1	J
16	1102	PLUG, Allen, 1/8-27 NPT.					2	J
17	STD-1104	PLUG, Square head, drilled, 3/4-14 NPT.					2	J

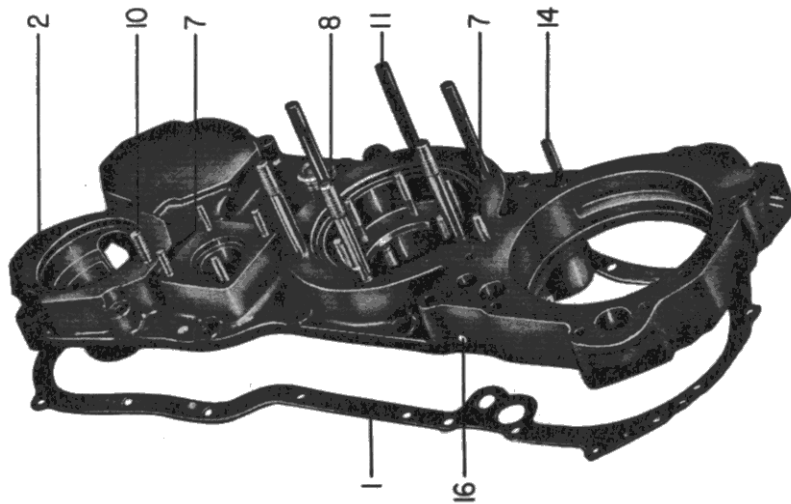
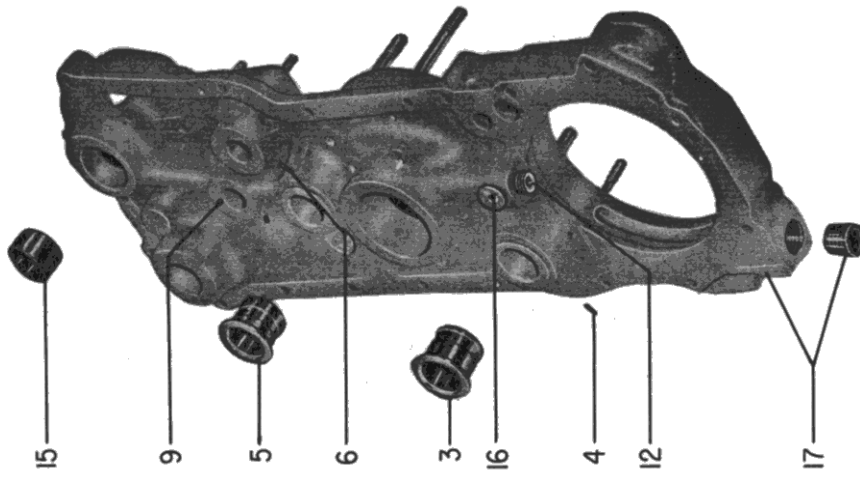


Figure 24 - Accessory Housing Cover
(Crosswise Acc'y. Engines)

AVCO LYCOMING AIRCRAFT ENGINE GROUP ASSEMBLY PARTS LIST

GO-480-B, -D AND -F6 SERIES

SECTION III (CONT.)

3-12 - MAIN ACCESSORY DRIVES (CROSSWISE ACCESSORY MODELS)

REF. NO.	PART NUMBER	DESCRIPTION					QTY. PER ENG.	MODEL USAGE
		1	2	3	4	5		
1	67638	SHIM, Accessory drive shaft adapter					1	J
2	75026	ADAPTER ASSEMBLY, Accessory drive shaft					1	J
3	STD-1315	INSERT, Heli-coil, 1/4-28 x 1/2 in. long					4	J
4	STD-8	WASHER, Plain, 1/4 in.					8	J
5	STD-97	NUT, Slotted, 1/4-28					8	J
6	68835	GEAR, Accessory idler drive					1	J
7	30311	BEARING, Accessory idler gear					1	J
8	74412	PLATE, Accessory drive shaft adapter					1	J
9	AN501A416-12	SCREW, Fill. hd., drilled, 1/4-28 x 3/4 in. long					4	J
10	67642	LOCKWASHER, Accessory drive shaft					1	J
11	67641	NUT, Accessory drive shaft					1	J
12	72437	GASKET, Supercharger housing					1	J*
13	69700	COVER, Accessory housing (rear)					1	J*
14	STD-8	WASHER, Plain, 1/4 in.					11	J*
15	STD-160	WASHER, Internal lock, 1/4 in.					11	J*
16	STD-9	NUT, Plain, 1/4-28					11	J*

* - Although the crosswise accessory model engines, covered in this catalog, are not supercharged, they do employ gasket Avco Lycoming P/N 72437. Ref. nos. 12 thru 16 see figure 19 page 3-6 .

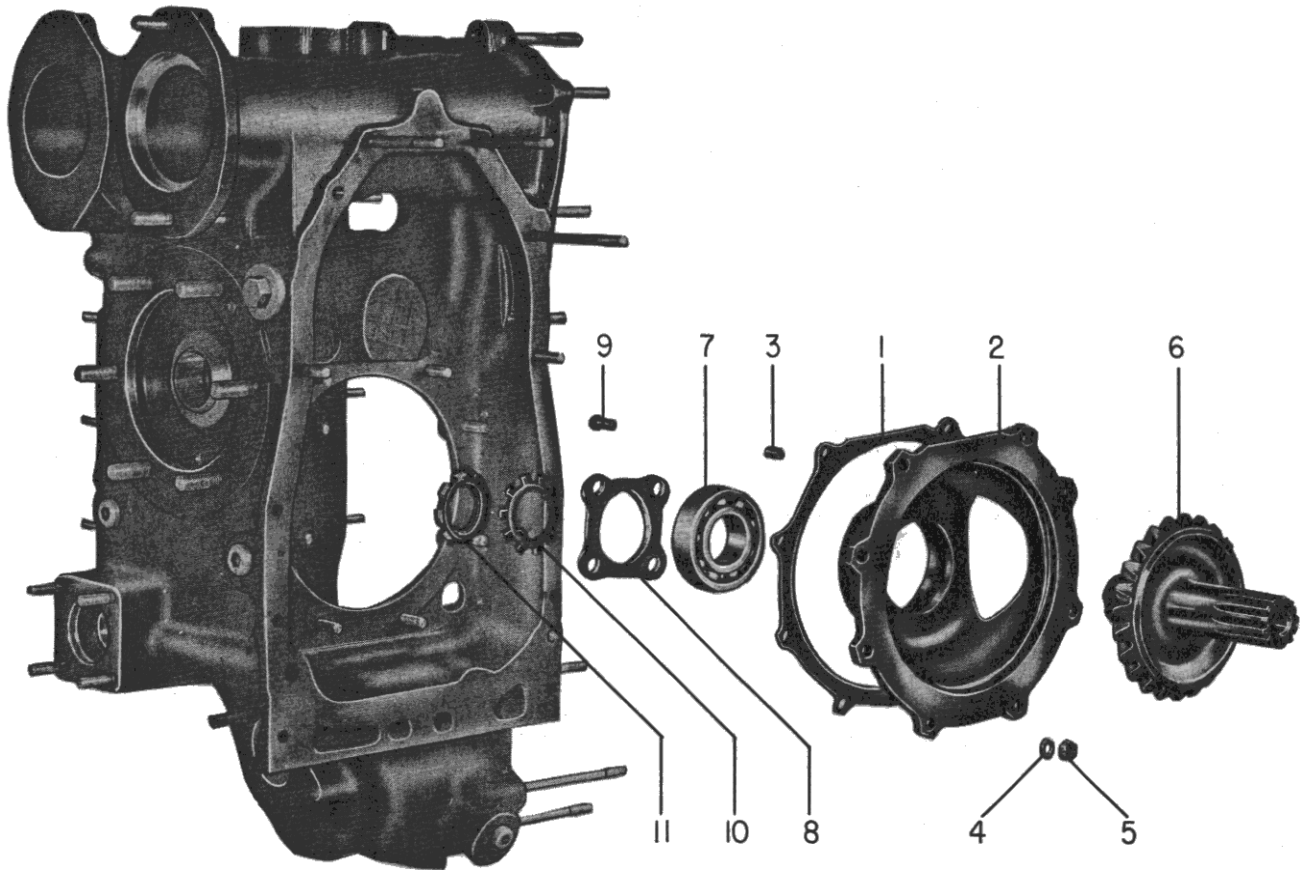


Figure 25 - Main Accessory Drives
(Crosswise Acc'y. Engines)

AVCO LYCOMING AIRCRAFT ENGINE GROUP ASSEMBLY PARTS LIST

GO-480-B, -D AND -F6 SERIES

SECTION III (CONT.)

3-13 - ACCESSORY COVERS, GASKETS AND ATTACHING PARTS

REF. NO.	PART NUMBER	DESCRIPTION					QTY. PER ENG.	MODEL USAGE
		1	2	3	4	5		
1	AN4047-1	GASKET, Accessory drive					2	B See note
2	671-B	COVER, Starter and generator					1	A, C
	671-B	COVER, Starter and generator					2	B
3	STD-33	WASHER, Plain, 3/8 in.					6	A, C
4	STD-678	WASHER, Internal lock, 3/8 in.					6	A, C
5	STD-596	NUT, Plain, 3/8 in.					6	A, C
	STD-33	WASHER, Plain, 3/8 in.					12	B
	STD-678	WASHER, Internal lock, 3/8 in.					12	B
	STD-596	NUT, Plain, 3/8 in.					12	B
6	45684	GASKET, Starter					1	A, C
7	69585	COVER, Starter					1	A, C
8	STD-35	WASHER, Plain, 5/16 in.					6	A, C
9	STD-475	WASHER, Internal lock, 5/16 in.					6	A, C
10	STD-37	NUT, Plain, 5/16-24					6	A, C
11	8313	GASKET, Vacuum pump					1	A, C
	8313	GASKET, Vacuum pump					2	B
12	1027-C	GASKET, Generator					1	A, C
13	60430	COVER, Vacuum pump					1	A, C
	60430	COVER, Vacuum pump					2	B
14	STD-8	WASHER, Plain, 1/4 in.					4	A, C
15	STD-160	WASHER, Internal lock, 1/4 in.					4	A, C
16	STD-9	NUT, Plain, 1/4-28					4	A, C
	STD-8	WASHER, Plain, 1/4 in.					8	B
	STD-160	WASHER, Internal lock, 1/4 in.					8	B
	STD-9	NUT, Plain, 1/4-28					8	B
17	1691-C	GASKET, Fuel pump					1	A, B, C
18	60431	COVER, Fuel pump					1	A, B, C
19	STD-35	WASHER, Plain, 5/16 in.					4	A, B, C
20	STD-475	WASHER, Internal lock, 5/16 in.					4	A, B, C
21	STD-37	NUT, Plain, 5/16-24					4	A, B, C
22	20415	GASKET, Hydraulic pump					1	B
23	72412	COVER, Hydraulic pump					1	B
24	STD-35	WASHER, Plain, 5/16 in.					4	B
25	STD-475	WASHER, Internal lock, 5/16 in.					4	B
26	STD-37	NUT, Plain, 5/16-24					4	B

NOTE

All parts above marked "B" are for crosswise accessory model engines, and are illustrated on crosswise housings.

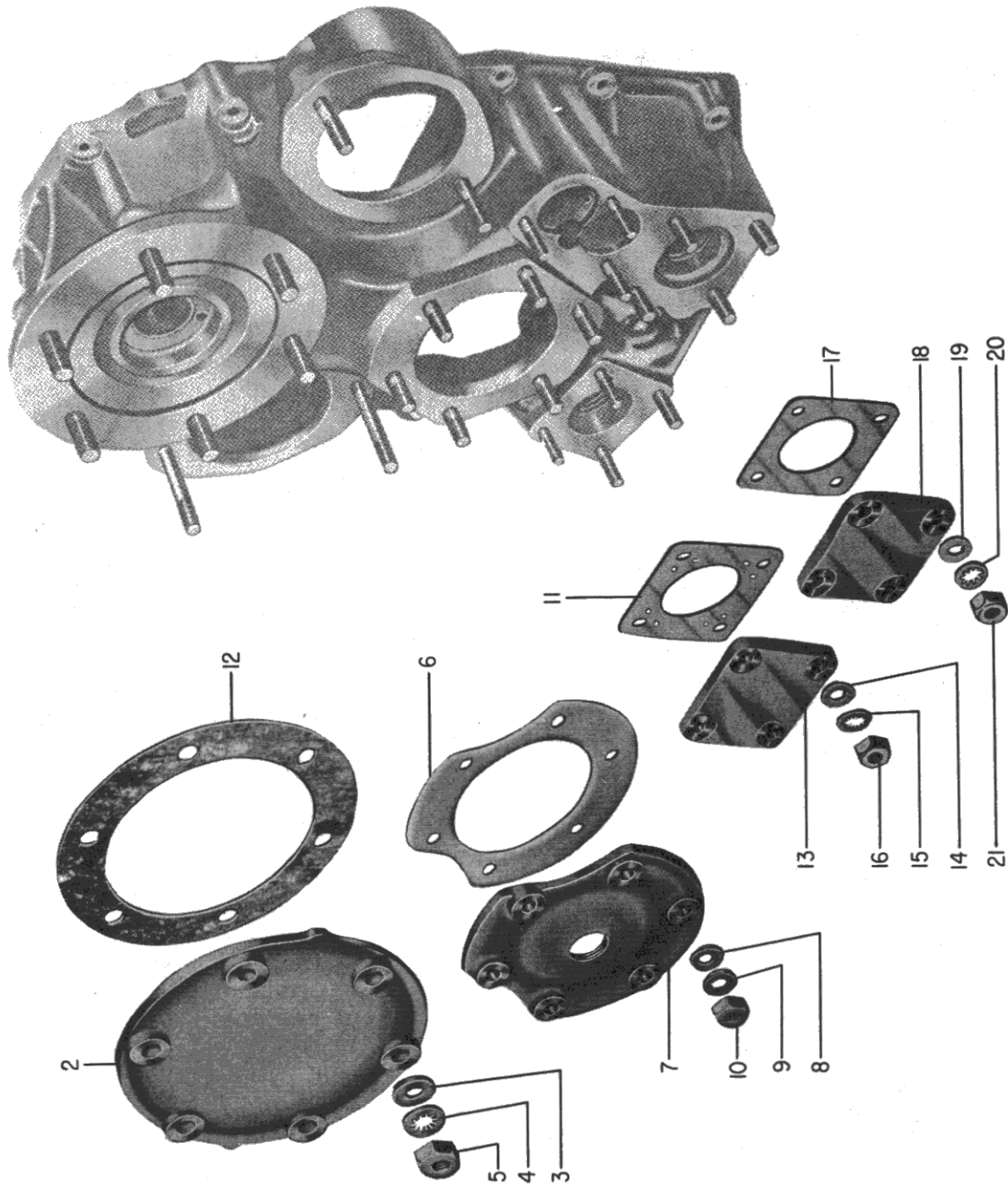


Figure 26 - Accessory Housing Covers, Gaskets and Attaching Parts

AVCO LYCOMING AIRCRAFT ENGINE GROUP ASSEMBLY PARTS LIST

GO-480-B, -D AND -F6 SERIES
SECTION III (CONT.)
3-14 - ACCESSORY HOUSING ATTACHING PARTS

REF. NO.	PART NUMBER	DESCRIPTION					QTY. PER ENG.	MODEL USAGE
		1	2	3	4	5		
1	STD-8						16	A, B, C, D
	STD-8						13	E
2	STD-160						10	A, B
	STD-160						12	C, D, E
3	STD-1230						3	A, B, C, D
	STD-1230						1	E
4	STD-9						10	A, B
	STD-9						12	C, D
	STD-9						11	E
5	AN4-17A						1	A, B, C, D
6	STD-1879						1	E
7	STD-97						2	A, B
8	STD-68						2	A, B

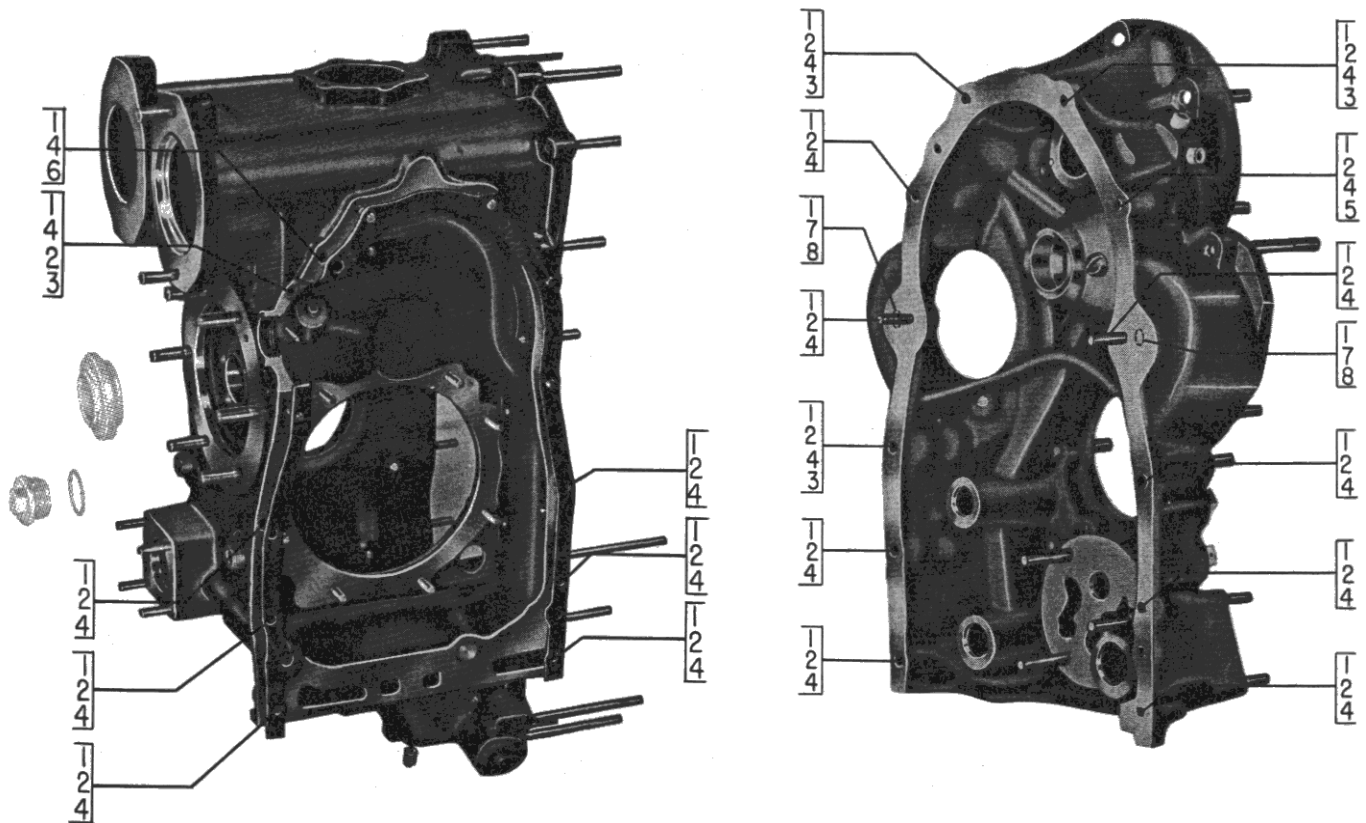


Figure 26A - Accessory Housing Attaching Parts

AVCO LYCOMING PARTS CATALOG
GO-480-B, -D AND -F6 SERIES

SECTION IV

CYLINDER, PISTON AND VALVE TRAIN

AVCO LYCOMING PARTS CATALOG

GO-480-B, -D AND -F6 SERIES

SECTION IV

CYLINDER, PISTON AND VALVE TRAIN

Page Numbers

Engine Model	Page Numbers										Intercylinder Baffle Assemblies 4-10	
	Connecting Rod Assembly 4-2	Piston and Ring Assembly 4-3	Cylinder Assembly 4-4	Valves and Valve Springs 4-5	Shroud Tubes and Push Rod Assemblies 4-6	Valve Rocker Assembly 4-7	Cylinder Head Oil Drain Tube Assemblies 4-8	Exhaust Flanges 4-9				
GO-480-B	A	A	A, B	A	A	A	A	A	A, B	A	A	A
GO-480-B1A6	D	A	A, B	A	A	A	A	A	A, B	A	A	A
GO-480-B1B	B	A	A	A	A	A	A	A	A, B	A	A	A
GO-480-B1C	B	A	A, B	A	A	A	A	A	A, B	A	A	A
GO-480-B1D	B	A	A, B	A	A	A	A	A	A, B	A	A	A
GO-480-D1A	F	A	E, F	B	B	B	B	B	C	B	B	B
GO-480-F6	E	A	C, D	C	C	C	C	C	C	C	C	C
GO-480-F1A6	E	A	C, D	C	C	C	C	C	C	C	C	C
GO-480-F2A6	E	A	C, D	C	C	C	C	C	C	C	C	C
GO-480-F4A6	E	A	C, D	C	C	C	C	C	C	C	C	C

AVCO LYCOMING AIRCRAFT ENGINE GROUP ASSEMBLY PARTS LIST

GO-480-B, -D AND -F6 SERIES
SECTION IV
4-2 - CONNECTING ROD ASSEMBLY

REF. NO.	PART NUMBER	DESCRIPTION					QTY. PER ENG.	MODEL USAGE
		1	2	3	4	5		
1	78029	CONNECTING ROD ASSEMBLY					6	A, B, E
	78028	CONNECTING ROD ASSEMBLY					6	D, F
2	65819	BUSHING, Connecting rod, upper					6	A, B, D, E, F
3	78027	BOLT, Connecting rod					12	A, B, D, E, F*
4	74646	NUT, Connecting rod					12	A, B, D, E, F
5	69373	BEARING, Connecting rod					12	A, B, E
	72218	BEARING, Connecting rod					12	D, F

* - Rod bolt torque is 40 ft. lbs.

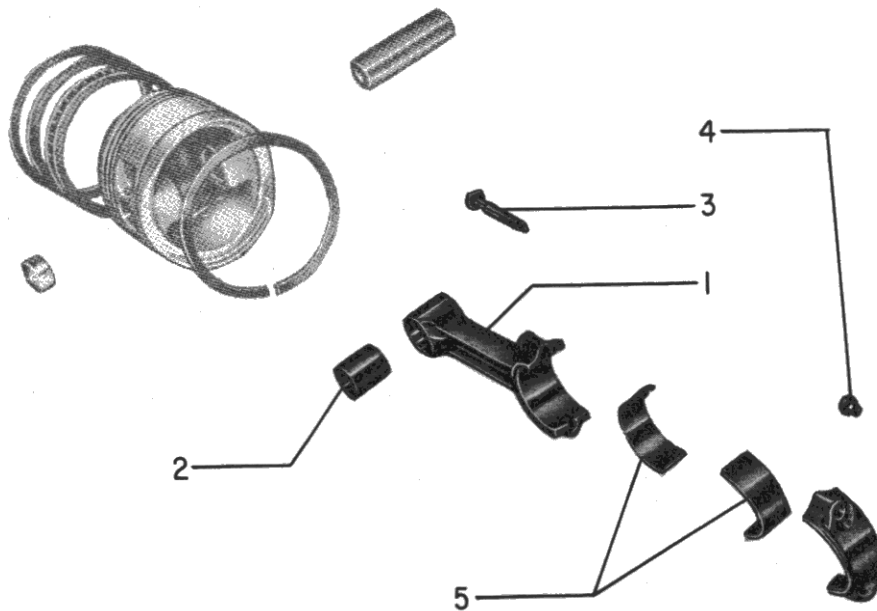


Figure 27 - Connecting Rod and Bearing Assembly

AVCO LYCOMING AIRCRAFT ENGINE GROUP ASSEMBLY PARTS LIST

GO-480-B, -D AND F6 SERIES
SECTION IV (CONT.)
4-3 - PISTON AND RING ASSEMBLY

REF. NO.	PART NUMBER	1	2	3	4	5	DESCRIPTION	QTY. PER ENG.	MODEL USAGE
1	78762						PISTON, 3 ring	6	See note
	69236						PISTON, 4 ring	6	
	73976-S						PISTON, 5 ring	6	
2	69650						PIN, Piston	6	
3	60828						PLUG, Piston pin	12	
4	68513						RING, Piston, compression	12*	
	71556						RING, Piston, compression	12	
	74673						RING, Piston, compression	18	
	74241						RING, Piston, compression	12*	
5	69457						RING, Piston, oil regulating, expander type	6*	
	72454						RING, Piston, oil regulating, expander type	6	
	73998						RING, Piston, oil regulating, expander type	6	
	73857						RING, Piston, oil regulating, expander type	6*	
6	69330						RING, Piston, scraper	6*	
	69235						RING, Piston scraper	6	

* - Chrome rings.

NOTE

Above parts listings are applicable to all engine models covered in this catalog.

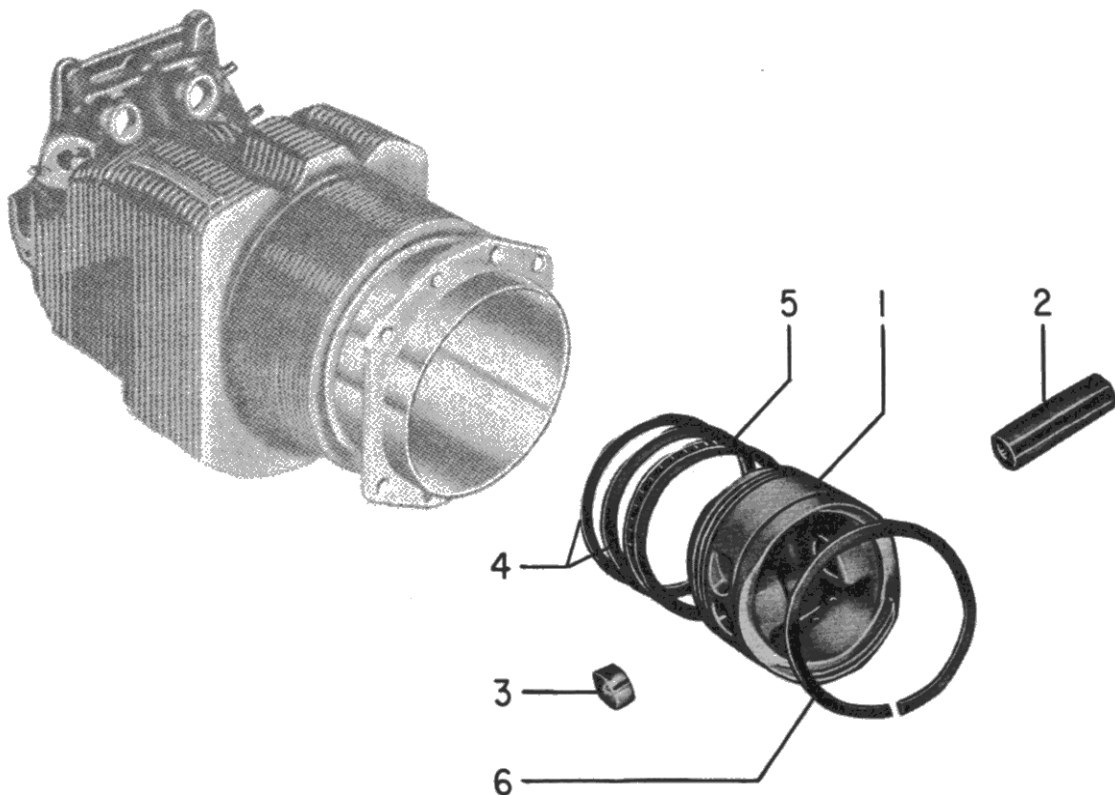


Figure 28 - Piston and Ring Assembly

AVCO LYCOMING AIRCRAFT ENGINE GROUP ASSEMBLY PARTS LIST

GO-480-B, -D AND -F6 SERIES

SECTION IV (CONT.)

4-4 - CYLINDER ASSEMBLIES

REF. NO.	PART NUMBER	DESCRIPTION					QTY. PER ENG.	MODEL USAGE
		1	2	3	4	5		
1	75929	CYLINDER ASSEMBLY, Nitrided					6	A, C, E
	75928	CYLINDER ASSEMBLY, Chrome					6	B, D, F
	76552	CYLINDER ASSEMBLY, Plain					6*	
2	71895	SEAT, Intake valve					6	A, B, C, D, E, F
3	71894	SEAT, Exhaust valve					6	A, B, C, D, E, F
4	66713	GUIDE, Intake valve					6	A, B, C, D, E, F
5	72897	GUIDE, Exhaust valve					6	A, B, C, D, E, F
	69693	GUIDE, Exhaust valve					6*	
6	66670	BUSHING, Rocker shaft, inner					24*	A, B, C, D, E, F
7	66796	INSERT, Spark plug, 18-1.5MM (short reach)					12*	A, B, C, D, E, F
8	31-12	STUD, 5/16-18 x 1-1/2 in. long					12*	A, B, C, D, E, F
9	25-8	STUD, 1/4-20 x 1.00 in. long					24*	A, B, C, D, E, F
	25-12	STUD, 1/4-20 x 1-1/2 in. long					12*	E, F
10	AN823-6D	ELBOW, 3/8 in., flared tube and 1/4 in. pipe thread, 45°					6*	A, B, C, D, E, F
11	72343	STABILIZER, Cylinder head fins, 15 teeth					6*	A, B, C, D, E, F
12	72344	STABILIZER, Cylinder head fins, 26 teeth					6*	A, B, C, D, E, F
13	73946	STABILIZER, Cylinder head fins, 20 teeth					6*	A, B, C, D, E, F

* - Parts marked in this manner are for Cylinder Assembly, Avco Lycoming P/N 76552 which incorporates a 7/16 inch stem diameter exhaust valve.

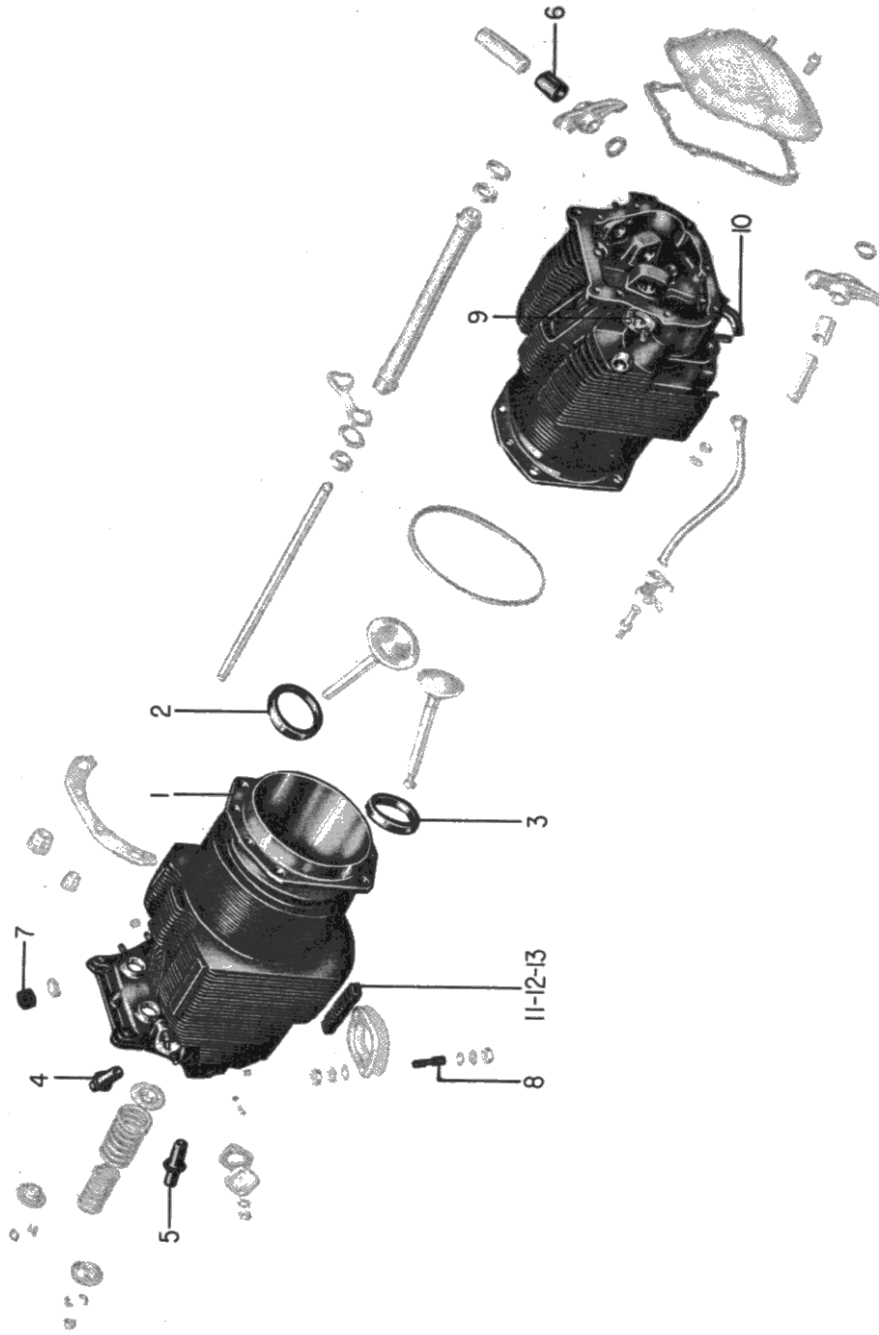


Figure 29 - Cylinder Assembly

AVCO LYCOMING AIRCRAFT ENGINE GROUP ASSEMBLY PARTS LIST

GO-480-B, -D AND -F6 SERIES
SECTION IV (CONT.)
4-5 - VALVES AND VALVE SPRINGS

REF. NO.	PART NUMBER	1	2	3	4	5	DESCRIPTION	QTY. PER ENG.	MODEL USAGE
1	73129						VALVE, Intake	6*	A, B, C
2	73111						VALVE, Exhaust, rotator type	6	A, B, C
	71381						VALVE, Exhaust	6*	
3	68325						SEAT, Valve spring lower, intake	6*	A, B, C
4	73112						SEAT, Valve spring lower, exhaust	6	A, B, C
5	68326						SPRING, Valve outer	12*	A, B, C
6	68328						SPRING, Valve, auxiliary	12*	A, B, C
7	73115						SEAT, Valve spring, exhaust	6	A, B, C
	69698						SEAT, Valve spring, exhaust	6*	
8	68327						SEAT, Valve spring, intake	6*	A, B, C
9	MS-13997-3						KEY, Valve, exhaust	12	A, B, C
	72050						KEY, Valve, exhaust	12*	
10	60009						KEY, Valve, intake	12*	A, B, C
11	MS-13998-3						CAP, Valve stem, exhaust	6	A, B, C
	69697						CAP, Valve stem, exhaust	6*	
12	1102						PLUG, 1/8 in. pipe x 3/8 in. long	6**	A, B, C

* - Parts marked in this manner denote parts being maintained for 7/16 in. stem diameter exhaust valves.

** - Plug is used if priming system not included.

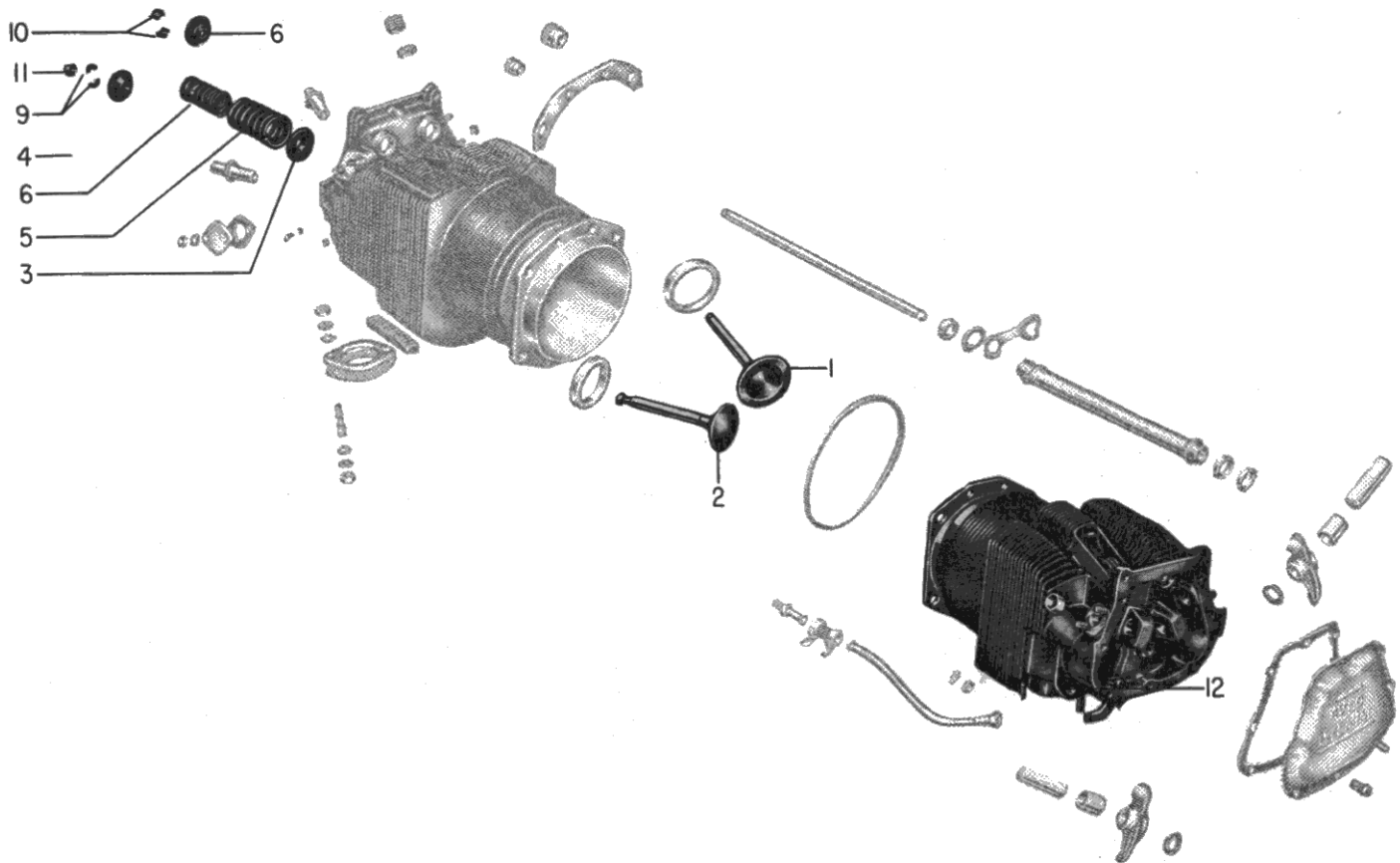


Figure 30 - Valves and Valve Springs

AVCO LYCOMING AIRCRAFT ENGINE GROUP ASSEMBLY PARTS LIST

GO-480-B, -D AND -F6 SERIES
SECTION IV (CONT.)
4-6 - SHROUD TUBE AND PUSH ROD ASSEMBLIES

REF. NO.	PART NUMBER	DESCRIPTION					QTY. PER ENG.	MODEL USAGE
		1	2	3	4	5		
1	75775	SHROUD TUBE ASSEMBLY, Push rod					12	A, B, C
2	66717	SPRING, Shroud tube					6	A, B, C
3	66728	WASHER, 25/32 ID x 1-1/4 OD x 1/32 in. thick					24	A, B, C
4	61503	SLEEVE, Shroud tube seal					12	A, B, C
5	62922	SEAL, Shroud tube					24	A, B, C
6	71481	RING, Oil seal, 3/32 dia. section x 4-27/32 ID					6	A, B, C
7	71133	NUT, Cylinder hold down, 1/2 in. -20 NF-3					24	A, B, C
8	71134	NUT, Cylinder hold down, 3/8 in. -24 NF-3					24	A, B, C
9	73434	ROD ASSEMBLY, Push					AR/5	A, B, C
	73435	ROD ASSEMBLY, Push					AR/6	A, B, C
	73436	ROD ASSEMBLY, Push					AR/1	A, B, C

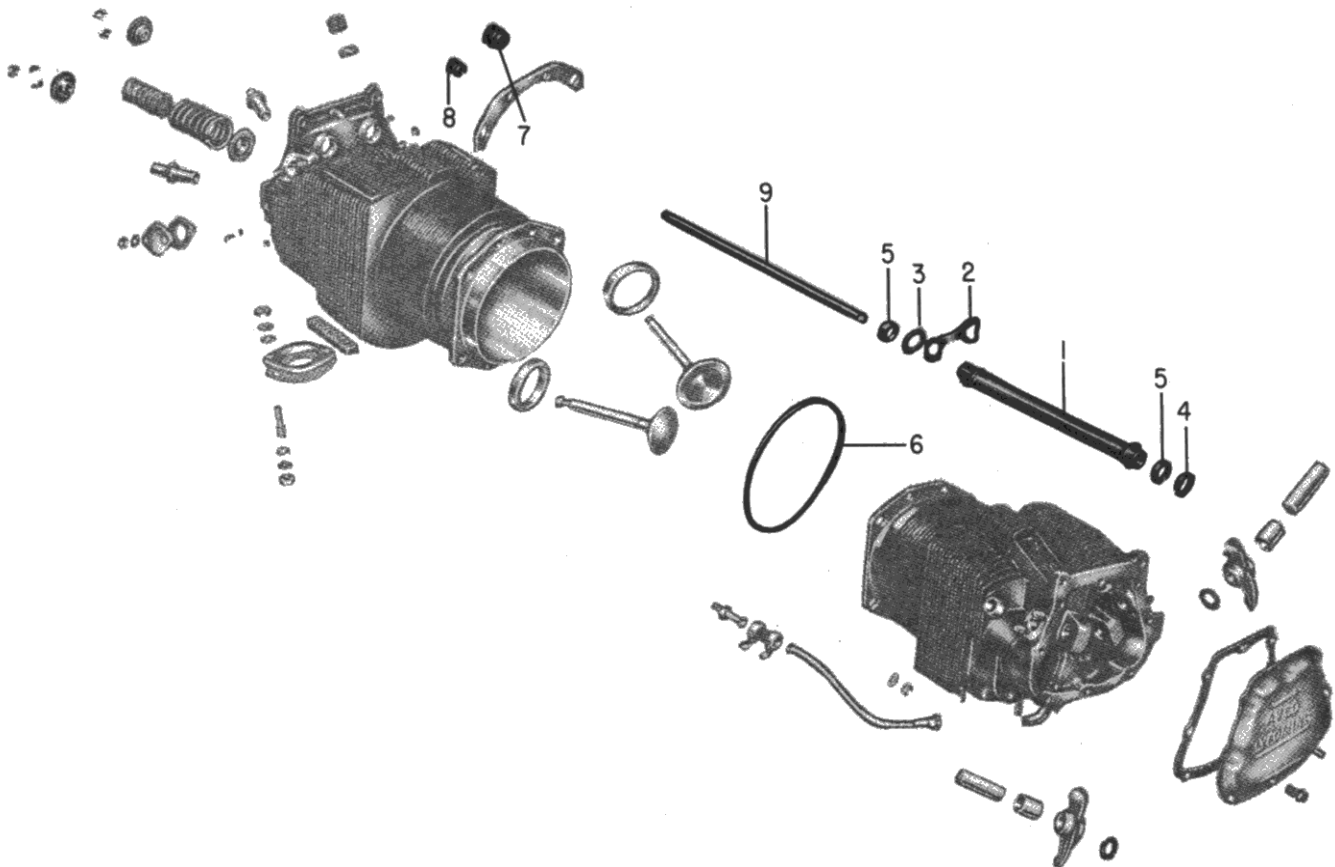


Figure 31 - Shroud Tube and Push Rod Assemblies

AVCO LYCOMING AIRCRAFT ENGINE GROUP ASSEMBLY PARTS LIST

GO-480-B, -D AND -F6 SERIES
SECTION IV (CONT.)
4-7 - VALVE ROCKER ASSEMBLY

REF. NO.	PART NUMBER	DESCRIPTION					QTY. PER ENG.	MODEL USAGE
		1	2	3	4	5		
1	71549	WASHER, Valve rocker, thrust					12	A, B, C
2	71266	ROCKER ASSEMBLY, Intake valve					6	A, B, C
	67113	ROCKER ASSEMBLY, Intake valve					6*	
3	71265	ROCKER ASSEMBLY, Exhaust valve					6	A, B, C
	67112	ROCKER ASSEMBLY, Exhaust valve					6*	
4	72626	SHAFT, Valve rocker					12	A, B, C
5	66732	GASKET, Valve rocker shaft cover					12	A, B, C
6	66731	COVER, Valve rocker shaft					12	A, B, C
7	STD-160	WASHER, Internal lock, 1/4 in.					24	A, B, C
8	STD-9	NUT, Plain, 1/4-28					24	A, B, C
9	67193	GASKET, Rocker box cover					6	A, B, C
10	68795	COVER ASSEMBLY, Rocker box					6	A, B, C
11	STD-1925	SCREW, Pan hd., self-locking, 1/4-20 x 5/8 in. long					48	A, B, C
12	74494	PLATE, Spark plug reach caution, not ill.					6	A, B, C

* - Parts marked in this manner denote parts being maintained in stock for 7/16 in. stem diameter, sodium cooled exhaust valves.

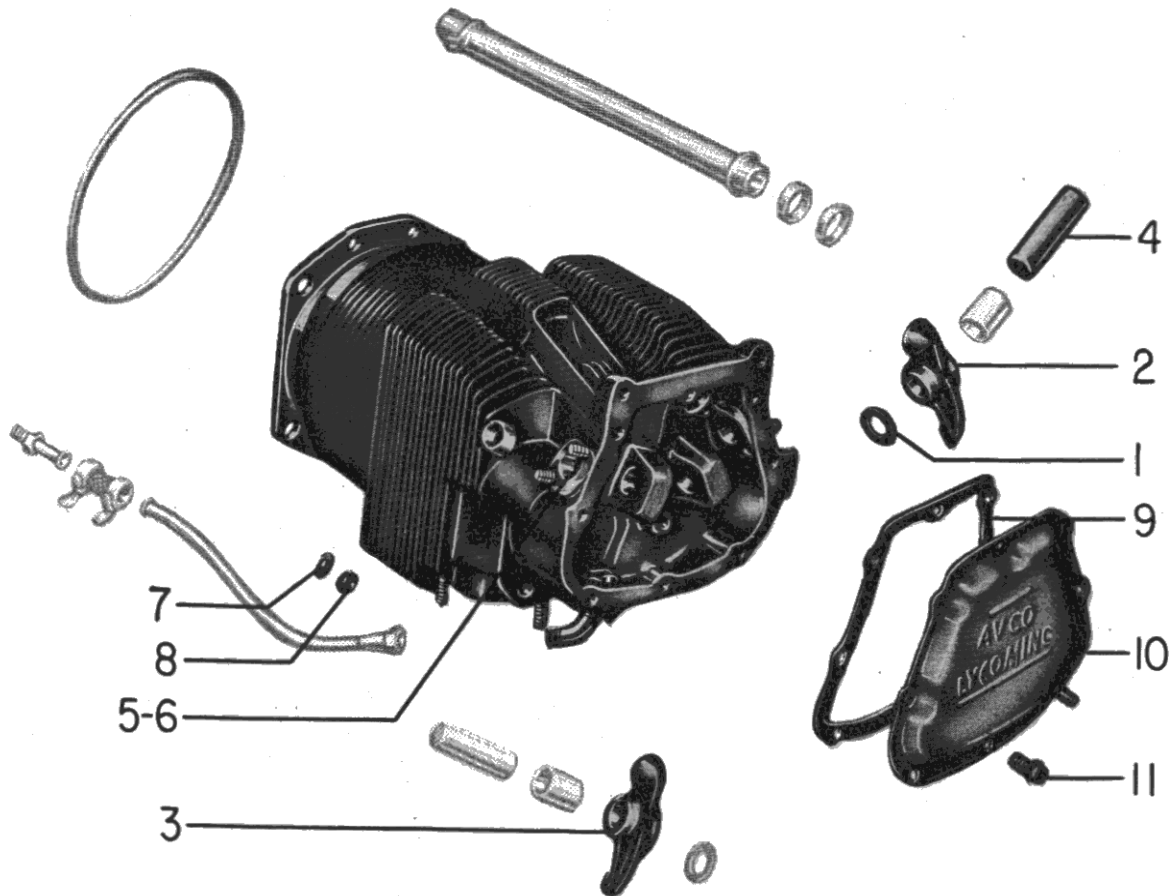


Figure 32 - Valve Rocker Assembly

AVCO LYCOMING AIRCRAFT ENGINE GROUP ASSEMBLY PARTS LIST

GO-480-B, -D AND -F6 SERIES

SECTION IV (CONT.)

4-8 - CYLINDER HEAD OIL DRAIN TUBE ASSEMBLIES

REF. NO.	PART NUMBER	DESCRIPTION					QTY. PER ENG.	MODEL USAGE
		1	2	3	4	5		
1	67787	TUBE ASSEMBLY, Cylinder head, oil drain					6	A, B, C
2	STD-684	NIPPLE, Straight, 3/8 ID hose					6	A, B, C
3	STD-1821	HOSE, 3/8 ID x 2-1/2 in. long					6	A, B, C
4	STD-1924	CLAMP, Hose, 1/2 to 3/4 ID x 5/8 in. wide					12	A, B, C

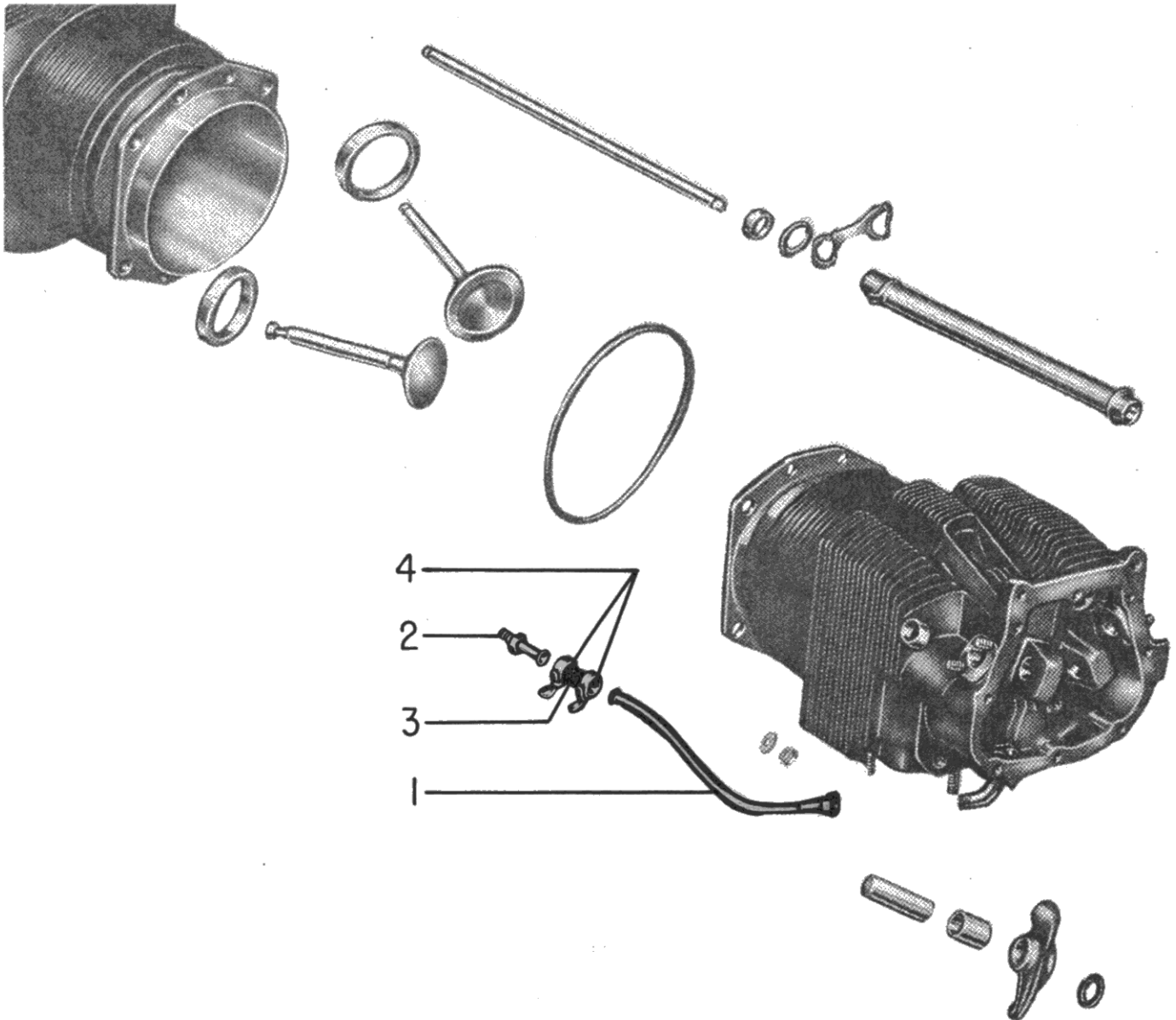


Figure 33 - Cylinder Drain Tube Assemblies

AVCO LYCOMING AIRCRAFT ENGINE GROUP ASSEMBLY PARTS LIST

GO-480-B, -D AND -F6 SERIES

SECTION IV (CONT.)

4-9 - EXHAUST FLANGES AND ATTACHING PARTS

REF. NO.	PART NUMBER	DESCRIPTION					QTY. PER ENG.	MODEL USAGE
		1	2	3	4	5		
1	STD-35	WASHER, Plain, 5/16 in.					12	A, B, C
2	STD-475	WASHER, Internal lock, 5/16 in.					12	A, B, C
3	STD-37	NUT, Plain, 5/16-24					12	A, B, C
4	67195	FLANGE, Exhaust					6	B
5	67196	GASKET, Exhaust flange					6	B

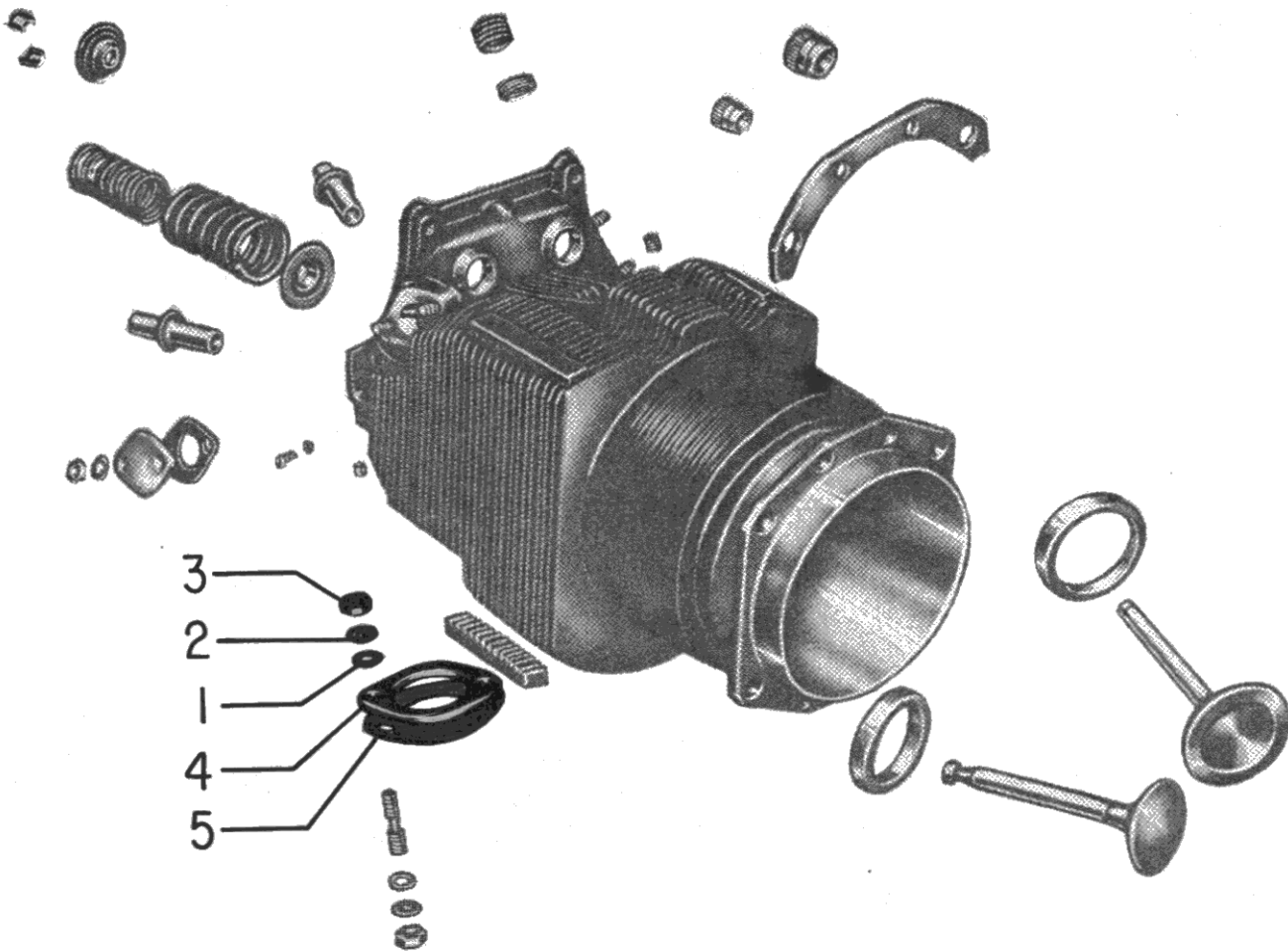


Figure 34 - Exhaust Flange and Attaching Parts

AVCO LYCOMING AIRCRAFT ENGINE GROUP ASSEMBLY PARTS LIST

GO-480-B, -D AND -F6 SERIES
SECTION IV (CONT.)
4-10 - INTERCYLINDER BAFFLE ASSEMBLIES

REF. NO.	PART NUMBER						DESCRIPTION	QTY. PER ENG.	MODEL USAGE
		1	2	3	4	5			
1	69948						BAFFLE ASSEMBLY, Intercylinder	3	A, C
1A	69947						BAFFLE ASSEMBLY, Intercylinder	4	B
2	69928						BAFFLE ASSEMBLY, Intercylinder	1	A, C
3	71610						HOOK, Intercylinder baffle retainer	4	A, B, C
4	71611						RETAINER, Intercylinder baffle	4	A, B, C
5	65614						PLUG, Baffle attaching, Fig. 30, Page 4-5	4	B
6	STD-1687						WASHER, External lock, #10, Fig. 30, Page 4-5	4	B
7	STD-1686						SCREW, Fill hd., #10-32 x 7/16 in. long, Fig. 30, Page 4-5	4	B
8	71066						CLIP, Rear baffle upper attachment, Not Ill.	2*	C
9	71067						CLIP, Assembly, left rear baffle, Not Ill.	1*	C

* - For Beech installations only.

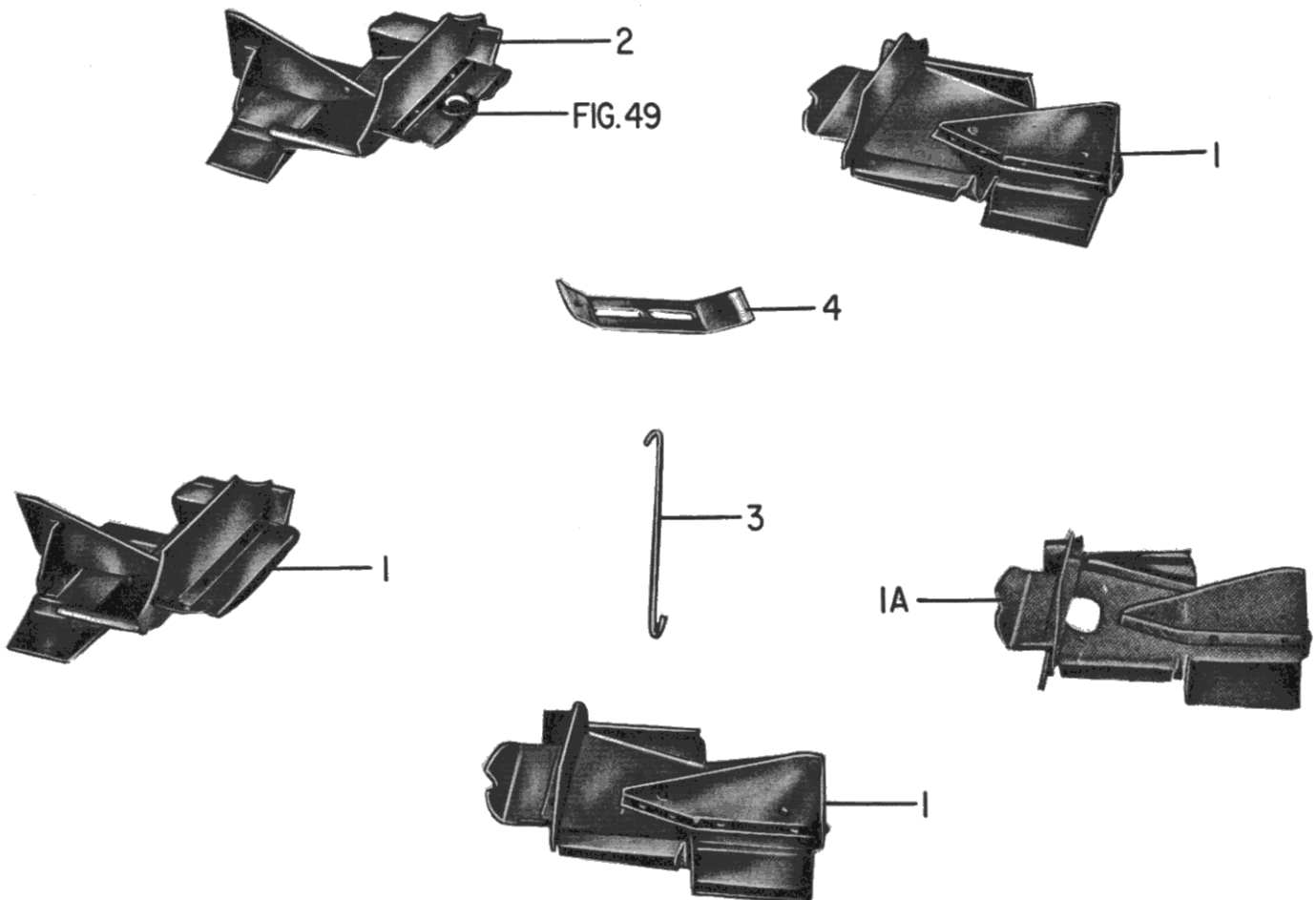


Figure 35 - Intercylinder Baffle Assembly

AVCO LYCOMING PARTS CATALOG
GO-480-B, -D AND -F6 SERIES

SECTION V

ELECTRICAL COMPONENTS

AVCO LYCOMING PARTS CATALOG

GO-480-B, -D AND -F6 SERIES

SECTION V

ELECTRICAL COMPONENTS

Page Numbers

Engine Model	Magneto Drives	Magneto Ground Terminal Kits	Harness Assembly	Harness Assembly	Harness Assembly	Harness Assembly	Harness Assembly	Harness Assembly	Harness Assembly	Spark Plug Assembly
	5-2	5-3	78544 5-4	71028 5-5	73927 5-6	70425 5-7	73928 5-8	78545 5-9		5-10
GO-480-B	C, E	A	A	A	A					A
GO-480-B1A6	C, E	A	A	A	A					A
GO-480-B1B	A, B		*	*	*	*	*	*	*	A
GO-480-B1C	C, E	A	A	A	A					A
GO-480-B1D	C, E	A	A	A	A					A
GO-480-D1A	C, D	C				B	B	B	B	B
GO-480-F6	A, B		C	C	C					C
GO-480-F1A6	C, E	E	C	C	C					C
GO-480-F2A6	C, E	E	C	C	C					C
GO-480-F4A6	C, E	E	C	C	C					C

* - GO-480-B1B engines employ service harness, Avco Lycoming P/N's 71914 and 68253. These harnesses have been replaced by LW-10212.

AVCO LYCOMING AIRCRAFT ENGINE GROUP ASSEMBLY PARTS LIST

GO-480-B, -D AND -F6 SERIES

SECTION V

5-2 - MAGNETOS AND MAGNETO DRIVE ASSEMBLIES

REF. NO.	PART NUMBER	DESCRIPTION					QTY. PER ENG.	MODEL USAGE
		1	2	3	4	5		
1	66976	MAGNETO, Type S6LN-51, P/N 10-59415-2, impulse					1	A*
2	66977	MAGNETO, Type S6LN-50, P/N 10-59415-1					1	B*
3	71434	MAGNETO, Type S6LN-21, P/N 10-51365-32, impulse					1	C
4	71435	MAGNETO, Type S6RN-21, P/N 10-51365-34, impulse					1	D
5	71436	MAGNETO, Type S6LN-20, P/N 10-51365-33					1	E
6	65764	GASKET, Magneto adapter					2	A, B
7	65761	ADAPTER, Magneto					2	A, B
8	65734	BEARING, Magneto drive					2	A, B
	60949	BEARING, Magneto drive					2	C, E
9	STD-961	LOCKRING, 2-23/64 OD x 1/16 thick x 3/32 in.					2	A, B
10	65720	GEAR, Magneto					2	A, B
	68961	GEAR ASSEMBLY, Magneto					2	C, E
11	STD-960	CIRCLIP, 1-1/4 in. OD					2	A, B
12	68875	RETAINER, Magneto drive cushion					2	C, D, E
13	68874	CUSHION, Magneto drive					4	C, D, E
14	66519	COUPLING ASSEMBLY, Magneto drive					1	A, B
	66973	COUPLING ASSEMBLY, Magneto drive					1	A, B
15	69567	COUPLING ASSEMBLY, Magneto drive					1	D
16	69208	COUPLING, Magneto drive					1	C
17	62224	GASKET, Magneto					2	A, B, C, D, E
18	STD-1727	WASHER, 3/4 OD x 11/32 ID x 1/8 in. thick					4	A, B, C, E
19	STD-475	WASHER, Shake proof lock, 5/16 in.					4	A, B, C, E
20	STD-37	NUT, Plain, 5/16-24					4	A, B, C, E
21	STD-35	WASHER, Plain, 5/16 in.					1	D
22	STD-475	WASHER, Internal lock, 5/16 in.					1	D
23	STD-37	NUT, Plain, 5/16-24					1	D

* - No longer available.

NOTE

All drive parts for magnetos are listed in Figure 17, Page 3-4 and Figure 20, Page 3-7.

AVCO LYCOMING AIRCRAFT ENGINE GROUP ASSEMBLY PARTS LIST

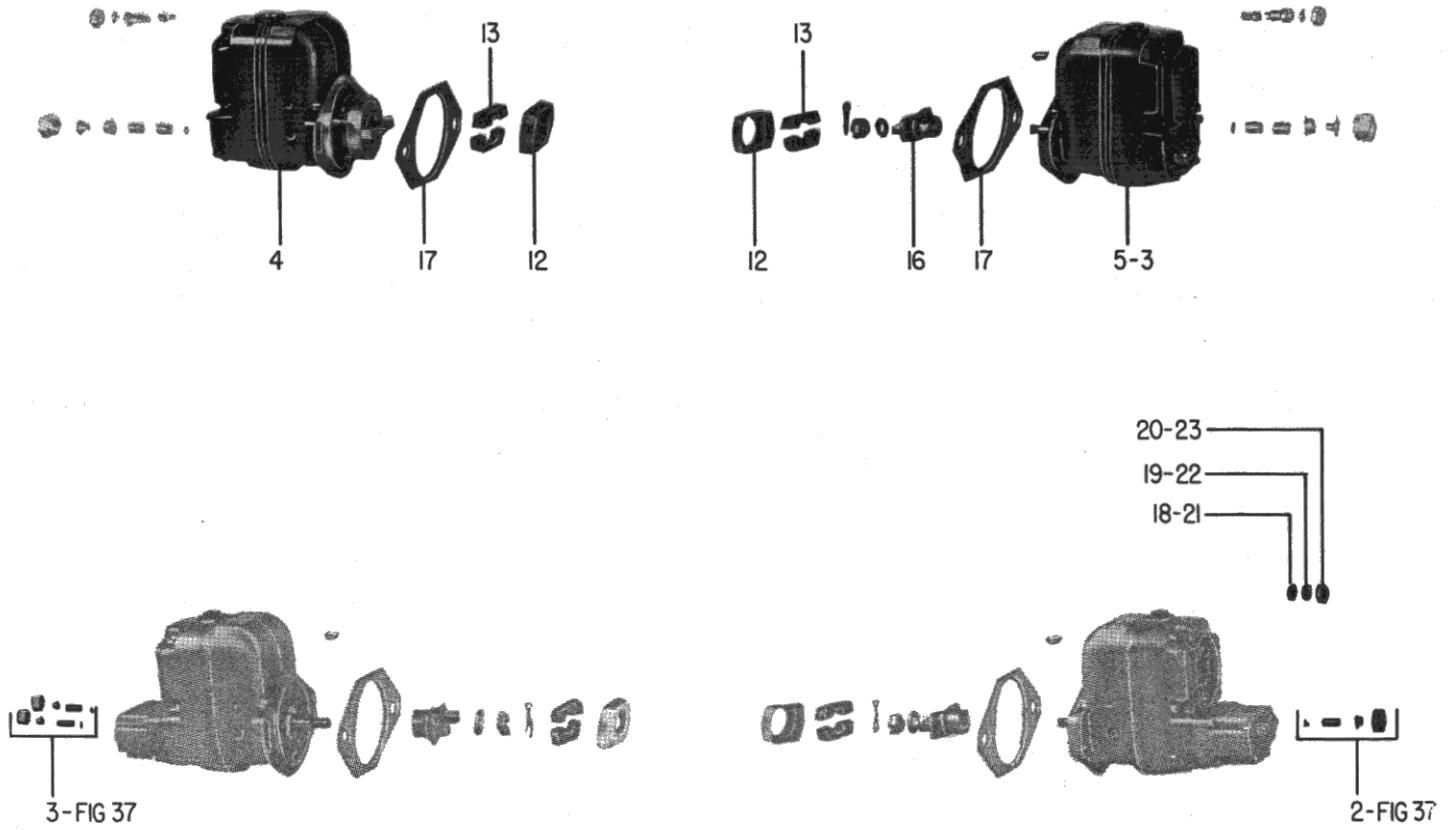


Figure 36 - Magnetos and Magneto Drives

AVCO LYCOMING AIRCRAFT ENGINE GROUP ASSEMBLY PARTS LIST

GO-480-B, -D AND -F6 SERIES
SECTION V (CONT.)
5-3 - MAGNETO GROUND TERMINAL KITS

REF. NO.	PART NUMBER	DESCRIPTION					QTY. PER ENG.	MODEL USAGE
		1	2	3	4	5		
1	61566	KIT ASSEMBLY, Magneto ground terminal					2	A, C, E
2	71574	KIT ASSEMBLY, Magneto ground terminal					2	
3	71571	KIT ASSEMBLY, Magneto retard terminal					1	

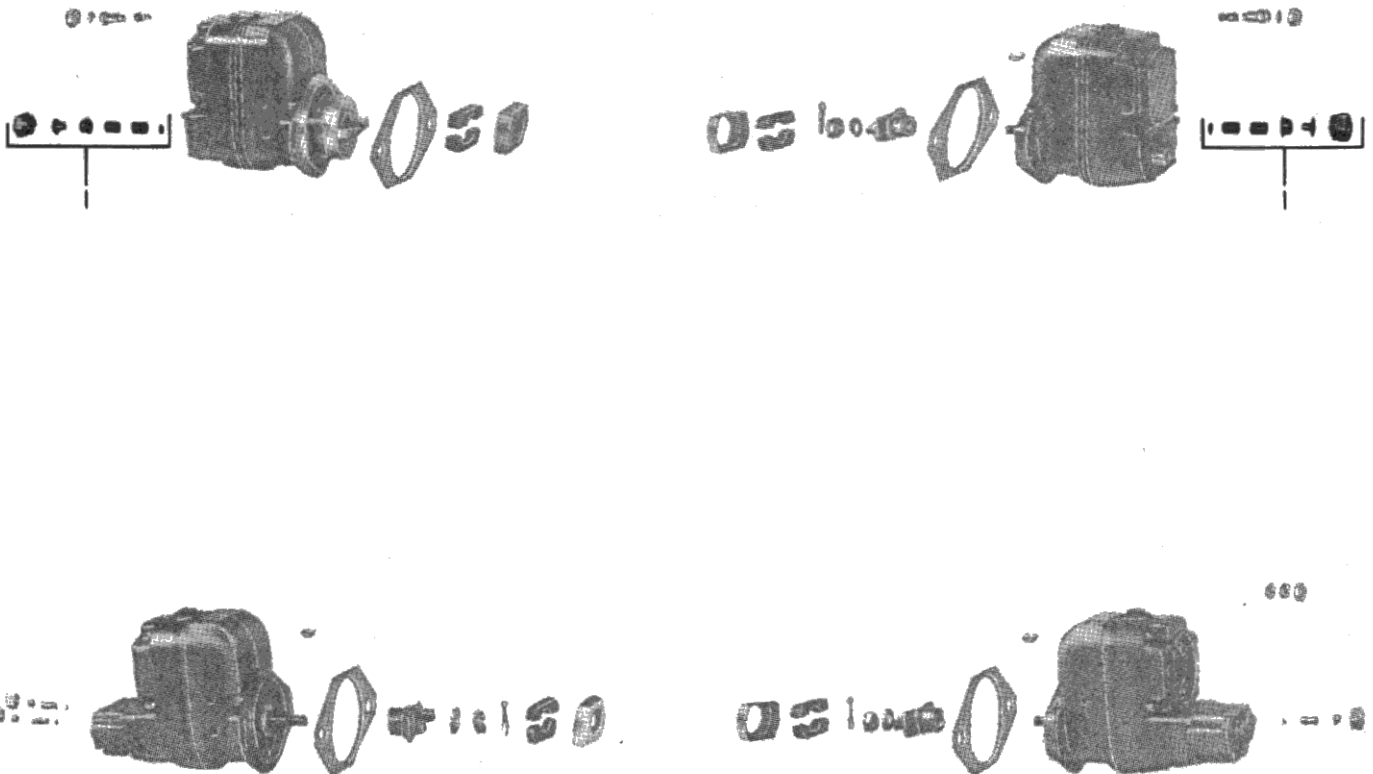


Figure 37 - Kit Assembly, Magneto Ground Terminal

AVCO LYCOMING AIRCRAFT ENGINE GROUP ASSEMBLY PARTS LIST

GO-480-B, -D AND -F6 SERIES
SECTION V (CONT.)
5-4 - IGNITION HARNESS ASSEMBLY P/N 78544

REF. NO.	PART NUMBER	DESCRIPTION					QTY. PER ENG.	MODEL USAGE
		1	2	3	4	5		
1	78544	CABLE ASSEMBLY, Ignition shielded, 5MM					1	A
2	76982	PLATE, Magneto					2	A
3	76983	GROMMET, Magneto					2	A
4	76753	SLEEVING RING, Plastic, bottom					6	A
5	76729	RING, Retaining					12	A
6	73245	EYELET					12	A
7	76726	INTERSLEEVE, Brass					12	A
8	76728	SLEEVE					12	A
9	75941	TAPE, Ignition harness					1	A
10	76757	NUT, Spark plug, 5/8-24					12	A
11	76747	FERRULE, Not Ill.					12	A
12	76755	COLLAR, Silicone					12	A
13	71489	PLUG, Grommet					12	A
14	76721	ELBOW, Spark plug, 70°					12	A
15	76923-48S-70-63	CABLE, Lead, 48 in. 5MM Silicone, all top leads					6	A
16	76923-72S-70-63	CABLE, Lead, 72 in. 5MM Silicone, all bottom leads					6	A

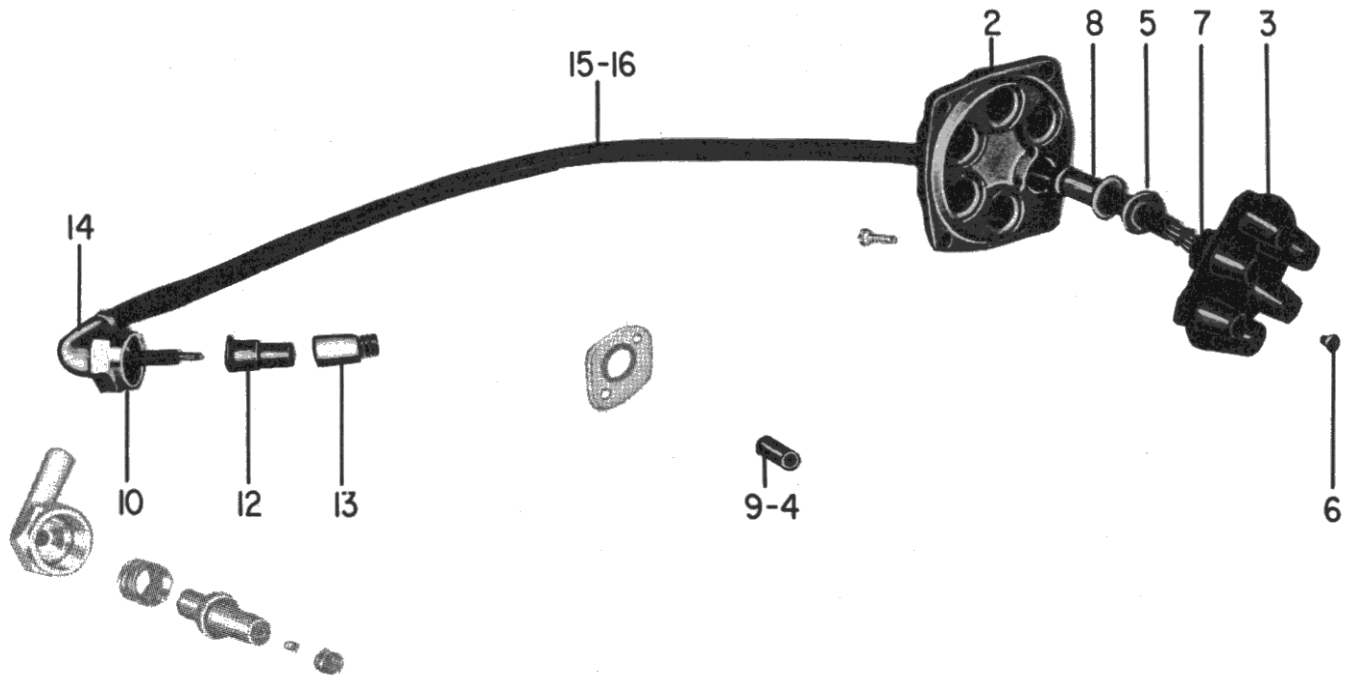


Figure 38 - Ignition Harness Assembly P/N 78544

AVCO LYCOMING AIRCRAFT ENGINE GROUP ASSEMBLY PARTS LIST

GO-480-B, -D AND -F6 SERIES

SECTION V (CONT.)

5-5 - IGNITION HARNESS ASSEMBLY P/N 71028

REF. NO.	PART NUMBER	DESCRIPTION					QTY. PER ENG.	MODEL USAGE
		1	2	3	4	5		
1	71028	CABLE ASSEMBLY, Ignition shielded					1	A, C
2	58244	LEAD ASSEMBLY, Top No. 1, 70° elbow					1	A, C
3	58245	LEAD ASSEMBLY, Top No. 2, 70° elbow					1	A, C
4	58246	LEAD ASSEMBLY, Top No. 3, 70° elbow					1	A, C
5	58247	LEAD ASSEMBLY, Top No. 4, 70° elbow					1	A, C
6	58248	LEAD ASSEMBLY, Top No. 5, 70° elbow					1	A, C
7	58249	LEAD ASSEMBLY, Top No. 6, 70° elbow					1	A, C
8	58250	LEAD ASSEMBLY, Bottom No. 1, 110° elbow					1	A, C
9	58251	LEAD ASSEMBLY, Bottom No. 2, 70° elbow					1	A, C
10	58252	LEAD ASSEMBLY, Bottom No. 3, 110° elbow					1	A, C
11	58253	LEAD ASSEMBLY, Bottom No. 4, 70° elbow					1	A, C
12	58254	LEAD ASSEMBLY, Bottom No. 5, 110° elbow					1	A, C
13	58255	LEAD ASSEMBLY, Bottom No. 6, 70° elbow					1	A, C
14	5422	NAIL					12	A, C
15	5178	SLEEVE					12	A, C
16	5346	CONNECTOR					12	A, C
17	5651	SLEEVE					12	A, C
18	6773	BRACKET					1	A, C
19	6812	BRACKET					1	A, C
20	6811	BRACKET					1	A, C
21	7495	WASHER, Slotted					12	A, C
22	6783	CLAMP					1	A, C
23	6801	CLAMP					1	A, C
24	6800	CLAMP					2	A, C
25	6782	CLAMP					1	A, C
26	6777	CLAMP					1	A, C
27	7493	PLATE					2	A, C
28	5475	CABLE, 5MM, not ill.					AR	A, C
29	5152	NUT					7	A, C
30	6813	BRACKET					2	A, C
31	6778	CLAMP					3	A, C
32	6799	SCREW					7	A, C
33	6802	CLAMP					2	A, C
34	6785	PLATE AND GROMMET					2	A, C
35	5584	ELBOW ASSEMBLY, 70°					9	A, C
36	5585	ELBOW ASSEMBLY, 110°					3	A, C
37	7494	GROMMET					2	A, C

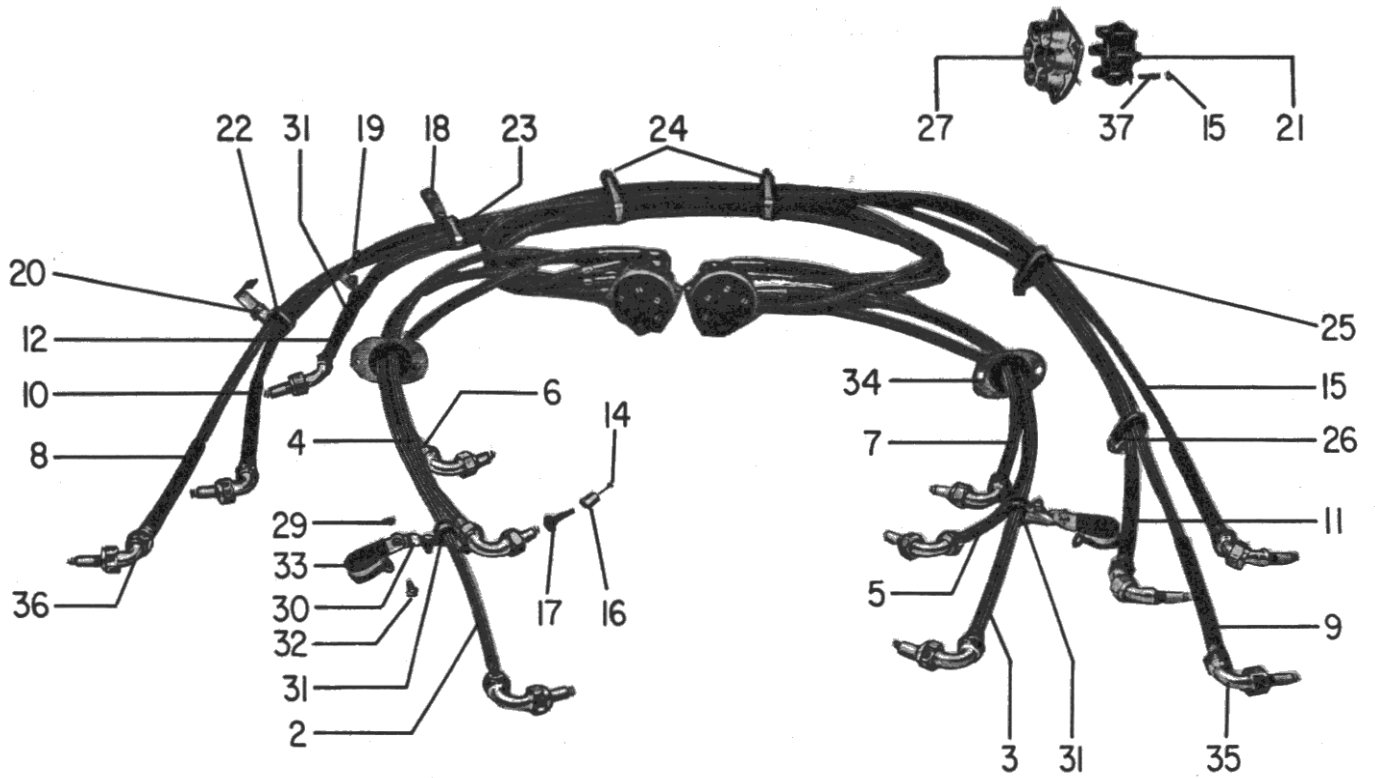


Figure 39 - Ignition Harness Assembly P/N 71028

AVCO LYCOMING AIRCRAFT ENGINE GROUP ASSEMBLY PARTS LIST

GO-480-B, -D AND -F6 SERIES
SECTION V (CONT.)
5-6 - IGNITION HARNESS ASSEMBLY P/N 73927

REF. NO.	PART NUMBER	DESCRIPTION					QTY. PER ENG.	MODEL USAGE
		1	2	3	4	5		
1	73927	CABLE ASSEMBLY, Ignition shielded					1	A, C
2	59487	CONDUIT ASSEMBLY, No. 1 top, 70° elbow					1	A, C
3	59488	CONDUIT ASSEMBLY, No. 2 top, 70° elbow					1	A, C
4	59489	CONDUIT ASSEMBLY, No. 3 top, 70° elbow					1	A, C
5	69490	CONDUIT ASSEMBLY, No. 4 top, 70° elbow					1	A, C
6	59491	CONDUIT ASSEMBLY, No. 5 top, 70° elbow					1	A, C
7	59492	CONDUIT ASSEMBLY, No. 6 top, 70° elbow					1	A, C
8	59493	CONDUIT ASSEMBLY, No. 1 bottom, 110° elbow					1	A, C
9	59494	CONDUIT ASSEMBLY, No. 2 bottom, 70° elbow					1	A, C
10	59495	CONDUIT ASSEMBLY, No. 3 bottom, 110° elbow					1	A, C
11	59496	CONDUIT ASSEMBLY, No. 4 bottom, 70° elbow					1	A, C
12	59497	CONDUIT ASSEMBLY, No. 5 bottom, 110° elbow					1	A, C
13	59498	CONDUIT ASSEMBLY, No. 6 bottom, 70° elbow					1	A, C
14	7724	ELBOW, 70°					9	A, C
15	7726	ELBOW, 110°					3	A, C
16	59465	CABLE, 5MM spec. MIL-C-3162, type 1 grade A, class 2					AR	A, C
17	5028	SPRING ASSEMBLY					12	A, C
18	7410	TERMINAL STUD					12	A, C
19	51581	GROMMET					12	A, C
20	7612	SPRING ASSEMBLY, Inner, Not Ill.					12	A, C
21	5077	CAP, Protector, Not Ill.					12	A, C
22	6773	BRACKET					1	A, C
23	6812	BRACKET					1	A, C
24	6811	BRACKET					1	A, C
25	7495	SLOTTED WASHER (52411 eyelet, alternate)					12	A, C
26	6801	CLAMP					1	A, C
27	6800	CLAMP					2	A, C
28	6783	CLAMP					1	A, C
29	6782	CLAMP					1	A, C
30	6777	CLAMP					1	A, C
31	7493	PLATE					2	A, C
32	5152	NUT					7	A, C
33	6813	BRACKET					2	A, C
34	6778	CLAMP					3	A, C
35	6799	SCREW					7	A, C
36	6802	CLAMP					2	A, C
37	6785	PLATE AND GROMMET ASSEMBLY					2	A, C

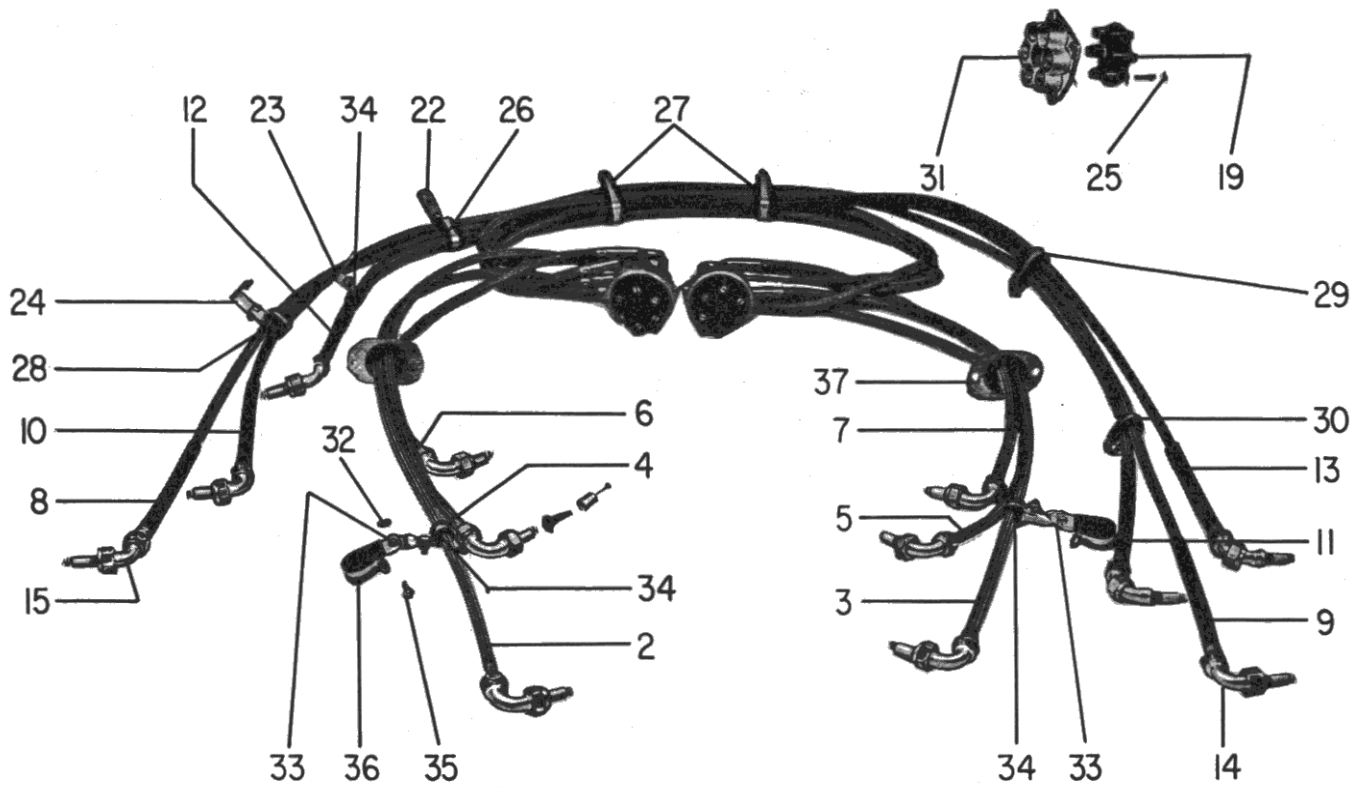


Figure 40 - Ignition Harness Assembly P/N 73927

AVCO LYCOMING AIRCRAFT ENGINE GROUP ASSEMBLY PARTS LIST

GO-480-B, -D AND -F6 SERIES
SECTION V (CONT.)
5-7 - IGNITION HARNESS ASSEMBLY P/N 70425

REF. NO.	PART NUMBER	DESCRIPTION					QTY. PER ENG.	MODEL USAGE	
		1	2	3	4	5			
1	70425	SHIELDING ASSEMBLY, Radio ignition					1	B	See note
2	E1199-603-2300	CABLE ASSEMBLY, No. 1, top					1	B	
3	E1199-602-1908	CABLE ASSEMBLY, No. 2, top					1	B	
4	E1199-603-1600	CABLE ASSEMBLY, No. 3, top					1	B	
5	E1199-603-1308	CABLE ASSEMBLY, No. 4, top					1	B	
6	E1199-602-0812	CABLE ASSEMBLY, No. 5, top					1	B	
7	E1199-603-0904	CABLE ASSEMBLY, No. 6, top					1	B	
8	E1134-109-10	CABLE ASSEMBLY, No. 1, bottom					1	B	
9	E1134-110-20	CABLE ASSEMBLY, Dual lead, No. 2 and No. 4, bottom					2	B	
10	E1134-110-10	CABLE ASSEMBLY, Dual lead, No. 3 and No. 5, bottom					2	B	
11	E1134-109-20	CABLE ASSEMBLY, No. 6, bottom					1	B	
12	E1348-13-10	CLIP ASSEMBLY, 3 cable					1	B	
13	5585	ELBOW, 110°					9	B	
14	5584	ELBOW, 70°					3	B	
15	71489	TERMINAL					12	B	
16	5651	COLLAR, Not Ill.					12	B	
17	71875	WASHER, Not Ill.					12	B	
18	73245	EYELET					12	B	
19	5475	CABLE, 5MM (cut to required length), Not Ill.					AR	B	
20	66835	PLATE, Magneto outlet					2	B	
21	50302	GROMMET					2	B	

NOTE

This harness assembly was used as an option for GO-480-D1A engines.

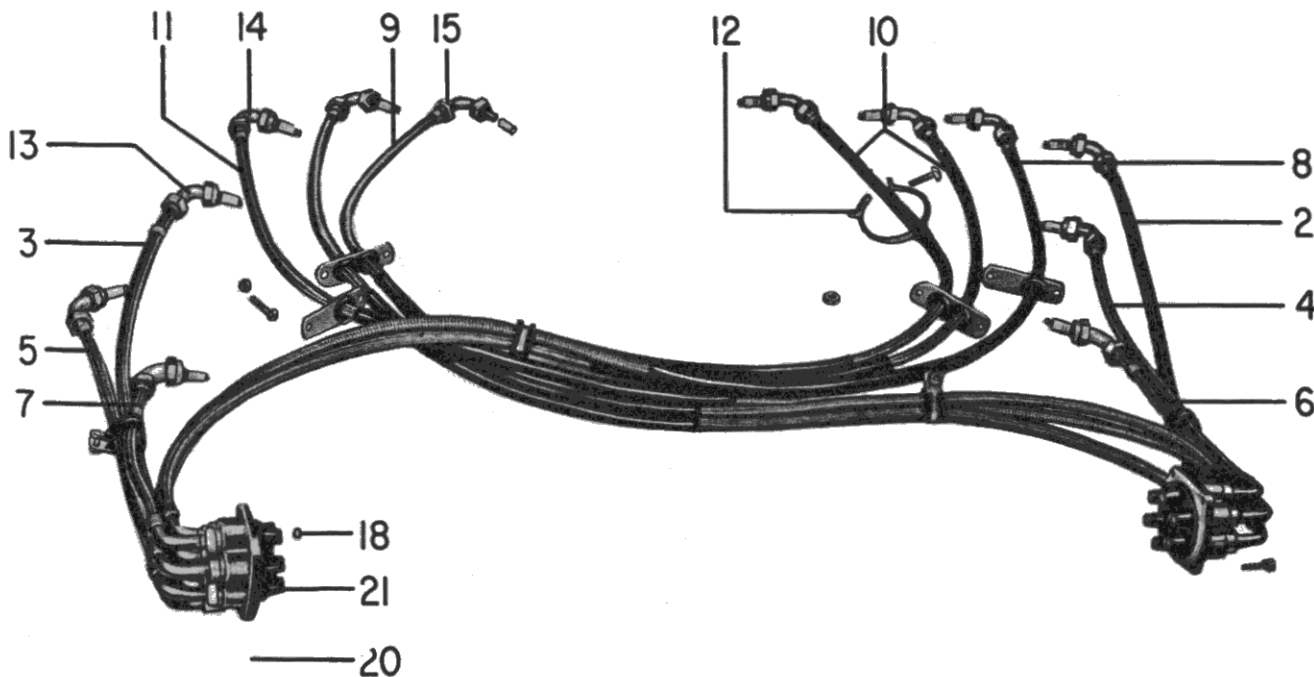


Figure 41 - Ignition Harness Assembly P/N 70425

AVCO LYCOMING AIRCRAFT ENGINE GROUP ASSEMBLY PARTS LIST

GO-480-B, -D AND -F6 SERIES
SECTION V (CONT.)
5-8 - IGNITION HARNESS ASSEMBLY P/N 73928

REF. NO.	PART NUMBER	1	2	3	4	5	DESCRIPTION	QTY. PER ENG.	MODEL USAGE
1	73928						SHIELDING ASSEMBLY, Radio ignition	1	B
2	58825						LEAD ASSEMBLY, No. 1, top	1	B
3	58822						LEAD ASSEMBLY, No. 2, top	1	B
4	58827						LEAD ASSEMBLY, No. 3, top	1	B
5	58823						LEAD ASSEMBLY, No. 4, top	1	B
6	58826						LEAD ASSEMBLY, No. 5, top	1	B
7	58824						LEAD ASSEMBLY, No. 6, top	1	B
8	58820						LEAD ASSEMBLY, No. 1, bottom	1	B
9	58828						LEAD ASSEMBLY, No. 2, bottom	1	B
10	58821						LEAD ASSEMBLY, Dual lead, No. 3 and No. 5 bottom	1	B
11	58828						LEAD ASSEMBLY, No. 4 bottom	1	B
12	58829						LEAD ASSEMBLY, No. 6 bottom	1	B
13	7726						ELBOW, 110°	9	B
14	7724						ELBOW, 70°	3	B
15	71875						WASHER	12	B
16	73245						EYELET	12	B
17	52426						PLATE, Magneto outlet	2	B
18	50302						GROMMET	2	B
19	7410						TERMINAL	12	B
20	54356						SPRING ASSEMBLY	12	B
21	5077						CAP, Protector	12	B
22	51581						GROMMET	12	B
23	54588						BRACKET	2	B
24	54586						BRACKET	2	B
25	5028						SPRING ASSEMBLY	12	B
26	7495						WASHER, Slotted, alternate part 52411	12	B
27	54219						CLAMP	4	B
28	5152						NUT	5	B
29	6813						BRACKET	1	B
30	6799						SCREW	5	B
31	6802						CLAMP	1	B
32	58816						CABLE, Conforms to MIL. Spec. 3162 type 1, grade A, class 2, 5MM	AR	B

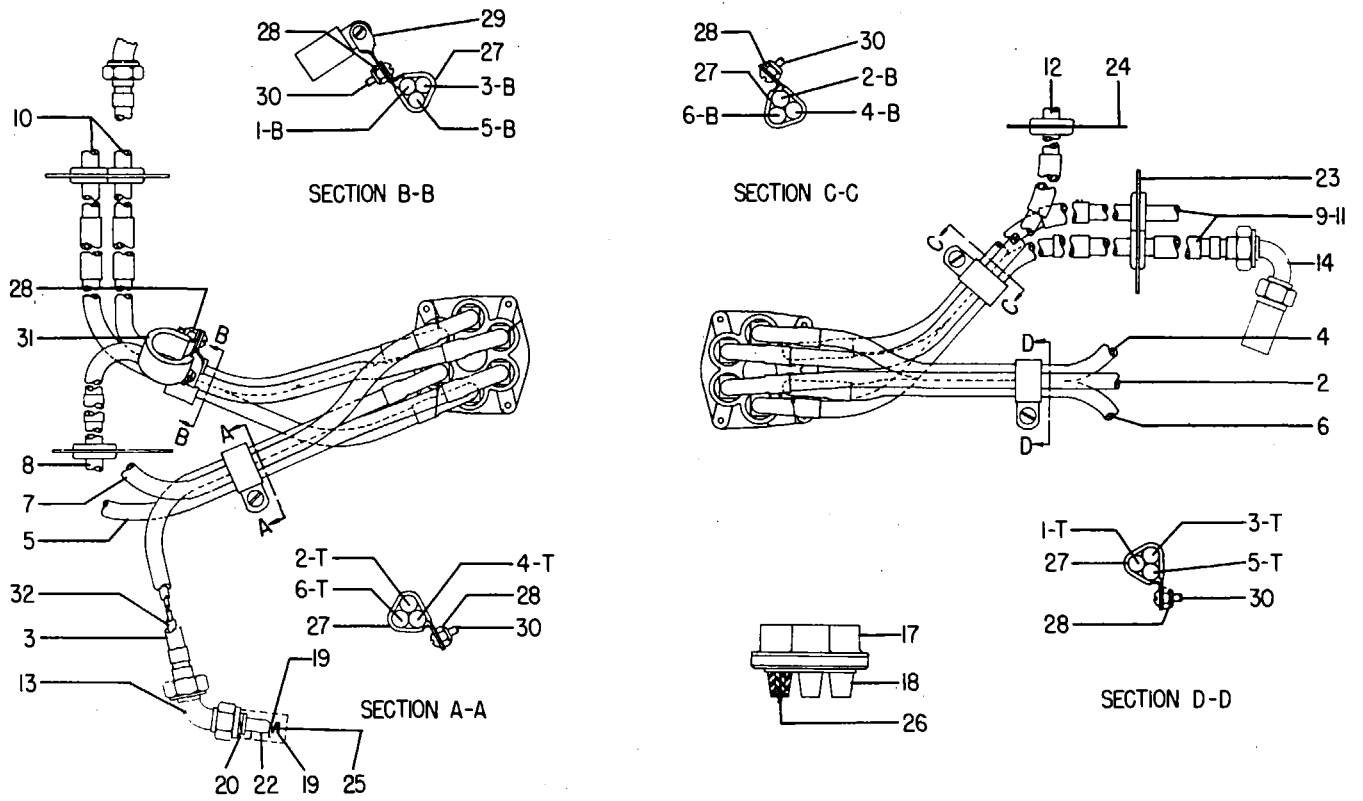


Figure 42 - Ignition Harness Assembly P/N 73928

AVCO LYCOMING AIRCRAFT ENGINE GROUP ASSEMBLY PARTS LIST

GO-480-B, -D AND -F6 SERIES
SECTION VI (CONT.)
5-9 - IGNITION HARNESS ASSEMBLY P/N 78545

REF. NO.	PART NUMBER						DESCRIPTION	QTY. PER ENG.	MODEL USAGE	
		1	2	3	4	5				
1	78545						CABLE ASSEMBLY, Ignition shielded	1	B	See note
2	71489						PLUG, Grommet	12	B	
3	76755						COLLAR (Silicone)	12	B	
4	76747						FERRULE, Not Ill.	12	B	
5	76757						NUT, 5/8-24	12	B	
6	76721						ELBOW, 70°	12	B	
7	76923 48S 70-63						LEAD ASSEMBLY, Top	6	B	
8	76923 72S 70-63						LEAD ASSEMBLY, Bottom	6	B	
9	76753						SLEEVING, Ring, plastic	6	B	
10	76844						PLATE, Spark plug cable (1-wire)	2	B	
11	76843						PLATE, Spark plug cable (2-wire), Not Ill.	2	B	
12	76726						INTERSLEEVE, Brass	12	B	
13	76728						SLEEVE	12	B	
14	76729						RING, Retaining	12	B	
15	76983						GROMMET, Magneto	2	B	
16	73245						EYELET	12	B	
17	75941						IDENTIFICATION TAPE, Ignition, Not Ill.	1	B	
18	76982						MAGNETO PLATE	2	B	

NOTE

This harness assembly is 5MM harness for lightweight magnetos.

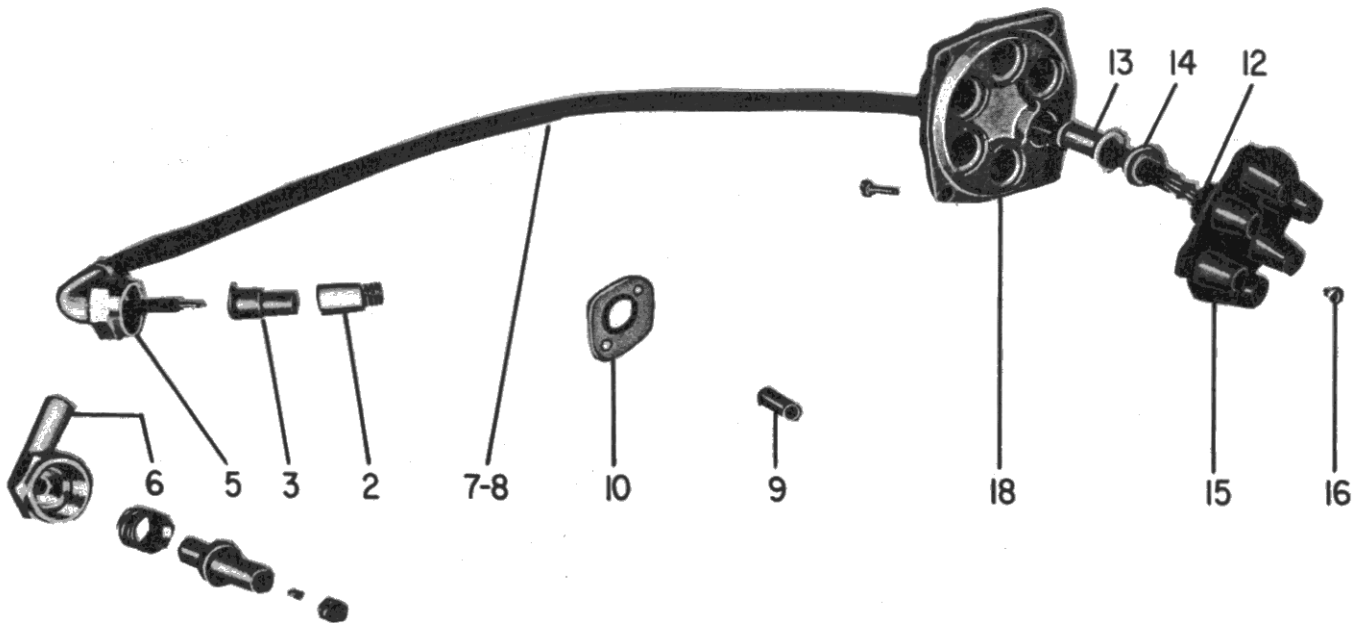


Figure 43 - Ignition Harness Assembly P/N 78545

AVCO LYCOMING AIRCRAFT ENGINE GROUP ASSEMBLY PARTS LIST

GO-480-B, -D AND -F6 SERIES
SECTION V (CONT.)
5-10 - SPARK PLUG ASSEMBLIES

REF. NO.	PART NUMBER	DESCRIPTION					QTY. PER ENG.	MODEL USAGE
		1	2	3	4	5		
1	1182-B3	SPARK PLUG, Champion, REM-40E					12	A, B, C
	1182-W3	SPARK PLUG, Champion, RHM-40E, all weather					12	A, B, C
	1182-P2	SPARK PLUG, AC, SR-83P, platinum point					12	C
	1182-K3	SPARK PLUG, AC, SR-87					12	A, B, C
	1182-T4	SPARK PLUG, Auto-lite, SH-20A					12	A, B, C
	1182-X3	SPARK PLUG, AC, HSR-87, all weather					12	A, B, C
	1182-B5	SPARK PLUG, Auto-lite, SH-200A, all weather					12	A, B, C
	1182-F5	SPARK PLUG, Auto-lite, PH-26, platinum point					12	C
	1182-N3	SPARK PLUG, Champion, REM-38P					12	C
	1182-U2	SPARK PLUG, AC, HSR-83P, all weather					12	A, B
	1182-Y4	SPARK PLUG, Auto-lite, PH-260, all weather					12	A, B
	1182-M3	SPARK PLUG, Champion, RHM-38P, all weather					12	A, B
	2	STD-295	GASKET, Annular, 31/32 OD x 23/32 ID x 5/64 in.					12

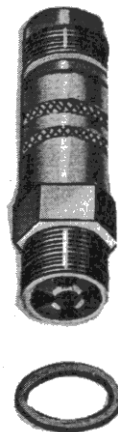


Figure 44 - Spark Plug Assembly

AVCO LYCOMING PARTS CATALOG
GO-480-B, -D AND -F6 SERIES

SECTION VI

OIL SUMP AND INDUCTION GROUP

AVCO LYCOMING PARTS CATALOG

GO-480-B, -D AND -F6 SERIES

SECTION VI

OIL SUMP AND INDUCTION SYSTEM

Page Numbers

Engine Model	Page Numbers									
	Oil Sump Ass'y. 6-2	Oil Suction and Oil Pressure Screen Ass'y. 6-3	Oil Scavenge Screen Crosswise Acc'y. Engines 6-4	Breather System and Attaching Parts 6-5	Oil By-Pass Plunger Ass'y. Rear Mounted Acc'y. Engines 6-6	Intake Pipes and Attaching Parts 6-7	Carburetor and Attaching Parts 6-8	Priming System 6-9		
GO-480-B	A	A		A	A	A	A	A		
GO-480-B1A6	A	A		A	A	A	A	A		
GO-480-B1B	A	A		A	A	A	A	A		
GO-480-B1C	A	A		A	A	A	A	A		
GO-480-B1D	A	A		A	A	A	A	A		
GO-480-D1A	B		B			B	B	B		
GO-480-F6	C	C		C	C	C	C	C		
GO-480-F1A6	C	C		C	C	C	C	C		
GO-480-F2A6	C	C		C	C	C	C	C		
GO-480-F4A6	C	C		C	C	C	C	C		

AVCO LYCOMING AIRCRAFT ENGINE GROUP ASSEMBLY PARTS LIST

GO-480-B, -D AND -F6 SERIES
SECTION VI
6-2 - OIL SUMP ASSEMBLY

REF. NO.	PART NUMBER	DESCRIPTION					QTY. PER ENG.	MODEL USAGE
		1	2	3	4	5		
1	65099	GASKET, Oil sump					2	A, C
	68172	GASKET, Oil sump					1	B*
2	70349	SPACER, Oil sump					1	A, C
3	69240	SUMP ASSEMBLY, Oil					1	A
	69614	SUMP ASSEMBLY, Oil					1	B*
	69339	SUMP ASSEMBLY, Oil					1	C
4	31-15	STUD, 5/16-18 x 1-7/8 in. long					4	A, C
	31-19	STUD, 5/16-18 x 2-3/8 in. long					4	B*
5	STD-1173	INSERT, Heli-coil, 1/4-20 x 1/2 in. long					3	B*
6	31-12	STUD, 5/16-18 x 1-1/2 in. long					2	A, C
7	31-10	STUD, 5/16-18 x 1-1/4 in. long					2	A, C
8	25-12	STUD, 1/4-20 x 1-1/2 in. long					12	A, C
9	25-11	STUD, 1/4-20 x 1-3/8 in. long					4	A, C
10	STD-111	GASKET, 1.00 ID x 1.25 OD x 3/32 annular					1	B*
11	69335	PLUG, 5/8 in. hex. hd., x 1.00-20 Thd., Not Ill.					1	B*
12	69602	CONNECTION, Intake pipe					6	B*
13	STD-405	PLUG, Square hd., drilled, 1/8 in. pipe					1	B*
14	10-6	STUD, #10-24 x 3/4 in. long					4	A, C
15	STD-355	PLUG, Allen, 3/4 in. pipe					1	A, C
16	STD-783	PLUG, Allen, 1/4 in. pipe					1	A, C
17	STD-91	PLUG, Allen, 1/2 in. pipe					1	A, C
18	STD-1659	ELBOW, 3/8 NPT and 1/2 in. ID hose x 90°					1	A, C
19	STD-405	PLUG, Square head drilled, 1/8 in. pipe					1	A, C
20	STD-1693	BUSHING, Screw, 5/8-18 x 7/16-20					1	C
21	STD-19	DOWEL, 3/32 dia. x 7/32 in. long					1	C
22	STD-294	GASKET, 7/8 OD x 5/8 ID x 3/32 annular					3	A
23	STD-784	PLUG, Allen, 3/8-18 NPT, Not Ill.					1	A, C
24	66965	ADAPTER, Oil temperature bulb					1	A

* - See Fig. 45 for "B" call-outs, Page 6-2.

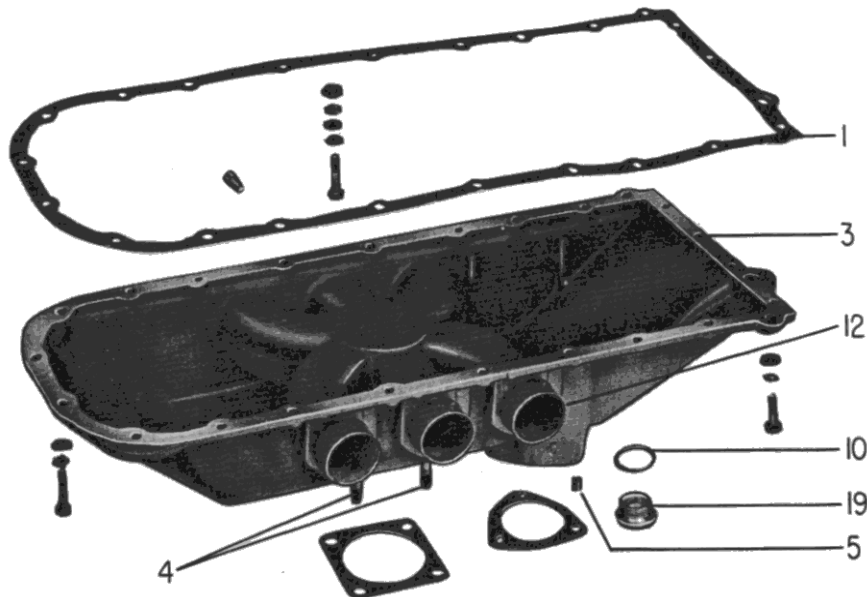


Figure 45 - Oil Sump Assembly
(-D1A)

AVCO LYCOMING AIRCRAFT ENGINE GROUP ASSEMBLY PARTS LIST

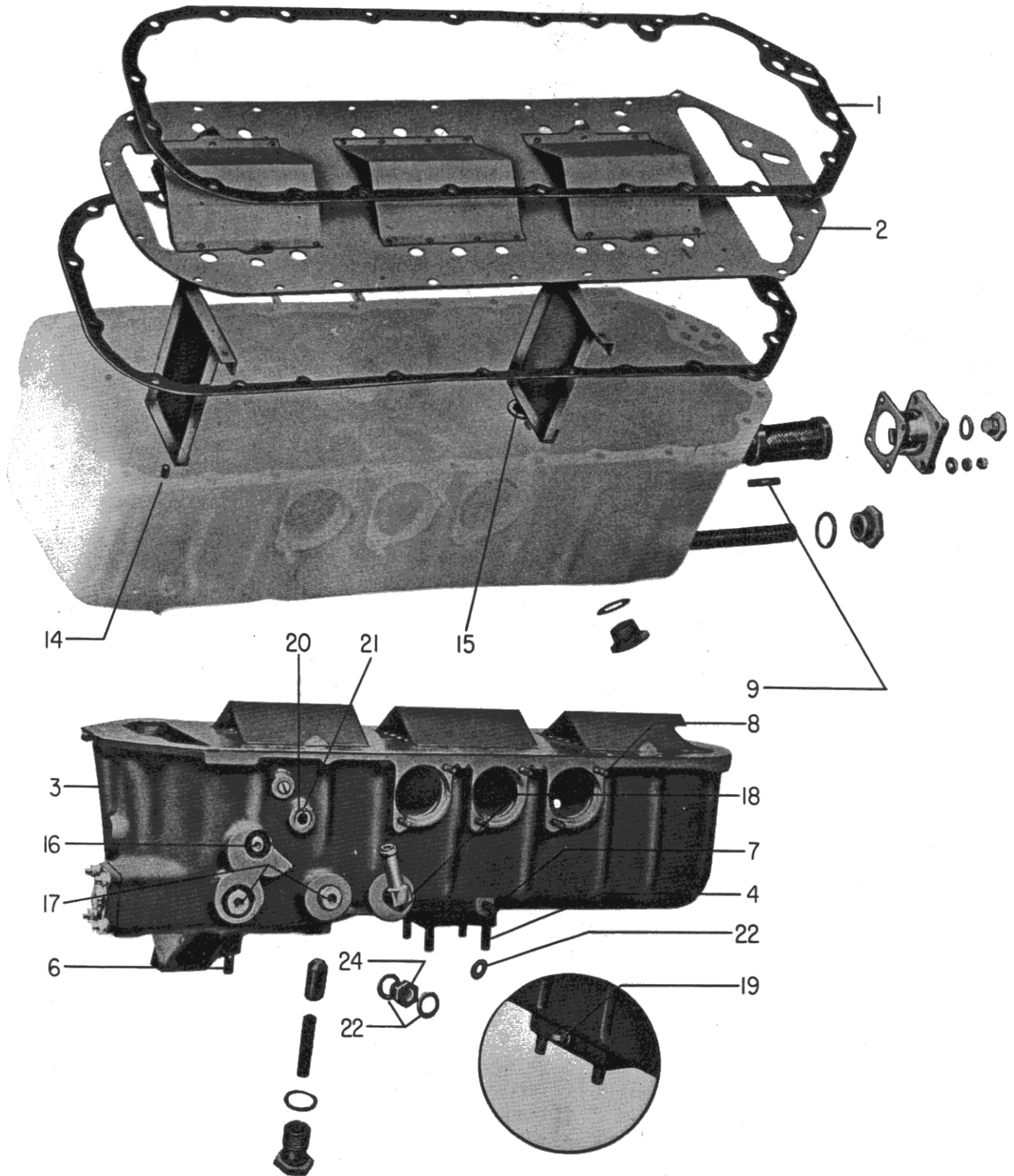


Figure 46 - Oil Sump Assembly
(-B and -F6 Series)

AVCO LYCOMING AIRCRAFT ENGINE GROUP ASSEMBLY PARTS LIST

GO-480-B, -D AND -F6 SERIES
SECTION VI (CONT.)

6-3 - OIL SUCTION AND OIL PRESSURE SCREEN ASSEMBLIES

REF. NO.	PART NUMBER	DESCRIPTION	QTY. PER ENG.					MODEL USAGE	
			1	2	3	4	5		
1	65399	SCREEN ASSEMBLY, Oil suction						1	A, C
2	69335	PLUG, 5/8 hex. hd., x 1.00-20 Thd.						1	A, C
3	STD-111	GASKET, 1.00 ID x 1-1/4 OD x 3/32 annular						2	A, C
4	69335	PLUG, 5/8 hex. hd., x 1.00-20 Thd.						1	A, C
5	60407	SCREEN ASSEMBLY, Oil pressure						1	A, C
6	60130	GASKET, Oil screen cover						1	A, C
7	60404	COVER, Oil screen						1	A, C
8	STD-8	WASHER, Plain, 1/4 in.						4	A, C
9	STD-160	WASHER, Internal lock, 1/4 in.						4	A, C
10	STD-9	NUT, Plain, 1/4-28						4	A, C

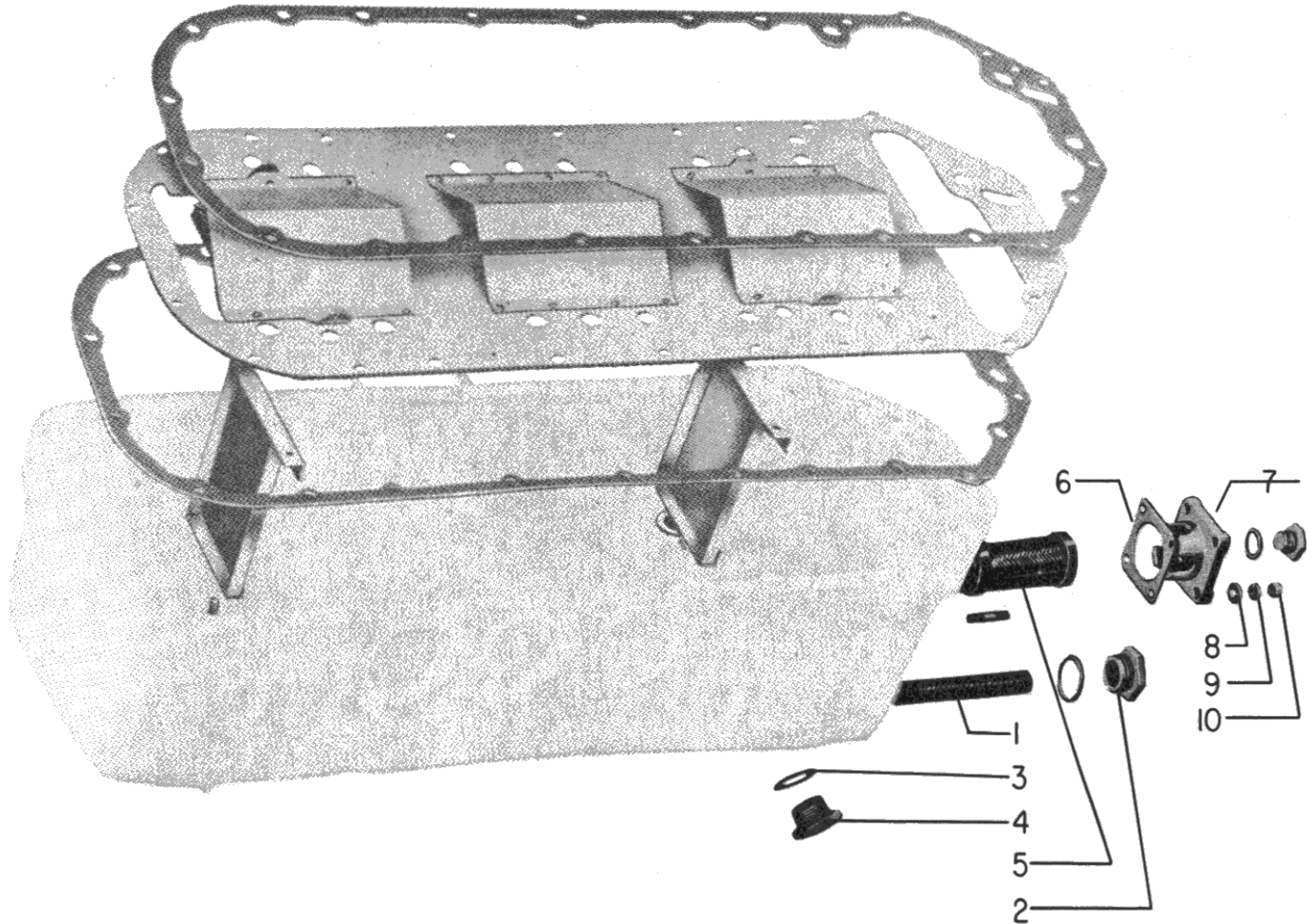


Figure 47 - Oil Suction and Oil Pressure Screen Assemblies

AVCO LYCOMING AIRCRAFT ENGINE GROUP ASSEMBLY PARTS LIST

GO-480-B, -D AND -F6 SERIES

SECTION VI (CONT.)

6-4 - OIL SCAVENGE SCREEN (CROSSWISE ACCESSORY MODELS)

REF. NO.	PART NUMBER	DESCRIPTION					QTY. PER ENG.	MODEL USAGE
		1	2	3	4	5		
1	68192	GASKET, Oil scavenge screen retainer					1	B
2	68198	SCREEN ASSEMBLY, Oil scavenge pump					1	B
3	STD-918	SCREW, Drilled head, 1/4-20 x 3/4 in. long					3	B

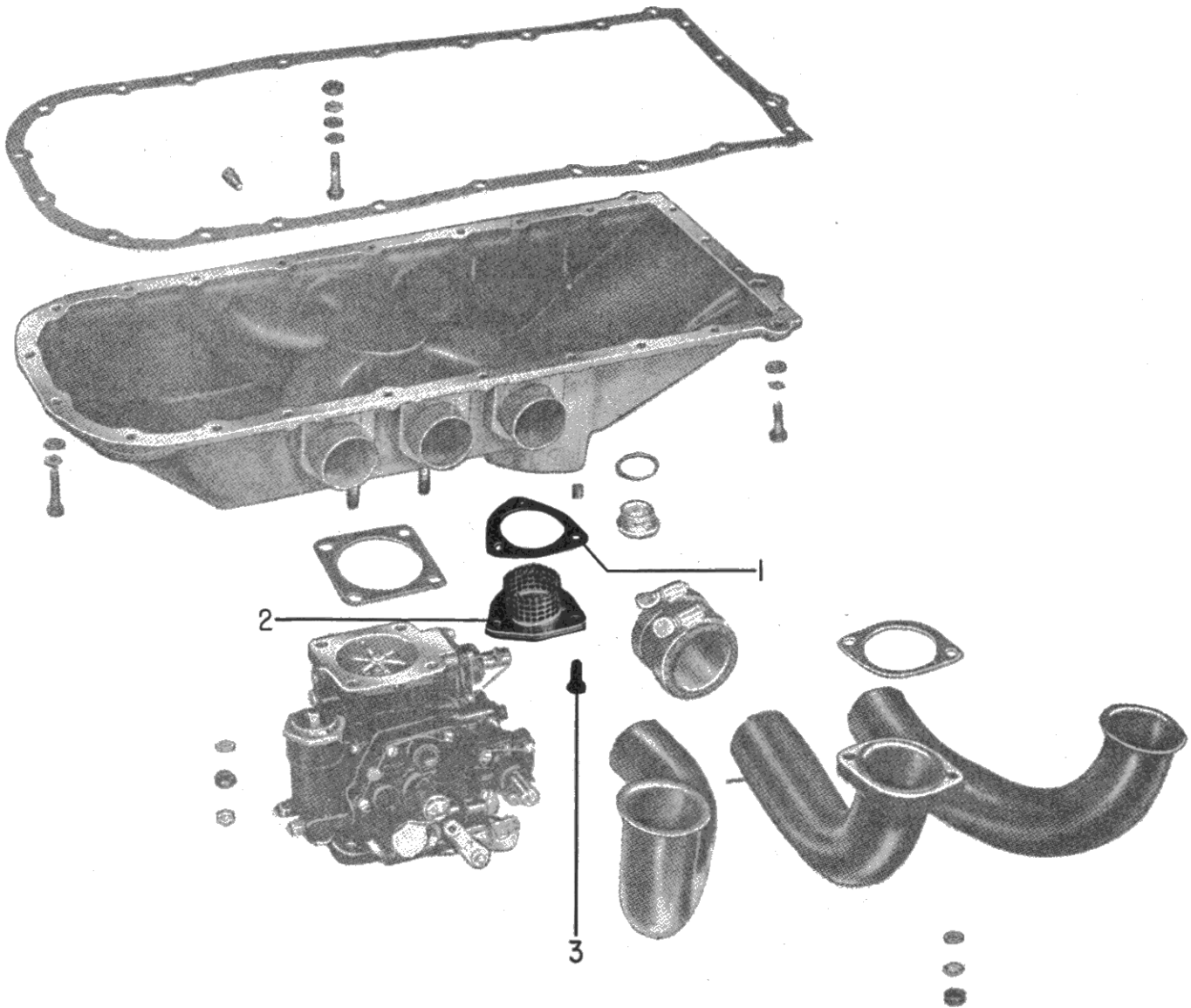


Figure 48 - Oil Scavenge Screen Assembly

AVCO LYCOMING AIRCRAFT ENGINE GROUP ASSEMBLY PARTS LIST

GO-480-B, -D AND -F6 SERIES
SECTION VI (CONT.)

6-5 - BREATHER SYSTEM AND ATTACHING PARTS (CROSSWISE ACCESSORIES)

REF. NO.	PART NUMBER	DESCRIPTION					QTY. PER ENG.	MODEL USAGE
		1	2	3	4	5		
1	66926	HOUSING, Breather					1	A, C
2	70338	SPACER, Breather housing					2	A, C
3	STD-8	WASHER, Plain, 1/4 in.					2	A, C
4	STD-160	WASHER, Internal lock, 1/4 in.					2	A, C
5	STD-9	NUT, Plain, 1/4-28					2	A, C
6	66928	GASKET, Breather cover					2	A, C
7	70398	SCREEN, Breather housing					1	A, C
8	66927	COVER, Breather housing					1	A, C
9	STD-28	WASHER, Plain, #10					4	A, C
10	STD-1566	SCREW, Fill. hd., #10-24 x 3/4 in. long					4	A, C
11	STD-1305	RING, Oil seal, 1.00 ID x 1/8 section					1	A, C
12	69351	PIPE, Breather					1	A
13	STD-841	HOSE, 1.00 ID x 2-3/8 in. long					1	A
14	STD-1507	CLAMP, 1-3/8 ID x 9/16 in. wide					2	A, C
15	STD-1660	NIPPLE, 1/2 in. flared tube to 3/8 NPT.					1	A, C
16	66937	TUBE ASSEMBLY, Breather drain					1	A, C
17	STD-1663	HOSE, 1/2 in. ID x 2-1/4 in. long					1	A, C
18	STD-1914	CLAMP, Hose, 5/8 to 7/8 ID x 5/8 in. wide					2	A, C
19	69505	PIPE, Breather conn. acc'y., housing					1	C
20	1112-BC	SLEEVE, Shroud tube					1	C
21	MS-35489-14	GROMMET, 1/2 ID x 57/64 dia. groove, Fig. 35, Page 4-10					1	C

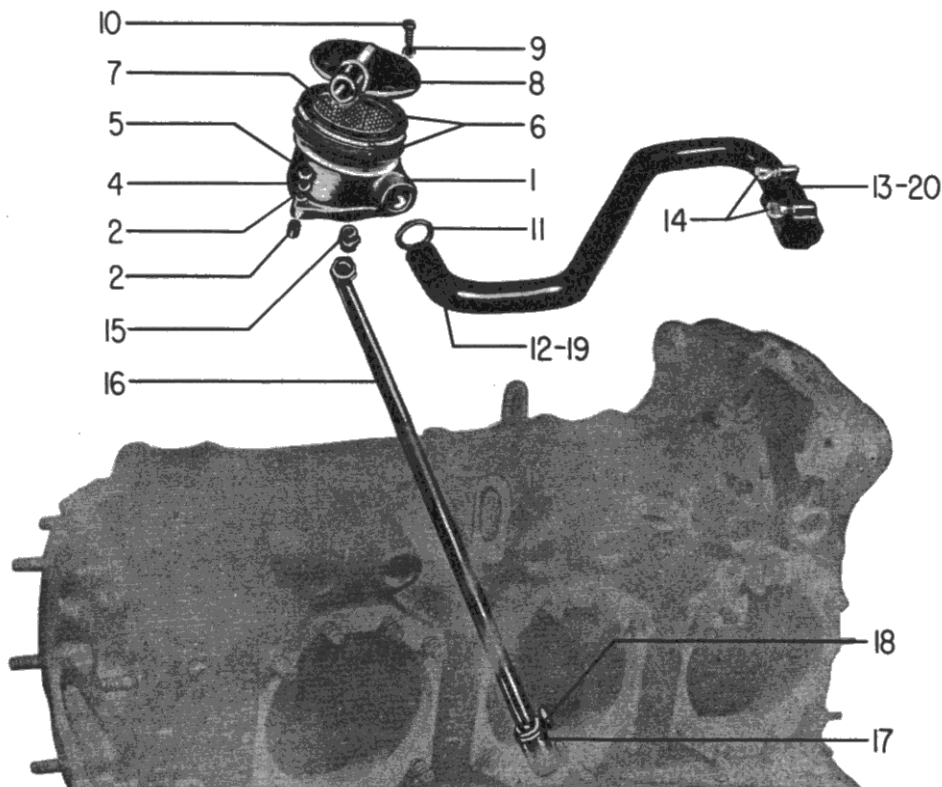


Figure 49 - Breather System and Attaching Parts

AVCO LYCOMING AIRCRAFT ENGINE GROUP ASSEMBLY PARTS LIST

GO-480-B, -D AND -F6 SERIES
SECTION VI (CONT.)

6-5A - BREATHER SYSTEM AND ATTACHING PARTS (CROSSWISE ACCESSORIES)

REF. NO.	PART NUMBER						DESCRIPTION	QTY. PER ENG.	MODEL USAGE
		1	2	3	4	5			
1	67746						GASKET, Accessory housing breather	2	B
2	72031						TUBE AND PLATE ASSEMBLY, Accessory housing breather	1	B
3	69907						BREATHER, Accessory	1	B
4	STD-8						WASHER, Plain, 1/4 in.	3	B
5	STD-160						WASHER, Internal lock, 1/4 in.	3	B
6	STD-1419						BOLT, Hex. hd., 1/4-20 x 1-1/8 in. long	2	B
7	STD-1621						BOLT, Hex. hd., 1/4-20 x 2-1/4 in. long	1	B

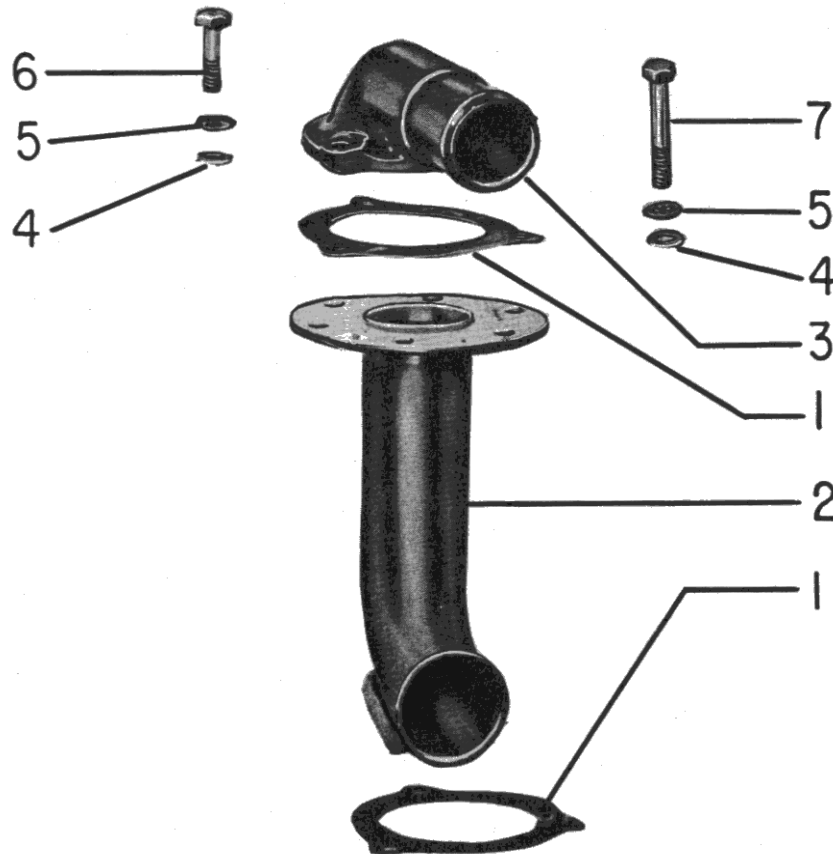


Figure 49A - Breather (Crosswise Accessory Housing)

AVCO LYCOMING AIRCRAFT ENGINE GROUP ASSEMBLY PARTS LIST

GO-480-B, -D AND -F6 SERIES

SECTION VI (CONT.)

6-6 - OIL BY-PASS PLUNGER (REAR MOUNTED ACCESSORY MODELS)

REF. NO.	PART NUMBER	1	2	3	4	5	DESCRIPTION	QTY. PER ENG.	MODEL USAGE
1	STD-589						GASKET, 1-1/8 OD x 29/32 ID x 1/16 annular	1	A, C
2	66960						PLUNGER, Oil by-pass	1	A, C
3	60476						SPRING, Oil pressure relief valve	1	A, C
4	65705						PLUG, Oil by-pass	1	A, C

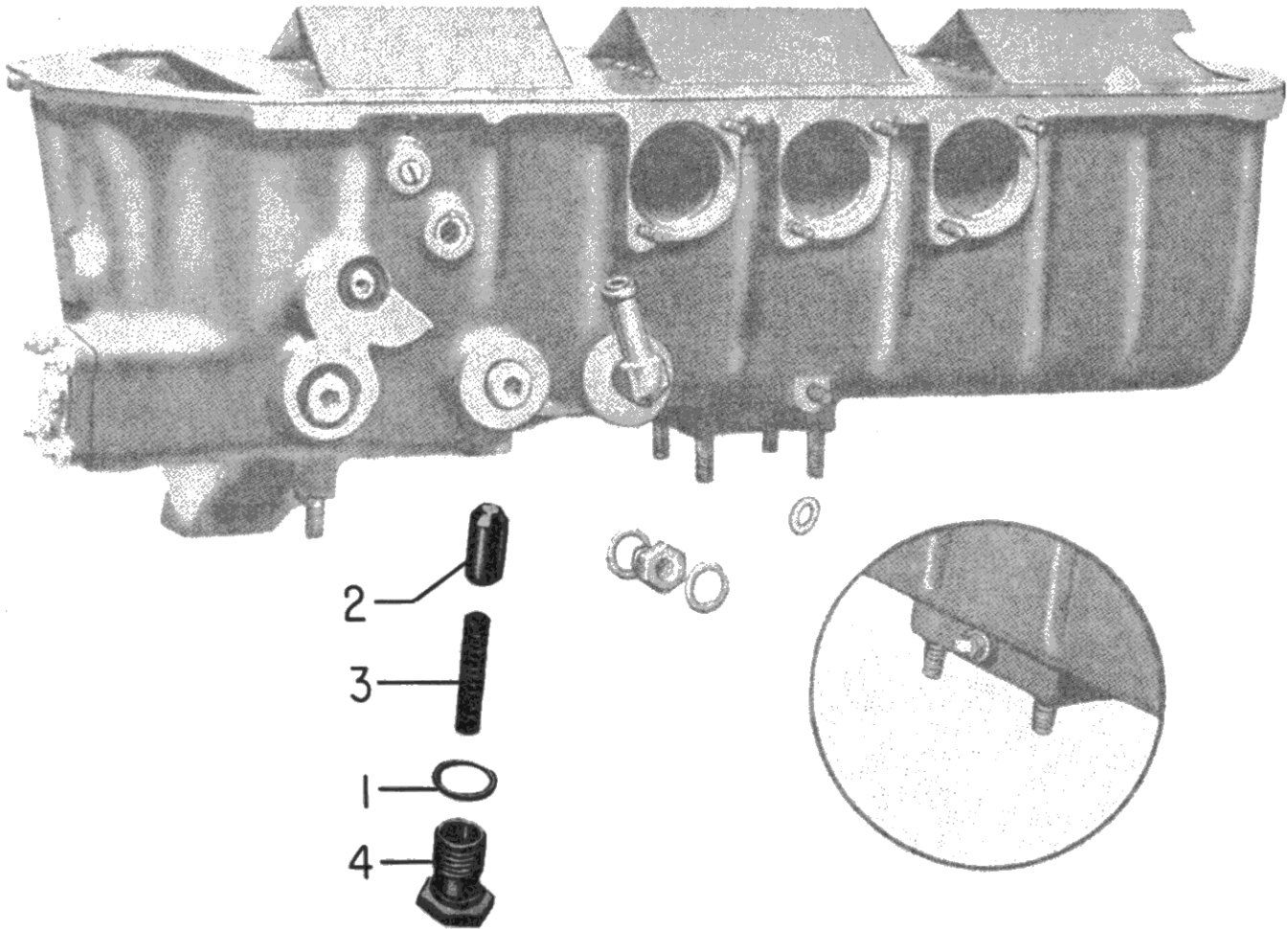


Figure 50 - Oil By-Pass Plunger Assembly

AVCO LYCOMING AIRCRAFT ENGINE GROUP ASSEMBLY PARTS LIST

GO-480-B, -D AND -F6 SERIES
SECTION VI (CONT.)
6-7 - INTAKE PIPES AND ATTACHING PARTS

REF. NO.	PART NUMBER	1	2	3	4	5	DESCRIPTION	QTY. PER ENG.	MODEL USAGE
1	66871						PIPE, Intake, No. 1 and No. 6 cylinder	2	A, C
	69600						PIPE, Intake, No. 1 and No. 6 cylinder	2	B*
2	66873						PIPE, Intake, No. 2 and No. 5 cylinder	2	A, C*
	69599						PIPE, Intake, No. 2 and No. 5 cylinder	2	B
3	66872						PIPE, Intake, No. 3 and No. 4 cylinder	2	A, C*
	69598						PIPE, Intake, No. 3 and No. 4 cylinder	2	B
4	71973						GASKET, 2 bolt flange, 1-7/8 ID	6	A, C*
	60131						GASKET, 2 bolt flange, 1-3/4 ID	6	B
5	73346						FLANGE, Intake pipe, upper	6	A, B, C*
6	STD-585						RING, 1/8 dia. section x 1-3/4 ID	6	A, C
7	60133						FLANGE, Intake pipe, lower	6	A, C
8	69603						HOSE, 1-3/4 ID x 2-3/16 OD x 1-3/4 in. long	6	B*
9	STD-1269						CLAMP, Hose, 1-7/8 to 2-1/4 ID x 9/16 in. wide	12	B*
10	STD-8						WASHER, Plain, 1/4 in.	24	A, C
	STD-8						WASHER, Plain, 1/4 in.	12	B*
11	STD-160						WASHER, Internal lock 1/4 in.	24	A, C
	STD-160						WASHER, Internal lock, 1/4 in.	12	B*
12	STD-9						NUT, Plain, 1/4-28	12	A
	STD-9						NUT, Plain, 1/4-28	24	C
13	STD-1215						BOLT, Hex. hd., 1/4-20 x 1-1/4 in. long, Not Ill.	12	A, B*

* - See Fig. 52 for "B" call-outs.

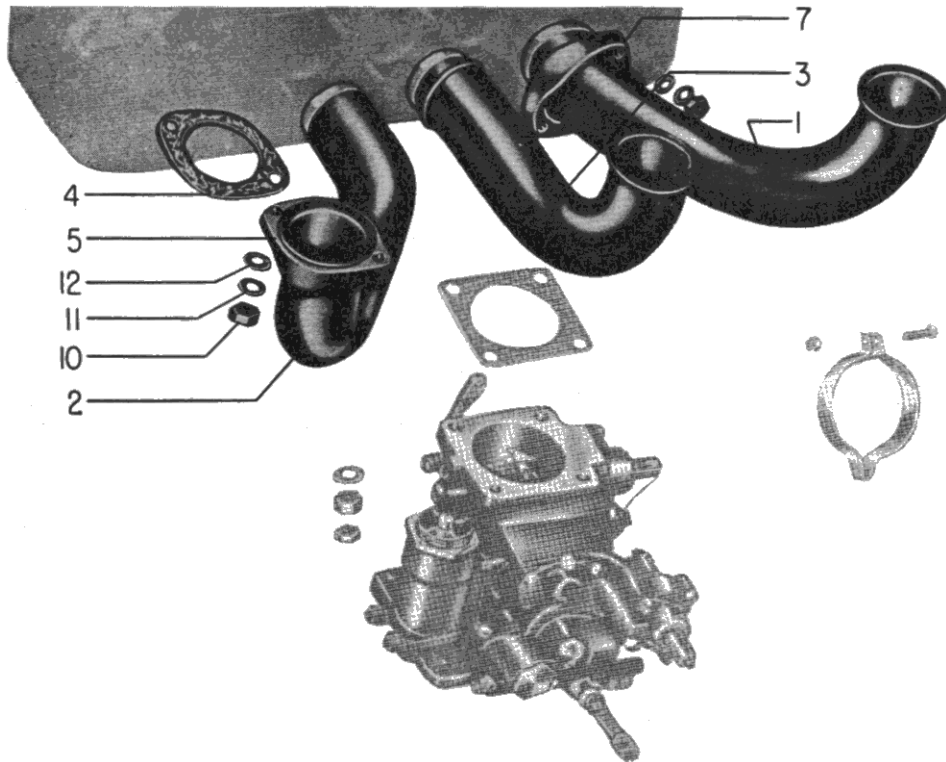


Figure 51 - Intake Pipes and Attaching Parts
(-B and -F6 Series)

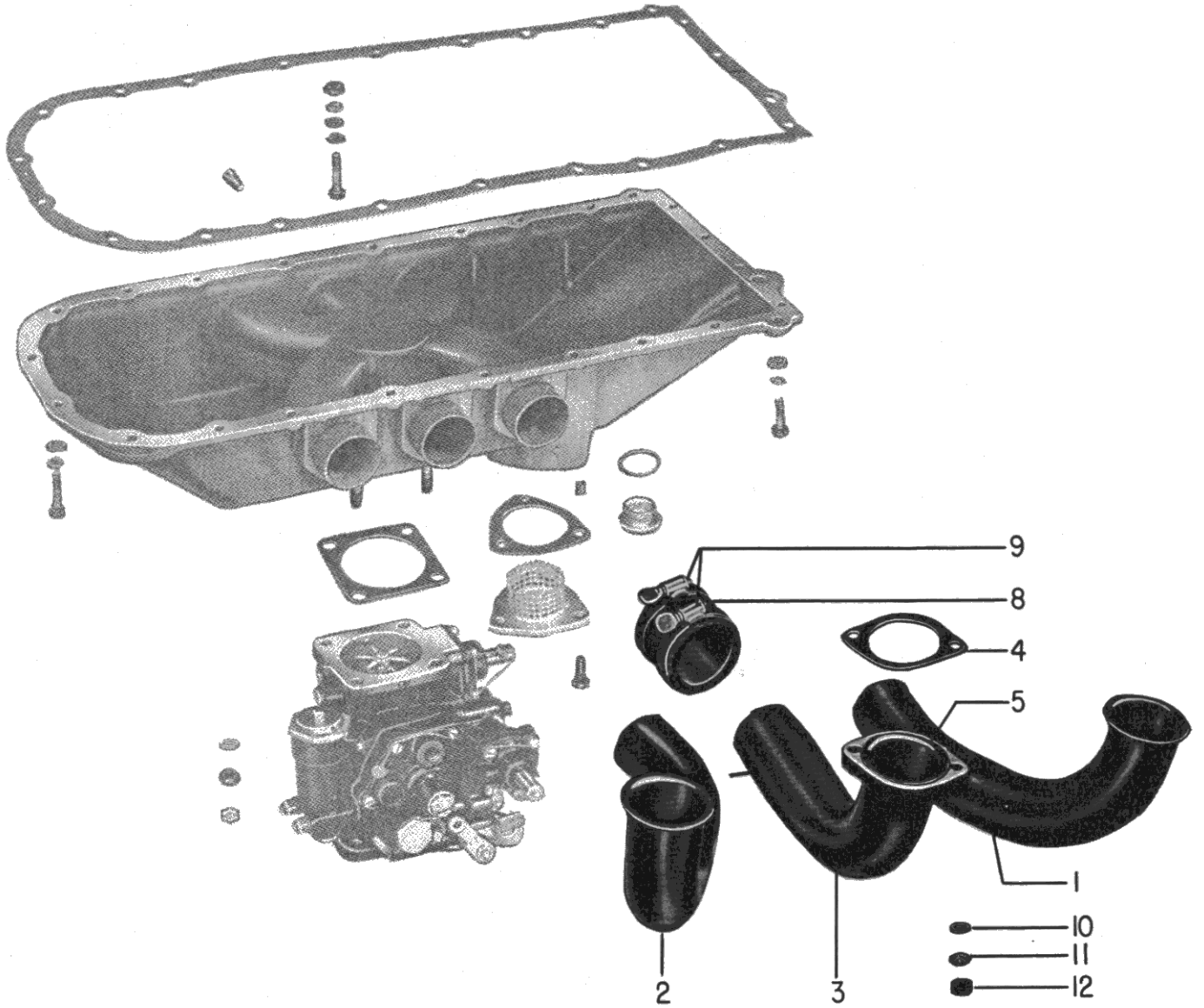


Figure 52 - Intake Pipes and Attaching Parts (-D1A)

AVCO LYCOMING AIRCRAFT ENGINE GROUP ASSEMBLY PARTS LIST

GO-480-B, -D AND -F6 SERIES
SECTION VI (CONT.)
6-8 - CARBURETOR AND ATTACHING PARTS

REF. NO.	PART NUMBER	DESCRIPTION					QTY. PER ENG.	MODEL USAGE
		1	2	3	4	5		
1	66224	GASKET, Carburetor					1	A, B, C*
2	69294	CARBURETOR, Same as Bendix model, PS-5BD their P/N 391569-10					1	A
	69926	CARBURETOR, Same as Bendix model, PS-5BD their P/N 391621-9					1	B*
	69908	CARBURETOR, Same as Bendix model, PS-5BD their P/N 391561-14					1	C
3	STD-35	WASHER, Plain, 5/16 in.					4	A, B, C*
4	STD-37	NUT, Plain, 5/16-24					4	A, B, C*
5	STD-36	LOCKNUT, 5/16 in. (Palnut)					4	A, B, C*

* - See Fig. 54 for "B" call-outs.

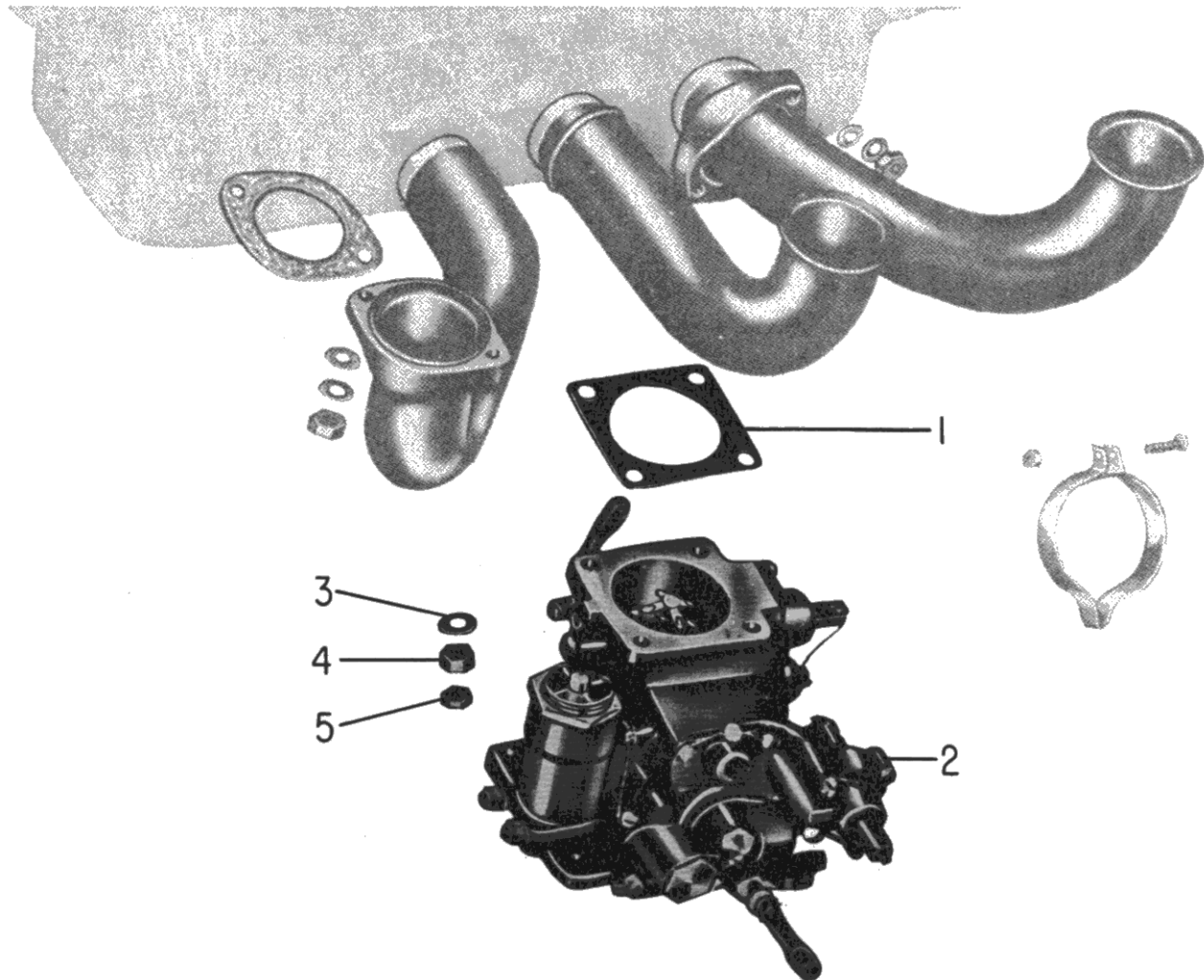


Figure 53 - Carburetor Assembly
(-B and -F6 Series)

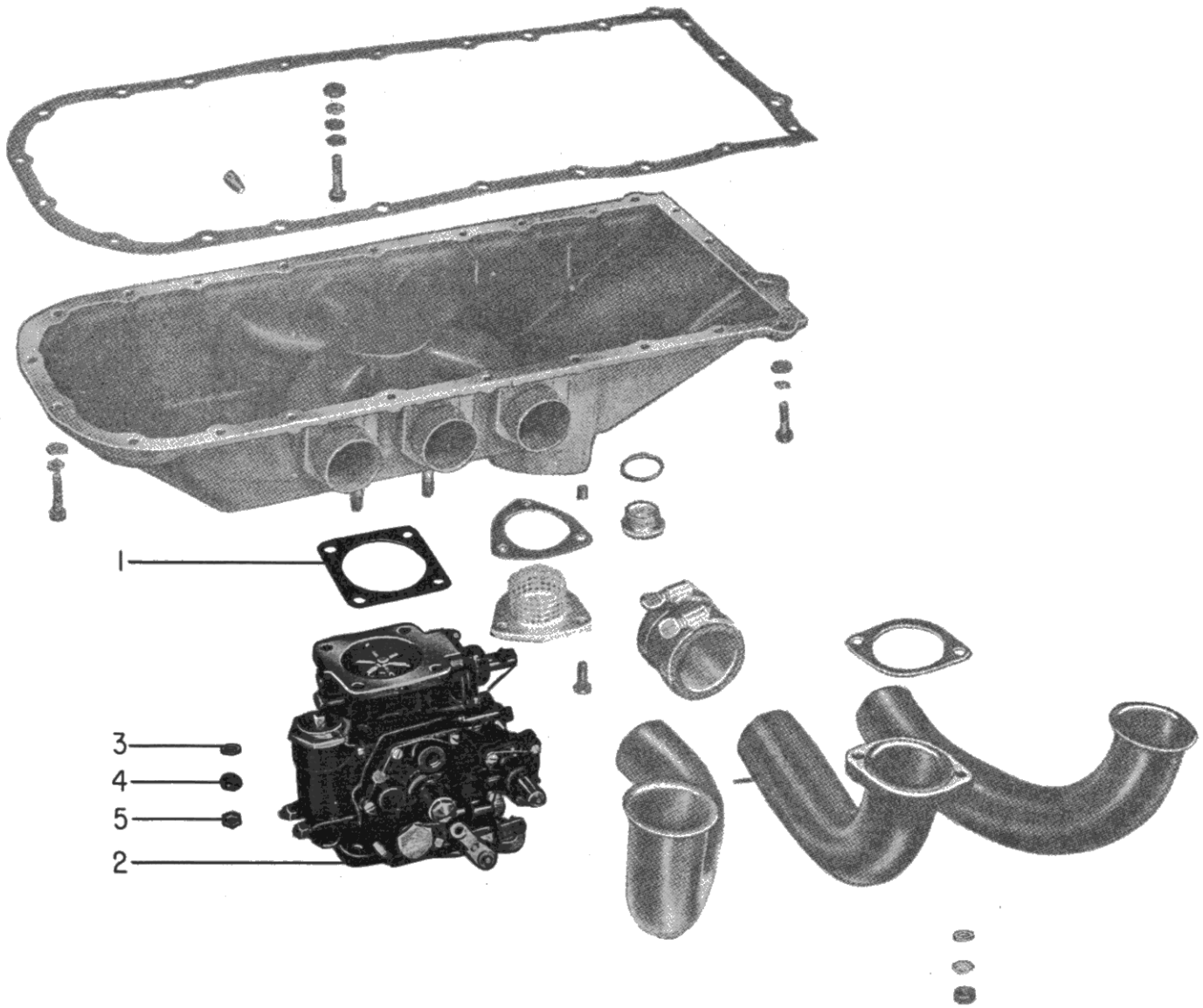


Figure 54 - Carburetor Assembly (-D1A)

AVCO LYCOMING AIRCRAFT ENGINE GROUP ASSEMBLY PARTS LIST

GO-480-B, -D AND -F6 SERIES
SECTION VI (CONT.)
6-9 - PRIMING SYSTEM

REF. NO.	PART NUMBER	DESCRIPTION					QTY. PER ENG.	MODEL USAGE
		1	2	3	4	5		
1	61581-1	TUBE ASSEMBLY, Primer (15.31 in. long, Cyl. 3)					1	A
2	61581-9	TUBE ASSEMBLY, Primer (16.69 in. long, Cyl. 1 and 2)					2	B, C
3	61581-4	TUBE ASSEMBLY, Primer (16.31 in. long, Cyl. 6)					1	A
4	61581-5	TUBE ASSEMBLY, Primer (14.56 in. long, Cyl. 3 and 4)					2	B, C
5	61581-7	TUBE ASSEMBLY, Primer (18.31 in. long, Cyl. 4)					1	A
6	61581-5	TUBE ASSEMBLY, Primer (14.56 in. long, Cyl. 5)					1	A
7	61581-10	TUBE ASSEMBLY, Primer (5.00 in. long, extension)					2	B, C
8	61581-1	TUBE ASSEMBLY, Primer (15.31 in. long, Cyl. 5)					1	B, C
9	61581-2	TUBE ASSEMBLY, Primer (11.69 in. long, inter.)					2	A
10	61581-4	TUBE ASSEMBLY, Primer (16.31 in. long, Cyl. 6)					1	B, C
11	61581-2	TUBE ASSEMBLY, Primer (11.69 in. long, inter. left side)					1	B, C
12	61581-3	TUBE ASSEMBLY, Primer (10.31 in. long, inter. right side)					1	B, C
13	71910	CLAMP, Primer line					4	A
	71910	CLAMP, Primer line					6	B, C
14	62254	CLIP, 3/16 in. ID for 1/4 in. dia. screw					4	A
	62254	CLIP, 3/16 in. ID for 1/4 in. dia. screw					6	B, C
15	AN365-632C	NUT, Self-locking, #6-32					4	A
	AN365-632C	NUT, Self-locking, #6-32					6	B, C
16	STD-553	SCREW, Round head, #6-32 x 1/2 in. long					4	A
	STD-553	SCREW, Round head, #6-32 x 1/2 in. long					6	B, C
17	STD-853	TEE, Union, 1/8 in. tube					3	A
	STD-853	TEE, Union, 1/8 in. tube					5	B, C
18	74225	NIPPLE ASSEMBLY, Primer					4	A
	74225	NIPPLE ASSEMBLY, Primer					6	B, C

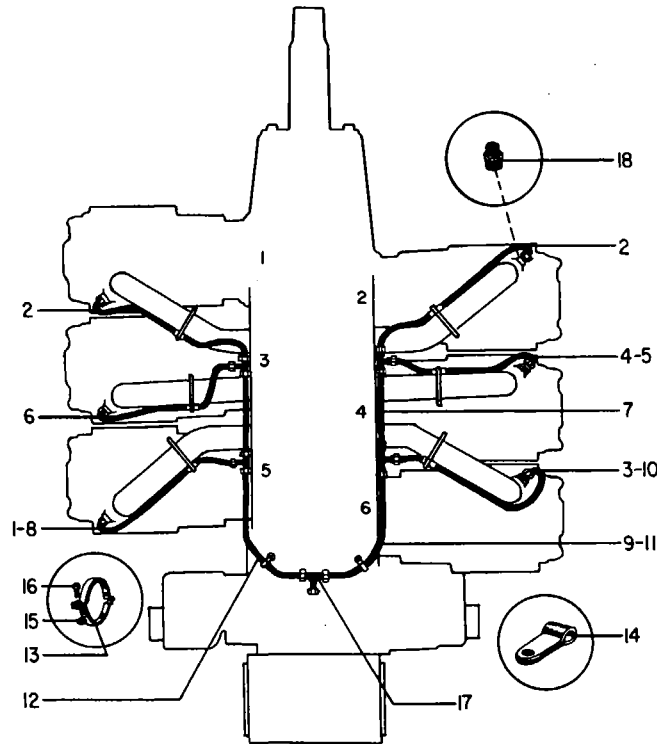


Figure 55 - Priming System (-B Series) - Priming System (-D1A, -F6 Series)

AVCO LYCOMING AIRCRAFT ENGINE GROUP ASSEMBLY PARTS LIST

NUMERICAL INDEX

PART NO.	PART NAME	PAGE NO.	REF. NO.	QTY.	PART NO.	PART NAME	PAGE NO.	REF. NO.	QTY.
AN4-11A	Bolt	3-3	4	2	25-27	Stud	3-4	14	1
AN4-12A	Bolt	1-8	12	5	25-29	Stud	3-10	14	1
AN4-15A	Bolt	1-8	11	2	25-34	Stud	3-4	15	2
AN4-16	Bolt	1-8	12	6	25-37	Stud	3-4	18	1
AN4-17A	Bolt	3-12	5	1	25-40	Stud	3-4	13	1
AN6-16	Bolt	1-8	2	1	31-10	Stud	5-2	7	2
AN6-21A	Bolt	1-8	4	4	31-12	Stud	4-4	8	12
AN6-24	Bolt	1-8	3	2	31-12	Stud	5-2	6	2
AN6-27A	Bolt	1-3	15	2	31-13	Stud	1-2	6	6
AN381-2-10	Pin	3-6	11	1	31-13	Stud	3-2	8	10
AN381-4-20	Pin	3-9	10	1	31-13	Stud	3-2	8	14
AN501A416-12	Screw	3-11	9	4	31-14	Stud	3-4	20	6
AN823-6D	Elbow	4-4	10	6	31-14	Stud	3-10	10	1
AN900-28	Gasket	3-9	21	1	31-15	Stud	2-8	17	4
AN4047-1	Gasket	3-12	1	2	31-15	Stud	5-2	4	4
AN102010	Bolt	3-6	17	4	31D-16	Stud	3-2	6	3
AN115907	Screw	3-6	25	6	31D-16	Stud	3-2	6	2
MS-13997-3	Key	4-5	9	12	31-18	Stud	2-8	17	4
MS-13998-3	Cap	4-5	11	6	31-19	Stud	5-2	4	4
MS-35489-14	Grommet	5-5	21	1	31D-19	Stud	3-2	7	1
MS-122200	Insert	3-8	14	4	31-21	Stud	3-4	22	1
10-6	Stud	5-2	14	4	31-26	Stud	3-4	21	1
25-8	Stud	4-4	9	24	38-14	Stud	3-2	4	6
25-10	Stud	1-2	13	1	38-14	Stud	3-2	4	4
25-10	Stud	2-2	17	6	38-16	Stud	1-2	10	8
25-10	Stud	2-3	15	6	38-16	Stud	3-4	23	6
25-11	Stud	1-2	8	2	38-17	Stud	2-2	14	6
25-11	Stud	3-2	9	2	38-17	Stud	2-3	14	6
25-11	Stud	3-3	6	4	38-21	Stud	1-3	5	2
25-11	Stud	5-2	9	4	38-22	Stud	1-3	12	2
25D-11	Stud	3-4	10	8	38-23	Stud	1-3	6	2
25-12	Stud	3-2	11	4	38-28	Stud	3-2	5	2
25-12	Stud	3-2	11	7	38-31	Stud	3-10	11	6
25-12	Stud	3-3	28	3	38D-19	Stud	1-2	9	1
25-12	Stud	3-4	11	13	50-14	Stud	1-2	4	12
25-12	Stud	3-10	7	5	STD-2	Nut	3-5	10	3
25-12	Stud	4-4	9	12	STD-2	Nut	3-6	10	1
25-12	Stud	5-2	8	12	STD-8	Washer	1-8	14	26
25-13	Stud	3-2	10	2	STD-8	Washer	2-8	25	6
25-13	Stud	3-3	18	2	STD-8	Washer	3-3	2	6
25-13	Stud	3-4	12	15	STD-8	Washer	3-3	19	4
25-16	Stud	1-2	12	3	STD-8	Washer	3-3	24	3
25-16	Stud	3-4	16	4	STD-8	Washer	3-7	5	6
25D-16	Stud	3-10	8	6	STD-8	Washer	3-9	12	6
25-18	Stud	1-2	7	2	STD-8	Washer	3-11	4	8
25-23	Stud	3-4	17	1	STD-8	Washer	3-11	14	11
25D-23	Stud	3-8	10	4	STD-8	Washer	3-12	14	4
25D-24	Stud	3-4	19	1	STD-8	Washer	3-12	16	8
25D-24	Stud	3-8	12	1	STD-8	Washer	3-13	1	16
25D-26	Stud	3-8	13	1	STD-8	Washer	3-13	1	13

AVCO LYCOMING AIRCRAFT ENGINE GROUP ASSEMBLY PARTS LIST

NUMERICAL INDEX

PART NO.	PART NAME	PAGE NO.	REF. NO.	QTY.	PART NO.	PART NAME	PAGE NO.	REF. NO.	QTY.
STD-8	Washer	5-3	8	4	STD-43	Nut	3-6	18	4
STD-8	Washer	5-5	3	2	STD-43	Nut	3-9	14	6
STD-8	Washer	5-7	10	24	STD-60	Pin	3-9	17	1
STD-8	Washer	5-7	10	12	STD-61	Nut	3-9	16	1
STD-9	Nut	1-8	16	7	STD-68	Pin	2-4	8	4
STD-9	Nut	2-8	27	6	STD-68	Pin	3-5	23	1
STD-9	Nut	3-3	5	4	STD-68	Pin	3-13	8	2
STD-9	Nut	3-3	21	4	STD-71	Plug	3-4	28	2
STD-9	Nut	3-3	26	3	STD-71	Plug	3-9	13	1
STD-9	Nut	3-11	16	11	STD-91	Plug	5-2	17	1
STD-9	Nut	3-12	16	4	STD-95	Key	2-6	4	1
STD-9	Nut	3-12	16	8	STD-95	Key	2-7	10	1
STD-9	Nut	3-13	4	10	STD-97	Nut	1-8	17	6
STD-9	Nut	3-13	4	12	STD-97	Nut	3-7	7	6
STD-9	Nut	3-13	4	11	STD-97	Nut	3-11	5	8
STD-9	Nut	4-7	8	24	STD-97	Nut	3-13	7	2
STD-9	Nut	5-3	10	4	STD-111	Gasket	2-8	28	1
STD-9	Nut	5-5	5	2	STD-111	Gasket	3-4	27	1
STD-9	Nut	5-7	12	12	STD-111	Gasket	5-2	10	1
STD-9	Nut	5-7	12	24	STD-111	Gasket	5-3	3	2
STD-19	Dowel	3-6	14	1	STD-120	Plug	2-7	4	2
STD-19	Dowel	5-2	21	1	STD-120	Plug	2-8	10	1
STD-28	Washer	5-5	9	4	STD-151	Dowel	3-2	13	1
STD-33	Washer	1-3	14	6	STD-160	Lockwasher	1-8	15	7
STD-33	Washer	1-8	5	15	STD-160	Lockwasher	2-8	26	6
STD-33	Washer	2-6	14	6	STD-160	Lockwasher	3-3	3	4
STD-33	Washer	2-7	21	6	STD-160	Lockwasher	3-3	20	4
STD-33	Washer	2-8	31	8	STD-160	Lockwasher	3-3	25	3
STD-33	Washer	3-12	3	6	STD-160	Lockwasher	3-11	14	11
STD-33	Washer	3-12	5	12	STD-160	Lockwasher	3-12	15	4
STD-35	Washer	1-3	8	6	STD-160	Lockwasher	3-12	16	8
STD-35	Washer	2-4	5	4	STD-160	Lockwasher	3-13	2	10
STD-35	Washer	2-8	22	4	STD-160	Lockwasher	3-13	2	12
STD-35	Washer	2-8	22	16	STD-160	Lockwasher	4-7	7	24
STD-35	Washer	3-5	9	3	STD-160	Lockwasher	5-3	9	4
STD-35	Washer	3-12	8	6	STD-160	Lockwasher	5-5	4	2
STD-35	Washer	3-12	19	4	STD-160	Lockwasher	5-7	11	24
STD-35	Washer	3-12	24	4	STD-160	Lockwasher	5-7	11	12
STD-35	Washer	4-9	1	12	STD-197	Screw	3-3	12	1
STD-35	Washer	5-8	3	4	STD-208	Seal	3-9	18	1
STD-35	Washer	6-2	20	1	STD-213	Seal	3-6	2	1
STD-36	Palnut	5-8	5	4	STD-294	Gasket	5-2	22	3
STD-37	Nut	2-8	24	4	STD-314	Screw	3-2	24	2
STD-37	Nut	3-12	10	6	STD-332	Circlip	2-8	19	1
STD-37	Nut	3-12	21	4	STD-351	Gasket	1-4	10	2
STD-37	Nut	3-12	26	4	STD-351	Gasket	3-9	25	2
STD-37	Nut	4-9	3	12	STD-355	Plug	5-2	15	1
STD-37	Nut	5-8	4	4	STD-394	Dowel	2-8	16	1
STD-37	Nut	6-2	22	4	STD-394	Dowel	3-7	3	2
STD-37	Nut	6-2	22	1	STD-394	Dowel	3-8	9	1

AVCO LYCOMING AIRCRAFT ENGINE GROUP ASSEMBLY PARTS LIST

NUMERICAL INDEX

PART NO.	PART NAME	PAGE NO.	REF. NO.	QTY.	PART NO.	PART NAME	PAGE NO.	REF. NO.	QTY.
STD-394	Dowel	3-9	7	1	STD-872	Nut	1-8	6	4
STD-395	Screw	3-5	14	2	STD-918	Screw	5-4	3	3
STD-405	Plug	5-2	13	1	STD-951	Dowel	3-10	4	1
STD-405	Plug	5-2	19	1	STD-951	Dowel	3-10	6	1
STD-434	Dowel	3-10	9	1	STD-994	Ring	2-2	2	1
STD-453	Plug	3-2	15	2	STD-994	Ring	2-3	2	1
STD-475	Lockwasher	2-8	23	4	STD-1013	Nut	2-4	7	4
STD-475	Lockwasher	3-12	9	6	STD-1013	Nut	2-5	5	4
STD-475	Lockwasher	3-12	20	4	STD-1016	Screw	2-4	19	6
STD-475	Lockwasher	3-12	25	4	STD-1016	Screw	2-5	16	6
STD-475	Lockwasher	4-9	2	12	STD-1017	Rivet	2-2	9	1
STD-475	Lockwasher	6-2	21	4	STD-1017	Rivet	2-3	9	1
STD-475	Lockwasher	6-2	21	1	STD-1021	Dowel	2-2	16	1
STD-547	Seal	3-3	7	1	STD-1021	Dowel	2-3	16	1
STD-547	Seal	3-6	20	1	STD-1053	Plug	3-10	13	1
STD-557	Dowel	1-2	21	2	STD-1065	Dowel	1-6	2	1
STD-585	Ring	5-7	6	6	STD-1066	Dowel	1-6	2	1
STD-589	Gasket	1-4	7	1	STD-1104	Plug	3-10	17	2
STD-589	Gasket	5-6	1	1	STD-1114	Screw	3-5	14	2
STD-596	Nut	1-8	9	4	STD-1164	Insert	3-8	15	1
STD-596	Nut	2-8	33	8	STD-1171	Insert	1-3	11	2
STD-596	Nut	3-12	5	6	STD-1173	Insert	5-2	5	3
STD-596	Nut	3-12	5	12	STD-1177	Dowel	3-2	19	1
STD-616	Nut	1-3	9	6	STD-1215	Bolt	5-7	13	12
STD-617	Nut	1-3	16	4	STD-1230	Bolt	3-13	3	3
STD-662	Nut	3-9	26	1	STD-1230	Bolt	3-13	3	1
STD-678	Washer	1-8	8	4	STD-1269	Clamp	5-7	9	12
STD-678	Lockwasher	2-8	32	8	STD-1305	Ring	5-5	11	1
STD-678	Washer	3-12	4	6	STD-1315	Insert	1-2	15	17
STD-678	Washer	3-12	5	12	STD-1315	Insert	3-2	3	4
STD-679	Screw	1-6	4	4	STD-1315	Insert	3-4	3	5
STD-684	Nipple	4-8	2	6	STD-1315	Insert	3-11	3	4
STD-696	Washer	3-7	7	AR	STD-1339	Plug	3-4	26	5
STD-703	Screw	1-6	4	4	STD-1340	Pin	2-7	7	1
STD-713	Pin	1-8	7	1	STD-1354	Washer	3-5	20	1
STD-714	Pin	3-3	9	1	STD-1392	Plug	2-7	6	1
STD-714	Pin	3-5	7	1	STD-1392	Plug	3-8	11	1
STD-783	Plug	1-2	17	1	STD-1485	Screw	3-2	22	1
STD-783	Plug	3-10	12	1	STD-1507	Clamp	5-5	14	2
STD-783	Plug	5-2	16	1	STD-1566	Screw	5-5	10	4
STD-784	Plug	5-2	23	1	STD-1623	Insert	1-2	14	1
STD-798	Dowel	2-2	13	1	STD-1659	Elbow	5-2	18	1
STD-798	Dowel	2-8	4	2	STD-1660	Nipple	5-5	15	1
STD-798	Dowel	3-2	13	1	STD-1663	Hose	5-5	17	1
STD-798	Dowel	3-5	17	1	STD-1686	Screw	4-10	7	4
STD-841	Hose	5-5	13	1	STD-1687	Washer	4-10	6	4
STD-856	Screw	1-5	20	1	STD-1693	Bushing	5-2	20	1
STD-858	Key	1-5	12	1	STD-1695	Nut	2-6	16	6
STD-859	Dowel	2-3	13	1	STD-1695	Nut	2-7	22	6
STD-859	Dowel	3-4	7	1	STD-1702	Seal	3-7	8	1

AVCO LYCOMING AIRCRAFT ENGINE GROUP ASSEMBLY PARTS LIST

NUMERICAL INDEX

PART NO.	PART NAME	PAGE NO.	REF. NO.	QTY.	PART NO.	PART NAME	PAGE NO.	REF. NO.	QTY.
STD-1708	Seal	3-6	4	1	5152	Nut	6-8	28	5
STD-1709	Circlip	3-7	10	1	5178	Sleeve	6-5	15	12
STD-1727	Washer	6-2	19	4	5346	Connector	6-5	16	12
STD-1736	Pin	2-2	18	1	5422	Nail	6-5	14	12
STD-1736	Pin	2-3	18	1	5475	Cable	6-5	28	AR
STD-1821	Hose	4-8	3	6	5475	Cable	6-7	19	AR
STD-1852	Plug	3-2	16	1	5584	Elbow	6-5	35	9
STD-1854	Seal	3-6	8	1	5584	Elbow	6-7	14	3
STD-1860	Screw	3-6	9	1	5585	Elbow	6-5	36	3
STD-1879	Bolt	3-13	6	1	5585	Elbow	6-7	13	9
STD-1914	Clamp	5-5	18	2	5651	Sleeve	6-5	17	12
STD-1924	Clamp	4-8	4	12	5651	Collar	6-7	16	12
STD-1925	Screw	4-7	11	48	6773	Bracket	6-5	18	1
511	Spacer	2-6	15	12	6773	Bracket	6-6	22	1
511	Spacer	2-7	20	12	6777	Clamp	6-5	26	1
654-B	Spring	3-8	8	1	6777	Clamp	6-6	30	1
662	Nut	1-4	11	1	6778	Clamp	6-5	31	3
671-B	Cover	3-12	2	1	6778	Clamp	6-6	34	3
671-B	Cover	3-12	2	2	6782	Clamp	6-5	25	1
1025-B	Stud	1-2	5	24	6782	Clamp	6-6	29	1
1027-C	Gasket	3-12	12	1	6783	Clamp	6-5	22	1
1028-B	Ball	3-8	4	1	6783	Clamp	6-6	28	1
1102	Plug	1-2	16	4	6785	Plate	6-5	34	2
1102	Plug	2-2	15	1	6785	Plate	6-6	37	2
1102	Plug	2-3	17	1	6799	Screw	6-5	32	7
1102	Plug	2-8	14	3	6799	Screw	6-6	35	7
1102	Plug	2-8	14	5	6799	Screw	6-8	30	5
1102	Plug	3-2	14	2	6800	Clamp	6-5	24	2
1102	Plug	3-4	9	1	6800	Clamp	6-6	27	2
1102	Plug	3-10	16	2	6801	Clamp	6-5	23	1
1102	Plug	4-5	12	6	6801	Clamp	6-6	26	1
1112-BC	Sleeve	5-5	20	1	6802	Clamp	6-5	33	2
E1134-109-10	Cable	6-7	8	1	6802	Clamp	6-6	36	2
E1134-109-20	Cable	6-7	11	1	6802	Clamp	6-8	31	1
E1134-110-10	Cable	6-7	10	2	6811	Bracket	6-5	20	1
E1134-110-20	Cable	6-7	9	2	6811	Bracket	6-6	24	1
E1199-602-0812	Cable	6-7	6	1	6812	Bracket	6-5	19	1
E1199-602-1908	Cable	6-7	3	1	6812	Bracket	6-6	23	1
E1199-603-0904	Cable	6-7	7	1	6813	Bracket	6-5	30	2
E1199-603-1308	Cable	6-7	5	1	6813	Bracket	6-6	33	2
E1199-603-1600	Cable	6-7	4	1	6813	Bracket	6-8	29	1
E1199-603-2300	Cable	6-7	2	1	7410	Term. Stud	6-6	18	12
E1348-13-10	Clip	6-7	12	1	7410	Terminal	6-8	19	12
1691-C	Gasket	3-12	17	1	7493	Plate	6-5	27	2
5028	Spring	6-6	17	12	7493	Plate	6-6	31	2
5028	Spring Ass'y.	6-8	25	12	7494	Grommet	6-5	37	2
5077	Cap	6-6	21	12	7495	Washer	6-5	21	12
5077	Cap	6-8	21	12	7495	Washer	6-6	25	12
5152	Nut	6-5	29	7	7495	Washer	6-8	26	12
5152	Nut	6-6	32	7	7612	Spring. Ass'y.	6-6	20	12

AVCO LYCOMING AIRCRAFT ENGINE GROUP ASSEMBLY PARTS LIST

NUMERICAL INDEX

PART NO.	PART NAME	PAGE NO.	REF. NO.	QTY.	PART NO.	PART NAME	PAGE NO.	REF. NO.	QTY.
7724	Elbow	6-6	14	9	59489	Lead	6-6	4	1
7724	Elbow	6-8	14	3	59490	Lead	6-6	5	1
7726	Elbow	6-6	15	3	59491	Lead	6-6	6	1
7726	Elbow	6-8	13	9	59492	Lead	6-6	6	1
8313	Gasket	3-3	17	1	59493	Lead	6-6	8	1
8313	Gasket	3-12	11	1	59494	Lead	6-6	9	1
8313	Gasket	3-12	11	2	59495	Lead	6-6	10	1
20415	Gasket	3-12	22	1	59496	Lead	6-6	11	1
30311	Bearing	3-11	7	1	59497	Lead	6-6	12	1
40507	Seal	2-6	13	1	59498	Lead	6-6	13	1
40507	Seal	2-7	19	1	60009	Key	4-5	10	12
45226	Tube	1-5	21	12	60080	Plunger	1-4	5	1
45663	Gasket	6-2	11	3	60130	Gasket	5-3	6	1
45684	Gasket	3-12	6	1	60131	Gasket	5-7	4	6
50302	Grommet	6-7	21	2	60133	Flange	5-7	7	6
50302	Grommet	6-8	18	2	60329	Shaft	3-5	6	1
51581	Grommet	6-6	19	12	60404	Cover	5-3	7	1
51581	Grommet	6-8	22	12	60407	Screen	5-3	5	1
52426	Plate	6-8	17	2	60430	Cover	3-3	16	1
54219	Clamp	6-8	27	4	60430	Cover	3-12	13	1
54356	Spring	6-8	20	12	60430	Cover	3-12	13	2
54586	Bracket	6-8	24	2	60431	Cover	3-12	18	1
54588	Bracket	6-8	23	2	60444	Gasket	3-3	23	1
58244	Lead	6-5	2	1	60444	Gasket	3-3	13	1
58245	Lead	6-5	3	1	60448	Tube	1-5	22	1
58246	Lead	6-5	4	1	60476	Spring	5-6	3	1
58247	Lead	6-5	5	1	60532	Gasket	3-2	1	1
58248	Lead	6-5	6	1	60629	Nut	1-5	15	1
58249	Lead	6-5	7	1	60630	Lockplate	1-5	14	1
58250	Lead	6-5	8	1	60643	Pin	1-5	19	1
58251	Lead	6-5	9	1	60644	Lockplate	1-5	18	1
58252	Lead	6-5	10	1	60733	Shim	1-5	16	AR
58253	Lead	6-5	11	1	60746	Impeller	3-5	3	1
58254	Lead	6-5	12	1	60747	Impeller	3-5	8	1
58255	Lead	6-5	13	1	60803	Strap	1-8	10	2
58816	Cable	6-8	32	AR	60828	Plug	4-3	3	12
58820	Lead	6-8	8	1	60949	Bearing	6-2	1	2
58821	Lead	6-8	10	1	61165	Seal	3-3	22	1
58822	Lead	6-8	3	1	61503	Sleeve	4-6	4	12
58823	Lead	6-8	5	1	61566	Kit Ass'y.	6-3	1	2
58824	Lead	6-8	7	1	62224	Gasket	6-2	11	2
58825	Lead	6-8	2	1	62922	Seal	4-6	5	24
58826	Lead	6-8	6	1	65007	Retainer	1-2	22	12
58827	Lead	6-8	4	1	65030	Shim	2-6	10	1
58828	Lead	6-8	9	1	65030	Shim	2-7	16	1
58828	Lead	6-8	11	1	65074	Socket	1-4	4	12
58829	Lead	6-8	12	1	65099	Gasket	5-2	1	2
59457	Lead	6-6	2	1	65366	Bearing	2-6	8	1
59465	Cable	6-6	16	AR	65366	Bearing	2-6	14	1
59488	Lead	6-6	3	1					

AVCO LYCOMING AIRCRAFT ENGINE GROUP ASSEMBLY PARTS LIST

NUMERICAL INDEX

PART NO.	PART NAME	PAGE NO.	REF. NO.	QTY.	PART NO.	PART NAME	PAGE NO.	REF. NO.	QTY.
65377	Gear	1-5	13	1	66670	Bushing	4-4	6	24
65399	Screen	5-3	1	1	66713	Guide	4-4	4	6
65519	Bushing	1-5	3	1	66717	Spring	4-6	2	6
65598	Bushing	3-2	12	1	66728	Washer	4-6	3	24
65614	Plug	4-10	5	4	66731	Cover	4-7	6	12
65622	Gear Ass'y.	3-5	11	1	66732	Gasket	4-7	5	12
65705	Plug	5-6	4	1	66796	Insert	4-4	7	12
65734	Bearing	6-2	1	2	66835	Plate	6-7	20	2
65761	Adapter	6-2	3	2	66871	Pipe	5-7	1	2
65764	Gasket	6-2	2	2	66872	Pipe	5-7	3	2
65818	Pin	2-8	30	1	66573	Pipe	5-7	2	2
65819	Bushing	4-2	2	6	66881	Gear Ass'y.	3-3	27	1
65970	Gear	2-2	5	1	66920	Spring	1-4	6	1
65970	Gear	2-3	5	1	66926	Hsg. Breather	5-5	1	1
65973	Lockring	2-2	8	1	66927	Cover	5-5	8	1
65973	Lockring	2-3	8	1	66928	Gasket	5-5	6	2
65978	Gear Ass'y.	2-5	1	1	66937	Tube Ass'y.	5-5	16	1
65979	Gear	2-4	2	1	66942	Extension	1-7	3	1
65979	Gear	2-5	2	1	66955	Bracket	1-3	1	2
65980	Plate	2-5	3	1	66956	Bracket	1-3	2	2
65985	Roller	2-4	14	102	66960	Plunger	5-6	2	1
65985	Roller	2-5	11	102	66965	Adapter	5-2	24	1
65986	Shaft	2-4	11	6	66970	Adapter	6-2	10	1
65986	Shaft	2-5	8	6	66973	Coupling	6-2	8	1
65987	Cup	2-5	9	6	66976	Magneto	6-2	15	1
65987	Cup	2-4	12	6	66977	Magneto	6-2	14	1
65992	Circlip	2-4	4	AR	67112	Rocker Ass'y.	4-7	3	6
65992	Circlip	2-5	4	AR	67113	Rocker Ass'y.	4-7	2	6
65993	Circlip	2-4	4	AR	67193	Gasket	4-7	9	6
65993	Circlip	2-5	4	AR	67195	Flange	4-9	4	6
65994	Circlip	2-4	4	AR	67196	Gasket	4-9	5	6
65994	Circlip	2-5	4	AR	67204	Lockplate	1-5	14	1
65995	Circlip	2-4	4	AR	67388	Plate	2-2	6	1
65995	Circlip	2-5	4	AR	67388	Plate	2-3	6	1
66049	Circlip	2-2	7	AR	67393	Gear	2-4	16	6
66049	Circlip	2-3	7	AR	67393	Gear	2-5	13	6
66050	Circlip	2-2	7	AR	67447	Bearing	1-4	1	8
66050	Circlip	2-3	7	AR	67477	Gear	1-6	3	1
66051	Circlip	2-2	7	AR	67479	Gear	3-5	2	1
66051	Circlip	2-3	7	AR	67480	Gear	3-5	1	1
66052	Pin	2-4	13	6	67583	Gear	3-6	22	1
66052	Pin	2-5	10	6	67596	Bushing	3-7	2	1
66145	Dowel	1-2	18	2	67605	Jaw	3-7	9	1
66145	Dowel	3-4	5	2	67609	Gear	3-6	23	1
66173	Spacer	3-5	12	2	67610	Gear Ass'y.	3-6	21	1
66207	Body	3-5	5	1	67633	Gasket	3-7	11	1
66217	Body Ass'y.	3-5	4	1	67635	Shim	3-11	1	1
66224	Gasket	5-8	1	1	67641	Nut	3-11	11	1
66426	Impeller	3-9	2	1	67642	Lockwasher	3-11	10	1
66519	Coupling	6-2	8	1	67646	Bushing	3-4	8	1

AVCO LYCOMING AIRCRAFT ENGINE GROUP ASSEMBLY PARTS LIST

NUMERICAL INDEX

PART NO.	PART NAME	PAGE NO.	REF. NO.	QTY.	PART NO.	PART NAME	PAGE NO.	REF. NO.	QTY.
67653	Bushing	3-10	3	1	68456	Gasket	3-8	1	1
67687	Gear	1-5	13	1	68463	Spacer	3-9	1	1
67688	Nut	1-5	15	1	68464	Strainer	3-9	11	1
67690	Washer	3-6	5	1	68465	Body Ass'y.	3-9	4	1
67704	Shaftgear	3-6	3	1	68466	Bushing	3-8	7	1
67722	Ring	2-6	7	8	68466	Bushing	3-9	6	1
67722	Ring	2-7	13	12	68467	Gear	3-9	15	1
67742	Bushing	3-4	6	1	68513	Ring	4-3	4	12
67782	Shaftgear	3-6	1	1	68542	Spring	3-9	24	1
67787	Tube Ass'y.	4-8	1	6	68545	Washer Ass'y.	3-6	12	1
67914	Gasket	2-4	17	1	65553	Gear	3-6	16	1
67914	Gasket	2-5	14	1	68556	Gasket	3-10	1	1
67940	Nut	1-4	12	1	68563	Bushing	3-6	14	1
67940	Nut	3-9	28	1	68565	Gear	3-6	28	1
67981	Plunger	3-9	23	1	68568	Hub Ass'y.	3-6	13	1
68030	Gear Ass'y.	2-8	1	1	68572	Slinger	3-6	15	1
68032	Bushing	2-8	2	1	68590	Bushing	3-10	5	1
68033	Bushing	2-8	3	1	68627	Shield	3-5	19	1
68041	Bushing	2-8	15	1	68629	Tube	3-2	20	1
68042	Gear	2-8	18	1	68669	Screw	3-5	21	1
68044	Washer	2-8	5	AR	68670	Nut	3-5	22	1
68045	Washer	2-8	6	AR	68672	Bushing	3-2	12	1
68046	Washer	2-8	7	AR	68679	Spacer	3-5	12	2
68048	Plug	1-4	8	1	68682	Gear	1-6	3	1
68087	Plate	2-4	3	1	68694	Adapter Ass'y.	3-7	1	1
68156	Shaft	3-9	9	1	68695	Cover	4-7	10	6
68161	Shaft	3-9	8	1	68696	Ct-Shaft	3-5	18	1
68172	Gasket	5-2	1	1	68702	Bushing	3-5	16	1
68174	Gasket	3-4	1	1	68835	Gear	3-11	6	1
68186	Adapter	3-7	12	1	68874	Cushion	6-2	6	4
68192	Gasket	5-4	1	1	68875	Retainer	6-2	5	2
68198	Screen	5-4	2	1	68959	Support	3-2	23	2
68207	Body	3-9	5	1	68961	Gear Ass'y.	6-2	4	2
68291	Cap	2-6	12	1	68967	Housing	3-2	2	1
68291	Cap	2-7	18	1	68982	Extension	1-7	2	1
68293	Housing	2-4	18	1	68983	Cap	1-7	6	1
68293	Housing	2-5	15	1	69124	Annulus	3-2	17	1
68297	Cage	2-4	10	1	69155	Gear Ass'y.	3-5	11	1
68297	Cage	2-5	7	1	69177	Shaftgear	3-6	6	1
68319	Slinger	2-6	9	1	69208	Coupling	6-2	7	1
68319	Slinger	2-7	15	1	69208	Coupling	6-2	7	2
68322	Cap Ass'y.	2-6	11	1	69235	Ring, Scraper	4-3	6	6
68322	Cap Ass'y.	2-7	17	1	69236	Piston	4-3	1	6
68325	Seat	4-5	3	6	69240	Sump	5-2	3	1
68326	Spring	4-5	5	12	69258	Gear	2-6	5	1
68327	Seat	4-5	8	6	69258	Gear	2-7	11	1
68328	Spring	4-5	6	12	69265	Sleeve	2-3	12	1
68364	Bolt	2-4	6	4	69267	Sleeve	2-7	12	1
68403	Impeller	3-9	3	2	69269	Tube Ass'y.	2-7	3	1
68410	Gear Ass'y.	3-6	19	1	69270	Shaft Ass'y.	2-7	1	1

AVCO LYCOMING AIRCRAFT ENGINE GROUP ASSEMBLY PARTS LIST

NUMERICAL INDEX

PART NO.	PART NAME	PAGE NO.	REF. NO.	QTY.	PART NO.	PART NAME	PAGE NO.	REF. NO.	QTY.
69276	Adapter Ass'y.	2-8	13	1	69662	Gear	1-6	3	1
69278	Shim	2-8	12	1	69693	Guide	4-4	5	6
69286	Annulus	3-4	24	1	69697	Cap	4-5	11	6
69290	Adapter Ass'y.	2-8	13	1	69698	Seat	4-5	7	6
69291	Adapter Ass'y.	2-8	13	1	69700	Cover	3-11	13	1
69294	Carburetor	5-8	2	1	69701	Bracket	1-3	3	2
69330	Ring, Scraper	4-3	6	6	69727	Gear	2-2	4	1
69335	Plug	2-8	29	1	69727	Gear Ass'y.	2-3	4	1
69335	Plug	3-4	29	1	69733	Hsg. Ass'y.	2-2	10	1
69335	Plug	5-2	11	1	69735	Gear Ass'y.	2-4	1	1
69335	Plug	5-3	2	1	69796	Dowel	1-2	20	8
69335	Plug	5-3	4	1	69861	Dowel	1-2	19	1
69339	Sump	5-2	3	1	69876	Cage Ass'y.	2-4	9	1
69351	Pipe	5-5	12	1	69876	Cage Ass'y.	2-5	6	1
69352	Gear Ass'y.	3-5	15	1	69908	Carburetor	5-8	2	1
69373	Bearing	4-2	5	12	69922	Cap	1-7	6	1
69376	Stud	1-2	2	4	69923	Extension	1-7	2	1
69377	Stud	1-2	3	4	69926	Carburetor	5-8	2	1
69413	Bushing	3-2	18	1	69928	Baffle	4-10	2	1
69414	Housing	3-2	2	1	69947	Baffle	4-10	1	4
69421	Gasket	3-3	10	1	69948	Baffle	4-10	1	3
69422	Shaft	3-3	8	1	70337	Bracket	1-3	4	2
69424	Gear Ass'y.	3-3	15	1	70338	Spacer	5-5	2	2
69427	Gear Ass'y.	3-3	14	1	70349	Spacer	5-2	2	1
69429	Adapter Ass'y.	3-3	1	1	70357	Hsg. Ass'y.	3-4	2	1
69430	Support	3-3	11	1	70364	Cr'case. Ass'y.	1-2	1	1
69433	Roller	1-5	8	12	70376	Cr'case. Ass'y.	1-2	1	1
69433	Roller	1-5	8	10	70398	Screen	5-5	7	1
69435	Cover	3-2	21	1	70413	Plug	2-7	5	1
69457	Ring, Oil	4-3	5	6	70414	Shaft Ass'y.	2-7	1	1
69461	Dowel	1-5	5	3	70415	Shaft	2-7	2	1
69505	Pipe	5-5	19	1	70416	Roller	1-5	9	2
69525	Housing	3-2	2	1	70425	Harness	6-7	1	1
69545	Housing	3-2	2	1	70446	Bracket	1-3	7	2
69565	Sleeve	3-6	27	1	70450	Bracket	1-3	10	1
69566	Shaft Ass'y.	3-6	26	1	70451	Bracket	1-3	13	1
69567	Coupling	6-2	9	1	70457	Gasket	1-7	1	1
69569	Washer	3-6	29	1	70460	Washer	3-9	19	1
69570	Ring	3-6	30	1	70487	Jaw	1-5	17	1
69580	Dowel	1-2	18	2	70495	Housing	3-2	2	1
69585	Cover	3-12	7	1	70496	Housing	3-2	2	1
69598	Pipe	5-7	3	2	71028	Cable Ass'y.	6-5	1	1
69599	Pipe	5-7	2	2	71066	Clip	4-10	8	2
69600	Pipe	5-7	1	2	71067	Clip	4-10	9	1
69602	Connection	5-2	12	6	71124	Bushing	3-10	15	1
69603	Hose	5-7	8	6	71133	Nut	4-6	7	24
69614	Sump	5-2	3	1	71134	Nut	4-6	8	24
69621	Plug	3-4	30	1	71163	Magneto	6-2	18	1
69650	Pin	4-3	2	6	71210	Gasket	2-8	11	2
69658	Pin	3-4	25	1	71226	Screw	3-9	27	1

AVCO LYCOMING AIRCRAFT ENGINE GROUP ASSEMBLY PARTS LIST

NUMERICAL INDEX

PART NO.	PART NAME	PAGE NO.	REF. NO.	QTY.	PART NO.	PART NAME	PAGE NO.	REF. NO.	QTY.
71265	Rocker Ass'y.	4-3	3	6	72437	Gasket	3-11	12	1
71266	Rocker Ass'y.	4-7	2	6	72450	Prop. Shaft	2-6	1	1
71341	Bushing	3-4	4	1	72454	Ring, Oil	4-3	5	6
71381	Valve	4-5	2	6	72588	Shaft Ass'y.	2-8	8	1
71434	Magneto	6-2	13	1	72589	Shaft	2-8	9	1
71435	Magneto	6-2	13	1	72626	Shaft	4-7	4	12
71436	Magneto	6-2	12	1	72785	Filter Ass'y.	3-9	20	1
71481	Ring, Seal	4-6	6	6	72855	Gage	1-7	5	1
71489	Plug	6-4	13	12	72857	Gage	1-7	7	1
71489	Plug	6-7	15	12	72875	Gear Red.	2-2	3	1
71489	Plug	6-9	2	12	72879	Gear Red.	2-2	3	1
71498	Magneto	6-2	17	1	72897	Guide	4-4	5	6
71549	Washer	4-7	1	12	73061	Tappet Body	1-4	2	12
71556	Ring	4-3	4	12	73085	Body	3-8	5	1
71571	Kit Ass'y.	6-3	3	1	73087	Body Ass'y.	3-8	3	1
71574	Kit Ass'y.	6-3	2	2	73090	Pump	3-8	2	1
71610	Hook	4-10	3	4	73094	Cover Ass'y.	3-10	2	1
71611	Retainer	4-10	4	4	73111	Valve	4-5	2	1
71616	Bushing	3-7	4	1	73112	Seat	4-5	4	6
71695	Plug	1-5	23	1	73115	Seat	4-5	7	6
71774	Cover	3-9	22	1	73129	Valve	4-5	1	6
71875	Washer	6-7	17	12	73245	Eyelet	6-7	18	12
71875	Washer	6-8	15	12	73245	Eyelet	6-4	6	12
71894	Seat	4-4	3	6	73245	Eyelet	6-8	16	12
71895	Seat	4-4	2	6	73245	Eyelet	6-9	16	12
71904	Ct. Wt. Ass'y.	1-5	6	6	73346	Flange	5-6	5	6
71904	Ct. Wt. Ass'y.	1-5	6	5	73434	Rod Ass'y.	4-6	9	AR
71905	Ct. Wt. Ass'y.	1-5	7	1	73435	Rod Ass'y.	4-6	9	AR
71906	Ring	1-5	10	24	73436	Rod Ass'y.	4-6	9	AR
71907	Washer	1-5	11	24	73810	Bushing	1-5	2	12
71973	Gasket	5-7	4	6	73857	Ring, Oil	4-3	5	6
71999	Retainer	3-8	6	1	73927	Cable Ass'y.	6-6	1	1
72038	Magneto	6-2	16	1	73928	Harness	6-8	1	1
72050	Key	4-5	9	12	73946	Stabilizer	4-4	13	6
72053	Gasket	2-8	20	1	73976-S	Piston	4-3	1	6
72075	Seal	1-8	1	8	73998	Ring, Oil	4-3	5	6
72078	Lockplate	1-6	5	2	74203	Lockplate	2-6	2	1
72139	Dowel	3-6	24	3	74203	Lockplate	2-7	8	1
72157	Bushing	2-2	19	1	74204	Nut	2-6	3	1
72157	Bushing	2-3	19	1	74204	Nut	2-7	9	1
72158	Bushing	2-2	20	1	74241	Ring	4-3	4	12
72158	Bushing	2-3	20	1	74337	Sleeve	2-6	6	1
72218	Bearing	4-2	5	12	74412	Plate	3-11	8	1
72220	Gasket	1-7	4	1	74419	Cr'shaft.	1-5	1	1
72308	Bushing	1-5	4	1	74494	Plate	4-7	12	6
72343	Stabilizer	4-4	11	6	74508	Housing	2-3	11	1
72344	Stabilizer	4-4	12	6	74509	Hsg. Ass'y.	2-3	10	1
72378	Cover	2-8	21	1	74510	Gear Ass'y.	2-3	3	1
72384	Shaft	3-6	7	1	74511	Gear Ass'y.	2-3	3	1
72412	Cover	3-12	23	1	74595	Screw	1-4	9	1

AVCO LYCOMING AIRCRAFT ENGINE GROUP ASSEMBLY PARTS LIST

NUMERICAL INDEX

PART NO.	PART NAME	PAGE NO.	REF. NO.	QTY.	PART NO.	PART NAME	PAGE NO.	REF. NO.	QTY.
74646	Nut	4-2	4	12	76753	Sleeving	6-4	4	6
74673	Ring	4-3	4	18	76753	Sleeving	6-9	9	6
74822	Gasket	2-2	1	1	76755	Collar	6-4	12	12
74822	Gasket	2-3	1	1	76755	Collar	6-9	3	12
75003	Cr'shaft.	1-5	1	1	76757	Nut	6-4	10	12
75018	Cr'shaft.	1-5	1	1	76757	Nut	6-9	5	12
75026	Adapter Ass'y.	3-11	2	1	76843	Plate	6-9	11	2
75649	Spacer	2-4	15	12	76844	Plate	6-9	10	2
75649	Spacer	2-5	12	12	76923-48S-70-63	Lead	6-4	15	6
75775	Shroud Tube	4-6	1	12	76923-48S-70-63	Lead	6-9	7	6
75928	Cylinder	4-4	1	6	76923-72S-70-63	Lead	6-4	16	6
75929	Cylinder	4-4	1	6	76923-72S-70-63	Lead	6-9	8	6
75941	Tape	6-4	9	1	76982	Plate	6-4	2	2
75941	Tape	6-9	17	1	76982	Mag. Plate	6-9	18	2
76552	Cylinder	4-4	1	6	76983	Grommet	6-4	3	2
76721	Elbow	6-4	14	12	76983	Grommet	6-9	15	2
76721	Elbow	6-9	6	12	77134	Camshaft	1-6	1	1
76726	Intersleeve	6-4	7	12	77135	Camshaft	1-6	1	1
76726	Intersleeve	6-9	12	12	78027	Bolt	4-2	3	12
76728	Sleeve	6-4	8	12	78028	Conn. Rod	4-2	1	6
76728	Sleeve	6-9	13	12	78029	Conn. Rod	4-2	1	6
76729	Ring	6-4	5	12	78290	Plunger Ass'y.	1-4	3	12
76729	Ring	6-9	14	12	78544	Cable Ass'y.	6-4	1	1
76747	Ferrule	6-4	11	12	75545	Cable Ass'y.	6-9	1	1
76747	Ferrule	6-9	4	12	78762	Piston	4-3	1	6

AVCO LYCOMING PARTS CATALOG

GO-480-B, -D AND -F6 SERIES
LOW COMPRESSION
AIRCRAFT ENGINES

SECTION VIII

VENDOR ACCESSORY SECTION

AVCO LYCOMING AIRCRAFT ENGINE GROUP ASSEMBLY PARTS LIST

GO-480-B, -D AND -F6 SERIES (LOW COMPRESSION)
SECTION VIII

8-2 - BENDIX CARBURETOR - PS5BD VENDOR P/N - 391569-10, 391561-14, 391621-8

REF. NO.	PART NUMBER	DESCRIPTION					QTY. PER ENG.	MODEL USAGE
		1	2	3	4	5		
1	69294	CARBURETOR, AMC Unit P/N 391851					1	B, -F6
	69908	CARBURETOR, AMC Unit P/N 391851					1	B, -F6
	69926	CARBURETOR					1	-D1A
2	P10666	WASHER, Non metallic					1	69908 only
3	P13675	LEVER, Mixture control					1	
4	P19821	WASHER, Spring					1	
5	P4235	SCREW, Machine, #8-32 x 3/8 in. long					2	
6	P6521	SCREW, Tapping No. 2 x 3/16 in. long					2	
7	P8508	PLUG, pipe					1	
8	P8548	WASHER, Non metallic					1	
9	328617	SEAL						
10	364446	DIAPHRAGM ASSEMBLY, Discharge					1	
11	364449	SPRING, Helical, compression					1	
12	364858	STRAINER ASSEMBLY					1	
13	364966	DIAPHRAGM ASSEMBLY, Enrichment valve					1	
14	365092	SPRING, Helical compression					1	69294 excluded
15	365533	WASHER, Non metallic					1	
16	365561	SEAT, Valve power enrichment					1	69926 only
17	366032	SEAT, Valve power enrichment					1	69908 only
18	366076	NOZZLE ASSEMBLY, Discharge					1	69294 excluded
19	366117	SEAT, Idle needle					1	69294 excluded
20	366144	SHAFT ASSEMBLY, Throttle					1	
21	366159	LINK ASSEMBLY, Mixture control					1	69926 excluded
22	366191	BUSHING, Throttle stem 0.003 in. o/s					AR	
23	366201	BUSHING, Throttle shaft 0.003 in. o/s					AR	
24	366276	SPRING, Helical, compression					1	69294 excluded
25	366290	SET SCREW					1	
26	366296	DIAPHRAGM ASSEMBLY, Idle and enrichment valve					1	69908 only
27	366298	VALVE, Mixture control					1	
28	366462	VALVE AND SEAT ASSEMBLY, Regulator					1	
29	366655	SPACER ASSEMBLY, Regulator					1	
30	366733	COVER ASSEMBLY, Discharge diaphragm					1	
31	366896	DIAPHRAGM ASSEMBLY, Inner regulator					1	
32	383440	DIAPHRAGM ASSEMBLY, Pump					1	
33	383484	GASKET, Cover, idle push rod					1	
34	383485	WASHER, Non metallic					1	
35	383493	PLUG, Machine thread, 3/4-20					1	
36	383494	PLUG, Air bleed, 1/2-20					1	
37	383505	WASHER, Non metallic					1	
38	383514	SPRING, Discharge needle					1	
39	383518	SPRING, Regulator needle					1	
40	383575	WASHER, Key					1	
41	383907	PIN, Tapered, plain, standard					1	
42	383907-1	PIN, Tapered, plain, 0.005 o/s					AR	
43	383948	LEVER ASSEMBLY, Fuel cut-off					1	
44	383995	COVER, Fuel injector					1	
45	384128	GASKET, Automatic mixture control					1	
46	384583	INSERT, Screw thd. 1/4-20 x 3/8 in.					4	
47	384604	GASKET, Venturi skirt					1	
48	384605	GASKET, Venturi throat					1	
49	384768	SPRING, Idle needle					1	69294 excluded
50	384819	WASHER, (Use under regulator spring)					AR	
51	385027	VALVE ASSEMBLY, Air flow enrichment needle					1	
52	385030	SPRING, Air flow enrichment needle					1	
53	392522	PLUG, Pipe					1	
54	392595	PLUG, Hex, 7/16-20					1	
55	901045	WASHER					2	

NOTE

All parts listed on opposite page are stocked by Avco Lycoming. Unless otherwise noted, parts listed are applicable to all models.

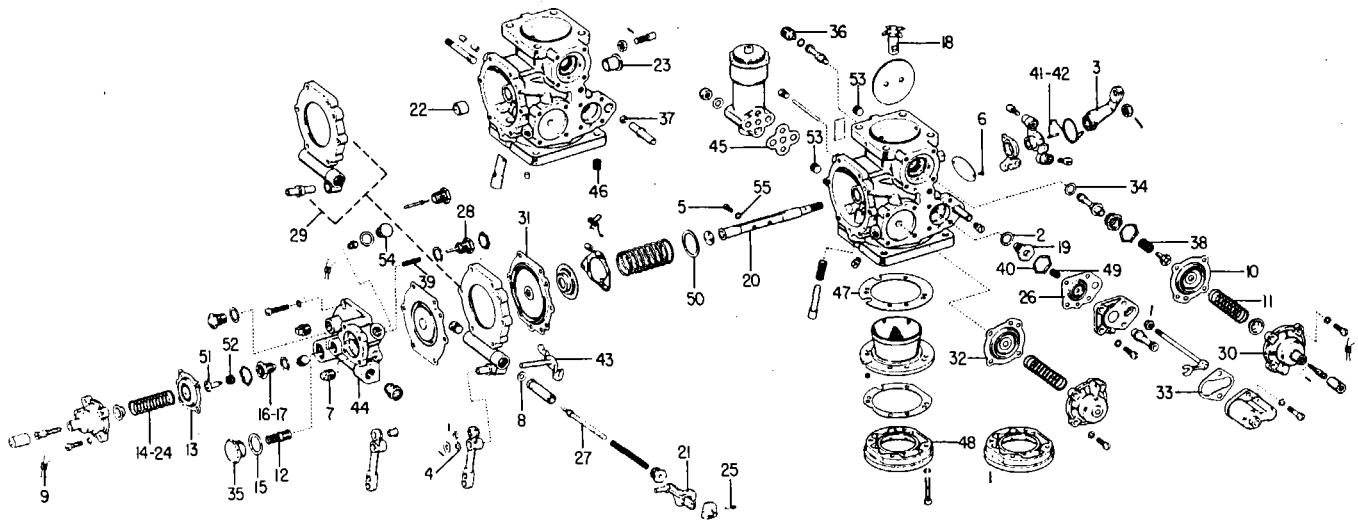


Figure 56. Bendix Carburetor PS-5BD

AVCO LYCOMING AIRCRAFT ENGINE GROUP ASSEMBLY PARTS LIST

BENDIX SCINTILLA MAGNETOS S6LN-20, S6LN-21, S6RN-21
 BENDIX SCINTILLA P/N'S 10-51365-33, 10-51365-32, 10-51365-34
 AVCO LYCOMING P/N'S 71436, 71434, 71435

REF. NO.	PART NUMBER	DESCRIPTION					QTY. PER ENG.	MODEL USAGE
		1	2	3	4	5		
1	10-50727Y	HOUSING, Magneto					1	*
2	10-157134	PLUG, Ventilator, magneto housing					1	*
3	10-160886	COIL					1	*
4	10-50765	CLAMP, Coil core					2	*
5	10-35937-8	SCREW WITH LOCKWASHER, Coil core clamp					2	*
6	10-81806	BEARING, Ball, magnet drive end					1	*
7	2-161-1	WASHER, Flat, 0.0025 in. thick					AR	
	2-161-2	WASHER, Flat, 0.004 in. thick					AR	
	2-161-3	WASHER, Flat, 0.005 in. thick					AR	
	2-161-4	WASHER, Flat, 0.008 in. thick					AR	
	2-161-5	WASHER, Flat, 0.010 in. thick					AR	
	2-161-6	WASHER, Flat, 0.012 in. thick					AR	
	2-161-7	WASHER, Flat, 0.015 in. thick					AR	
8	10-52945	MAGNET, Rotating					1	*S6LN-20
	10-52948	MAGNET, Rotating					1	*S6LN, S6RN-21
9	10-90788-5	KEY, Woodruff, small gear					1	*
10	10-157120-Y	GEAR, Small					1	*
11	10-3503	WASHER, Plain (breaker end bearing)					1	
12	2-199-1	WASHER, Flat, 0.0025 in. thick					AR	
	2-199-2	WASHER, Flat, 0.004 in. thick					AR	
	2-199-3	WASHER, Flat, 0.005 in. thick					AR	
	2-199-4	WASHER, Flat, 0.008 in. thick					AR	
	2-199-5	WASHER, Flat, 0.010 in. thick					AR	
	2-199-6	WASHER, Flat, 0.012 in. thick					AR	
13	2-202	BEARING, Ball (magnet breaker end)					1	
14	10-88543-1	CAM, Breaker					1	*
15	10-51354	WASHER, Plain, Cam screw					1	*
16	10-35936-10	SCREW WITH LOCKWASHER, Cam					1	*
17	10-52917	HOUSING DISTRIBUTOR					1	
18	10-157135	PLUG, Distributor housing					1	*
19	10-52928	BLOCK, Distributor					1	*
20	10-50737	SPRING, Helical, high tension cable contact					6	*
21	10-163374	STRIP, Felt, electrode side					1	*
22	10-50752	WASHER, Felt, ring side					1	*
23	10-102083	SCREW, with plain and lockwasher (dist. block)					3	*
24	10-157197	GEAR, Distributor large					1	*
25	10-50753	WASHER, Plain (dist. gear axle)					1	
26	10-31282	RING, Retaining (dist. gear axle)					1	*
27	10-160844	BRUSH, Carbon					1	*
28	10-157158	SCREW WITH LOCKWASHER (Dist. Hsg. to mag. hsg.)					5	*
29	10-357094	BREAKER ASSEMBLY					1	*
30	10-14268	WASHER, Plain, Contact assembly, securing					1	*
31	10-35936-6	SCREW WITH LOCKWASHER, Contact ass'y., securing					2	*
32	10-51676	CAPACITOR					1	*
33	10-102090	SPRING, Ground terminal					1	*
34	2-194	WASHER, Lock, gr'd terminal screw, not ill.					1	*
35	10-16476	SCREW, Fill, hd., ground terminal, not ill.					1	
36	10-52939Y	COVER, Breaker					1	*
37	10-9354	SCREEN, Ventilator (breaker cover)					1	*
38	10-116197	RETAINER, Ventilator screen					1	*
39	10-32438	WASHER, Ventilator shield					1	
40	10-9967	SHIELD, Ventilator, breaker cover					1	
41	10-157161	SCREW WITH LOCKWASHER, 0.438 in. long, breaker cover					1	
42	10-25788	BEARING, Sleeve, drive shaft					4	*
43	10-27448	OIL SEAL, Drive shaft					1	*
44	10-51678	DEFLECTOR, Oil, drive shaft					1	*
45	10-4093	WASHER, Plain, drive shaft end					1	* S6LN-20
46	10-163151	NUT, Drive shaft					1	* S6LN-20
47	10-56513	PIN, Stop, impulse coupling					2	* S6RN, -S6LN-21

AVCO LYCOMING AIRCRAFT ENGINE GROUP ASSEMBLY PARTS LIST

BENDIX SCINTILLA MAGNETOS S6LN-20, S6LN-21, S6RN-21
 BENDIX SCINTILLA P/N'S 10-51365-33, 10-51365-32, 10-51365-34
 AVCO LYCOMING P/N'S 71436, 71434, 71435

REF. NO.	PART NUMBER	DESCRIPTION					QTY. PER ENG.	MODEL USAGE
		1	2	3	4	5		
48	10-89137						1	S6RN-21
	10-70370						1	S6LN-21
49	10-59439						1	S6RN-21
	10-59472						1	S6LN-21
50	10-51324						1	S6RN, -S6LN-21
51	10-76232						1	* S6RN-21
	10-70371						1	* S6LN-21
52	10-52307						1	S6RN, -S6LN-21
53	10-3793						1	
54	10-51643						1	
55	10-90751-19						1	*
56	10-357012						1	
57	10-90500-5						2	*

* - Parts stocked by Avco Lycoming.

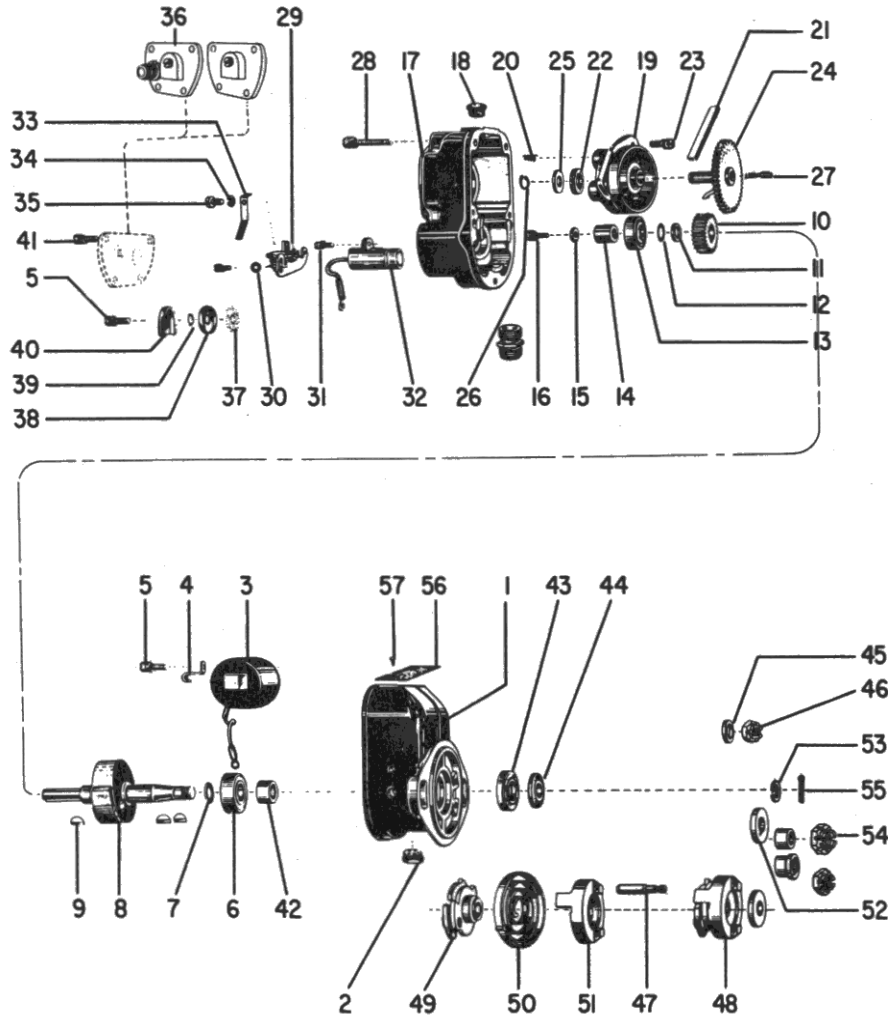


Figure 57. Exploded View of -20 Series Magneto

AVCO LYCOMING PARTS CATALOG
GO-480-B, -D AND -F6 SERIES
AIRCRAFT ENGINES

SECTION IX

SERVICE REPLACEMENT SET SECTION

AVCO LYCOMING AIRCRAFT ENGINE GROUP ASSEMBLY PARTS LIST

GO-480-B, -D AND -F6 SERIES (LOW COMPRESSION)

SECTION IX

9-1 - SEAL AND GASKET SET (69448-1)

REF. NO.	PART NUMBER	1	2	3	4	5	DESCRIPTION	QTY. PER ENG.	MODEL USAGE
1	72053						GASKET, Governor drive	1	All models
2	62224						GASKET, Magneto	3	
3	1027-C						GASKET, Generator	1	
4	1691-C						GASKET, Fuel pump	1	
5	8313						GASKET, Vacuum pump	2	
6	40507						SEAL, Thrust bearing	1	
7	72220						GASKET, Oil filler plug	2	
8	45684						GASKET, Starter	1	
9	60130						GASKET, Oil screen cover	1	
10	71973						GASKET, Intake flange upper	6	
11	60444						GASKET, Tachometer cover	1	
12	60532						GASKET, Accessory housing	1	
13	61165						SEAL, Tachometer shaft	1	
14	62922						SEAL, Shroud tube	24	
15	65099						GASKET, Oil sump	2	
16	65764						GASKET, Magneto adapter	2	
17	66224						GASKET, Carburetor	1	
18	66732						GASKET, Valve rocker shaft cover	12	
19	66928						GASKET, Breather cover	2	
20	67193						GASKET, Rocker box cover	6	
21	71481						RING, Cylinder base seal	6	
22	74822						GASKET, Reduction gear housing	1	
23	67914						GASKET, Oil retaining housing	1	
24	71189						BOX, Set-up	1	
25	74009						TUBE, Mailing	1	
26	70457						GASKET, Oil level gage	1	
27	71210						GASKET, Governor drive adapter	2	
28	69411						GASKET, Generator housing	2	
29	69421						GASKET, Tachometer adapter	1	
30	69584						GASKET, Oil filler cap	1	
31	STD-111						GASKET, Annular	3	
32	STD-208						SEAL, Oil	2	
33	STD-213						SEAL, Oil	1	
34	STD-294						GASKET, Annular	3	
35	STD-295						GASKET, Spark plug	12	
36	72075						SEAL, Oil	8	
37	STD-351						GASKET, Annular	2	
38	STD-547						SEAL, Oil	1	
39	STD-585						RING, Intake flange, lower	6	
40	STD-589						GASKET	2	
41	STD-911						SEAL, Oil	1	
42	STD-994						RING, Oil seal	1	
43	STD-1305						RING, Oil seal	1	
44	STD-1549						RING, Oil seal	1	
45	STD-1694						GASKET, Annular	1	
46	60630						LOCKPLATE, Crankshaft gear	1	
47	60644						LOCKPLATE, Starter jaw	1	
48	72078						LOCKPLATE, Camshaft gear	2	
49	65990						LOCKPLATE, Pinion cage nut	1	
50	68288						LOCKPLATE, Pinion cage nut	1	
	74203						LOCKPLATE, Pinion cage nut	1	
51	71817						LOCKPLATE, Pinion cage nut	1	

AVCO LYCOMING AIRCRAFT ENGINE GROUP ASSEMBLY PARTS LIST

GO-480-B, -D AND -F6 SERIES (LOW COMPRESSION)

SECTION IX (CONT.)

9-2 - CYLINDER, PISTON AND RING ASSEMBLY KIT (71307)

REF. NO.	PART NUMBER	DESCRIPTION					QTY. PER ENG.	MODEL USAGE
		1	2	3	4	5		
1	76552	CYLINDER ASSEMBLY (Plain Steel)					1	All models
2	69236	PISTON					1	
3	69650	PIN, Piston					1	
4	60828	PLUG, Piston pin					2	
5	68513	RING, Piston, top compression					2	
6	69457	RING, Oil regulating, expander type					1	
7	69330	RING, Piston, scraper					1	
8	73129	VALVE, Intake					1	
9	62922	SEAL, Shroud tube					4	
10	71481	SEAL, Cylinder base, oil					1	
11	68325	SEAT, Valve spring, lower					2	
12	68326	SPRING, Valve, outer					2	
13	68328	SPRING, Valve, auxiliary					2	
14	68327	SEAT, Valve spring					1	
15	69698	SEAT, Valve spring					1	
16	60009	KEY, Valve					2	
17	72050	KEY, Valve					2	
18	1102	PLUG, 1/8 pipe x 3/8 in. long - socket					1	
19	71549	WASHER, Valve rocker, thrust					2	
20	67113	ROCKER ASSEMBLY, Intake valve					1	
21	67112	ROCKER ASSEMBLY, Exhaust valve					1	
22	69697	CAP, Valve stem					1	
23	71195	BOX, Set-up					1	
24	71381	VALVE, Exhaust					1	
25	72626	SHAFT, Valve rocker					2	
26	66732	GASKET, Valve rocker shaft cover					2	
27	66731	COVER, Valve rocker shaft					2	
28	STD-160	WASHER, Material lock, 1/4 in.					4	
29	STD-9	NUT, Plain, 1/4-28					4	
30	67193	GASKET, Rocker box cover					1	
31	68795	COVER ASSEMBLY, Rocker box					1	
32	STD-1925	SCREW, Fill. hd., self-locking, 1/4-20 x 5/8 in.					8	
33	STD-1215	CAPSCREW					2	
1	76207	CYLINDER, Piston and ring assembly kit					1	All models
2	MS13997-3	KEY, Valve					2	
3	MS13998-3	CAP, Valve stem					1	
4	STD-9	NUT, Plain, 1/4-28					4	
5	STD-160	WASHER, Internal lock, 1/4 in.					4	
6	STD-1925	SCREW, Fill. hd., self-locking, 1/4-20 x 5/8 in.					8	
7	1102	PLUG, 1/8 pipe x 3/8 in. long, socket					1	
8	60009	KEY, Valve					2	
9	62922	SEAL, Shroud tube					4	
10	66731	COVER, Valve rocker shaft					2	
11	66732	GASKET, Valve rocker shaft cover					2	
12	67112	ROCKER ASSEMBLY, Exhaust valve					1	
13	67113	ROCKER ASSEMBLY, Intake valve					1	
14	67193	GASKET, Rocker box cover					1	
15	68325	SEAT, Valve spring lower, intake					1	
16	68326	SPRING, Valve, outer					2	
17	68327	SEAT, Valve spring					1	
18	68328	SPRING, Valve, auxiliary					2	
19	68795	COVER ASSEMBLY, Rocker box					1	
20	69235	RING, Piston, scraper					1	
21	69236	PISTON					1	
22	69650	PIN, Piston					1	
23	71195	BOX, Set-up					1	

AVCO LYCOMING AIRCRAFT ENGINE GROUP ASSEMBLY PARTS LIST

GO-480-B, -D AND -F6 SERIES (LOW COMPRESSION)

SECTION IX (CONT.)

9-3 - CYLINDER, PISTON, AND RING ASSEMBLY KIT (CONT.)

REF. NO.	PART NUMBER	DESCRIPTION					QTY. PER ENG.	MODEL USAGE	
		1	2	3	4	5			
24	71481	SEAL, Cylinder base, oil					1	All models	
25	71549	WASHER, Valve rocker thrust					2		
26	71556	RING, Piston, top compression					2		
27	72198	PLUG, Piston pin					2		
28	72454	RING, Piston, oil reg. expander type					1		
29	72626	SHAFT, Valve rocker					2		
30	73111	VALVE, Exhaust					1		
31	73112	SEAT, Valve spring lower, exhaust					1		
32	73115	SEAT, Valve spring					1		
33	73129	VALVE, Intake					1		
34	75928	CYLINDER, Assembly (chrome plated)					1		
35	STD-1215	CAPSCREWS					2		
1	76208	CYLINDER PISTON AND RING ASSEMBLY					1		All models
2	MS13997-3	KEY, Valve					2		
3	MS13998-3	CAP, Valve stem					1		
4	STD-9	NUT, Plain, 1/4-28					4		
5	STD-160	WASHER, Internal lock, 1/4 in.					4		
6	STD-1925	SCREW, Fill. hd., self-locking, 1/4-20 x 5/8 in.					8		
7	1102	PLUG, 1/8 pipe x 3/8 in. long, socket					1		
8	60009	KEY, Valve					2		
9	62922	SEAL, Shroud tube					4		
10	66731	COVER, Valve rocker shaft					2		
11	66732	GASKET, Valve rocker shaft cover					2		
12	67112	ROCKER ASSEMBLY, Exhaust valve					1		
13	67113	ROCKER ASSEMBLY, Intake valve					1		
14	67193	GASKET, Rocker box cover					1		
15	68325	SEAT, Valve spring lower, intake					1		
16	68326	SPRING, Valve outer					2		
17	68327	SEAT, Valve spring					1		
18	68328	SPRING, Valve auxiliary					2		
19	68795	COVER ASSEMBLY, Rocker box					1		
20	69235	RING, Piston, oil screen					1		
21	69650	PIN, Piston					1		
22	71195	BOX, Set-up					1		
23	71481	SEAL, Cylinder base oil					1		
24	71549	WASHER, Valve rocker thrust					2		
25	72198	PLUG, Piston pin					2		
26	72626	SHAFT, Valve rocker					2		
27	73111	VALVE, Exhaust					1		
28	73112	SEAT, Valve spring lower, exhaust					1		
29	73115	SEAT, Valve spring					1		
30	73129	VALVE, Intake					1		
31	73976-S	PISTON (Cold forged)					1		
32	73998	RING, Piston, oil reg. expander type					1		
33	74673	RING, Piston, top compression					3		
34	75928	CYLINDER ASSEMBLY (chrome plated)					1		
35	STD-1215	CAPSCREWS					2		
1	76209	CYLINDER, Piston and ring assembly kit					1	All models	
2	MS13997-3	KEY, Valve					2		
3	MS13998-3	CAP, Valve stem					1		
4	STD-9	NUT, Plain, 1/4-28					4		
5	STD-160	WASHER, Internal lock, 1/4 in.					4		
6	STD-1925	SCREW, Fill. hd., self-locking, 1/4-20 x 5/8 in.					8		
7	1102	PLUG, 1/8 pipe x 3/8 in. long, socket					1		
8	60009	KEY, Valve					2		
9	62922	SEAL, Shroud tube					4		

AVCO LYCOMING AIRCRAFT ENGINE GROUP ASSEMBLY PARTS LIST

GO-480-B, -D AND -F6 SERIES (LOW COMPRESSION)
SECTION IX (CONT.)
9-4 - CYLINDER, PISTON, AND RING ASSEMBLY KIT (CONT.)

REF. NO.	PART NUMBER	DESCRIPTION					QTY. PER ENG.	MODEL USAGE	
		1	2	3	4	5			
10	66731						2	All models	
11	66732						2		
12	67112						1		
13	67113						1		
14	67193						1		
15	68325						1		
16	68326						2		
17	68327						1		
18	68328						2		
19	68795						1		
20	69650						1		
21	71195						1		
22	71481						1		
23	71549						2		
24	72198						2		
25	72626						2		
26	73111						1		
27	73112						1		
28	73115						1		
29	73129						1		
30	78762-S						1		
31	73857						1		
32	74241						3		
33	75929						1		
34	STD-1215						2		
1	77105						1		All models
2	MS13997-3						2		
3	MS13998-3						1		
4	STD-9						4		
5	STD-160						4		
6	STD-1925						8		
7	1102						1		
8	60009						2		
9	62922						4		
10	66731						2		
11	66732						2		
12	67112						1		
13	67113						1		
14	67193						1		
15	68325						1		
16	68326						2		
17	68327						1		
18	68328						2		
19	68795						1		
20	69650						1		
21	71195						1		
22	71481						1		
23	71549						2		
24	72198						2		
25	72626						2		
26	73111						1		
27	73112						1		
28	73115						1		
29	73129						1		
30	78762-S						1		
31	73998						1		
32	74673						2		

AVCO LYCOMING AIRCRAFT ENGINE GROUP ASSEMBLY PARTS LIST

GO-480-B, -D AND -F6 SERIES (LOW COMPRESSION)

SECTION IX (CONT.)

9-5 - CYLINDER, PISTON, AND RING ASSEMBLY KIT (CONT.)

REF. NO.	PART NUMBER	DESCRIPTION					QTY. PER ENG.	MODEL USAGE
		1	2	3	4	5		
33	75928	CYLINDER ASSEMBLY (Chrome Plated)					1	All models
34	STD-1215	CAPSCREWS					2	