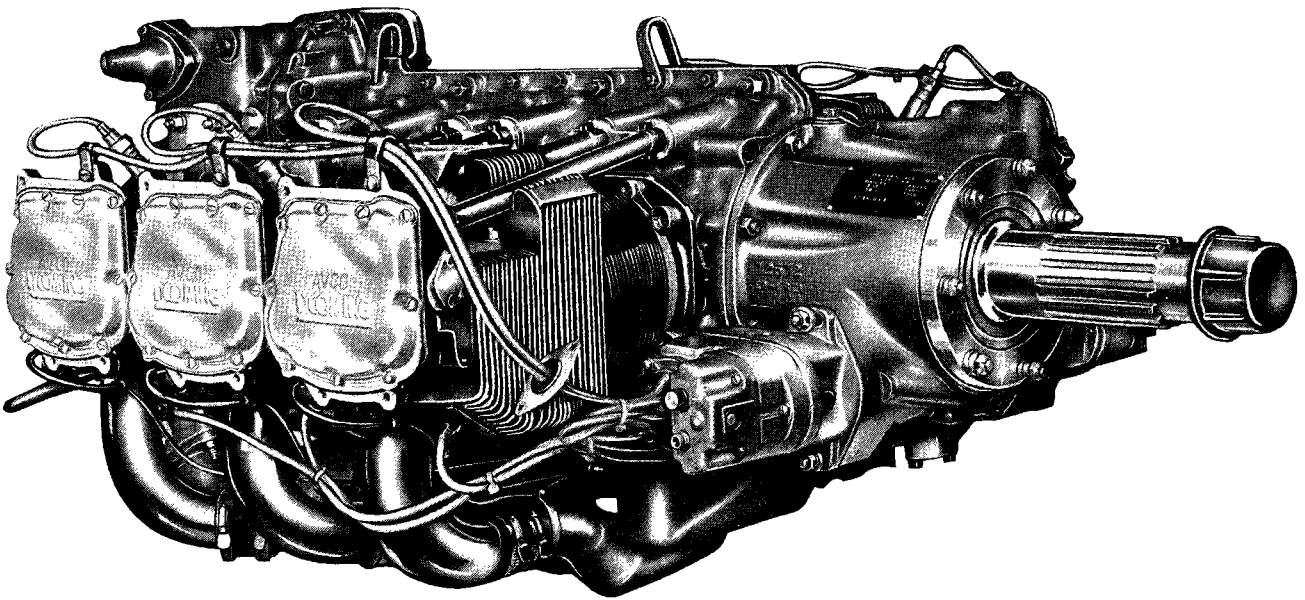


AVCO LYCOMING

PARTS CATALOG



IGO-540 and IGSO-540 SERIES

AIRCRAFT ENGINES

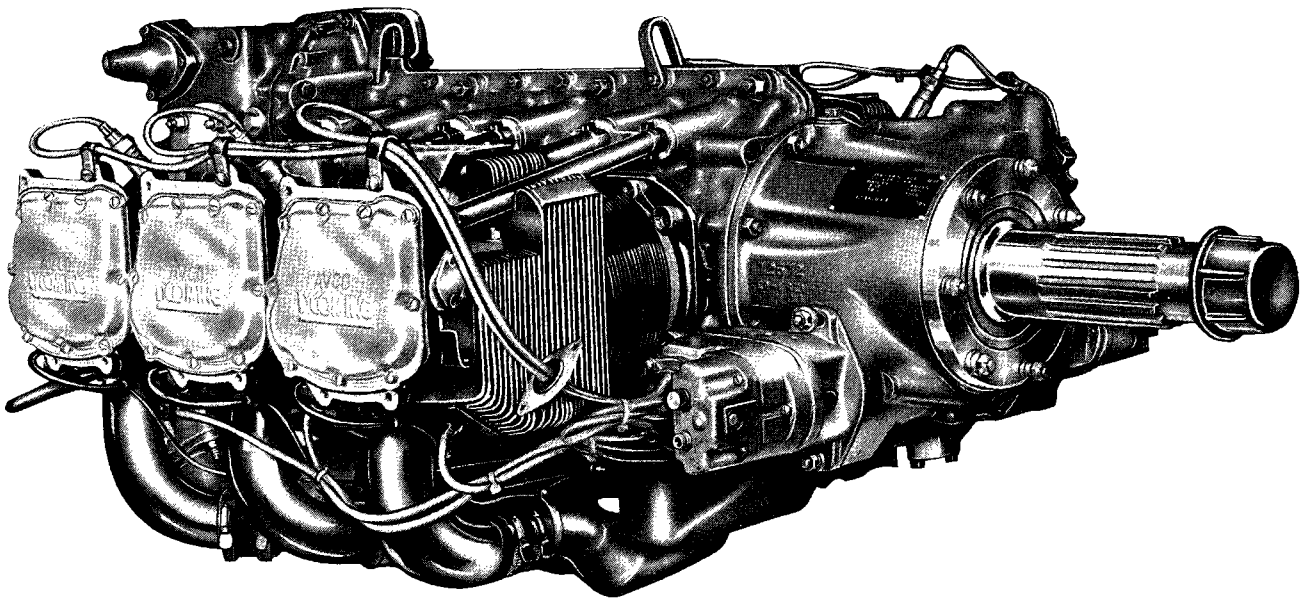
AVCO LYCOMING WILLIAMSPORT DIVISION
AVCO CORPORATION
WILLIAMSPORT, PENNSYLVANIA 17701

PC-116

June 1981

AVCO LYCOMING

PARTS CATALOG



IGO-540 and IGSO-540 SERIES

AIRCRAFT ENGINES

AVCO LYCOMING WILLIAMSPORT DIVISION
AVCO CORPORATION
WILLIAMSPORT, PENNSYLVANIA 17701

PC-116

June 1981

INTRODUCTION

This illustrated Parts Catalog provides parts coverage for all current models of IGO-540 and IGSO-540 series engines. The serial number as well as the model designation may be found on the engine nameplate on the reduction gear housing assembly.

Group Assembly Section: This section lists major assemblies and sub-assemblies in the general order of engine build-up.

Service Kit Section: Seal and gasket sets and cylinder, piston and ring kits are provided in this section.

Supersedure Section: This section lists a history of part numbers that have been superseded and gives a brief description of the change involved.

Numerical Index: Quick determination of part location in the catalog is possible thru this section when only the part number is known.

Oversize and Undersize Parts: Procurable oversize and undersize parts are listed preceding the main group assembly parts list.

Vendor Accessories: Parts coverage of Vendor Accessories used on Avco Lycoming engines may be found in the appropriate Vendor's Parts Catalog. A list of the publications appear in the latest edition of Avco Lycoming Service Letter No. L114.

SERVICE BULLETINS, INSTRUCTIONS AND LETTERS

Although the information in this catalog is up-to-date at the time of publication, users are urged to keep abreast of later information through Avco Lycoming Service Bulletins, Instructions and Letters which are available from all Avco Lycoming distributors or from the factory by subscription. Consult the latest edition of Service Letter No. L114 for subscription information.

NOTE

The illustrations, pictures and drawings shown in this publication are typical of the subject matter they portray; in no instance are they to be interpreted as examples of any specific engine, equipment or part thereof.

IGO-540, IGSO-540 SERIES

TABLE OF CONTENTS

SECTION	PAGE
Introduction	i
Table of Contents	ii
Oversize and Undersize Parts Listing	iv
1. Crankcase, Crankshaft and Camshaft Group	
Crankcase Assembly	1-1
Crankshaft, Camshaft and Related Parts	1-3
Crankcase Related Parts	1-5
Crankcase Attaching Parts	1-6
2. Reduction Gear Housing and Related Parts	
Reduction Gear Housing Assembly	2-1
Governor Drive	2-3
Propeller Shaft and Stationary Gear Assembly	2-5
Magneto Drives	2-7
Drain Tube Assembly	2-9
3. Accessory Housing and Related Parts	
Accessory Housing Assembly	3-1
Accessory Housing Assembly	3-3
Starter, Generator, Vacuum Pump, Hydraulic Pump and Fuel Pump Covers	3-5
Supercharger Drives and Related Parts	3-7
Starter Drive, Breather Tube and Related Parts	3-9
Vacuum Pump, Tachometer and Starter Drive	3-11
Tachometer and Fuel Drives	3-13
Oil Pressure and Scavenge Pump	3-14
Oil Pressure and Oil Scavenge Pump	3-15
4. Cylinder, Piston and Valve Train	
Cylinder Assembly	4-1
Cylinder Related Parts	4-3
Connecting Rod, Pistons and Ring Assemblies	4-5
Valve Assembly	4-6
Cylinder Head Drain Tubes and Intercylinder Cooling Baffles	4-7
5. Ignition System	
Magnetos	5-1
Ignition Harness and Lead Assemblies (Co-Op)	5-2
Ignition Harness and Lead Assemblies (Scintilla)	5-3
Ignition Harness and Lead Assemblies (High Tension)	5-5
Ignition Harness and Lead Assemblies	5-7
Spark Plugs	5-8
6. Supercharger System	
Supercharger and Impeller Assembly	6-1
Air Inlet Housing Assemblies	6-3

IGO-540. IGSO-540 SERIES

TABLE OF CONTENTS (Cont.)

SECTION	PAGE
7. Oil Sump and Induction System	
Intake Pipe Assembly	7-1
Oil Sump Assembly and Oil Scavenge Screen	7-3
Fuel Injector and Fuel Manifold Assembly (IGO-540-A1A, -A1C)	7-5
Fuel Injector and Fuel Manifold Assembly (IGO-540-B1A, -B1C)	7-7
Fuel Injector and Modulator Assembly (IGSO-540-A)	7-9
Fuel Injector Oil Filter and Pump Assembly (IGSO-540-B)	7-11
8. Service Kit Section	8-1
9. Supersedure Section	9-1
10. Numerical Index	10-1

IGO, IGSO-540 SERIES
Oversize and Undersize Parts Listing

PART NO.	DESCRIPTION	OVERSIZE											UNDERSIZE			
		P02	P05	P10	P11	P15	P20	P22	P30	P33	P75	P125	M3	M6	M10	
LW-10647	DOWEL		X	X												
LW-11021	BEARING												X	X	X	
LW-11179-A	SHAFT				X			X		X						
LW-11179-B	SHAFT				X			X		X						
LW-11179-C	SHAFT				X			X		X						
LW-11181	CAGE ASSY.				X											
STD-1392	PLUG			X												
65366	BEARING THRUST						X									
65519-S	BUSHING		X													
65985	ROLLER PINION				X			X		X						
66145	DOWEL			X			X									
66610	BUSHING		X	X												
66670	BUSHING		X	X												
67722	RING		X	X												
69260	INSERT			X												
71894	SEAT			X			X		X							
71895	SEAT			X			X		X							
72212	SEAT			X			X		X							
72536	BUSHING			X												
72761	BEARING	X														
73293	BUSHING								X							
73810	BUSHING		X	X		X					X	X				
73857	RING			X			X									
74241	RING			X												
75302	DOWEL			X												
71903	BUSHING, Counterweight															

SEE LATEST EDITION OF SERVICE INSTRUCTION NO. 1143 FOR APPLICATION.

Studs available in P03, P07 and P12.

NOTE

When ordering oversize and undersize parts, be sure to specify the required oversize and undersize dimension along with the proper part number. For example: to order bushing 66610 in 0.010 in. oversize, order P/N 66610, P10. To order P/N LW-11021 Bearing in 0.006 undersize, under P/N LW-11021, M6. Oversize code letter is "P" while undersize code letter is "M".

AVCO LYCOMING IGO and IGSO-540 PARTS CATALOG

CRANKCASE, CRANKSHAFT AND CAMSHAFT GROUP CRANKCASE ASSEMBLY

FIG. REF.	PART NUMBER	DESCRIPTION	ON ALL	QUANTITY PER ASSEMBLY																																																																																																																																																																																																																																																																																																																																																																																																																																																																																																																																										
				IGO-540								IGSO-540																																																																																																																																																																																																																																																																																																																																																																																																																																																																																																																																		
				A	B	C						A	B	C	D	E	F	G																																																																																																																																																																																																																																																																																																																																																																																																																																																																																																																												
1	LW-11041	CRANKCASE ASSEMBLY					1	1										LW-11042	CRANKCASE ASSEMBLY				1	1											LW-11043	CRANKCASE ASSEMBLY													1	1		LW-11044	CRANKCASE ASSEMBLY								1	1	1	1	1			2	75302	DOWEL, Crankcase thru stud	8														3	STD-557	DOWEL, 1/2 dia. x 11/16 long,hollow	2														4	69679	STUD, 9/16-18 x 10-21/32 long	4														5	66734	STUD, 1/2-13 x 9-7/8 long	4														6	31-13	STUD, 5/16-18 x 1-5/8 long	6														7	50-15	STUD, 1/2-13 x 1-7/8 long	12														8	38-13	STUD, 3/8-16 x 1-5/8 long	24														9	38D-19	STUD, 3/8-16 x 2-3/8 long,drilled				1	1	1	1								10	74957	STUD, 3/8-16 x 2-3/4 long								2	2	2	2	2	2	2	11	38-16	STUD, 3/8-16 x 2.00 long				2	2	3	3			2	2	2	2	2	12	75000	STUD, 3/8-16 x 2-19/64 long				4	4					4	4	4	4	4	13	38-17	STUD, 3/8-16 x 2-1/8 long															14	38-19	STUD, 3/8-16 x 2-3/8 long				2	2	2	2								15	38D-19	STUD, 3/8-16 x 2-3/8 long,drilled										1	1	1	1	1	16	25-11	STUD, 1/4-20 x 1-3/8 long				4	4	4	4								17	25-10	STUD, 1/4-20 x 1-1/4 long				1	1	1	1								18	25-19	STUD, 1/4-20 x 2-3/8 long										1	1	1	1	1	19	25-20	STUD, 1/4-20 x 2-1/2 long										4	4	4	4	4	20	25-22	STUD, 1/4-20 x 2-3/4 long										2	2	2	2	2	21	STD-1315	INSERT, 1/4-28 Heli-coil,1/2 long	17														22	STD-1623	INSERT, 1/4-20 Heli-coil,3/8 long	1														23	LW-10647	DOWEL, Crankshaft bearing	8														24	69861	DOWEL, Oil transfer	1														25	65007	RETAINER, Shroud tube seal	12														26	69580	DOWEL, 5/16 dia.x 5/8 long	2														27	1102	PLUG, 1/8 pipe x 3/8 long,Allen				1	1	4	4			4	4	4	4	4	28	STD-783	PLUG, 1/4 pipe,Allen	1													
	LW-11042	CRANKCASE ASSEMBLY				1	1											LW-11043	CRANKCASE ASSEMBLY													1	1		LW-11044	CRANKCASE ASSEMBLY								1	1	1	1	1			2	75302	DOWEL, Crankcase thru stud	8														3	STD-557	DOWEL, 1/2 dia. x 11/16 long,hollow	2														4	69679	STUD, 9/16-18 x 10-21/32 long	4														5	66734	STUD, 1/2-13 x 9-7/8 long	4														6	31-13	STUD, 5/16-18 x 1-5/8 long	6														7	50-15	STUD, 1/2-13 x 1-7/8 long	12														8	38-13	STUD, 3/8-16 x 1-5/8 long	24														9	38D-19	STUD, 3/8-16 x 2-3/8 long,drilled				1	1	1	1								10	74957	STUD, 3/8-16 x 2-3/4 long								2	2	2	2	2	2	2	11	38-16	STUD, 3/8-16 x 2.00 long				2	2	3	3			2	2	2	2	2	12	75000	STUD, 3/8-16 x 2-19/64 long				4	4					4	4	4	4	4	13	38-17	STUD, 3/8-16 x 2-1/8 long															14	38-19	STUD, 3/8-16 x 2-3/8 long				2	2	2	2								15	38D-19	STUD, 3/8-16 x 2-3/8 long,drilled										1	1	1	1	1	16	25-11	STUD, 1/4-20 x 1-3/8 long				4	4	4	4								17	25-10	STUD, 1/4-20 x 1-1/4 long				1	1	1	1								18	25-19	STUD, 1/4-20 x 2-3/8 long										1	1	1	1	1	19	25-20	STUD, 1/4-20 x 2-1/2 long										4	4	4	4	4	20	25-22	STUD, 1/4-20 x 2-3/4 long										2	2	2	2	2	21	STD-1315	INSERT, 1/4-28 Heli-coil,1/2 long	17														22	STD-1623	INSERT, 1/4-20 Heli-coil,3/8 long	1														23	LW-10647	DOWEL, Crankshaft bearing	8														24	69861	DOWEL, Oil transfer	1														25	65007	RETAINER, Shroud tube seal	12														26	69580	DOWEL, 5/16 dia.x 5/8 long	2														27	1102	PLUG, 1/8 pipe x 3/8 long,Allen				1	1	4	4			4	4	4	4	4	28	STD-783	PLUG, 1/4 pipe,Allen	1																														
	LW-11043	CRANKCASE ASSEMBLY													1	1		LW-11044	CRANKCASE ASSEMBLY								1	1	1	1	1			2	75302	DOWEL, Crankcase thru stud	8														3	STD-557	DOWEL, 1/2 dia. x 11/16 long,hollow	2														4	69679	STUD, 9/16-18 x 10-21/32 long	4														5	66734	STUD, 1/2-13 x 9-7/8 long	4														6	31-13	STUD, 5/16-18 x 1-5/8 long	6														7	50-15	STUD, 1/2-13 x 1-7/8 long	12														8	38-13	STUD, 3/8-16 x 1-5/8 long	24														9	38D-19	STUD, 3/8-16 x 2-3/8 long,drilled				1	1	1	1								10	74957	STUD, 3/8-16 x 2-3/4 long								2	2	2	2	2	2	2	11	38-16	STUD, 3/8-16 x 2.00 long				2	2	3	3			2	2	2	2	2	12	75000	STUD, 3/8-16 x 2-19/64 long				4	4					4	4	4	4	4	13	38-17	STUD, 3/8-16 x 2-1/8 long															14	38-19	STUD, 3/8-16 x 2-3/8 long				2	2	2	2								15	38D-19	STUD, 3/8-16 x 2-3/8 long,drilled										1	1	1	1	1	16	25-11	STUD, 1/4-20 x 1-3/8 long				4	4	4	4								17	25-10	STUD, 1/4-20 x 1-1/4 long				1	1	1	1								18	25-19	STUD, 1/4-20 x 2-3/8 long										1	1	1	1	1	19	25-20	STUD, 1/4-20 x 2-1/2 long										4	4	4	4	4	20	25-22	STUD, 1/4-20 x 2-3/4 long										2	2	2	2	2	21	STD-1315	INSERT, 1/4-28 Heli-coil,1/2 long	17														22	STD-1623	INSERT, 1/4-20 Heli-coil,3/8 long	1														23	LW-10647	DOWEL, Crankshaft bearing	8														24	69861	DOWEL, Oil transfer	1														25	65007	RETAINER, Shroud tube seal	12														26	69580	DOWEL, 5/16 dia.x 5/8 long	2														27	1102	PLUG, 1/8 pipe x 3/8 long,Allen				1	1	4	4			4	4	4	4	4	28	STD-783	PLUG, 1/4 pipe,Allen	1																																															
	LW-11044	CRANKCASE ASSEMBLY								1	1	1	1	1			2	75302	DOWEL, Crankcase thru stud	8														3	STD-557	DOWEL, 1/2 dia. x 11/16 long,hollow	2														4	69679	STUD, 9/16-18 x 10-21/32 long	4														5	66734	STUD, 1/2-13 x 9-7/8 long	4														6	31-13	STUD, 5/16-18 x 1-5/8 long	6														7	50-15	STUD, 1/2-13 x 1-7/8 long	12														8	38-13	STUD, 3/8-16 x 1-5/8 long	24														9	38D-19	STUD, 3/8-16 x 2-3/8 long,drilled				1	1	1	1								10	74957	STUD, 3/8-16 x 2-3/4 long								2	2	2	2	2	2	2	11	38-16	STUD, 3/8-16 x 2.00 long				2	2	3	3			2	2	2	2	2	12	75000	STUD, 3/8-16 x 2-19/64 long				4	4					4	4	4	4	4	13	38-17	STUD, 3/8-16 x 2-1/8 long															14	38-19	STUD, 3/8-16 x 2-3/8 long				2	2	2	2								15	38D-19	STUD, 3/8-16 x 2-3/8 long,drilled										1	1	1	1	1	16	25-11	STUD, 1/4-20 x 1-3/8 long				4	4	4	4								17	25-10	STUD, 1/4-20 x 1-1/4 long				1	1	1	1								18	25-19	STUD, 1/4-20 x 2-3/8 long										1	1	1	1	1	19	25-20	STUD, 1/4-20 x 2-1/2 long										4	4	4	4	4	20	25-22	STUD, 1/4-20 x 2-3/4 long										2	2	2	2	2	21	STD-1315	INSERT, 1/4-28 Heli-coil,1/2 long	17														22	STD-1623	INSERT, 1/4-20 Heli-coil,3/8 long	1														23	LW-10647	DOWEL, Crankshaft bearing	8														24	69861	DOWEL, Oil transfer	1														25	65007	RETAINER, Shroud tube seal	12														26	69580	DOWEL, 5/16 dia.x 5/8 long	2														27	1102	PLUG, 1/8 pipe x 3/8 long,Allen				1	1	4	4			4	4	4	4	4	28	STD-783	PLUG, 1/4 pipe,Allen	1																																																																
2	75302	DOWEL, Crankcase thru stud	8														3	STD-557	DOWEL, 1/2 dia. x 11/16 long,hollow	2														4	69679	STUD, 9/16-18 x 10-21/32 long	4														5	66734	STUD, 1/2-13 x 9-7/8 long	4														6	31-13	STUD, 5/16-18 x 1-5/8 long	6														7	50-15	STUD, 1/2-13 x 1-7/8 long	12														8	38-13	STUD, 3/8-16 x 1-5/8 long	24														9	38D-19	STUD, 3/8-16 x 2-3/8 long,drilled				1	1	1	1								10	74957	STUD, 3/8-16 x 2-3/4 long								2	2	2	2	2	2	2	11	38-16	STUD, 3/8-16 x 2.00 long				2	2	3	3			2	2	2	2	2	12	75000	STUD, 3/8-16 x 2-19/64 long				4	4					4	4	4	4	4	13	38-17	STUD, 3/8-16 x 2-1/8 long															14	38-19	STUD, 3/8-16 x 2-3/8 long				2	2	2	2								15	38D-19	STUD, 3/8-16 x 2-3/8 long,drilled										1	1	1	1	1	16	25-11	STUD, 1/4-20 x 1-3/8 long				4	4	4	4								17	25-10	STUD, 1/4-20 x 1-1/4 long				1	1	1	1								18	25-19	STUD, 1/4-20 x 2-3/8 long										1	1	1	1	1	19	25-20	STUD, 1/4-20 x 2-1/2 long										4	4	4	4	4	20	25-22	STUD, 1/4-20 x 2-3/4 long										2	2	2	2	2	21	STD-1315	INSERT, 1/4-28 Heli-coil,1/2 long	17														22	STD-1623	INSERT, 1/4-20 Heli-coil,3/8 long	1														23	LW-10647	DOWEL, Crankshaft bearing	8														24	69861	DOWEL, Oil transfer	1														25	65007	RETAINER, Shroud tube seal	12														26	69580	DOWEL, 5/16 dia.x 5/8 long	2														27	1102	PLUG, 1/8 pipe x 3/8 long,Allen				1	1	4	4			4	4	4	4	4	28	STD-783	PLUG, 1/4 pipe,Allen	1																																																																																	
3	STD-557	DOWEL, 1/2 dia. x 11/16 long,hollow	2														4	69679	STUD, 9/16-18 x 10-21/32 long	4														5	66734	STUD, 1/2-13 x 9-7/8 long	4														6	31-13	STUD, 5/16-18 x 1-5/8 long	6														7	50-15	STUD, 1/2-13 x 1-7/8 long	12														8	38-13	STUD, 3/8-16 x 1-5/8 long	24														9	38D-19	STUD, 3/8-16 x 2-3/8 long,drilled				1	1	1	1								10	74957	STUD, 3/8-16 x 2-3/4 long								2	2	2	2	2	2	2	11	38-16	STUD, 3/8-16 x 2.00 long				2	2	3	3			2	2	2	2	2	12	75000	STUD, 3/8-16 x 2-19/64 long				4	4					4	4	4	4	4	13	38-17	STUD, 3/8-16 x 2-1/8 long															14	38-19	STUD, 3/8-16 x 2-3/8 long				2	2	2	2								15	38D-19	STUD, 3/8-16 x 2-3/8 long,drilled										1	1	1	1	1	16	25-11	STUD, 1/4-20 x 1-3/8 long				4	4	4	4								17	25-10	STUD, 1/4-20 x 1-1/4 long				1	1	1	1								18	25-19	STUD, 1/4-20 x 2-3/8 long										1	1	1	1	1	19	25-20	STUD, 1/4-20 x 2-1/2 long										4	4	4	4	4	20	25-22	STUD, 1/4-20 x 2-3/4 long										2	2	2	2	2	21	STD-1315	INSERT, 1/4-28 Heli-coil,1/2 long	17														22	STD-1623	INSERT, 1/4-20 Heli-coil,3/8 long	1														23	LW-10647	DOWEL, Crankshaft bearing	8														24	69861	DOWEL, Oil transfer	1														25	65007	RETAINER, Shroud tube seal	12														26	69580	DOWEL, 5/16 dia.x 5/8 long	2														27	1102	PLUG, 1/8 pipe x 3/8 long,Allen				1	1	4	4			4	4	4	4	4	28	STD-783	PLUG, 1/4 pipe,Allen	1																																																																																																		
4	69679	STUD, 9/16-18 x 10-21/32 long	4														5	66734	STUD, 1/2-13 x 9-7/8 long	4														6	31-13	STUD, 5/16-18 x 1-5/8 long	6														7	50-15	STUD, 1/2-13 x 1-7/8 long	12														8	38-13	STUD, 3/8-16 x 1-5/8 long	24														9	38D-19	STUD, 3/8-16 x 2-3/8 long,drilled				1	1	1	1								10	74957	STUD, 3/8-16 x 2-3/4 long								2	2	2	2	2	2	2	11	38-16	STUD, 3/8-16 x 2.00 long				2	2	3	3			2	2	2	2	2	12	75000	STUD, 3/8-16 x 2-19/64 long				4	4					4	4	4	4	4	13	38-17	STUD, 3/8-16 x 2-1/8 long															14	38-19	STUD, 3/8-16 x 2-3/8 long				2	2	2	2								15	38D-19	STUD, 3/8-16 x 2-3/8 long,drilled										1	1	1	1	1	16	25-11	STUD, 1/4-20 x 1-3/8 long				4	4	4	4								17	25-10	STUD, 1/4-20 x 1-1/4 long				1	1	1	1								18	25-19	STUD, 1/4-20 x 2-3/8 long										1	1	1	1	1	19	25-20	STUD, 1/4-20 x 2-1/2 long										4	4	4	4	4	20	25-22	STUD, 1/4-20 x 2-3/4 long										2	2	2	2	2	21	STD-1315	INSERT, 1/4-28 Heli-coil,1/2 long	17														22	STD-1623	INSERT, 1/4-20 Heli-coil,3/8 long	1														23	LW-10647	DOWEL, Crankshaft bearing	8														24	69861	DOWEL, Oil transfer	1														25	65007	RETAINER, Shroud tube seal	12														26	69580	DOWEL, 5/16 dia.x 5/8 long	2														27	1102	PLUG, 1/8 pipe x 3/8 long,Allen				1	1	4	4			4	4	4	4	4	28	STD-783	PLUG, 1/4 pipe,Allen	1																																																																																																																			
5	66734	STUD, 1/2-13 x 9-7/8 long	4														6	31-13	STUD, 5/16-18 x 1-5/8 long	6														7	50-15	STUD, 1/2-13 x 1-7/8 long	12														8	38-13	STUD, 3/8-16 x 1-5/8 long	24														9	38D-19	STUD, 3/8-16 x 2-3/8 long,drilled				1	1	1	1								10	74957	STUD, 3/8-16 x 2-3/4 long								2	2	2	2	2	2	2	11	38-16	STUD, 3/8-16 x 2.00 long				2	2	3	3			2	2	2	2	2	12	75000	STUD, 3/8-16 x 2-19/64 long				4	4					4	4	4	4	4	13	38-17	STUD, 3/8-16 x 2-1/8 long															14	38-19	STUD, 3/8-16 x 2-3/8 long				2	2	2	2								15	38D-19	STUD, 3/8-16 x 2-3/8 long,drilled										1	1	1	1	1	16	25-11	STUD, 1/4-20 x 1-3/8 long				4	4	4	4								17	25-10	STUD, 1/4-20 x 1-1/4 long				1	1	1	1								18	25-19	STUD, 1/4-20 x 2-3/8 long										1	1	1	1	1	19	25-20	STUD, 1/4-20 x 2-1/2 long										4	4	4	4	4	20	25-22	STUD, 1/4-20 x 2-3/4 long										2	2	2	2	2	21	STD-1315	INSERT, 1/4-28 Heli-coil,1/2 long	17														22	STD-1623	INSERT, 1/4-20 Heli-coil,3/8 long	1														23	LW-10647	DOWEL, Crankshaft bearing	8														24	69861	DOWEL, Oil transfer	1														25	65007	RETAINER, Shroud tube seal	12														26	69580	DOWEL, 5/16 dia.x 5/8 long	2														27	1102	PLUG, 1/8 pipe x 3/8 long,Allen				1	1	4	4			4	4	4	4	4	28	STD-783	PLUG, 1/4 pipe,Allen	1																																																																																																																																				
6	31-13	STUD, 5/16-18 x 1-5/8 long	6														7	50-15	STUD, 1/2-13 x 1-7/8 long	12														8	38-13	STUD, 3/8-16 x 1-5/8 long	24														9	38D-19	STUD, 3/8-16 x 2-3/8 long,drilled				1	1	1	1								10	74957	STUD, 3/8-16 x 2-3/4 long								2	2	2	2	2	2	2	11	38-16	STUD, 3/8-16 x 2.00 long				2	2	3	3			2	2	2	2	2	12	75000	STUD, 3/8-16 x 2-19/64 long				4	4					4	4	4	4	4	13	38-17	STUD, 3/8-16 x 2-1/8 long															14	38-19	STUD, 3/8-16 x 2-3/8 long				2	2	2	2								15	38D-19	STUD, 3/8-16 x 2-3/8 long,drilled										1	1	1	1	1	16	25-11	STUD, 1/4-20 x 1-3/8 long				4	4	4	4								17	25-10	STUD, 1/4-20 x 1-1/4 long				1	1	1	1								18	25-19	STUD, 1/4-20 x 2-3/8 long										1	1	1	1	1	19	25-20	STUD, 1/4-20 x 2-1/2 long										4	4	4	4	4	20	25-22	STUD, 1/4-20 x 2-3/4 long										2	2	2	2	2	21	STD-1315	INSERT, 1/4-28 Heli-coil,1/2 long	17														22	STD-1623	INSERT, 1/4-20 Heli-coil,3/8 long	1														23	LW-10647	DOWEL, Crankshaft bearing	8														24	69861	DOWEL, Oil transfer	1														25	65007	RETAINER, Shroud tube seal	12														26	69580	DOWEL, 5/16 dia.x 5/8 long	2														27	1102	PLUG, 1/8 pipe x 3/8 long,Allen				1	1	4	4			4	4	4	4	4	28	STD-783	PLUG, 1/4 pipe,Allen	1																																																																																																																																																					
7	50-15	STUD, 1/2-13 x 1-7/8 long	12														8	38-13	STUD, 3/8-16 x 1-5/8 long	24														9	38D-19	STUD, 3/8-16 x 2-3/8 long,drilled				1	1	1	1								10	74957	STUD, 3/8-16 x 2-3/4 long								2	2	2	2	2	2	2	11	38-16	STUD, 3/8-16 x 2.00 long				2	2	3	3			2	2	2	2	2	12	75000	STUD, 3/8-16 x 2-19/64 long				4	4					4	4	4	4	4	13	38-17	STUD, 3/8-16 x 2-1/8 long															14	38-19	STUD, 3/8-16 x 2-3/8 long				2	2	2	2								15	38D-19	STUD, 3/8-16 x 2-3/8 long,drilled										1	1	1	1	1	16	25-11	STUD, 1/4-20 x 1-3/8 long				4	4	4	4								17	25-10	STUD, 1/4-20 x 1-1/4 long				1	1	1	1								18	25-19	STUD, 1/4-20 x 2-3/8 long										1	1	1	1	1	19	25-20	STUD, 1/4-20 x 2-1/2 long										4	4	4	4	4	20	25-22	STUD, 1/4-20 x 2-3/4 long										2	2	2	2	2	21	STD-1315	INSERT, 1/4-28 Heli-coil,1/2 long	17														22	STD-1623	INSERT, 1/4-20 Heli-coil,3/8 long	1														23	LW-10647	DOWEL, Crankshaft bearing	8														24	69861	DOWEL, Oil transfer	1														25	65007	RETAINER, Shroud tube seal	12														26	69580	DOWEL, 5/16 dia.x 5/8 long	2														27	1102	PLUG, 1/8 pipe x 3/8 long,Allen				1	1	4	4			4	4	4	4	4	28	STD-783	PLUG, 1/4 pipe,Allen	1																																																																																																																																																																						
8	38-13	STUD, 3/8-16 x 1-5/8 long	24														9	38D-19	STUD, 3/8-16 x 2-3/8 long,drilled				1	1	1	1								10	74957	STUD, 3/8-16 x 2-3/4 long								2	2	2	2	2	2	2	11	38-16	STUD, 3/8-16 x 2.00 long				2	2	3	3			2	2	2	2	2	12	75000	STUD, 3/8-16 x 2-19/64 long				4	4					4	4	4	4	4	13	38-17	STUD, 3/8-16 x 2-1/8 long															14	38-19	STUD, 3/8-16 x 2-3/8 long				2	2	2	2								15	38D-19	STUD, 3/8-16 x 2-3/8 long,drilled										1	1	1	1	1	16	25-11	STUD, 1/4-20 x 1-3/8 long				4	4	4	4								17	25-10	STUD, 1/4-20 x 1-1/4 long				1	1	1	1								18	25-19	STUD, 1/4-20 x 2-3/8 long										1	1	1	1	1	19	25-20	STUD, 1/4-20 x 2-1/2 long										4	4	4	4	4	20	25-22	STUD, 1/4-20 x 2-3/4 long										2	2	2	2	2	21	STD-1315	INSERT, 1/4-28 Heli-coil,1/2 long	17														22	STD-1623	INSERT, 1/4-20 Heli-coil,3/8 long	1														23	LW-10647	DOWEL, Crankshaft bearing	8														24	69861	DOWEL, Oil transfer	1														25	65007	RETAINER, Shroud tube seal	12														26	69580	DOWEL, 5/16 dia.x 5/8 long	2														27	1102	PLUG, 1/8 pipe x 3/8 long,Allen				1	1	4	4			4	4	4	4	4	28	STD-783	PLUG, 1/4 pipe,Allen	1																																																																																																																																																																																							
9	38D-19	STUD, 3/8-16 x 2-3/8 long,drilled				1	1	1	1								10	74957	STUD, 3/8-16 x 2-3/4 long								2	2	2	2	2	2	2	11	38-16	STUD, 3/8-16 x 2.00 long				2	2	3	3			2	2	2	2	2	12	75000	STUD, 3/8-16 x 2-19/64 long				4	4					4	4	4	4	4	13	38-17	STUD, 3/8-16 x 2-1/8 long															14	38-19	STUD, 3/8-16 x 2-3/8 long				2	2	2	2								15	38D-19	STUD, 3/8-16 x 2-3/8 long,drilled										1	1	1	1	1	16	25-11	STUD, 1/4-20 x 1-3/8 long				4	4	4	4								17	25-10	STUD, 1/4-20 x 1-1/4 long				1	1	1	1								18	25-19	STUD, 1/4-20 x 2-3/8 long										1	1	1	1	1	19	25-20	STUD, 1/4-20 x 2-1/2 long										4	4	4	4	4	20	25-22	STUD, 1/4-20 x 2-3/4 long										2	2	2	2	2	21	STD-1315	INSERT, 1/4-28 Heli-coil,1/2 long	17														22	STD-1623	INSERT, 1/4-20 Heli-coil,3/8 long	1														23	LW-10647	DOWEL, Crankshaft bearing	8														24	69861	DOWEL, Oil transfer	1														25	65007	RETAINER, Shroud tube seal	12														26	69580	DOWEL, 5/16 dia.x 5/8 long	2														27	1102	PLUG, 1/8 pipe x 3/8 long,Allen				1	1	4	4			4	4	4	4	4	28	STD-783	PLUG, 1/4 pipe,Allen	1																																																																																																																																																																																																								
10	74957	STUD, 3/8-16 x 2-3/4 long								2	2	2	2	2	2	2	11	38-16	STUD, 3/8-16 x 2.00 long				2	2	3	3			2	2	2	2	2	12	75000	STUD, 3/8-16 x 2-19/64 long				4	4					4	4	4	4	4	13	38-17	STUD, 3/8-16 x 2-1/8 long															14	38-19	STUD, 3/8-16 x 2-3/8 long				2	2	2	2								15	38D-19	STUD, 3/8-16 x 2-3/8 long,drilled										1	1	1	1	1	16	25-11	STUD, 1/4-20 x 1-3/8 long				4	4	4	4								17	25-10	STUD, 1/4-20 x 1-1/4 long				1	1	1	1								18	25-19	STUD, 1/4-20 x 2-3/8 long										1	1	1	1	1	19	25-20	STUD, 1/4-20 x 2-1/2 long										4	4	4	4	4	20	25-22	STUD, 1/4-20 x 2-3/4 long										2	2	2	2	2	21	STD-1315	INSERT, 1/4-28 Heli-coil,1/2 long	17														22	STD-1623	INSERT, 1/4-20 Heli-coil,3/8 long	1														23	LW-10647	DOWEL, Crankshaft bearing	8														24	69861	DOWEL, Oil transfer	1														25	65007	RETAINER, Shroud tube seal	12														26	69580	DOWEL, 5/16 dia.x 5/8 long	2														27	1102	PLUG, 1/8 pipe x 3/8 long,Allen				1	1	4	4			4	4	4	4	4	28	STD-783	PLUG, 1/4 pipe,Allen	1																																																																																																																																																																																																																									
11	38-16	STUD, 3/8-16 x 2.00 long				2	2	3	3			2	2	2	2	2	12	75000	STUD, 3/8-16 x 2-19/64 long				4	4					4	4	4	4	4	13	38-17	STUD, 3/8-16 x 2-1/8 long															14	38-19	STUD, 3/8-16 x 2-3/8 long				2	2	2	2								15	38D-19	STUD, 3/8-16 x 2-3/8 long,drilled										1	1	1	1	1	16	25-11	STUD, 1/4-20 x 1-3/8 long				4	4	4	4								17	25-10	STUD, 1/4-20 x 1-1/4 long				1	1	1	1								18	25-19	STUD, 1/4-20 x 2-3/8 long										1	1	1	1	1	19	25-20	STUD, 1/4-20 x 2-1/2 long										4	4	4	4	4	20	25-22	STUD, 1/4-20 x 2-3/4 long										2	2	2	2	2	21	STD-1315	INSERT, 1/4-28 Heli-coil,1/2 long	17														22	STD-1623	INSERT, 1/4-20 Heli-coil,3/8 long	1														23	LW-10647	DOWEL, Crankshaft bearing	8														24	69861	DOWEL, Oil transfer	1														25	65007	RETAINER, Shroud tube seal	12														26	69580	DOWEL, 5/16 dia.x 5/8 long	2														27	1102	PLUG, 1/8 pipe x 3/8 long,Allen				1	1	4	4			4	4	4	4	4	28	STD-783	PLUG, 1/4 pipe,Allen	1																																																																																																																																																																																																																																										
12	75000	STUD, 3/8-16 x 2-19/64 long				4	4					4	4	4	4	4	13	38-17	STUD, 3/8-16 x 2-1/8 long															14	38-19	STUD, 3/8-16 x 2-3/8 long				2	2	2	2								15	38D-19	STUD, 3/8-16 x 2-3/8 long,drilled										1	1	1	1	1	16	25-11	STUD, 1/4-20 x 1-3/8 long				4	4	4	4								17	25-10	STUD, 1/4-20 x 1-1/4 long				1	1	1	1								18	25-19	STUD, 1/4-20 x 2-3/8 long										1	1	1	1	1	19	25-20	STUD, 1/4-20 x 2-1/2 long										4	4	4	4	4	20	25-22	STUD, 1/4-20 x 2-3/4 long										2	2	2	2	2	21	STD-1315	INSERT, 1/4-28 Heli-coil,1/2 long	17														22	STD-1623	INSERT, 1/4-20 Heli-coil,3/8 long	1														23	LW-10647	DOWEL, Crankshaft bearing	8														24	69861	DOWEL, Oil transfer	1														25	65007	RETAINER, Shroud tube seal	12														26	69580	DOWEL, 5/16 dia.x 5/8 long	2														27	1102	PLUG, 1/8 pipe x 3/8 long,Allen				1	1	4	4			4	4	4	4	4	28	STD-783	PLUG, 1/4 pipe,Allen	1																																																																																																																																																																																																																																																											
13	38-17	STUD, 3/8-16 x 2-1/8 long															14	38-19	STUD, 3/8-16 x 2-3/8 long				2	2	2	2								15	38D-19	STUD, 3/8-16 x 2-3/8 long,drilled										1	1	1	1	1	16	25-11	STUD, 1/4-20 x 1-3/8 long				4	4	4	4								17	25-10	STUD, 1/4-20 x 1-1/4 long				1	1	1	1								18	25-19	STUD, 1/4-20 x 2-3/8 long										1	1	1	1	1	19	25-20	STUD, 1/4-20 x 2-1/2 long										4	4	4	4	4	20	25-22	STUD, 1/4-20 x 2-3/4 long										2	2	2	2	2	21	STD-1315	INSERT, 1/4-28 Heli-coil,1/2 long	17														22	STD-1623	INSERT, 1/4-20 Heli-coil,3/8 long	1														23	LW-10647	DOWEL, Crankshaft bearing	8														24	69861	DOWEL, Oil transfer	1														25	65007	RETAINER, Shroud tube seal	12														26	69580	DOWEL, 5/16 dia.x 5/8 long	2														27	1102	PLUG, 1/8 pipe x 3/8 long,Allen				1	1	4	4			4	4	4	4	4	28	STD-783	PLUG, 1/4 pipe,Allen	1																																																																																																																																																																																																																																																																												
14	38-19	STUD, 3/8-16 x 2-3/8 long				2	2	2	2								15	38D-19	STUD, 3/8-16 x 2-3/8 long,drilled										1	1	1	1	1	16	25-11	STUD, 1/4-20 x 1-3/8 long				4	4	4	4								17	25-10	STUD, 1/4-20 x 1-1/4 long				1	1	1	1								18	25-19	STUD, 1/4-20 x 2-3/8 long										1	1	1	1	1	19	25-20	STUD, 1/4-20 x 2-1/2 long										4	4	4	4	4	20	25-22	STUD, 1/4-20 x 2-3/4 long										2	2	2	2	2	21	STD-1315	INSERT, 1/4-28 Heli-coil,1/2 long	17														22	STD-1623	INSERT, 1/4-20 Heli-coil,3/8 long	1														23	LW-10647	DOWEL, Crankshaft bearing	8														24	69861	DOWEL, Oil transfer	1														25	65007	RETAINER, Shroud tube seal	12														26	69580	DOWEL, 5/16 dia.x 5/8 long	2														27	1102	PLUG, 1/8 pipe x 3/8 long,Allen				1	1	4	4			4	4	4	4	4	28	STD-783	PLUG, 1/4 pipe,Allen	1																																																																																																																																																																																																																																																																																													
15	38D-19	STUD, 3/8-16 x 2-3/8 long,drilled										1	1	1	1	1	16	25-11	STUD, 1/4-20 x 1-3/8 long				4	4	4	4								17	25-10	STUD, 1/4-20 x 1-1/4 long				1	1	1	1								18	25-19	STUD, 1/4-20 x 2-3/8 long										1	1	1	1	1	19	25-20	STUD, 1/4-20 x 2-1/2 long										4	4	4	4	4	20	25-22	STUD, 1/4-20 x 2-3/4 long										2	2	2	2	2	21	STD-1315	INSERT, 1/4-28 Heli-coil,1/2 long	17														22	STD-1623	INSERT, 1/4-20 Heli-coil,3/8 long	1														23	LW-10647	DOWEL, Crankshaft bearing	8														24	69861	DOWEL, Oil transfer	1														25	65007	RETAINER, Shroud tube seal	12														26	69580	DOWEL, 5/16 dia.x 5/8 long	2														27	1102	PLUG, 1/8 pipe x 3/8 long,Allen				1	1	4	4			4	4	4	4	4	28	STD-783	PLUG, 1/4 pipe,Allen	1																																																																																																																																																																																																																																																																																																														
16	25-11	STUD, 1/4-20 x 1-3/8 long				4	4	4	4								17	25-10	STUD, 1/4-20 x 1-1/4 long				1	1	1	1								18	25-19	STUD, 1/4-20 x 2-3/8 long										1	1	1	1	1	19	25-20	STUD, 1/4-20 x 2-1/2 long										4	4	4	4	4	20	25-22	STUD, 1/4-20 x 2-3/4 long										2	2	2	2	2	21	STD-1315	INSERT, 1/4-28 Heli-coil,1/2 long	17														22	STD-1623	INSERT, 1/4-20 Heli-coil,3/8 long	1														23	LW-10647	DOWEL, Crankshaft bearing	8														24	69861	DOWEL, Oil transfer	1														25	65007	RETAINER, Shroud tube seal	12														26	69580	DOWEL, 5/16 dia.x 5/8 long	2														27	1102	PLUG, 1/8 pipe x 3/8 long,Allen				1	1	4	4			4	4	4	4	4	28	STD-783	PLUG, 1/4 pipe,Allen	1																																																																																																																																																																																																																																																																																																																															
17	25-10	STUD, 1/4-20 x 1-1/4 long				1	1	1	1								18	25-19	STUD, 1/4-20 x 2-3/8 long										1	1	1	1	1	19	25-20	STUD, 1/4-20 x 2-1/2 long										4	4	4	4	4	20	25-22	STUD, 1/4-20 x 2-3/4 long										2	2	2	2	2	21	STD-1315	INSERT, 1/4-28 Heli-coil,1/2 long	17														22	STD-1623	INSERT, 1/4-20 Heli-coil,3/8 long	1														23	LW-10647	DOWEL, Crankshaft bearing	8														24	69861	DOWEL, Oil transfer	1														25	65007	RETAINER, Shroud tube seal	12														26	69580	DOWEL, 5/16 dia.x 5/8 long	2														27	1102	PLUG, 1/8 pipe x 3/8 long,Allen				1	1	4	4			4	4	4	4	4	28	STD-783	PLUG, 1/4 pipe,Allen	1																																																																																																																																																																																																																																																																																																																																																
18	25-19	STUD, 1/4-20 x 2-3/8 long										1	1	1	1	1	19	25-20	STUD, 1/4-20 x 2-1/2 long										4	4	4	4	4	20	25-22	STUD, 1/4-20 x 2-3/4 long										2	2	2	2	2	21	STD-1315	INSERT, 1/4-28 Heli-coil,1/2 long	17														22	STD-1623	INSERT, 1/4-20 Heli-coil,3/8 long	1														23	LW-10647	DOWEL, Crankshaft bearing	8														24	69861	DOWEL, Oil transfer	1														25	65007	RETAINER, Shroud tube seal	12														26	69580	DOWEL, 5/16 dia.x 5/8 long	2														27	1102	PLUG, 1/8 pipe x 3/8 long,Allen				1	1	4	4			4	4	4	4	4	28	STD-783	PLUG, 1/4 pipe,Allen	1																																																																																																																																																																																																																																																																																																																																																																	
19	25-20	STUD, 1/4-20 x 2-1/2 long										4	4	4	4	4	20	25-22	STUD, 1/4-20 x 2-3/4 long										2	2	2	2	2	21	STD-1315	INSERT, 1/4-28 Heli-coil,1/2 long	17														22	STD-1623	INSERT, 1/4-20 Heli-coil,3/8 long	1														23	LW-10647	DOWEL, Crankshaft bearing	8														24	69861	DOWEL, Oil transfer	1														25	65007	RETAINER, Shroud tube seal	12														26	69580	DOWEL, 5/16 dia.x 5/8 long	2														27	1102	PLUG, 1/8 pipe x 3/8 long,Allen				1	1	4	4			4	4	4	4	4	28	STD-783	PLUG, 1/4 pipe,Allen	1																																																																																																																																																																																																																																																																																																																																																																																		
20	25-22	STUD, 1/4-20 x 2-3/4 long										2	2	2	2	2	21	STD-1315	INSERT, 1/4-28 Heli-coil,1/2 long	17														22	STD-1623	INSERT, 1/4-20 Heli-coil,3/8 long	1														23	LW-10647	DOWEL, Crankshaft bearing	8														24	69861	DOWEL, Oil transfer	1														25	65007	RETAINER, Shroud tube seal	12														26	69580	DOWEL, 5/16 dia.x 5/8 long	2														27	1102	PLUG, 1/8 pipe x 3/8 long,Allen				1	1	4	4			4	4	4	4	4	28	STD-783	PLUG, 1/4 pipe,Allen	1																																																																																																																																																																																																																																																																																																																																																																																																			
21	STD-1315	INSERT, 1/4-28 Heli-coil,1/2 long	17														22	STD-1623	INSERT, 1/4-20 Heli-coil,3/8 long	1														23	LW-10647	DOWEL, Crankshaft bearing	8														24	69861	DOWEL, Oil transfer	1														25	65007	RETAINER, Shroud tube seal	12														26	69580	DOWEL, 5/16 dia.x 5/8 long	2														27	1102	PLUG, 1/8 pipe x 3/8 long,Allen				1	1	4	4			4	4	4	4	4	28	STD-783	PLUG, 1/4 pipe,Allen	1																																																																																																																																																																																																																																																																																																																																																																																																																				
22	STD-1623	INSERT, 1/4-20 Heli-coil,3/8 long	1														23	LW-10647	DOWEL, Crankshaft bearing	8														24	69861	DOWEL, Oil transfer	1														25	65007	RETAINER, Shroud tube seal	12														26	69580	DOWEL, 5/16 dia.x 5/8 long	2														27	1102	PLUG, 1/8 pipe x 3/8 long,Allen				1	1	4	4			4	4	4	4	4	28	STD-783	PLUG, 1/4 pipe,Allen	1																																																																																																																																																																																																																																																																																																																																																																																																																																					
23	LW-10647	DOWEL, Crankshaft bearing	8														24	69861	DOWEL, Oil transfer	1														25	65007	RETAINER, Shroud tube seal	12														26	69580	DOWEL, 5/16 dia.x 5/8 long	2														27	1102	PLUG, 1/8 pipe x 3/8 long,Allen				1	1	4	4			4	4	4	4	4	28	STD-783	PLUG, 1/4 pipe,Allen	1																																																																																																																																																																																																																																																																																																																																																																																																																																																						
24	69861	DOWEL, Oil transfer	1														25	65007	RETAINER, Shroud tube seal	12														26	69580	DOWEL, 5/16 dia.x 5/8 long	2														27	1102	PLUG, 1/8 pipe x 3/8 long,Allen				1	1	4	4			4	4	4	4	4	28	STD-783	PLUG, 1/4 pipe,Allen	1																																																																																																																																																																																																																																																																																																																																																																																																																																																																							
25	65007	RETAINER, Shroud tube seal	12														26	69580	DOWEL, 5/16 dia.x 5/8 long	2														27	1102	PLUG, 1/8 pipe x 3/8 long,Allen				1	1	4	4			4	4	4	4	4	28	STD-783	PLUG, 1/4 pipe,Allen	1																																																																																																																																																																																																																																																																																																																																																																																																																																																																																								
26	69580	DOWEL, 5/16 dia.x 5/8 long	2														27	1102	PLUG, 1/8 pipe x 3/8 long,Allen				1	1	4	4			4	4	4	4	4	28	STD-783	PLUG, 1/4 pipe,Allen	1																																																																																																																																																																																																																																																																																																																																																																																																																																																																																																									
27	1102	PLUG, 1/8 pipe x 3/8 long,Allen				1	1	4	4			4	4	4	4	4	28	STD-783	PLUG, 1/4 pipe,Allen	1																																																																																																																																																																																																																																																																																																																																																																																																																																																																																																																										
28	STD-783	PLUG, 1/4 pipe,Allen	1																																																																																																																																																																																																																																																																																																																																																																																																																																																																																																																																											

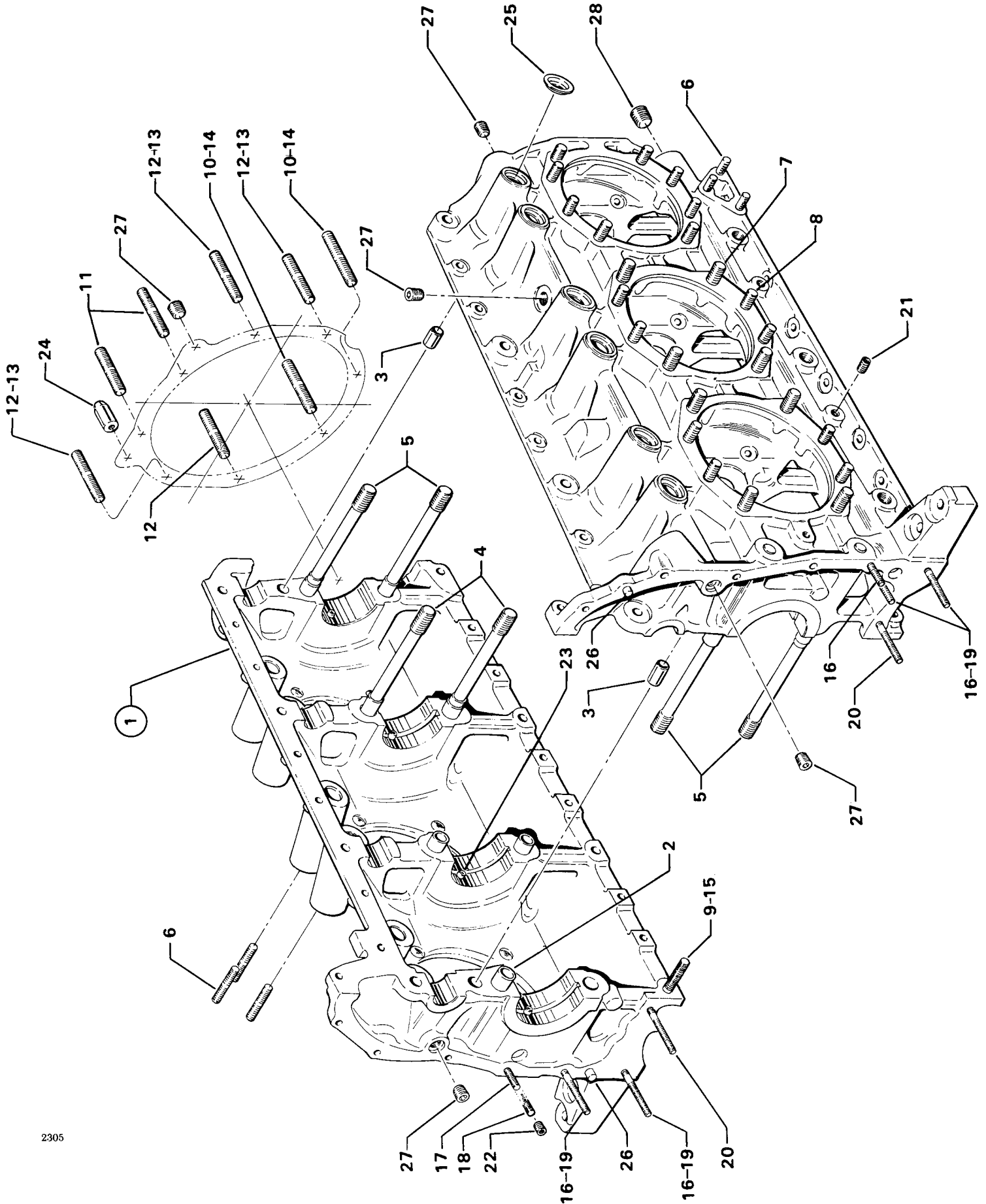
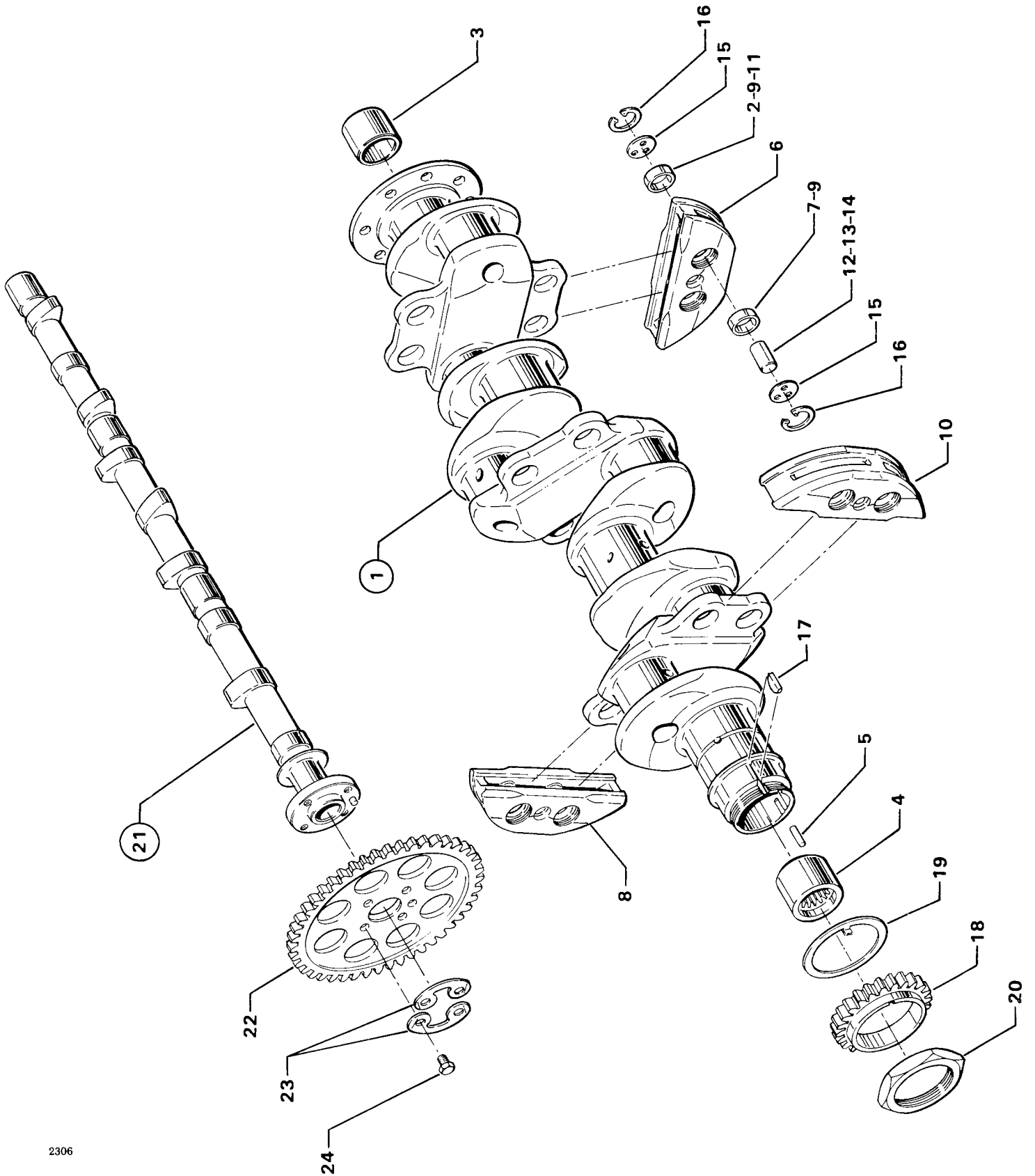


Figure 1 - Crankcase Assembly

AVCO LYCOMING IGO and IGSO-540 PARTS CATALOG

CRANKCASE, CRANKSHAFT AND CAMSHAFT GROUP CRANKSHAFT, CAMSHAFT AND RELATED PARTS

FIG. REF.	PART NUMBER	DESCRIPTION	ON ALL	QUANTITY PER ASSEMBLY																		
				IGO-540				IGSO-540														
				A1A	A1C	B1A	B1C	A1A	A1C	A1D	A1E	B1A	B1C									
2	74982	CRANKSHAFT AND COUNTERWEIGHT ASSEMBLY				1	1	1	1													
	74980	CRANKSHAFT AND COUNTERWEIGHT ASSEMBLY										1	1	1	1	1	1	1				
1	74981	CRANKSHAFT ASSEMBLY				1	1	1	1													
	74979	CRANKSHAFT ASSEMBLY										1	1	1	1	1	1	1				
2	73810	BUSHING, Crankshaft dynamic counterweight	12																			
3	65519	BUSHING, Crankshaft,front	1																			
4	72536	BUSHING, Rear crankshaft spline	1																			
5	69641	DOWEL, Rear crankshaft spline bushing	3																			
6	72534	COUNTERWEIGHT ASSY., Dynamic	4																			
7	71903	BUSHING, Dynamic counterweight	16																			
8	71904	COUNTERWEIGHT ASSY., Dynamic	1																			
9	71903	BUSHING, Dynamic counterweight	4																			
10	71905	COUNTERWEIGHT ASSY., Dynamic light	1																			
11	71903	BUSHING, Dynamic counterweight	4																			
12	73287	ROLLER, Dynamic counterweight,3.1 order				10	10	10	10													
13	69433	ROLLER, Dynamic counterweight,3rd order										10	10	10	10	10	10	10				
14	70416	ROLLER, Dynamic counterweight,6th order	2																			
15	71907	WASHER, Dynamic counterweight	24																			
16	LW-14820	RING, Internal retaining	24																			
17	STD-858	KEY, 5/32 x 5/8 dia.Woodruff	1																			
18	67687	GEAR, Crankshaft timing	1																			
19	67204	PLATE, Crankshaft gear lock	1																			
20	67688	NUT, Crankshaft gear retaining	1																			
21	71304	CAMSHAFT ASSY.				1	1	1														
	77202	CAMSHAFT ASSY.					1	1				1	1	1	1	1	1	1				
22	69662	GEAR, Camshaft	1																			
23	72078	LOCKPLATE, 5/16 bolt x 1-21/64 spacing	2																			
24	STD-679	SCREW, 5/16-24 x 13/32 long	4																			



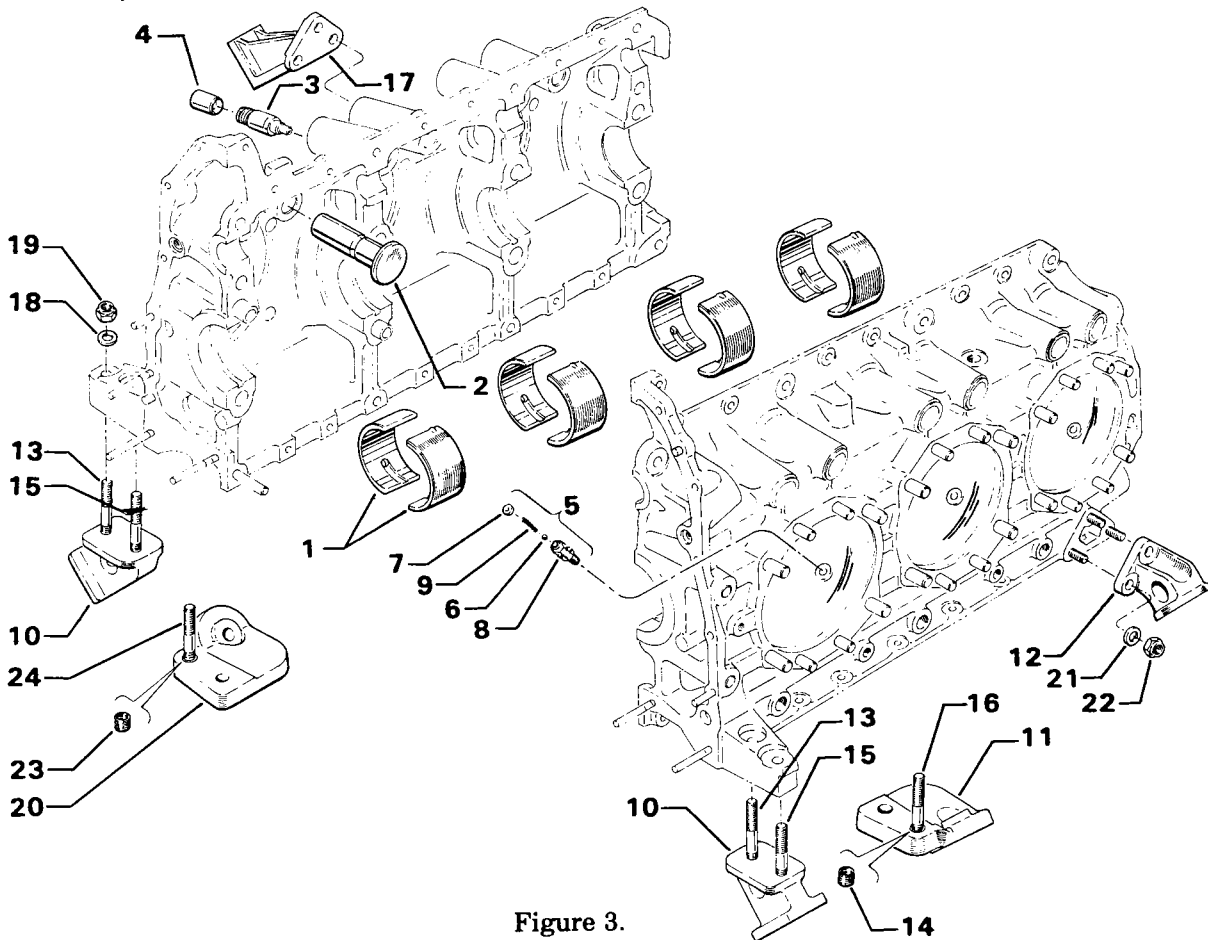
2306

Figure 2 - Crankshaft, Camshaft and Related Parts

AVCO LYCOMING IGO and IGSO-540 PARTS CATALOG

CRANKCASE, CRANKSHAFT AND CAMSHAFT GROUP CRANKCASE RELATED PARTS

FIG. REF.	PART NUMBER	DESCRIPTION	ON ALL	QUANTITY PER ASSEMBLY																			
				IGO-540				IGSO-540															
				A7A	A7C	B7A	B7C	A7A	A7C	A7E	A7H	B7A	B7C										
1	LW-11021	BEARING, Crankshaft	8																				
2	73061	BODY, Hydraulic tappet	12																				
3	78290	PLUNGER ASSY., Hydraulic tappet	12																				
4	78524	SOCKET, Push rod,hydraulic tappet	12																				
5	73772	NOZZLE ASSY., Piston cooling	6																				
6	71523	BALL, Piston cooling nozzle	6																				
7	71524	PLATE, Piston cooling nozzle	6																				
8	73773	NOZZLE, Piston cooling	6																				
9	72215	SPRING, Piston cooling nozzle	6																				
10	70337	BRACKET ASSY., Engine mount,rear		2		2	2		2	2		2	2	2	2								
11	70452	BRACKET ASSY., Engine mount,rt.rear			1				1	1													
12	70446	BRACKET, Engine mount,front			2				2	2													
13	38-21	STUD, 3/8-16 x 2-5/8 long		2		2	2		2	2		2	2	2	2								
14	STD-1171	INSERT, 3/8-16 Heli-coil x 3/4 long			1				1	1													
15	38-23	STUD, 3/8-16 x 2-7/8 long		2		2	2		2	2		2	2	2	2								
16	38-22	STUD, 3/8-16 x 2-3/4 long			2				2	2													
17	69701	BRACKET, Engine mount,front		2		2	2		2	2		2	2	2	2								
18	STD-33	WASHER, 3/8 plain		4																			
19	STD-617	NUT, 3/8-24 self-locking		4																			
20	70451	BRACKET ASSY., Engine mount,left rear			1				1	1													
21	STD-35	WASHER, 3/8 plain		6																			
22	STD-616	NUT, 3/8-24 self-locking		6																			
23	STD-1171	INSERT, 3/8-16 Heli-coil x 3/4 long			1				1	1													
24	38-22	STUD, 3/8-16 x 2-3/4 long			1				1	1													



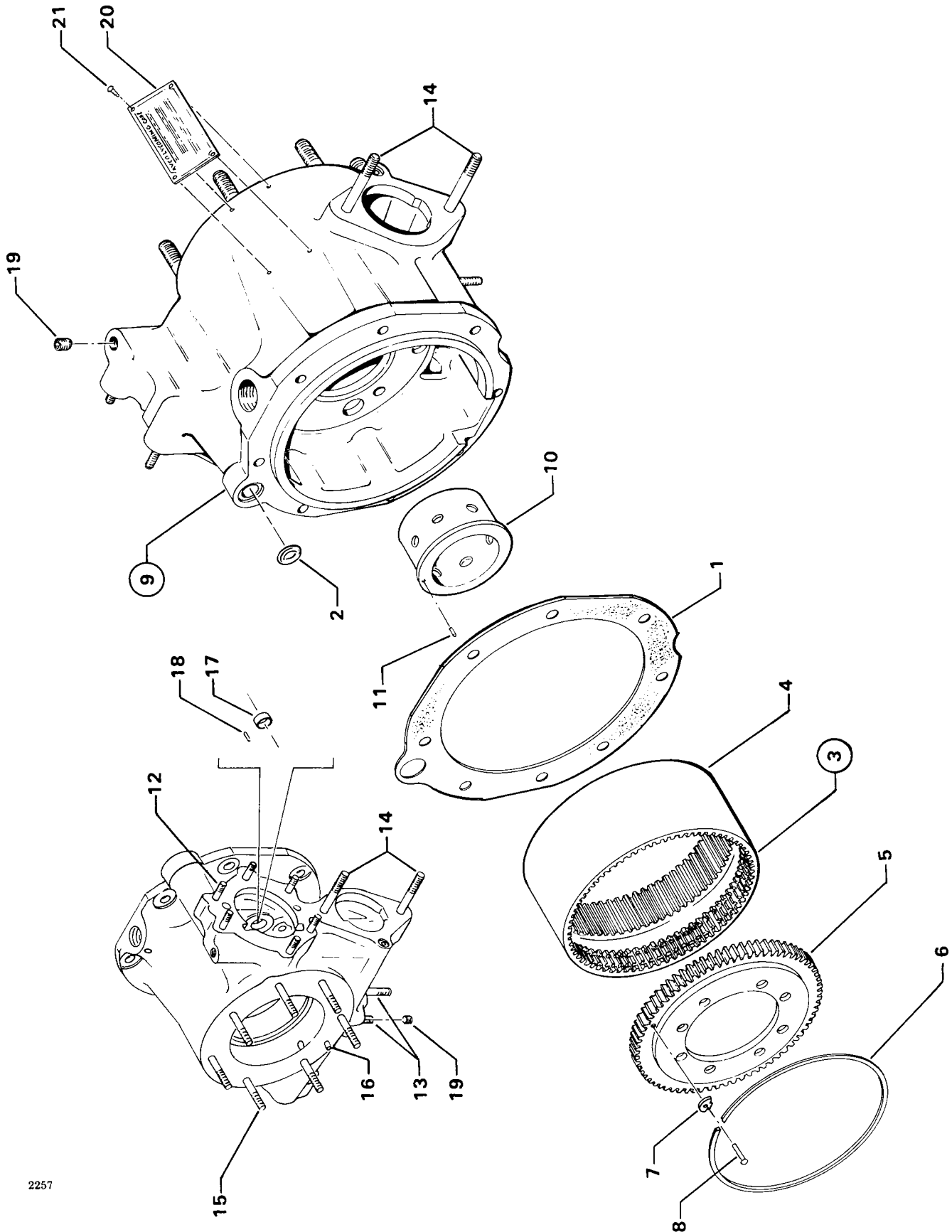
2037

Figure 3.

AVCO LYCOMING IGO and IGSO-540 PARTS CATALOG

REDUCTION GEAR HOUSING AND RELATED PARTS REDUCTION GEAR HOUSING ASSEMBLY

FIG. REF.	PART NUMBER	DESCRIPTION	ON ALL	QUANTITY PER ASSEMBLY																	
				IGO-540				IGSO-540													
				A	B	C	D	A	B	C	D	E	F	G	H	I	J				
5				/ / / / / / / / / / / / / / / / / /																	
1	74822	GASKET, Reduction gear housing	1																		
2	STD-994	RING, Oil seal, 1/2 ID x 3/32 dia.	1																		
3	75679	GEAR ASSY., Reduction			1		1	1													
	LW-12684	GEAR ASSY., Reduction					1														
	LW-11188	GEAR ASSY., Reduction							1	1			1			1					
	LW-11189	GEAR ASSY., Reduction										1	1	1			1				
	LW-11190	GEAR ASSY., Reduction											1								
4	69727	GEAR ASSY., Ring			1	1	1	1													
	LW-11187	GEAR ASSY., Ring							1	1			1	1	1	1	1	1			
5	67388	PLATE, Ring gear drive			1	1	1	1													
	LW-11185	PLATE, Ring gear drive							1	1			1	1	1	1	1	1			
6	66049	CIRCLIP, Ring gear	un																		
	66050	CIRCLIP, Ring gear	un																		
	66051	CIRCLIP, Ring gear	un																		
7	65973	LOCKRING, Gear circlip	1																		
8	AN435-3-10	RIVET, 3/32 dia.rd.hd., 5/8 long								1	1			1	1	1	1	1	1		
	STD-1017	RIVET, 3/32 dia.rd.hd.			1	1	1	1													
9	74962	HOUSING ASSY., Reduction gear.gov. and mag.	1																		
10	67733	SLEEVE, Reduction gear housing	1																		
11	STD-798	DOWEL, 3/32 dia.x 9/32 long	1																		
12	25-10	STUD, 1/4-20 x 1-1/4 long	6																		
13	25-14	STUD, 1/4-20 x 2-3/4 long	2																		
14	31-24	STUD, 5/16-18 x 3.00 long			4	4	4	4													
	31-24	STUD, 5/16-18 x 2.00 long								4	4	4	4	4	4	4	4	4			
15	38-19	STUD, 3/8-16 x 2-3/8 long	7																		
16	STD-1021	DOWEL, 3/16 dia.x 23/64 long	1																		
17	72157	BUSHING, Gov.drive	4																		
18	STD-1736	PIN, 5/32 dia.x 23/64 long	2																		
19	1102	PLUG, 1/8-27 NPT,Allen	2																		
20	61548	PLATE, Name	1																		
21	STD-1901	DRIVE STUD, No.4 x 3/16 long,rd.hd.	4																		



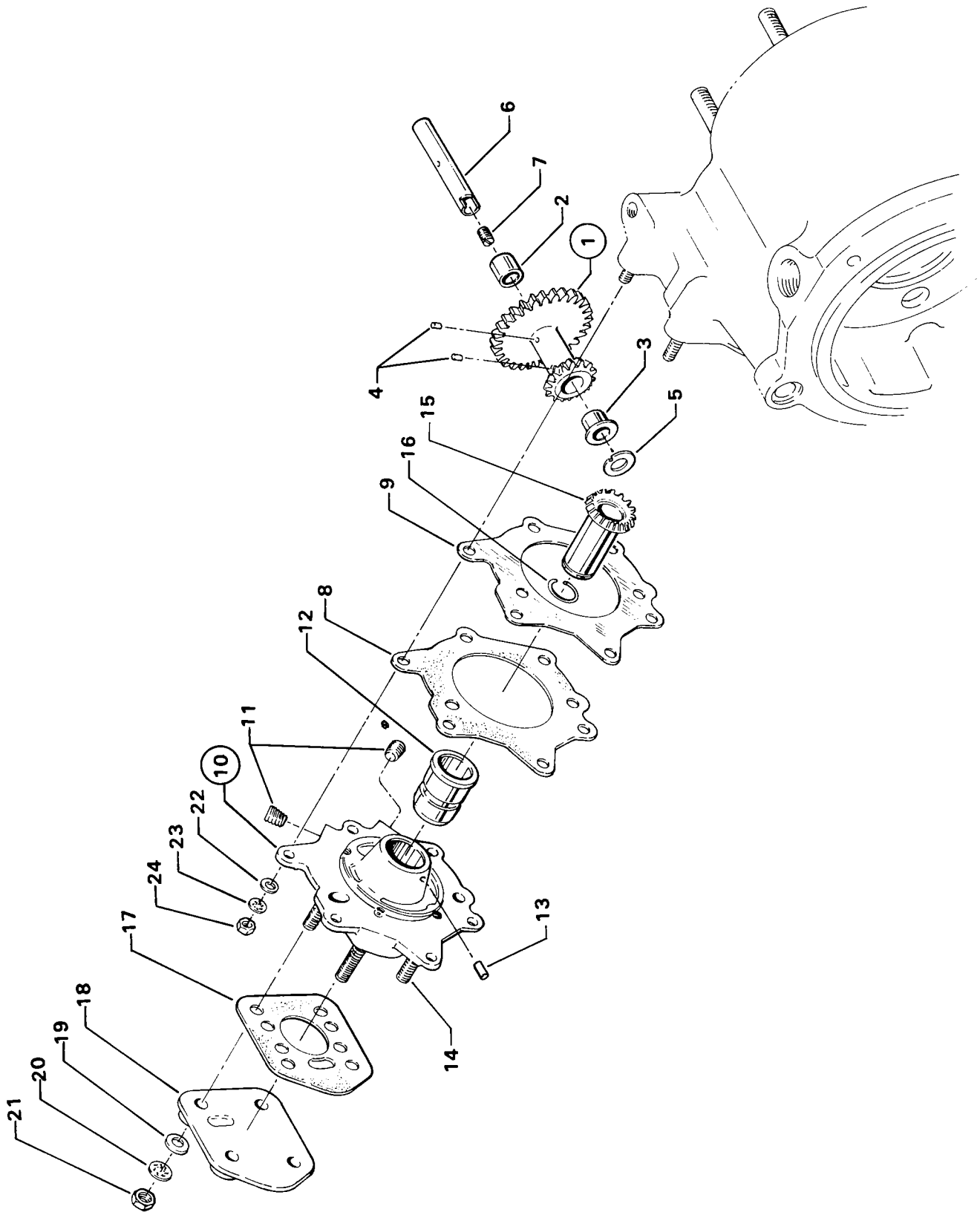
2257

Figure 5 - Reduction Gear Housing Assembly

AVCO LYCOMING IGO and IGSO-540 PARTS CATALOG

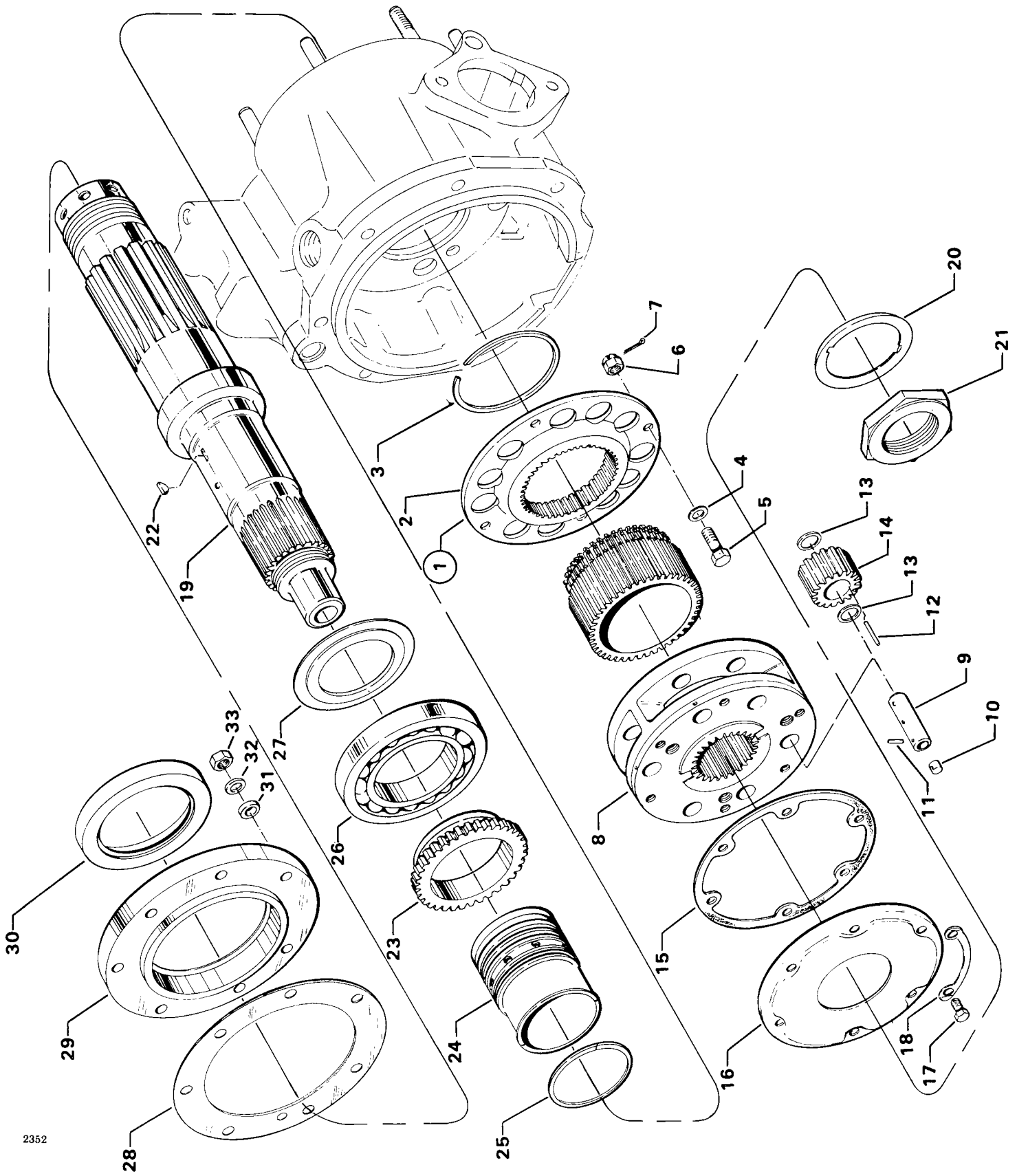
REDUCTION GEAR HOUSING AND RELATED PARTS GOVERNOR DRIVE

FIG. REF.	PART NUMBER	DESCRIPTION	ON ALL	QUANTITY PER ASSEMBLY													
				IGO-540						IGSO-540							
				A	A	B	B	C	C	A	A	A	A	A	A	B	B
1	72586	GEAR ASSY., Gov.drive idler	1														
2	72221	BUSHING, Gov.drive idler	1														
3	72222	BUSHING, Gov.drive idler thrust	1														
4	STD-19	DOWEL, 3/32 dia.x 7/32 long.	2														
5	68044	WASHER, Gov.drive idler thrust	un														
	68045	WASHER, Gov.drive idler thrust	un														
	68046	WASHER, Gov.drive idler thrust	un														
6	72588	SHAFT ASSY., Gov.drive idler	1														
7	STD-120	PLUG, 5/16-18 x 5/16 long, slotted	1														
8	72746	GASKET, Prop.gov.adapter	2														
9	72747	SHIM, Prop.gov.adapter	1														
10	73075	ADAPTER ASSY., Propeller gov.			1	1	1	1		1	1	1		1	1	1	
	77730	ADAPTER ASSY., Propeller gov.											1				
11	1102	PLUG, 1/8-27 NPT,Allen	2														
12	72748	BUSHING, Propeller gov.adapter	1														
13	STD-394	DOWEL, 3/32 dia.x 11/32 long	1														
14	31-17	STUD, 5/16-18 x 2-1/8 long			4	4	4	4		4	4	4		4	4	4	
	31-13	STUD, 5/16-18 x 1-5/8 long											4				
15	72590	GEAR, Governor drive	1														
16	STD-332	CIRCLIP, 13/16 ID x 3/64 dia.wire	1														
17	72053	GASKET, Governor drive	1														
18	72378	COVER, Governor drive	1														
19	STD-35	WASHER, 5/16 plain	16														
20	STD-475	WASHER, 5/16 lock,internal teeth	4														
21	STD-37	NUT, 5/16-24 NF-3	4														
22	STD-8	WASHER, 1/4 plain	6														
23	STD-160	WASHER, 1/4 lock,internal teeth	6														
24	STD-9	NUT, 1/4-28 NF-3 plain	6														



2316

Figure 6 - Governor Drive



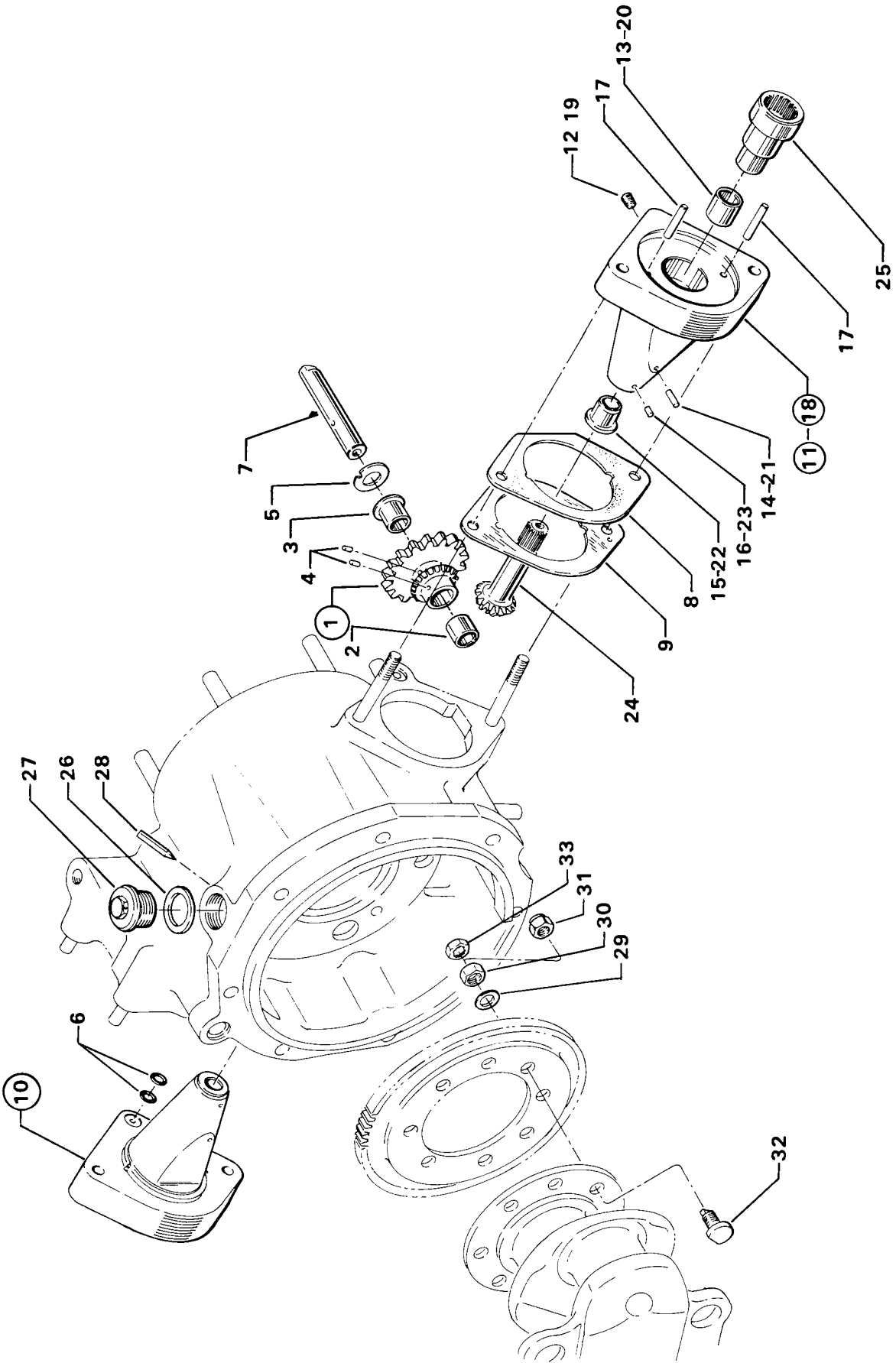
2352

Figure 7 - Propeller Shaft and Stationary Gear Assembly

AVCO LYCOMING IGO and IGSO-540 PARTS CATALOG

REDUCTION GEAR HOUSING AND RELATED PARTS MAGNETO DRIVES

FIG. REF.	PART NUMBER	DESCRIPTION	ON ALL	QUANTITY PER ASSEMBLY															
				IGO-540				IGSO-540											
				A	B	C	D	A	B	C	D	E	F	G	H				
1	72532	GEAR ASSY., Magneto drive idler	1																
2	72221	BUSHING, Gov.drive idler	1																
3	72222	BUSHING, Gov.drive idler thrust	1																
4	STD-19	DOWEL, 3/32 dia.x 7/32 long	2																
5	68044	WASHER, Gov.drive idler thrust	un																
	68045	WASHER, Gov.drive idler thrust	un																
	68046	WASHER, Gov.drive idler thrust	un																
6	72091	RING, Oil seal,23/64 ID x 3/32 section	4																
7	72593	SHAFT, Magneto drive idler	1																
8	75668	GASKET, Magneto drive adapter	4																
9	72487	SHIM, Magneto drive adapter	2																
10	75677	ADAPTER ASSY., Magneto drive,left		1	1	1		1	1	1	1								
11	75676	ADAPTER ASSY., Magneto drive,right		1	1	1		1	1	1	1								
12	STD-1339	PLUG, 1/16-27 NPT,Allen hd.		2	2	2		2	2	2	2								
13	72556	BUSHING, Magneto adapter		2	2	2		2	2	2	2								
14	STD-875	DOWEL, 3/32 dia.x 1/2 long		2	2	2		2	2	2	2								
15	72557	BUSHING, Magneto adapter thrust		2	2	2		2	2	2	2								
16	STD-798	DOWEL, 3/32 dia.x 9/32 long		2	2	2		2	2	2	2								
17	STD-1883	DOWEL, 1/8 dia.x 1-3/16 long		2	2	2		2	2	2	2								
18	76493	ADAPTER ASSY., Magneto drive			2				2	2	2								2
19	STD-1339	PLUG, 1/16-27 NPT,Allen hd.			2				2	2	2								2
20	72556	BUSHING, Magneto adapter			2				2	2	2								2
21	STD-875	DOWEL, 3/32 dia.x 1/2 long			2				2	2	2								2
22	72557	BUSHING, Magneto adapter thrust			2				2	2	2								2
23	STD-798	DOWEL, 3/32 dia.x 9/32 long			2				2	2	2								2
24	72489	GEAR, Magneto driven	2																
25	72664	COUPLING, Magneto drive	2																
26	STD-111	GASKET, 1.00 ID x 1-1/4 OD x 3/32 annular	1																
27	69335	PLUG, 1-1/4 hex.hd.x 1.00-20 thd.	1																
28	65818	PIN, Engine timing	1																
29	STD-33	WASHER, 3/8 plain	8																
30	STD-596	NUT, 3/8-24 plain	8																
31	STD-39	LOCKNUT, 3/8 palnut		8	6	8	8		6	6	6	6	6	6	6	6			
32	74855	BOLT, Crankshaft flange	8																
33	74646	NUT, 3/8-24 crimp lock	8																



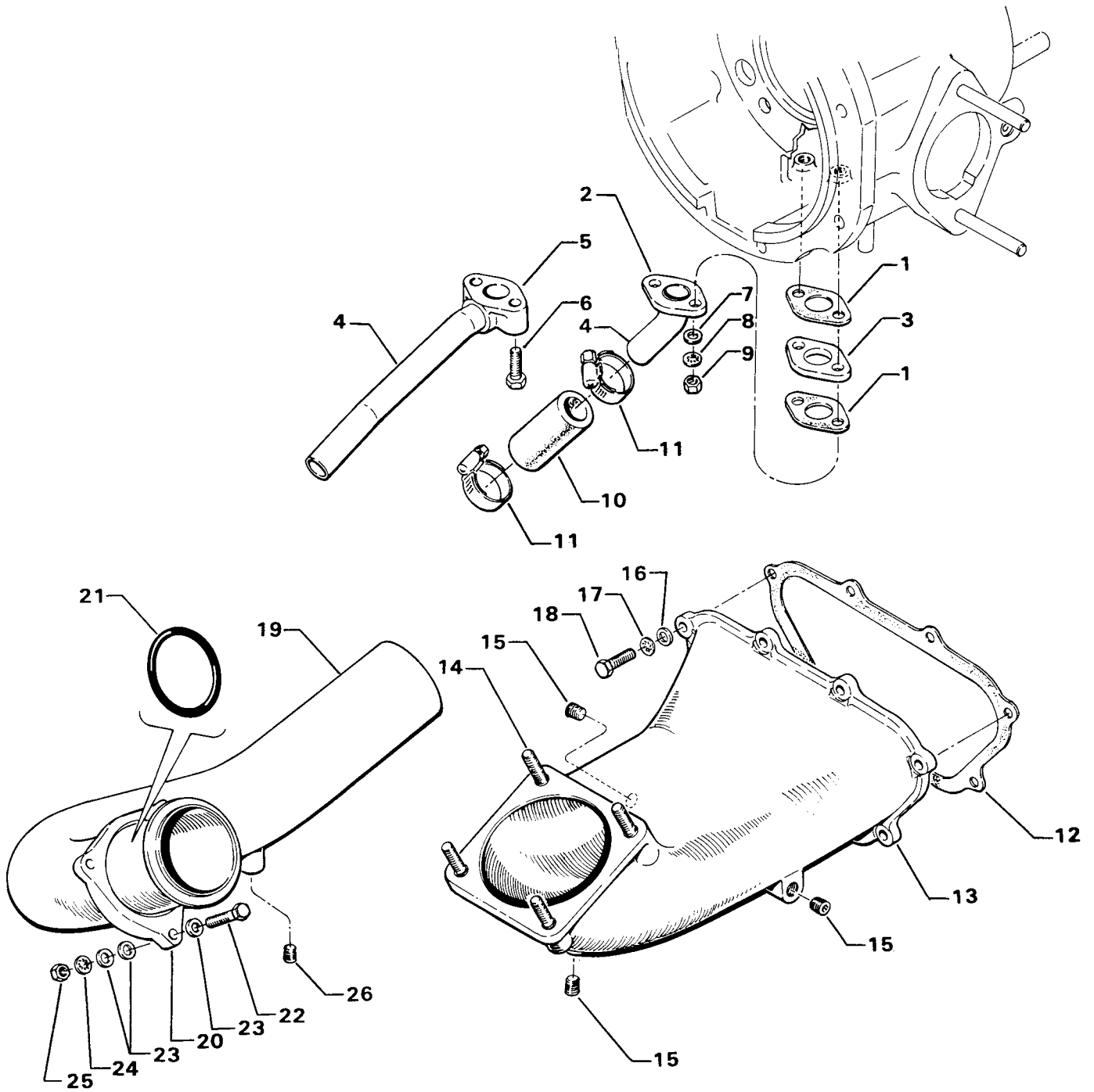
2320

Figure 8 - Magneto Drives

AVCO LYCOMING IGO and IGSO-540 PARTS CATALOG

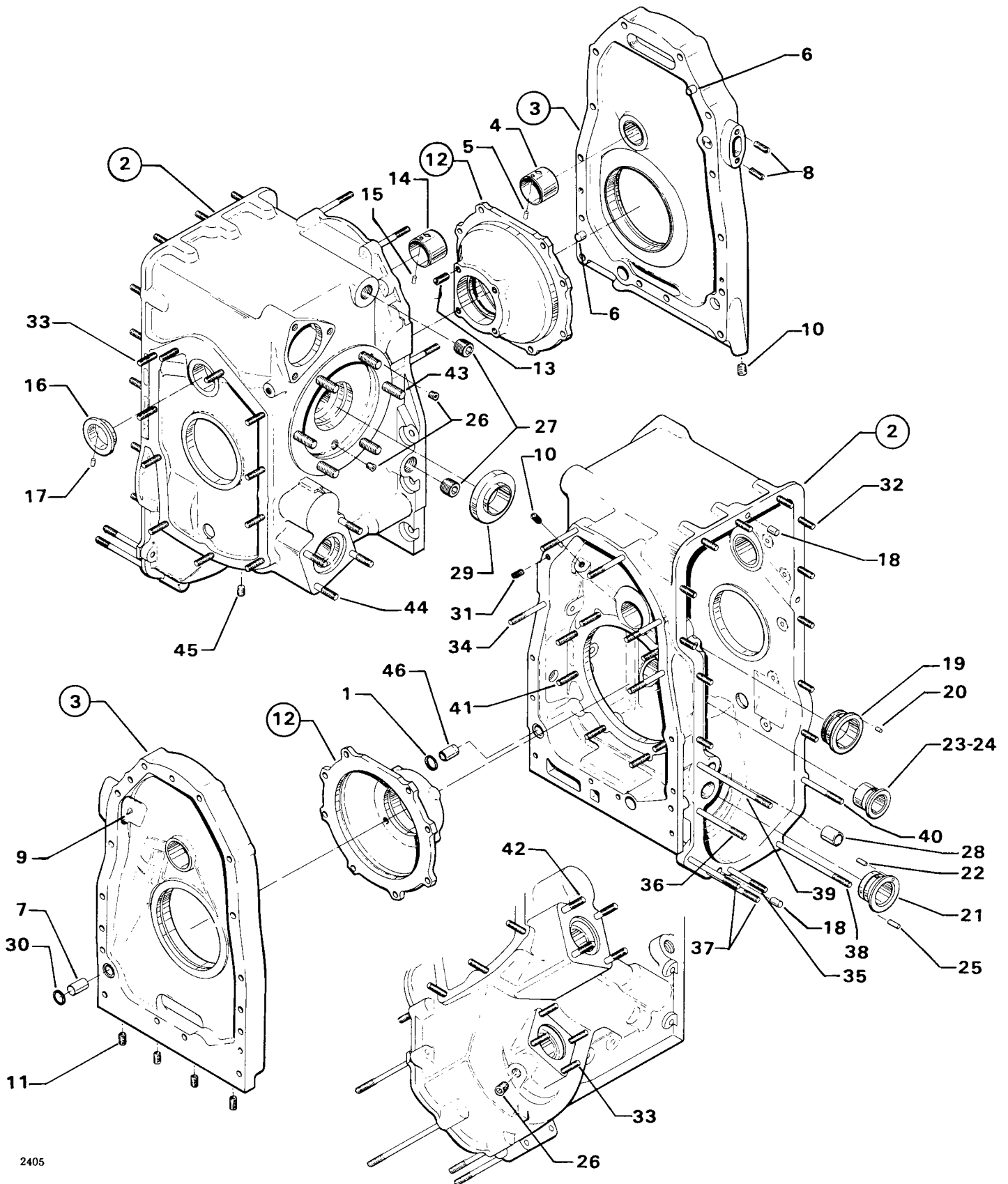
REDUCTION GEAR HOUSING AND RELATED PARTS DRAIN TUBE ASSEMBLY

FIG. REF.	PART NUMBER	DESCRIPTION	ON ALL	QUANTITY PER ASSEMBLY															
				IGO-540				IGSO-540											
				A1A	A1C	B1A	B1C	A1A	A1C	A1D	A1E	B1A	B1C						
1	72468	GASKET, Reduction gear housing drain	2																
2	72939	TUBE ASSY., Reduction gear housing drain				1	1	1	1										
	72482	TUBE ASSY., Reduction gear housing drain								1	1	1	1	1	1	1			
3	72473	FLANGE, Reduction gear housing drain	1																
4	72481	TUBE ASSY., Reduction gear housing drain, front								1	1	1	1	1	1	1			
	72940	TUBE ASSY., Reduction gear housing drain, front				1	1	1	1										
5	72529	FLANGE, Reduction gear housing drain, front	1																
6	STD-1204	BOLT, 1/4-20 x 15/16 long,hex.hd.	2																
7	STD-8	WASHER, 1/4 plain	2																
8	STD-160	WASHER, 1/4 lock,internal teeth	4																
9	STD-9	NUT, 1/4-28 plain	2																
10	STD-1797	HOSE, 3/4 ID x 1-3/32 OD x 2-1/4 long	1																
11	LW-15592-8-12	CLAMP, Hose	2																
12	73292	GASKET, Throttle body adapter				1	1	1	1										
13	74128	ADAPTER ASSY., Throttle body				1		1	1										
	LW-12685	ADAPTER ASSY., Throttle body						1											
14	31-22	STUD, 5/16-18 x 2-3/4 long						4											
	31-15	STUD, 5/16-18 x 1-7/8 long				4		4	4										
15	1102	PLUG, 1/8-27 pipe,Allen				3	3	3	3										
16	STD-8	WASHER, 1/4 plain				7	7	7	7										
17	STD-160	WASHER, 1/4 lock,internal teeth				7	7	7	7										
18	STD-1688	BOLT, 1/4-20 x 1.00 long,hex.hd.				7	7	7	7										
19	72767	PIPE, Supercharger outlet								1	1	1	1	1	1	1			
20	68106	FLANGE, Super.outlet pipe								1	1	1	1	1	1	1			
21	STD-1753	RING, 2-31/64 ID x 1/8 dia.section								2	2	2	2	2	2	2			
22	AN4-12A	BOLT, 1/4-28 x 1-9/32 long,hex.hd.								3	3	3	3	3	3	3			
23	STD-8	WASHER, 1/4 plain								9	9	9	9	9	9	9			
24	STD-160	WASHER, 1/4 lock,internal teeth								6	6	6	6	6	6	6			
25	STD-9	NUT, 1/4-28 plain								6	6	6	6	6	6	6			
26	1102	PLUG, 1/8-27 NPT,Allen (in super.outlet pipe)								1	1	1	1	1	1	1			



2321

Figure 9 - Drain Tube Assembly



2405

Figure 10 - Accessory Housing Assembly

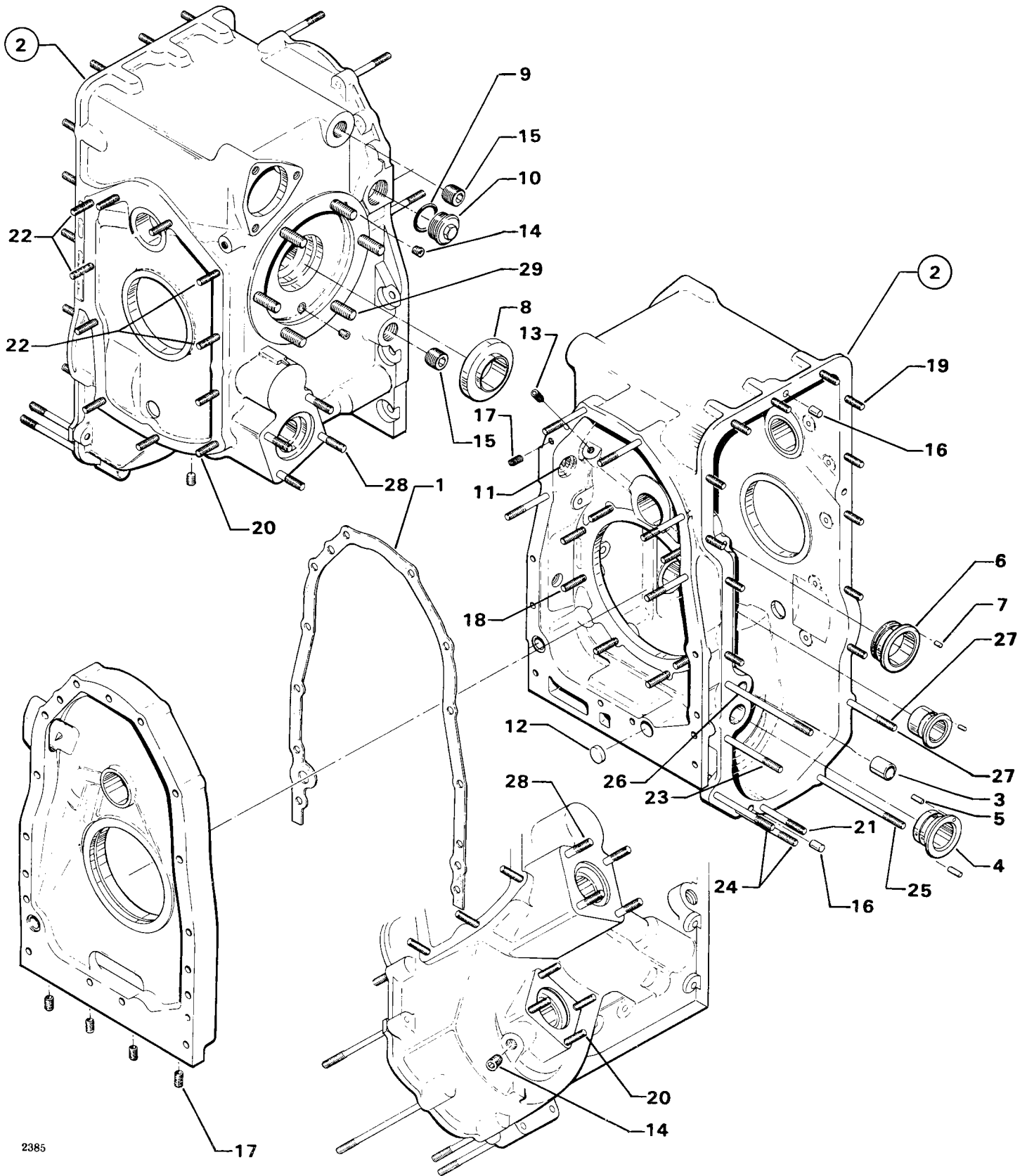
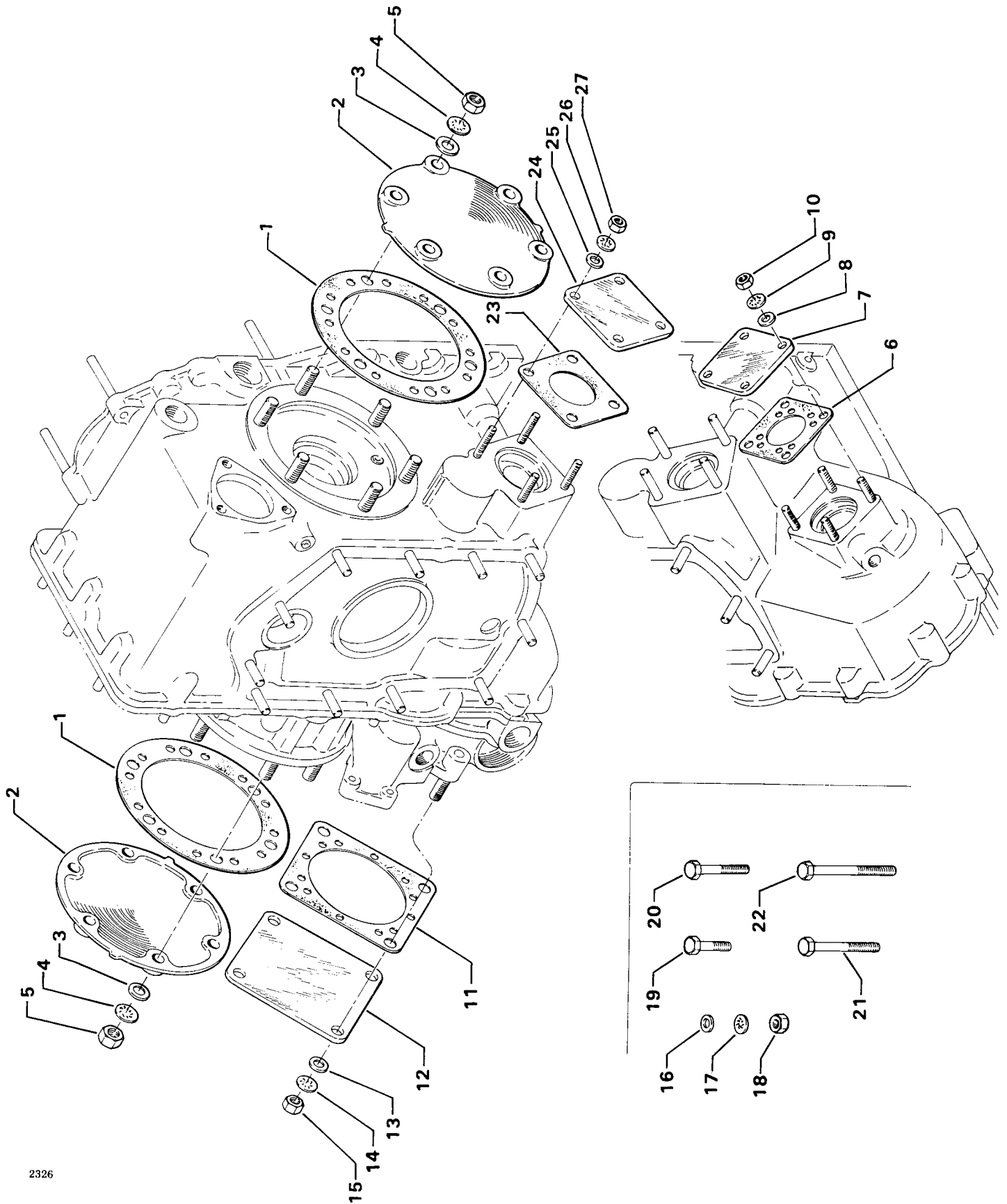
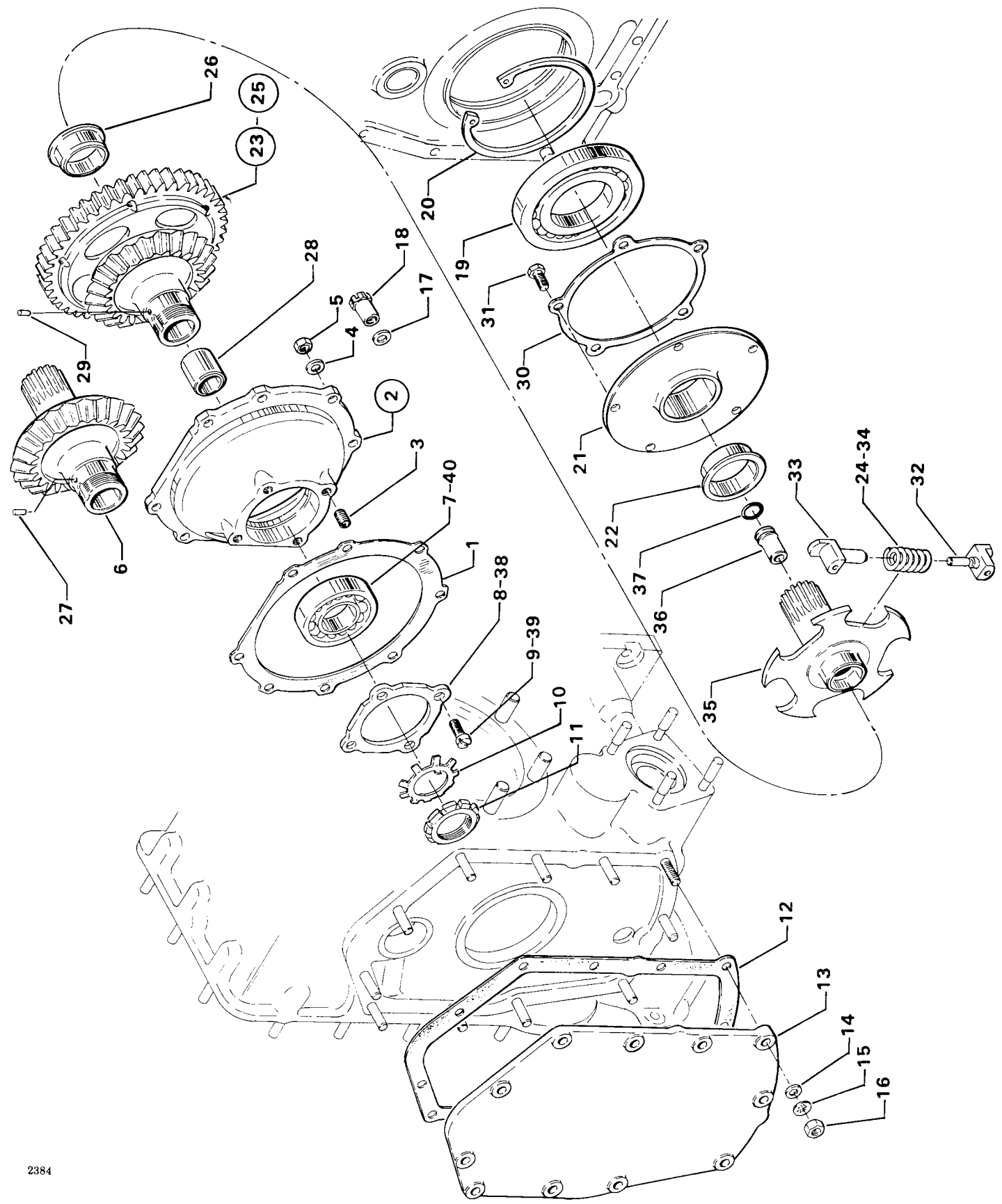


Figure 11 - Accessory Housing Assembly



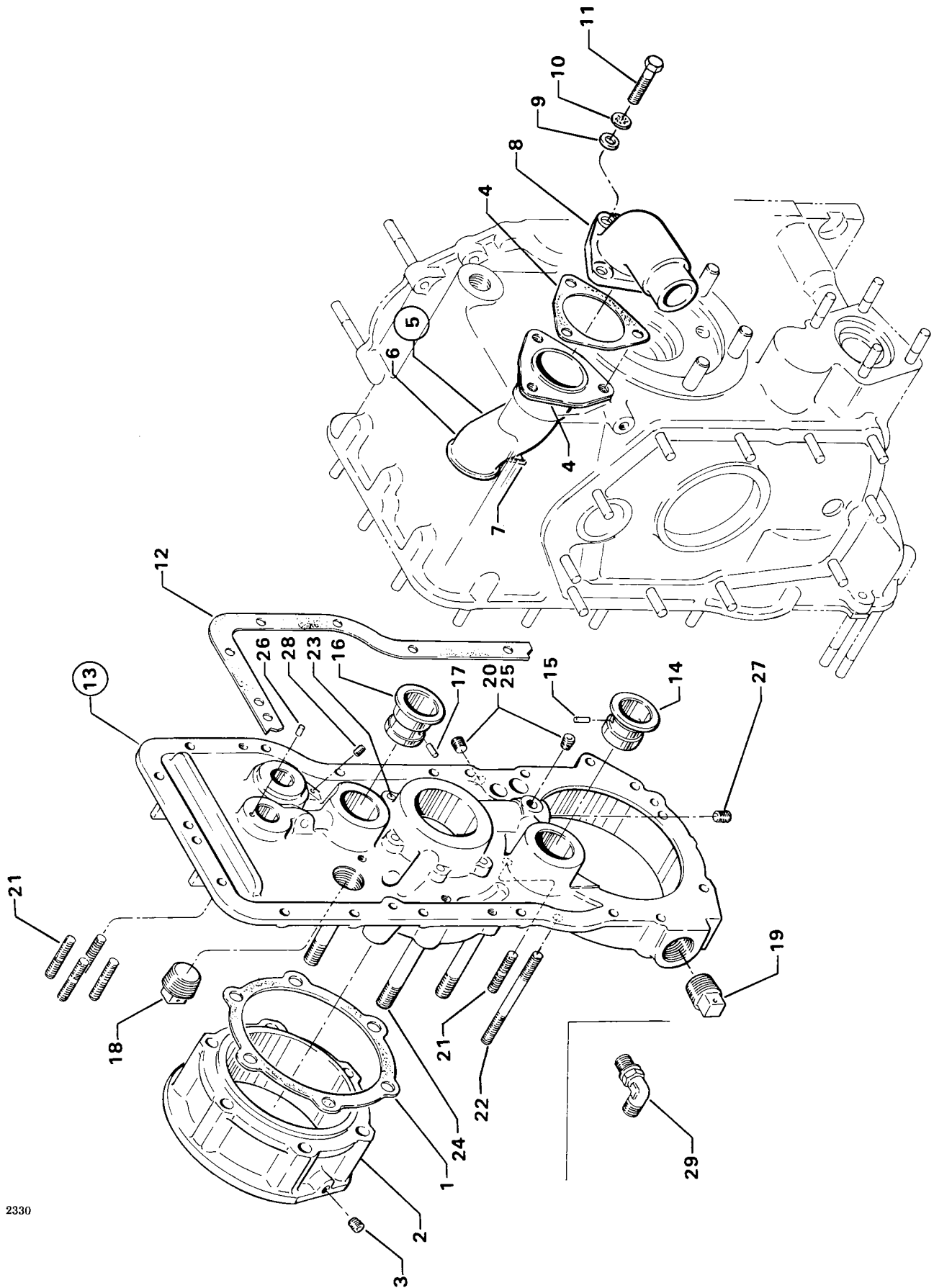
2326

Figure 12 - Starter, Generator, Vacuum Pump, Hydraulic Pump and Fuel Pump Covers



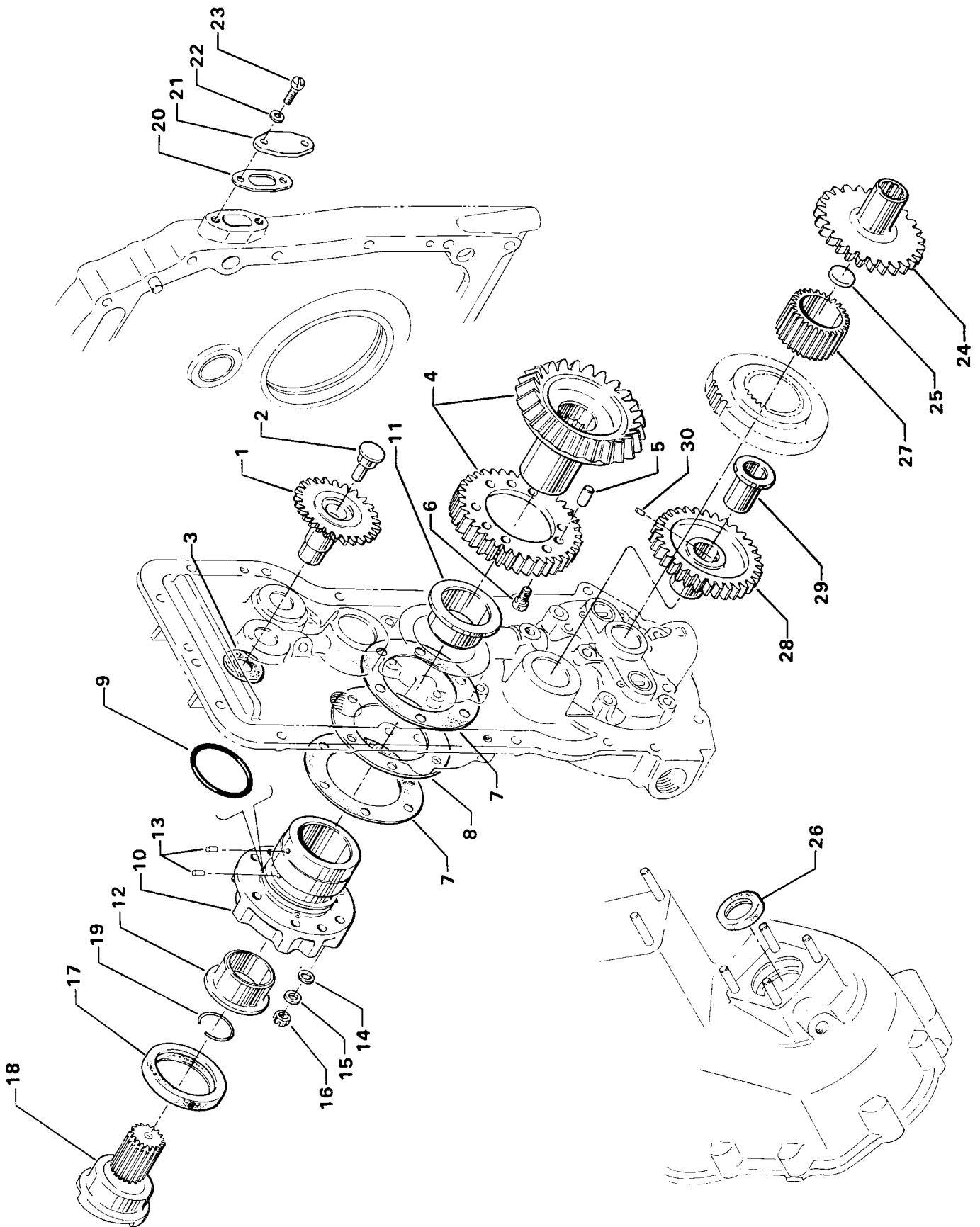
2384

Figure 13 - Supercharger Drives and Related Parts



2330

Figure 14 - Starter Drive, Breather Tube and Related Parts



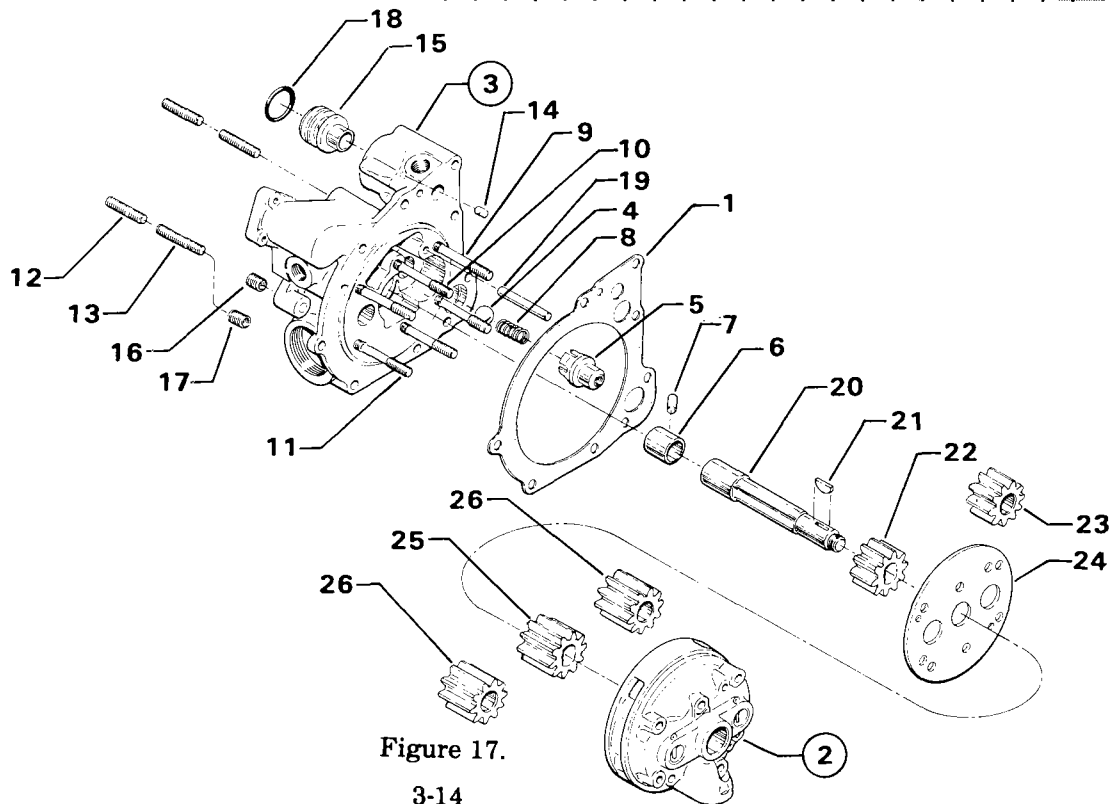
2331

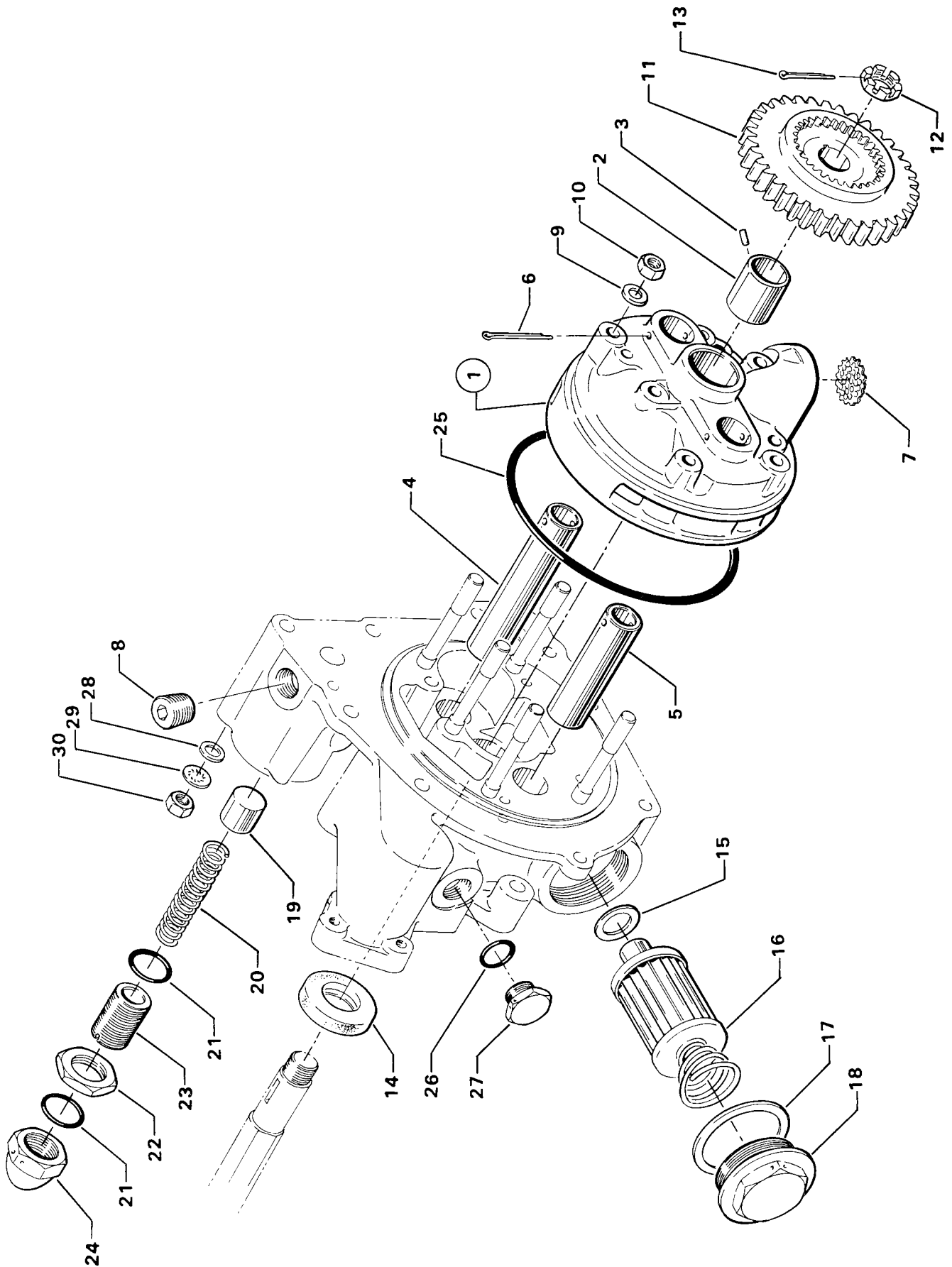
Figure 15 - Vacuum Pump, Tachometer and Starter Drive

AVCO LYCOMING IGO and IGSO-540 PARTS CATALOG

ACCESSORY HOUSING AND RELATED PARTS OIL PRESSURE AND SCAVENGE PUMP

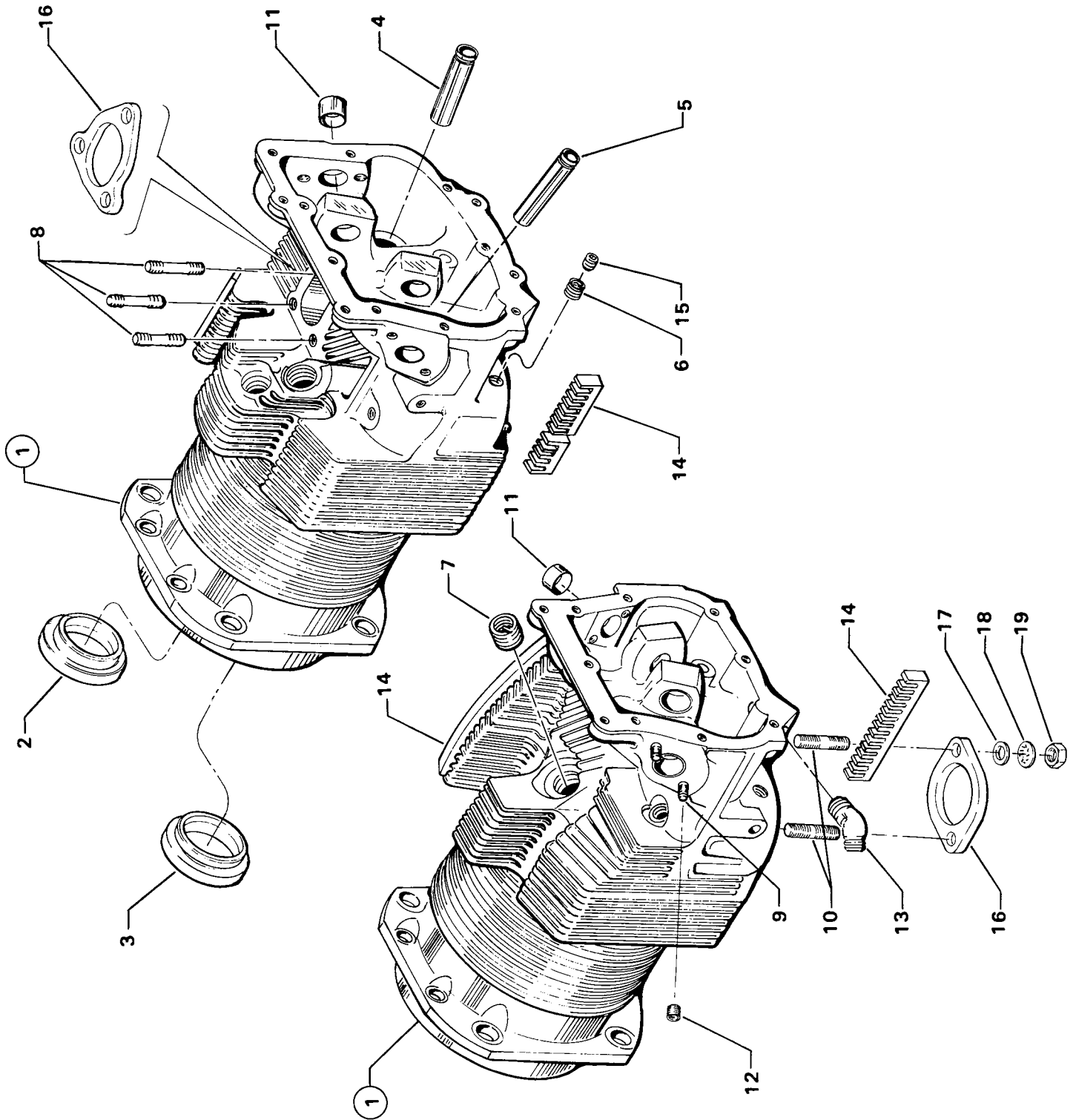
FIG. REF.	PART NUMBER	DESCRIPTION	ON ALL	QUANTITY PER ASSEMBLY												
				IGO-540						IGSO-540						
				A1A	A1C	B1A	B1C	A1A	A1C	B1A	B1C					
17																
1	68456	GASKET, Hydraulic and oil pump	1													
2	73092	PUMP ASSY., Oil	1													
3	73087	BODY ASSY., Oil pressure pump	1													
4	1028-B	BALL, 11/16 dia.	1													
5	71999	RETAINER, Ball check valve	1													
6	68466	BUSHING, Oil pump drive shaft	1													
7	STD-394	DOWEL, 5/16 dia.x 11/32 long	1													
8	73761	SPRING, Check valve	1													
9	25D-23	STUD, 1/4-20 x 2-7/8 long,drilled	4													
10	25D-24	STUD, 1/4-20 x 3.00 long,drilled	1													
11	25D-26	STUD, 1/4-20 x 3-1/4 long,drilled	1													
12	31-12	STUD, 5/16-18 x 1/2 long	1													
13	31-14	STUD, 5/16-18 x 3/4 long	1													
14	STD-1392	PLUG, 17/64 dia.x 5/16 long	1													
15	LW-13036	SLEEVE, Oil relief valve	1													
16	MS122200	INSERT, No.10-24 Heli-coil x 31/64 long	4													
17	STD-1164	INSERT, 5/16-18 Heli-coil x 1/16 long	1													
18	MS28775-024	SEAL, "O" ring	1													
19	67762	DOWEL, Oil pump	2													
20	75516	SHAFT, Hydraulic pump or oil pump	1													
21	STD-1973	KEY, 1/8 x 3/4 dia.Woodruff	1													
22	61297	IMPELLER, Oil pump driven	1													
23	68404	IMPELLER, Oil pressure pump driven	1													
24	68468	SPACER, Oil pressure and oil scavenge pump	1													
25	66426	IMPELLER, Oil scavenge pump driving	1													
26	68403	IMPELLER, Oil scavenge pump	1													





2333

Figure 18 - Oil Pressure and Oil Scavenge Pump



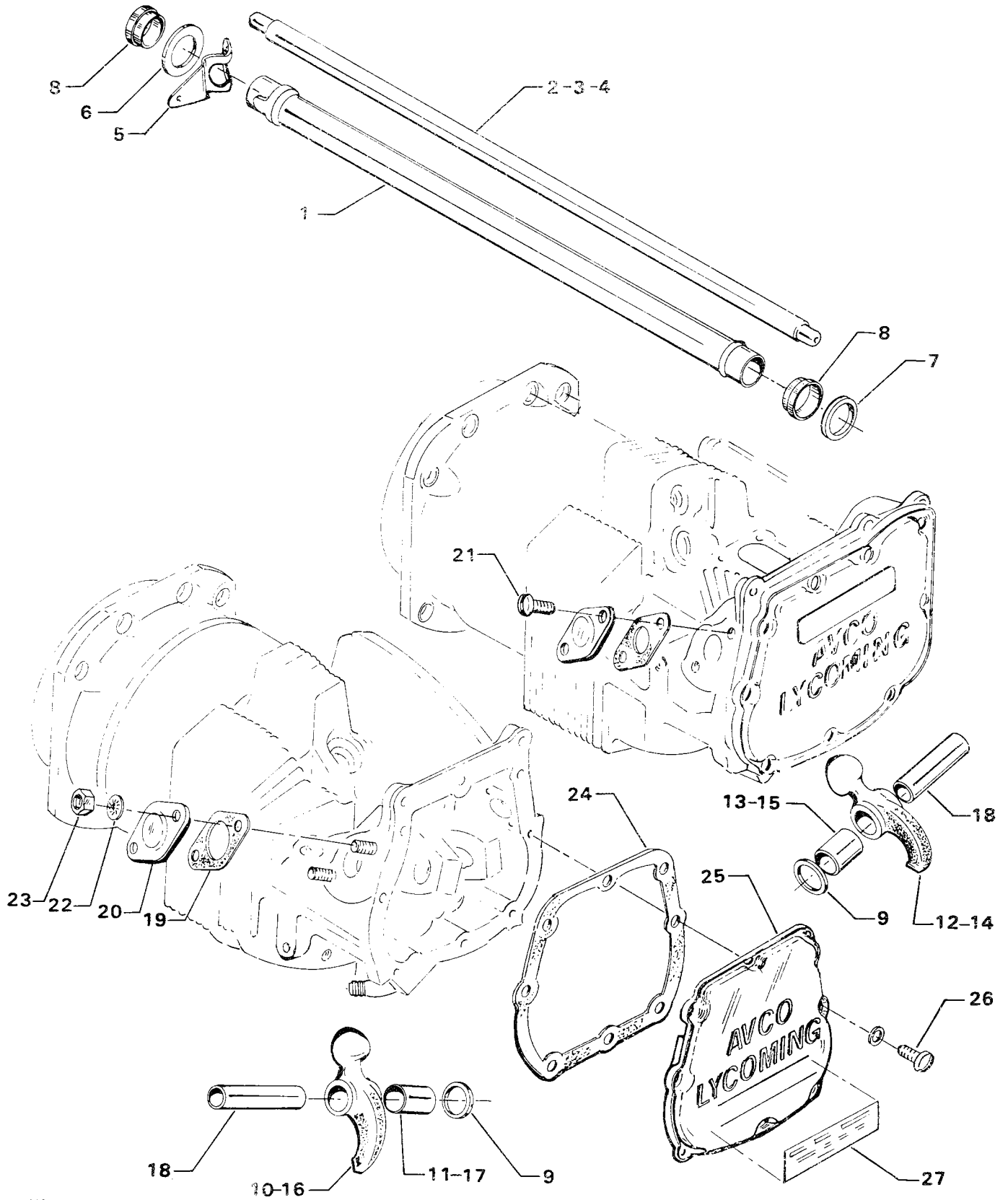
2386

Figure 19 - Cylinder Assembly

AVCO LYCOMING IGO and IGSO-540 PARTS CATALOG

CYLINDER, PISTON AND VALVE TRAIN CYLINDER RELATED PARTS

FIG. REF.	PART NUMBER	DESCRIPTION	ON ALL	QUANTITY PER ASSEMBLY															
				IGO-540								IGSO-540							
				A	B	C	D	E	F	G	H	A	B	C	D	E	F	G	H
20																			
1	72255	SHROUD TUBE ASSY., Push rod,intake																6	6
	72257	SHROUD TUBE ASSY., Push rod,exhaust																6	6
	72255	SHROUD TUBE ASSY., Push rod																12	12
2	73555	ROD ASSY., Push,intake - A total																un	un
	73556	ROD ASSY., Push,intake - of 6																un	un
	73557	ROD ASSY., Push,intake - push rods																un	un
	73558	ROD ASSY., Push,intake - required.																un	un
3	73545	ROD ASSY., Push,exhaust - A total																un	un
	73546	ROD ASSY., Push,exhaust - of 6																un	un
	73547	ROD ASSY., Push,exhaust - push rods																un	un
	73548	ROD ASSY., Push,exhaust - required.																un	un
4	73556	ROD ASSY., Push - A total																un	un
	73557	ROD ASSY., Push - of 12 push																un	un
	73558	ROD ASSY., Push - rods required.																un	un
5	LW-13077	SPRING, Shroud tube	24																
6	66728	WASHER, 25/32 ID x 1-1/4 OD x 1/32 thick	24 24																
7	61503	SLEEVE, Shroud tube seal	12																
8	62922	SEAL, Shroud tube	24																
9	71549	WASHER, Valve rocker thrust	12																
10	71266	ROCKER ASSY., Intake valve	6																
11	67114	BUSHING, Valve rocker	6																
12	LW-12702	ROCKER ASSY., Exhaust valve															6	6	
13	LW-12588	BUSHING, Valve rocker															6	6	
14	71265	ROCKER ASSY., Exhaust valve															6	6	
15	67114	BUSHING, Valve rocker															6	6	
16	74390	ROCKER ASSY., Exhaust valve															6	6	
17	74389	BUSHING, Valve rocker															6	6	
18	72626	SHAFT, Valve rocker	12																
19	66732	GASKET, Valve rocker shaft cover	12																
20	72710	COVER, Valve rocker shaft															12	12	
	66731	COVER, Valve rocker shaft															12	12	
21	72709	SCREW, 1/4-20 x 5/8 long,self-sealing															24	24	
22	STD-160	WASHER, 1/4 internal lock															24	24	
23	STD-9	NUT, 1/4-28 plain															24	24	
24	71450	GASKET, Rocker box cover															6	6	
	67193	GASKET, Rocker box cover															6	6	
25	72242	COVER ASSY., Rocker box															6	6	
	68795	COVER ASSY., Rocker box															6	6	
26	STD-1925	SCREW, 1/4-20 x 5/8 long,pan.hd., self-locking															48	48	
27	74494	PLATE, Spark plug caution	6														48	48	



2387

Figure 20 - Cylinder Related Parts

AVCO LYCOMING IGO and IGSO-540 PARTS CATALOG

CYLINDER, PISTON AND VALVE TRAIN CONNECTING ROD, PISTONS AND RING ASSEMBLIES

FIG. REF.	PART NUMBER	DESCRIPTION	ON ALL	QUANTITY PER ASSEMBLY																			
				IGO-540						IGSO-540													
				A/A	A/B	B/B	B/C			A/A	A/B	B/B	B/C										
21																							
1	LW-13422	CONNECTING ROD ASSY.	6																				
2	LW-13923	BUSHING, Connecting rod, upper	6																				
3	LW-12596*	BOLT, Connecting rod	12																				
4	LW-12186	NUT, Connecting rod	12																				
5	LW-13209	BEARING, Connecting rod	12																				
6	LW-10207**	PISTON		6	6	6	6																
	LW-10208**	PISTON						6	6	6	6	6	6	6									
7	LW-14078	PIN, Piston	6																				
8	60828	PLUG, Piston pin	12																				
9	74241	RING, Piston, compression	12																				
10	73857	RING, Piston, oil regulating, expander type	6																				

* - Before assembly of bearings coat I.D. of connecting rod bearing bore with Felpro C5-A or Cop-Graf.

** - Select pistons by weight in sets stamped "A", "AS", or "B", "BS".

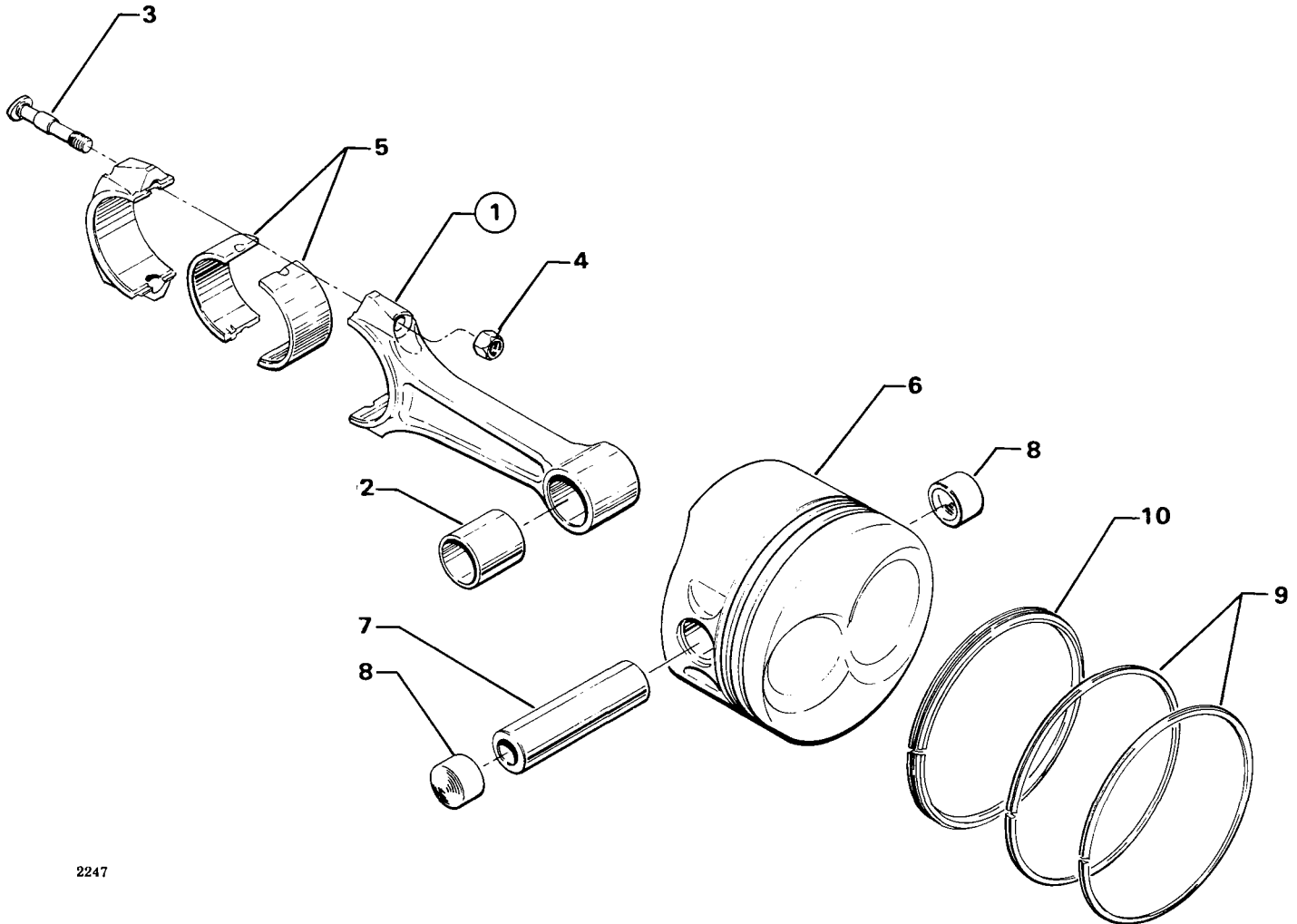
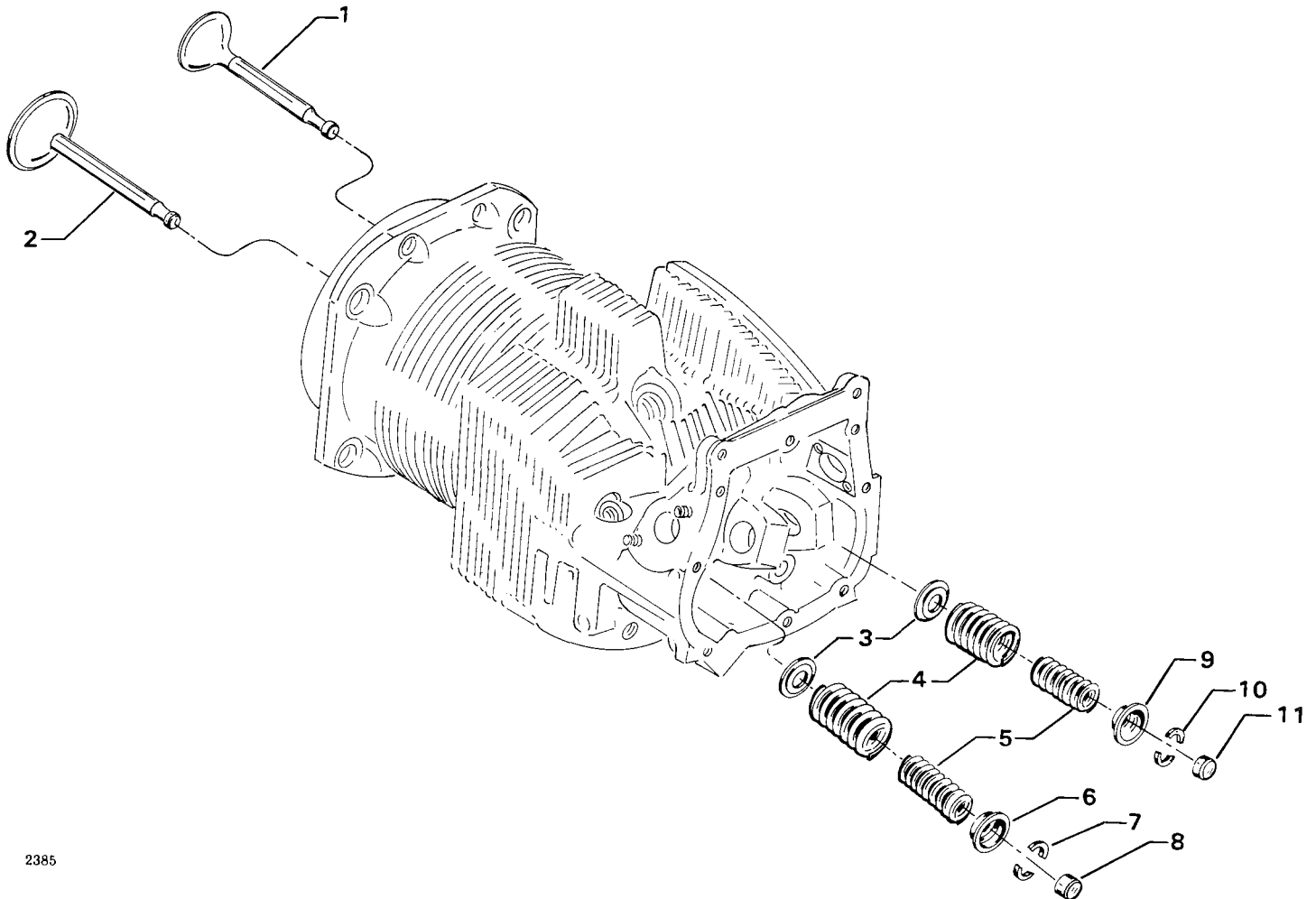


Figure 21.

AVCO LYCOMING IGO and IGSO-540 PARTS CATALOG

CYLINDER, PISTON AND VALVE TRAIN VALVE ASSEMBLY

FIG. REF.	PART NUMBER	DESCRIPTION	ON ALL	QUANTITY PER ASSEMBLY													
				IGO-540						IGSO-540							
				A1	A2	B1	B2	C1	C2	A1	A2	B1	B2	C1	C2		
22	1	LW-12949 VALVE, Intake,rotator type				6	6	6	6								
	LW-13622 VALVE, Intake									6	6	6	6	6	6	6	
2	73111 VALVE, Exhaust,rotator type			6	6	6	6										
	LW-11167 VALVE, Exhaust,rotator type			6	6	6	6										
3	74802 VALVE, Exhaust,rotator type											6	6	6	6	6	6
	LW-13321 SEAT, Valve spring lower	6															
	LW-13322 SEAT, Valve spring lower	6															
4	LW-11796 SPRING, Valve outer	12															
5	LW-11797 SPRING, Valve,auxiliary	12															
6	69532 SEAT, Valve spring,intake	6															
7	72050 KEY, Valve,intake	12															
8	62388 CAP, Valve stem,intake	6															
9	LW-16475 SEAT, Valve spring,rotator type,																
	exhaust	6															
10	MS13997-3 KEY, Valve,rotator type,exhaust	12															
11	MS13998-3 CAP, Valve stem,exhaust	6															



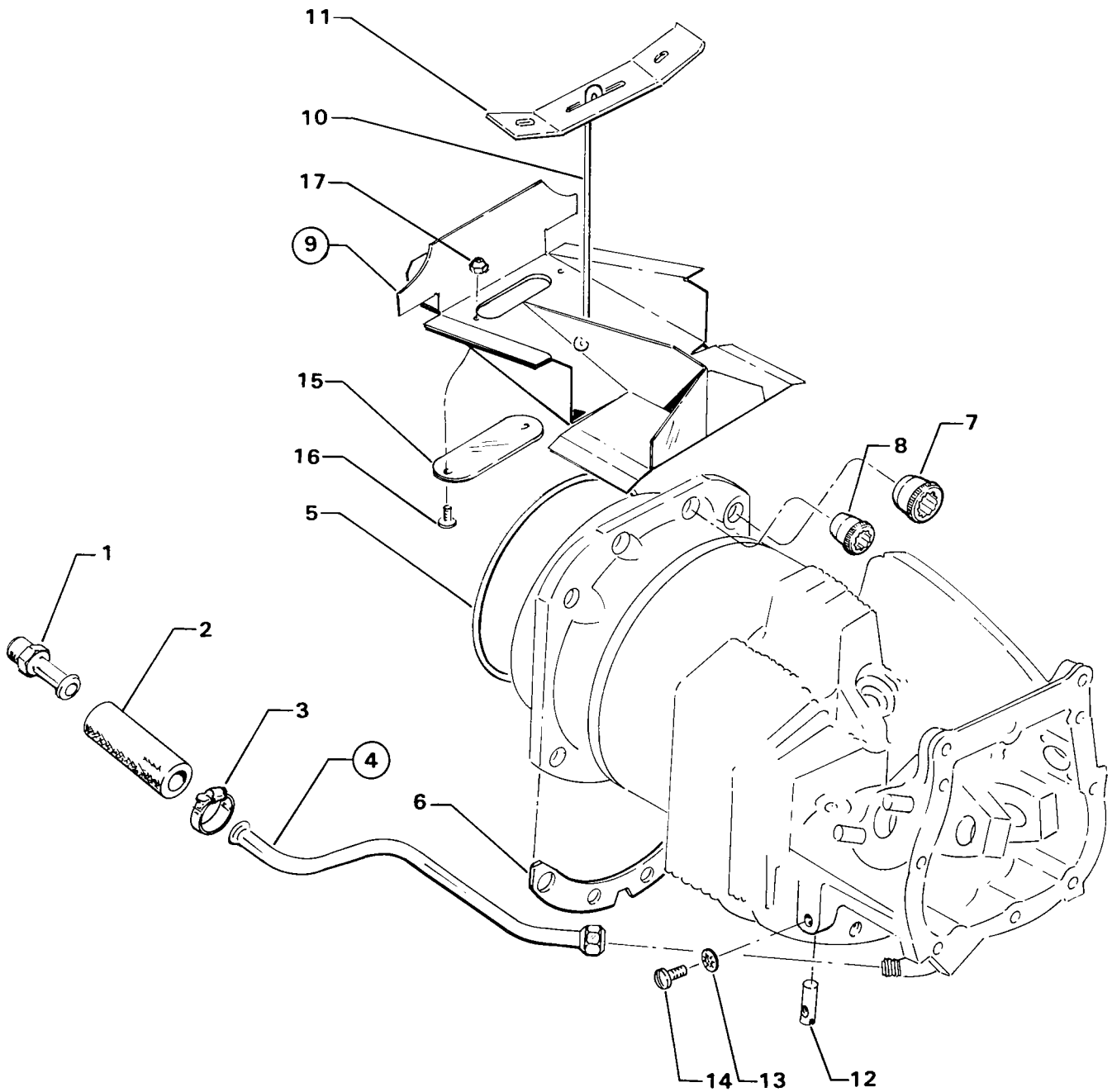
2385

Figure 22.

AVCO LYCOMING IGO and IGSO-540 PARTS CATALOG

CYLINDER, PISTON AND VALVE TRAIN CYLINDER HEAD DRAIN TUBES AND INTERCYLINDER COOLING BAFFLES

FIG. REF.	PART NUMBER	DESCRIPTION	ON ALL	QUANTITY PER ASSEMBLY																
				IGO-540					IGSO-540											
				A	B	C			A	B	C	D	E	F	G	H	I			
23																				
1	STD-684	NIPPLE, Straight, 3/8 ID hose	6																	
2	STD-1821	HOSE, 3/8 ID x 2-1/2 long	6																	
3	LW-15592-5-05	CLAMP, Hose	12																	
4	67787	TUBE ASSY., Cyl.head oil drain	6																	
5	71481	RING, Oil seal, 3/32 dia. section x 4-27/32 ID	6																	
6	69531	PLATE, Cyl. hold down nut	12																	
7	71133	NUT, 1/2-20 NF-3 cyl. hold down	24																	
8	71134	NUT, 3/8-24 NF-3 cyl. hold down	24																	
9	72918	BAFFLE ASSY., Intercylinder					4	4									4	4		
	74718	BAFFLE ASSY., Intercylinder			4	4					4	4	4	4	4					
10	71610	HOOK, Intercylinder baffle retainer	4																	
11	71611	RETAINER, Intercylinder baffle	4																	
12	65614	PLUG, Baffle attaching			4	4					4	4	4	4	4					
13	STD-251	WASHER, No.10 lock, internal teeth			4	4					4	4	4	4	4					
14	STD-1686	SCREW, No.10-32 x 7/16 fill. hd.			4	4					4	4	4	4	4					
15	72834	COVER, Baffle ignition cable hole			4	4	4	4					4	4				4		
16	STD-692	SCREW, No.10-32 x 1/2 long, rd. hd.			8	8	8	8					8	8				8		
17	STD-670	NUT, No.10-32 self-locking			8	8	8	8					8	8						



2388

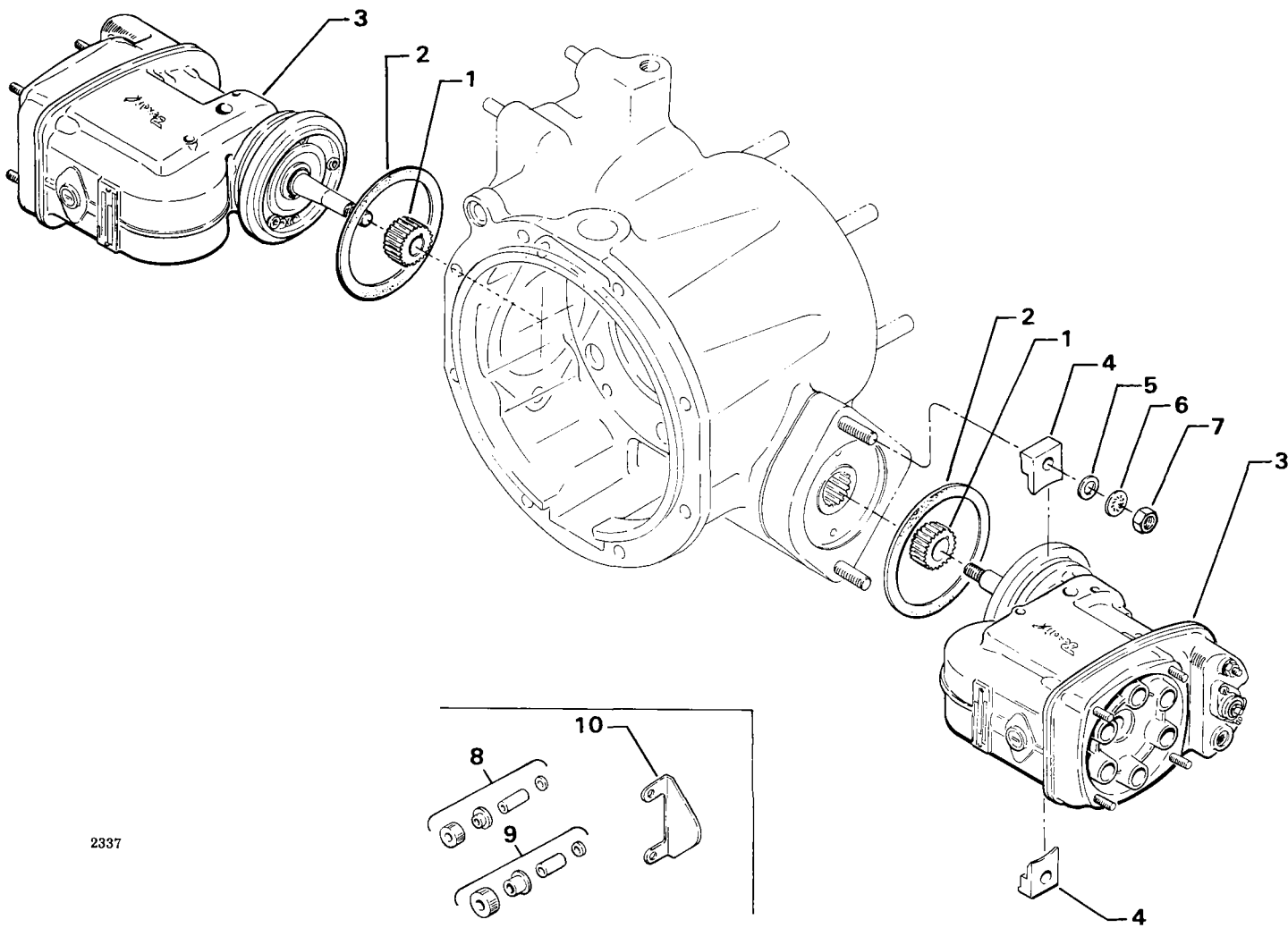
Figure 23. Cylinder Head Drain and Intercylinder Cooling Baffles

AVCO LYCOMING IGO and IGSO-540 PARTS CATALOG

IGNITION SYSTEM MAGNETOS

FIG. REF.	PART NUMBER	DESCRIPTION	ON ALL	QUANTITY PER ASSEMBLY															
				IGO-540				IGSO-540											
				A1A	A1C	B1A	B1C	A1A	A1C	A1D	A1E	B1A	B1C						
24																			
1	60971	COUPLING, Magneto spline	2																
2	62224	GASKET, Magneto		2	2	2				2	2					2			
	LW-12681	GASKET, Magneto				2	2						2	2	2		2		
3	LW-163010-1	MAGNETO, S6RN-200,retard breaker		1		1	1												
	LW-163050-7	MAGNETO, S6RN-204		1		1	1												
	LW-349290-3	MAGNETO, S6RN-1208,retard breaker				1							1	1	1		1		
	LW-349310-4	MAGNETO, S6RN-1209				1							1	1	1		1		
	LW-209310-1	MAGNETO, S6RN-600,retard breaker								1	1						1		
	LW-209350-2	MAGNETO, S6RN-604								1	1						1		
4	75965	CLAMP, Magneto				4							4	4	4		4		
5	STD-1727	WASHER, Plain,3/4 OD x 11/32 ID x 1/8 thick				4	4	4					4	4			4		
6	STD-475	WASHER, 5/16 lock,internal teeth	4										4	4					
7	STD-37	NUT, 5/16 plain	4																
8	LW-157209	KIT, Magneto ground terminal		2		2	2			2	2						2		
9	LW-157208	KIT, Magneto retard terminal		1		1	1			1	1						1		
10	74073*	VENT SHIELD, Mag.breaker hsg.		2		2	2			2	2						2		

* - Assemble in magneto.



2337

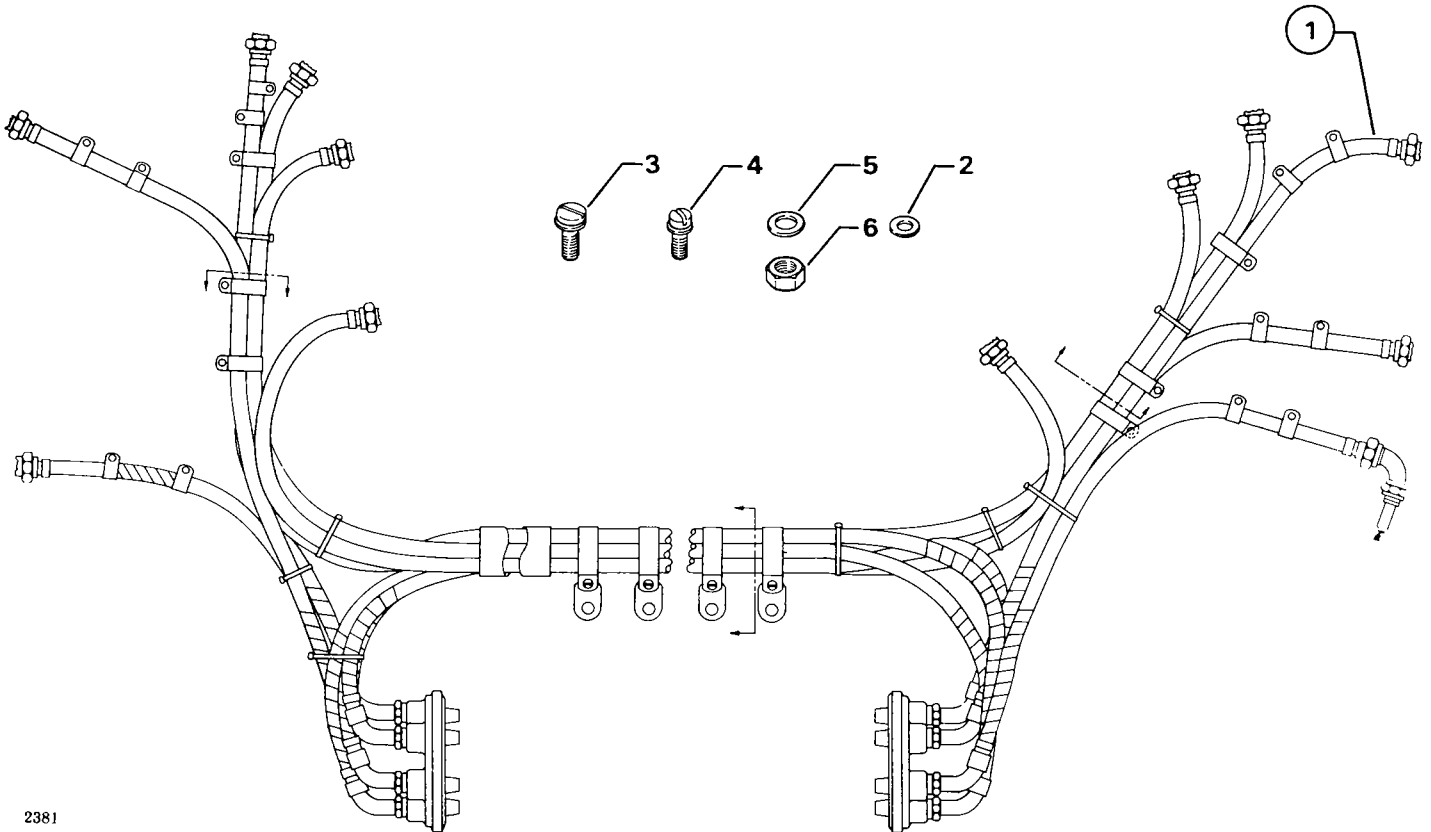
Figure 24.

AVCO LYCOMING IGO and IGSO-540 PARTS CATALOG

IGNITION SYSTEM IGNITION HARNESS AND LEAD ASSEMBLIES (CO-OP)

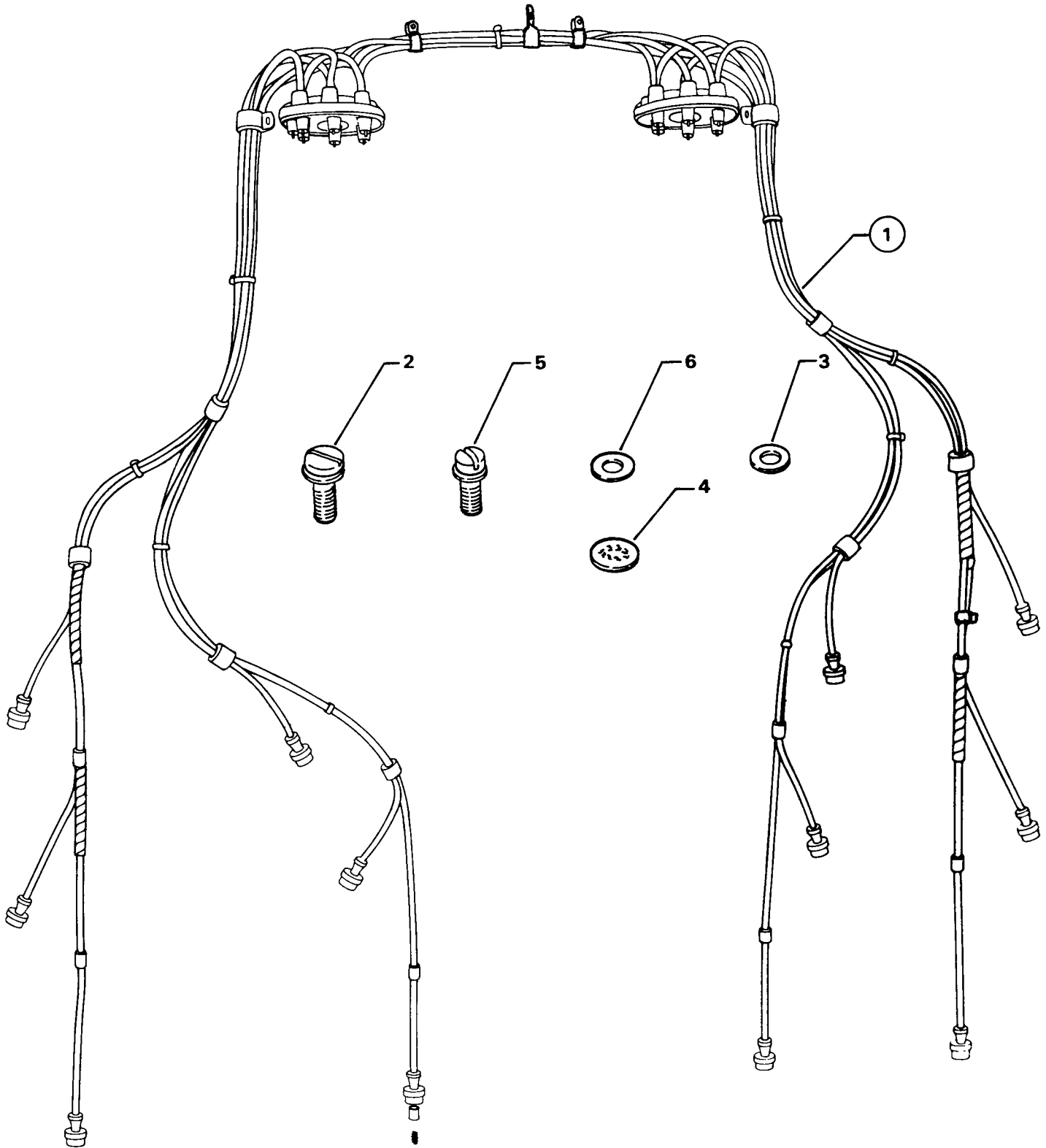
FIG. REF.	PART NUMBER	DESCRIPTION	ON ALL	QUANTITY PER ASSEMBLY														
				IGO-540						IGSO-540								
				A7A	A7C	B7A	B7C			A7A	A7C	A7D	A7E	B7A	B7C			
25																		
1	79009	HARNESS ASSY., Ignition													1	1	1	
2	STD-8	WASHER, 1/4 plain													36	36	36	
3	STD-1925	SCREW, 1/4-20 x 5/8 long, pan. hd., self-locking													6	6	6	
4	STD-1874	SCREW, 1/4-20 x 7/8 long, fill. hd., self-locking													12	12	12	
5	STD-33	WASHER, 3/8 plain													4	4	4	
6	STD-2045	NUT, 3/8-24 self-locking													4	4	4	
*	64782	LEAD ASSY., Replacement, 1B, 3B, 4B, 5B, 6B, 1T													un	un	un	
*	64847	LEAD ASSY., Replacement, 2B													un	un	un	
*	64784	LEAD ASSY., Replacement, 2T													un	un	un	
*	64785	LEAD ASSY., Replacement, 3T, 4T, 5T, 6T													un	un	un	

* - Replacement lead assemblies have spark plug terminal end assembled and are supplied with necessary parts to complete magneto end assembly after being cut to proper length.



2381

Figure 25.



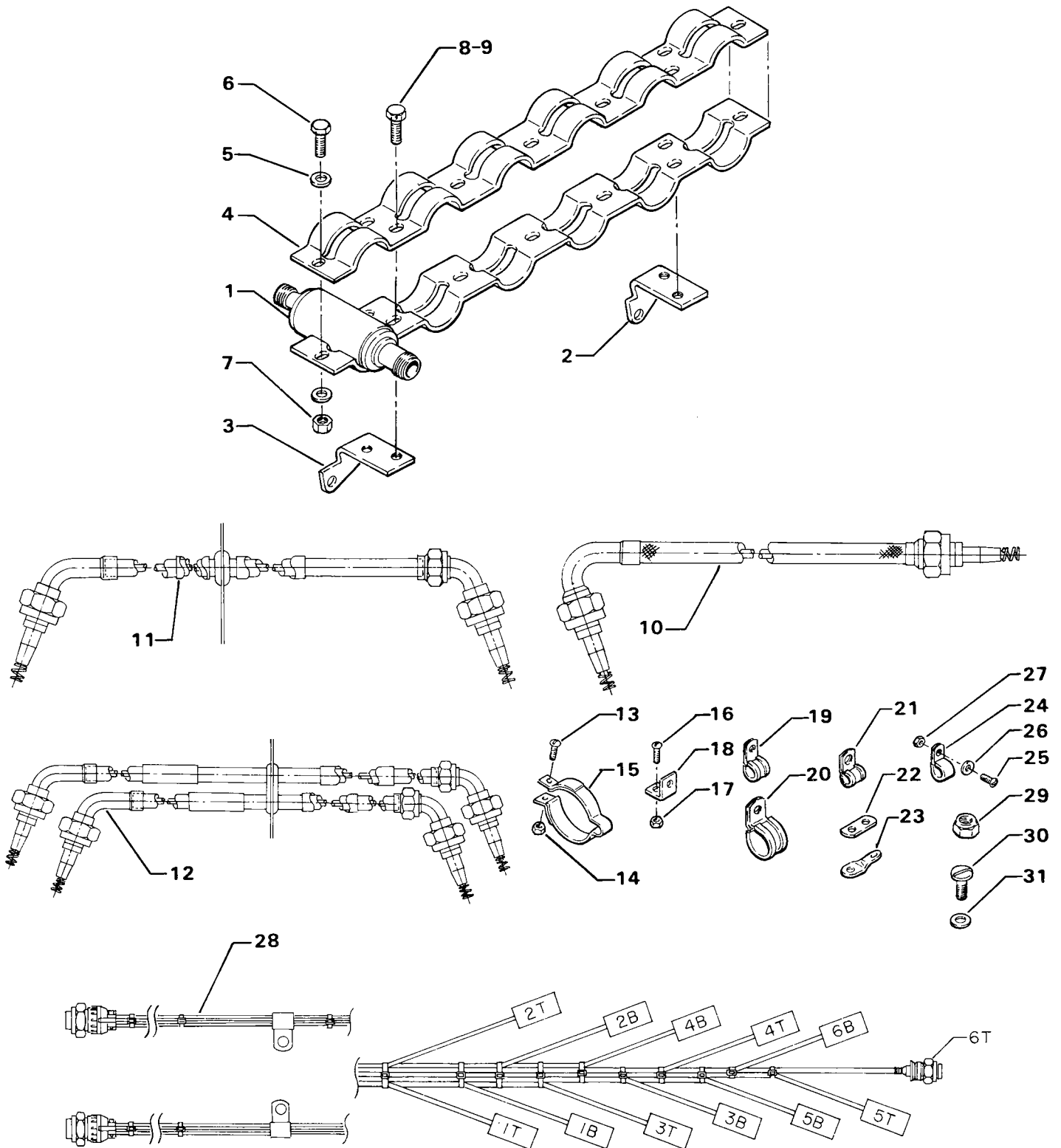
2282

Figure 26 - Ignition Harness and Lead Assemblies (Scintilla)

AVCO LYCOMING IGO and IGSO-540 PARTS CATALOG

IGNITION SYSTEM IGNITION HARNESS AND LEAD ASSEMBLIES (HIGH TENSION)

FIG. REF.	PART NUMBER	DESCRIPTION	ON ALL	QUANTITY PER ASSEMBLY																										
				IGO-540							IGSO-540																			
				A	A	B	B	C	C	C	A	A	B	B	C	C	C													
27																														
	1	73860	COIL ASSY., Ignition													12	12													
	2	72751	BRACKET, Ignition coil clamp,rear													2	2													
	3	72750	BRACKET, Ignition coil clamp,front													2	2													
	4	73858	CLAMP, Ignition coil													4	4													
	5	STD-8	WASHER, 1/4 plain													20	20													
	6	STD-2155	BOLT, 1/4-28 x 21/32 long,hex.hd.													10	10													
	7	STD-673	NUT, 1/4-28 self-locking													10	10													
	8	STD-1236	BOLT, 1/4-20 x 21/32 long,hex.hd.dr.																											
	9	AN4H5A	BOLT, 1/4-28 UNF-3A x 21/32 long													8	8													
	10	LW-720193-112	LEAD ASSY., Spark plug (high tension) all top leads																											
		73378	LEAD ASSY., Spark plug (high tension) all top leads													6	6													
	11	LW-720525-102	LEAD ASSY., Spark plug (high tension) 1B,6B																											
		73380	LEAD ASSY., Spark plug (high tension) 1B,6B																											
		73905	LEAD ASSY., Spark plug (high tension) 1B,6B													2	2													
	12	LW-720530-101	LEAD ASSY., Spark plug (high tension) 2B,3B,4B,5B																											
		73379	LEAD ASSY., Spark plug (high tension) 2B,3B,4B,5B																											
		73904	LEAD ASSY., Spark plug (high tension) 2B,3B,4B,5B													4	4													
	13	STD-692	SCREW, No.10-32 x 1/2 long,rd.hd.													8	8													
	14	STD-670	NUT, No.10-32 self-locking													8	8													
	15	71911	CLAMP, 1-3/4 ID with 7/16 dia.offset													6	6													
	16	STD-553	SCREW, No.6-32 x 1/2 long,rd.hd.													6	6													
	17	AN365-632A	NUT, No.6-32 self-locking													6	6													
	18	73638	BRACKET, Clamp support													6	6													
	19	LW-16266-10-25	CLAMP, Support (cushioned)																											
	20	LW-16266-10-75	CLIP, 3/4 ID for no.10 screw																											
		LW-16266-10-75	CLAMP, Ignition harness (at shroud tube)																											
	21	LW-16266-25-25	CLIP, 1/4 ID for 1/4 dia.screw																											
	22	73637	BRACKET, Clamp spacer																											
	23	73743	BRACKET, 30° twist																											
	24	73745	CLIP, Ignition cable (1 wire)																											
	25	STD-692	SCREW, No.10-32 x 1/2 long,rd.hd.																											
		STD-692	SCREW, No.10-32 x 1/2 long,rd.hd.																											
	26	STD-251	WASHER, No.10 lock																											
	27	STD-670	NUT, No.10-32 self-locking																											
		STD-670	NUT, No.10-32 self-locking																											
	28	LW-320046-10	IGNITION HARNESS, Low tension													1	1													
	29	STD-2045	NUT, 3/8-24 self-locking													2	2													
	30	STD-1925	SCREW, 1/4-20 x 5/8 long,pan.hd., self-locking																											
	31	STD-696	WASHER, 1/4 plain (thin)													un	un													



2380

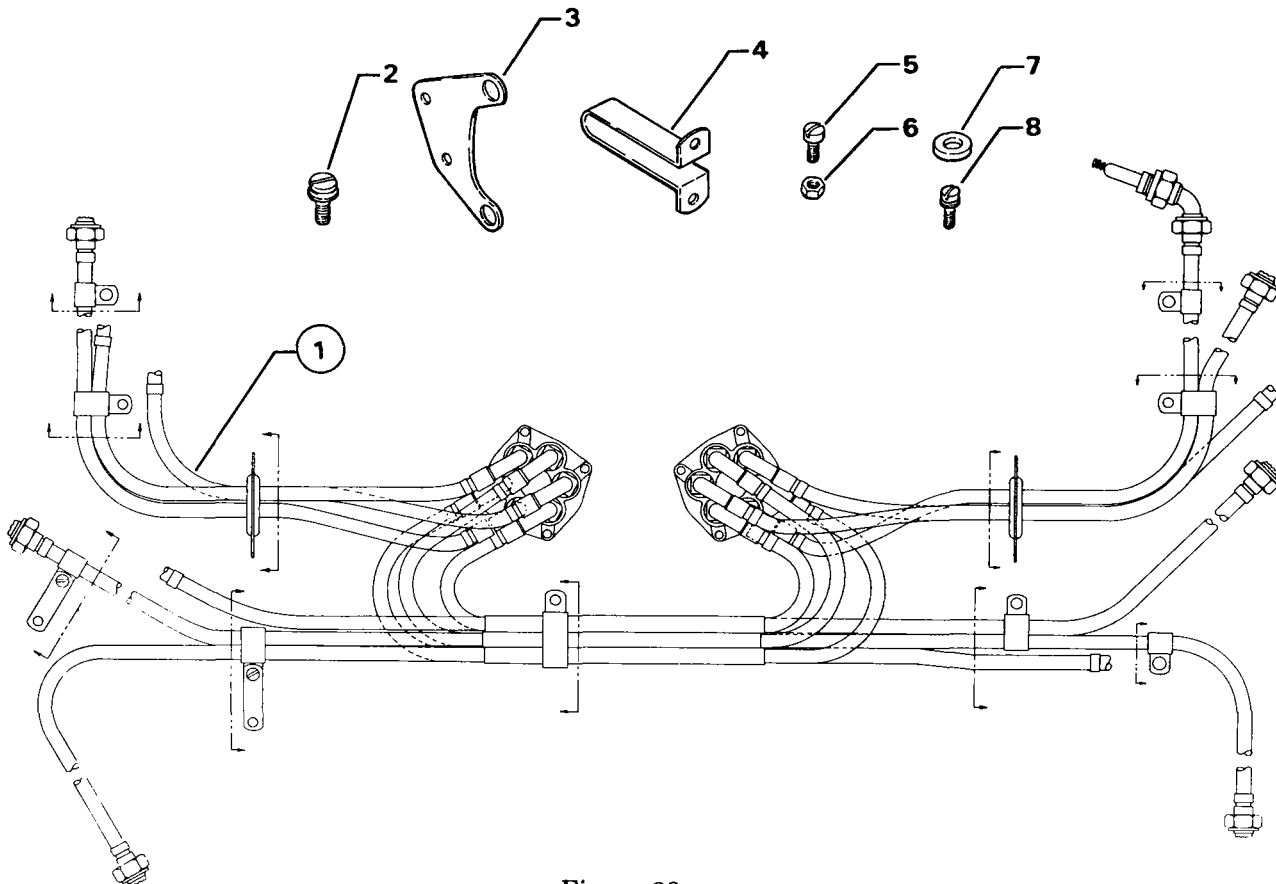
Figure 27 - Ignition Harness and Lead Assemblies (High Tension)

AVCO LYCOMING IGO and IGSO-540 PARTS CATALOG

IGNITION SYSTEM IGNITION HARNESS AND LEAD ASSEMBLIES

FIG. REF.	PART NUMBER	DESCRIPTION	ON ALL	QUANTITY PER ASSEMBLY														
				IGO-540						IGSO-540								
				A	B	C				A	B	C						
28																		
1	73866	CABLE ASSY., Ignition, shielded					1	1										
2	STD-1925	SCREW, 1/4-20 x 5/8 long, pan. hd., self-locking					2	2										
3	74310	BRACKET, Ignition harness clamp					1	1										
4	74311	CLAMP, Ignition harness					1	1										
5	STD-1686	SCREW, No. 10-32 x 7/16 long, fill. hd.					2	2										
6	STD-670	NUT, No. 10-32 self-locking					2	2										
7	511	SPACER, Thrust bearing cap nut					2	2										
8	72351	SCREW, No. 10-32 self-locking					8	8										
*	59568	LEAD ASSY., Replacement, 1T					un	un										
*	59569	LEAD ASSY., Replacement, 2T					un	un										
*	59570	LEAD ASSY., Replacement, 3T					un	un										
*	59571	LEAD ASSY., Replacement, 4T					un	un										
*	59572	LEAD ASSY., Replacement, 5T					un	un										
*	59573	LEAD ASSY., Replacement, 6T					un	un										
*	59574	LEAD ASSY., Replacement, 1B					un	un										
*	59575	LEAD ASSY., Replacement, 2B					un	un										
*	59576	LEAD ASSY., Replacement, 3B					un	un										
*	59577	LEAD ASSY., Replacement, 4B					un	un										
*	59578	LEAD ASSY., Replacement, 5B					un	un										
*	59579	LEAD ASSY., Replacement, 6B					un	un										

* - Replacement lead assemblies have spark plug terminal end assembled and are supplied with necessary parts to complete magneto end assembly after being cut to proper length.



2383

Figure 28.

AVCO LYCOMING IGO and IGSO-540 PARTS CATALOG

IGNITION SYSTEM SPARK PLUGS

FIG. REF.	PART NUMBER	DESCRIPTION	ON ALL	QUANTITY PER ASSEMBLY															
				IGO-540								IGSO-540							
				A	B	C						A	B	C	D	E	F	G	H
29																			
1	1182-Y3	SPARK PLUG, Champion (RHB-36P)	12																
	1182-K4	SPARK PLUG, Champion (RHB-36W)												12					
	1182-U5	SPARK PLUG, Champion (RHB-32E)												12					

NOTE

The above spark plugs are those used in current production only; this list does not include additional spark plugs that are approved for use in these engines. See latest edition of Service Instruction No. 1042 for complete listing of all approved spark plugs.

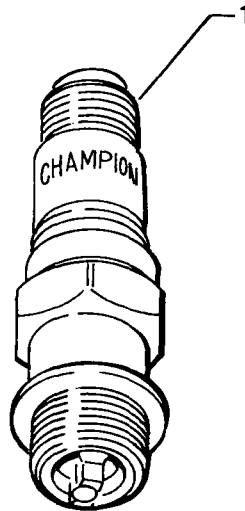
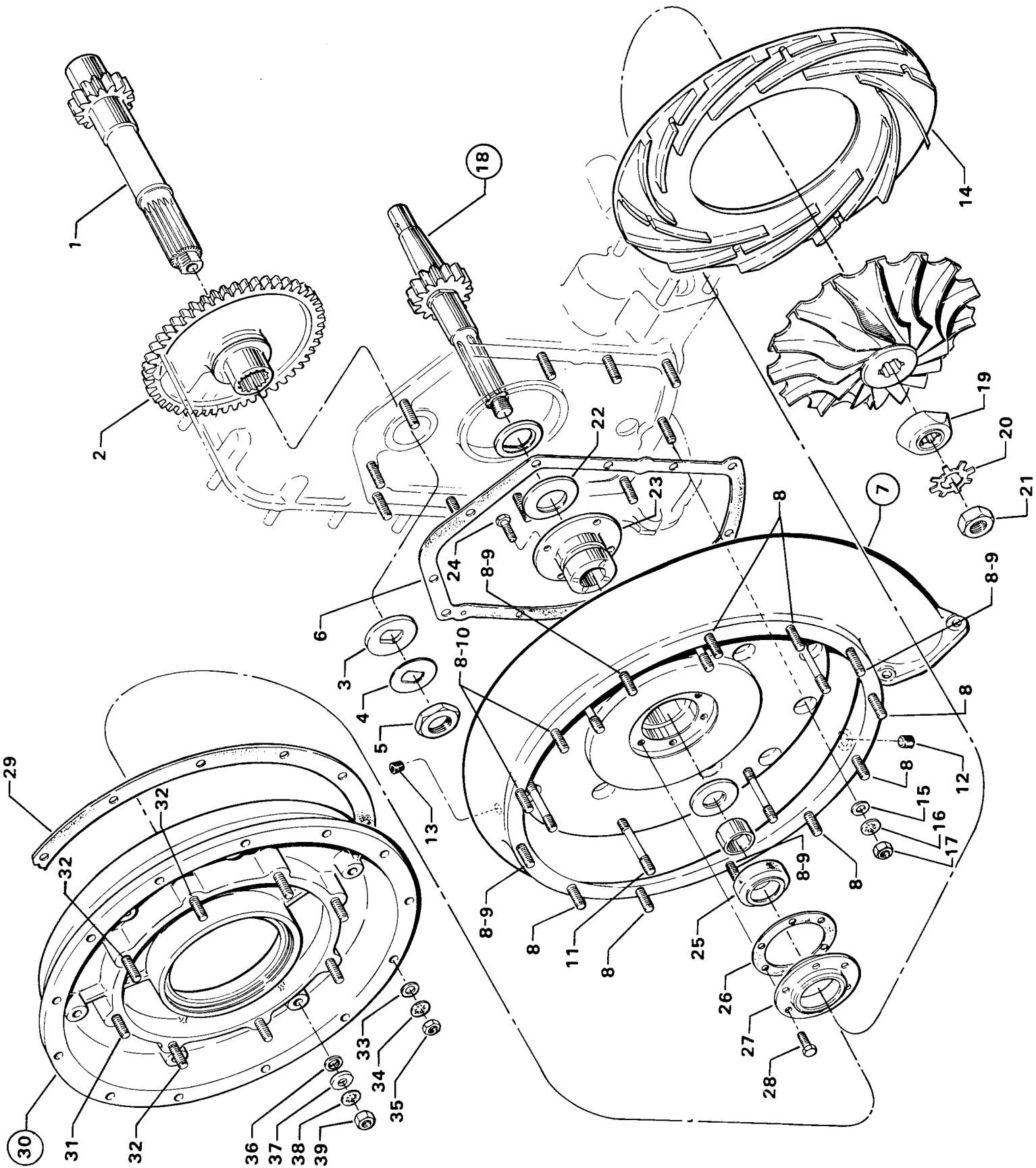


Figure 29.



2351

Figure 30 - Supercharger and Impeller Assembly

AVCO LYCOMING IGO and IGSO-540 PARTS CATALOG

SUPERCHARGER SYSTEM AIR INLET HOUSING ASSEMBLIES

FIG. REF.	PART NUMBER	DESCRIPTION	ON ALL	QUANTITY PER ASSEMBLY																	
				IGO-540						IGSO-540											
				A/A	A/B	B/C	B/C			A/A	A/B	A/D	A/E	H/D	H/C						
31																					
1	AN124001	SEAL, 3-7/8 ID x 4-1/8 OD x 9/64 section											1	1	1	1	1	1			
2	73980	HOUSING ASSY., Supercharger air inlet											1	1							
	74152	HOUSING ASSY., Supercharger air inlet												1	1	1					
3	MS124776	INSERT, Heli-coil 1/4-28 x 5/8 long											2	2	2	2	2				
4	STD-1315	INSERT, Heli-coil 1/4-28 x 1/2 long												1	1	1					
5	31-14	STUD, 5/16-18 x 1-3/4 long											4	4	4	4	4				
6	74610	HOUSING AND VALVE ASSY., Supercharger air inlet																1	1		
7	72799	BUSHING, 1/2 ID x 5/8 OD x 1/2 long																2	2		
8	STD-1877	INSERT, 3/4-16 NF-3 Heli-coil x 1/2 long																1	1		
9	72185	SHAFT, Throttle valve																1	1		
10	72186	VALVE, Air throttle																1	1		
11	AN935-8L	LOCKWASHER, No.8																2	2		
12	72798	SCREW, No.8-32 x 15/32 long, fill.hd.																2	2		
13	72015	STOP, Throttle																1	1		
14	72895	SPACER, Throttle lever																1	1		
15	STD-1745	PIN, 1/8 dia.x 3/4 long																2	2		
16	72878	LEVER, Throttle																1	1		
17	STD-82	SCREW, No.10-24 x 1/2 long, fill.hd.dr.																1	1		
18	STD-1896	SCREW, No.10-24 x 7/8 long, fill.hd.dr.																1	1		
19	STD-1756	WASHER, 3/16 ID x 3/4 OD x 11/32 thick																1	1		
20	74599	PLATE, Throttle lever stop																1	1		
21	72017	SPRING, Throttle stop adjusting																1	1		
22	72016	SCREW, Throttle stop adjusting																1	1		
23	STD-8	WASHER, 1/4 plain											7	8	7	8	8	7	7		
24	STD-160	WASHER, 1/4 lock,internal teeth											7	8	7	8	8	7	7		
25	STD-9	NUT, 1/4-28 plain											7	8	7	8	8	7	7		

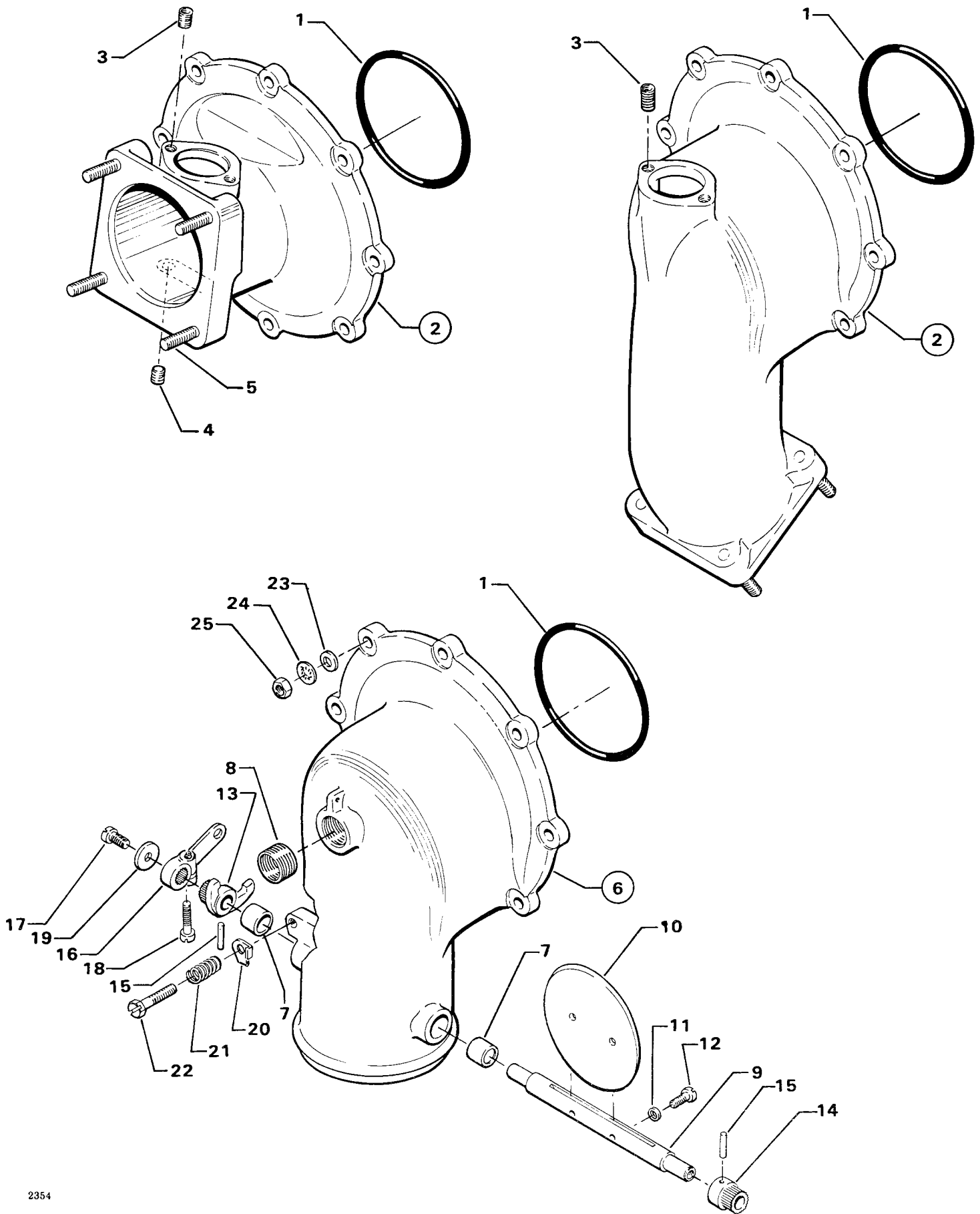
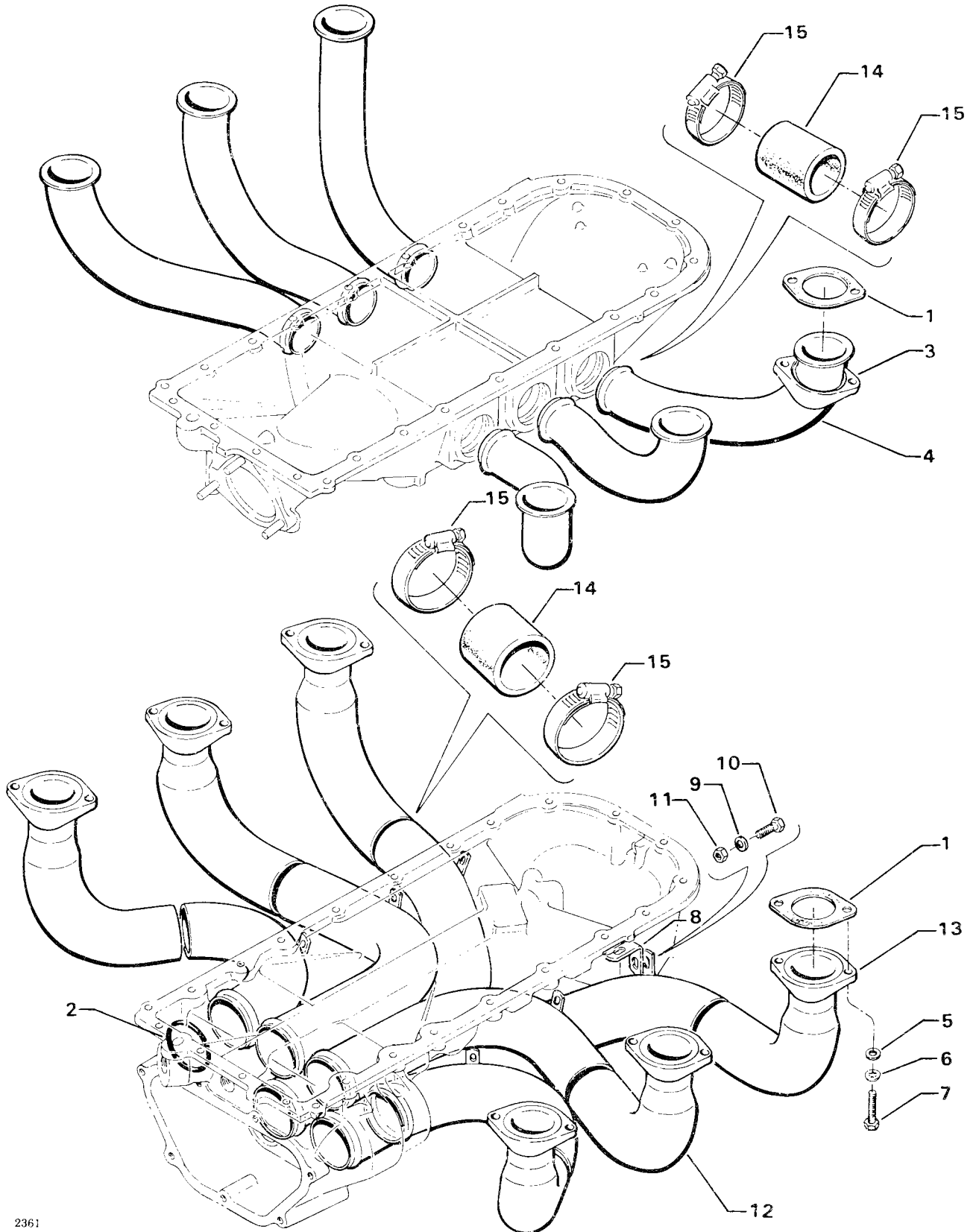


Figure 31 - Air Inlet Housing Assemblies



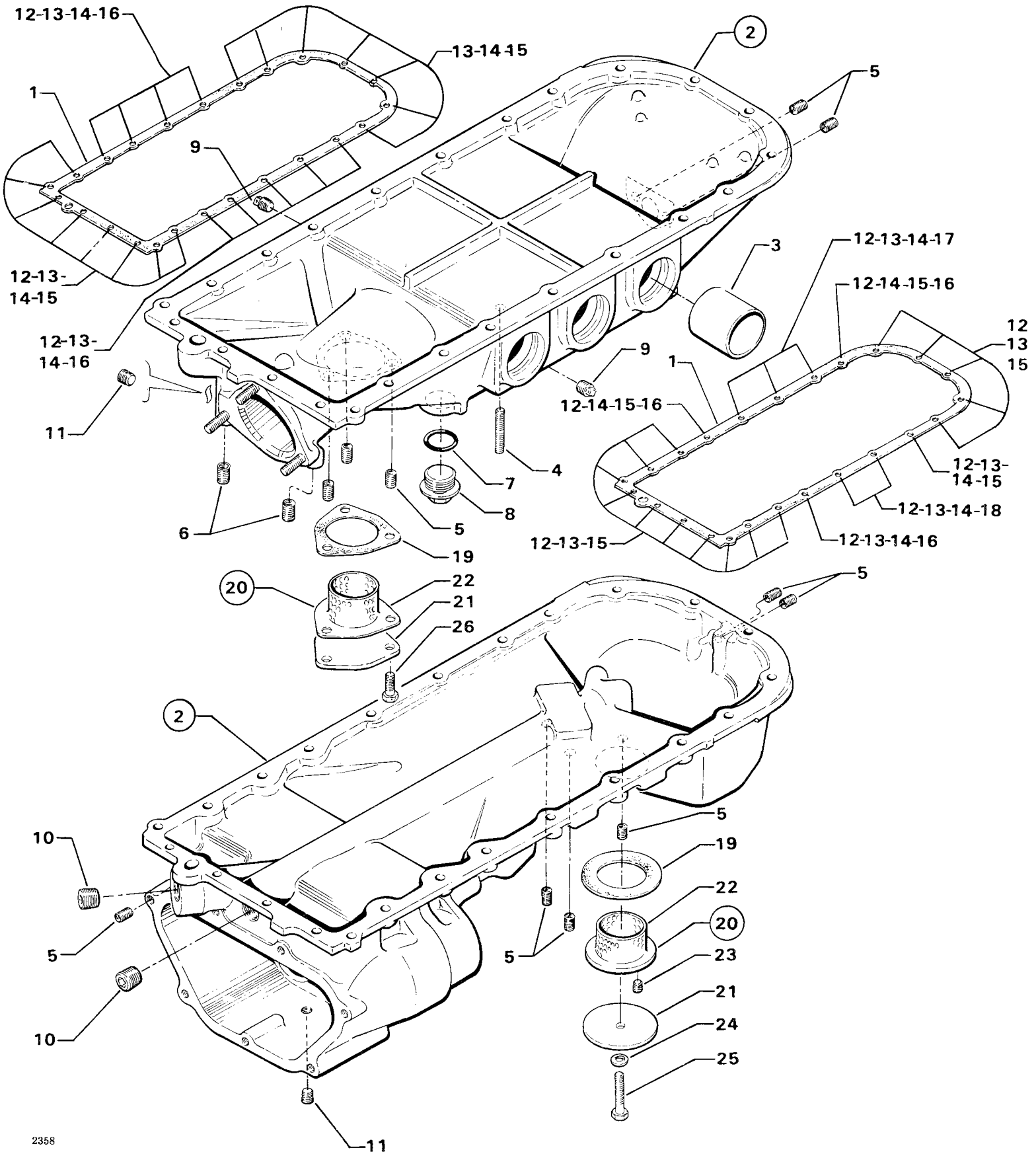
2361

Figure 32 - Intake Pipe Assembly

AVCO LYCOMING IGO and IGSO-540 PARTS CATALOG

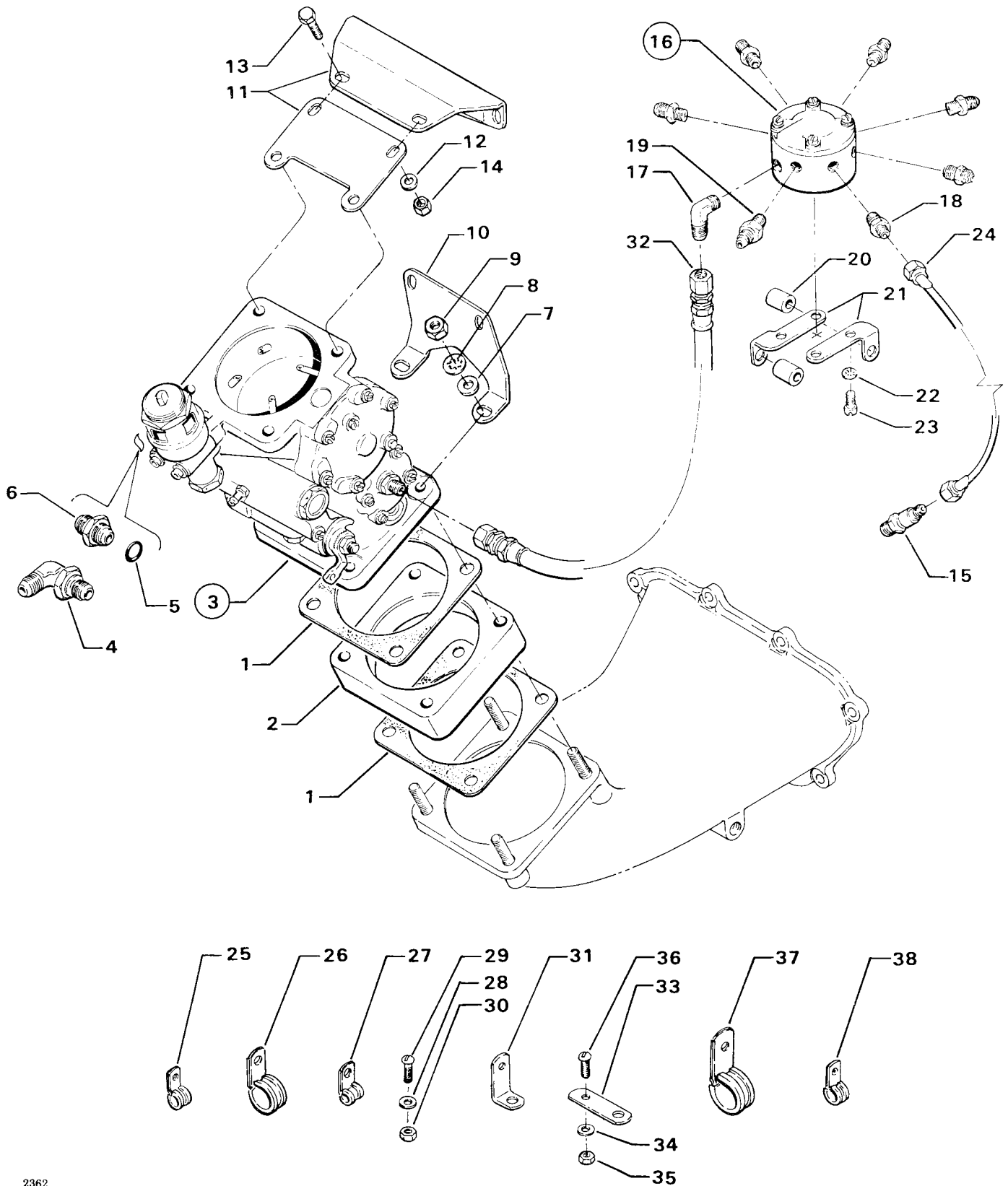
OIL SUMP AND INDUCTION SYSTEM OIL SUMP ASSEMBLY AND OIL SCAVENGE SCREEN

FIG. REF.	PART NUMBER	DESCRIPTION	ON ALL	QUANTITY PER ASSEMBLY														
				IGO-540						IGSO-540								
				A	B	C	A	B	C	A	B	C	A	B	C			
33																		
1	68172	GASKET, Oil sump	1															
2	73022	SUMP ASSY., Oil		1	1	1	1											
	72595	SUMP ASSY., Oil						1	1	1	1	1	1	1				
3	69602	CONNECTION, Intake pipe		6	6	6	6											
4	25-13	STUD, 1/4-20 x 1-5/8 long		4	4	4	4											
5	STD-1173	INSERT, 1/4-20 Heli-coil x 1/2 long		12	12	12	12	5	5	5	5	5	5	5				
6	STD-1832	INSERT, 5/16-34 Heli-coil x 5/8 long		2	2	2	2											
7	STD-111	GASKET, 1.00 ID x 1-1/4 OD x 3/32 annular						1	1	1	1	1	1	1				
8	69335	PLUG, 5/8 hex.hd.,1.00-20 thd.						1	1	1	1	1	1	1				
9	STD-550	PLUG, 1/4 NPT sq.hd.(drilled)						2	2	2	2	2	2	2				
10	STD-91	PLUG, 1/2-14 NPT,Allen hd.		2	2	2	2											
11	1102	PLUG, 1/8 pipe x 3/8 long	1															
12	STD-8	WASHER, 1/4 plain		28	28	28	28	34	34	34	34	34	34	34				
13	STD-160	WASHER, 1/4 lock,internal teeth	24															
14	STD-9	NUT, 1/4-28 plain	10															
15	STD-1679	BOLT, 1/4-28 x 1.00 long,hex.hd.	14															
16	AN4-12A	BOLT, 1/4-28 x 1-9/32 long,hex.hd.		3	3	3	3	10	10	10	10	10	10	10				
17	AN4-14A	BOLT, 1/4-28 x 1-17/32 long,hex.hd.		6	6	6	6											
18	AN4-15A	BOLT, 1/4-28 x 1-21/32 long,hex.hd.		1	1	1	1											
19	73288	GASKET, Oil scavenge screen retainer		1	1	1	1											
	68192	GASKET, Oil scavenge screen retainer						1	1	1	1	1	1	1				
20	73289	SCREEN ASSY., Oil scavenge pump		1	1	1	1											
	68198	SCREEN ASSY., Oil scavenge pump						1	1	1	1	1	1	1				
21	73290	RETAINER, Oil scavenge pump screen		1	1	1	1											
	68191	RETAINER, Oil scavenge screen						1	1	1	1	1	1	1				
22	73291	SCREEN, Oil scavenge pump		1	1	1	1											
	67696	SCREEN, Oil scavenge pump						1	1	1	1	1	1	1				
23	1102	PLUG, 1/8-27 NPT,Allen		1	1	1	1											
24	STD-1880	WASHER, 1/4 dia.seal		1	1	1	1											
25	STD-1881	SCREW, 1/4-20 x 1-7/8 long,drilled hd.		1	1	1	1											
26	LW-25H.75	SCREW, 1/4-20 x 3/4 long,drilled hd.						3	3	3	3	3	3	3				



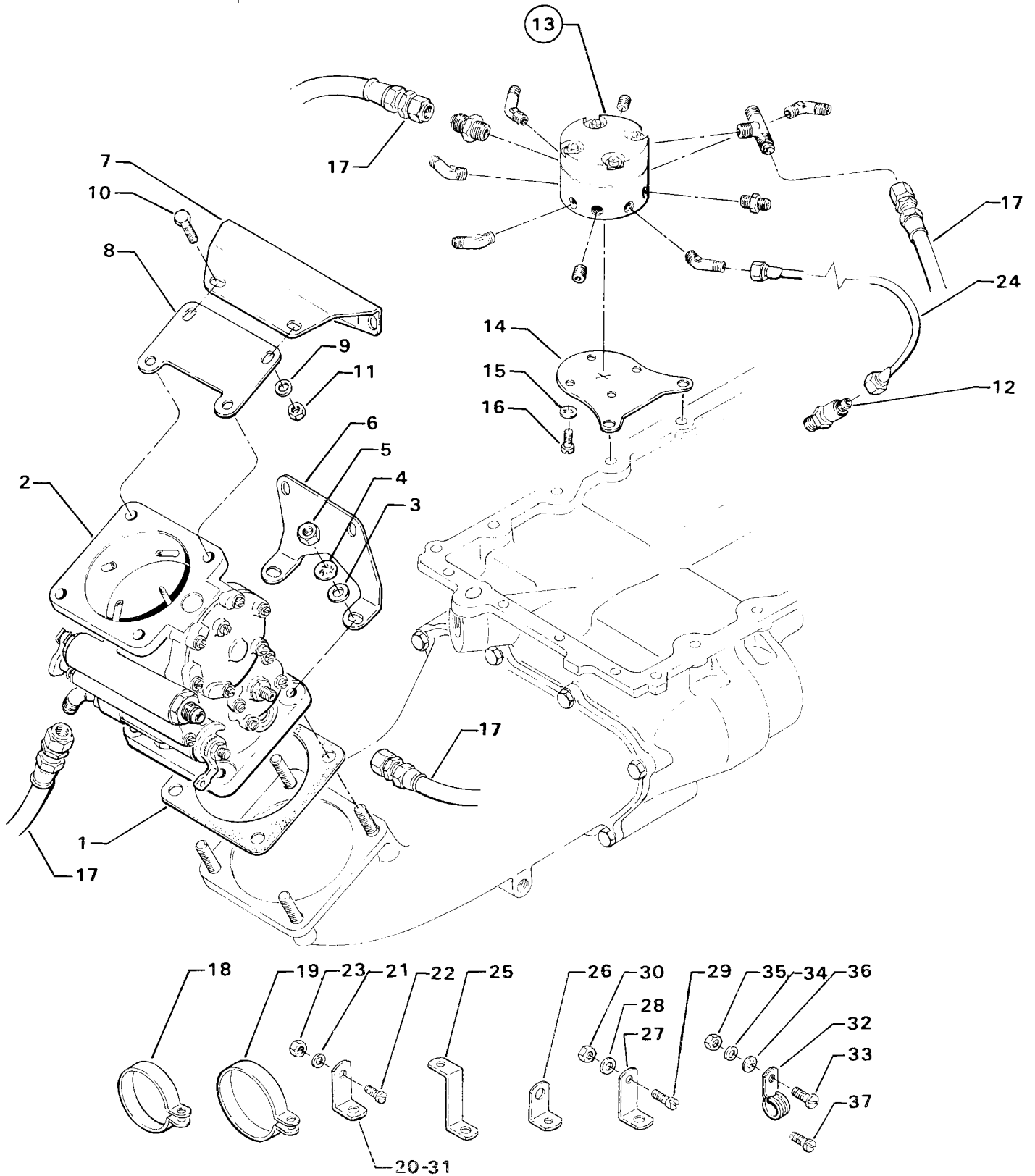
2358

Figure 33 - Oil Sump Assembly and Oil Scavenge Screen



2362

Figure 34 - Fuel Injector and Fuel Manifold Assembly (IGO-540-A1A, -A1C)



2366

Figure 35 - Fuel Injector and Fuel Manifold Assembly (IGO-540-B1A, -B1C)

AVCO LYCOMING IGO and IGSO-540 PARTS CATALOG

OIL SUMP AND INDUCTION SYSTEM FUEL INJECTOR AND MODULATOR ASSEMBLY (IGSO-540-A)

FIG. REF.	PART NUMBER	DESCRIPTION	ON ALL	QUANTITY PER ASSEMBLY													
				IGO-540							IGSO-540						
				A1A	A1C	B1A	B1C				A1A	A1C	A1D	A1E	B1A	B1C	
36																	
1	73032	GASKET, Air inlet								1	1	1	1	1			
2	LW-12209	FUEL INJECTOR, Bendix (2524014-8)								1	1	1	1				
	LW-12208	FUEL INJECTOR, Bendix (2524367-2)											1				
	LW-14042	FUEL INJECTOR, Bendix (2524665-1)												1			
	LW-14554	FUEL INJECTOR, Bendix (2524696-1)											1				
3	72377	ELBOW, 3/8 tubing,adjustable 90°								1	1	1	1	1			
4	STD-35	WASHER, 5/16 plain								4	4	4	4	4			
5	STD-475	WASHER, 5/16 lock,internal teeth								4	4	4	4	4			
6	STD-37	NUT, 5/16-24 plain								4	4	4	4	4			
7	73612	GASKET, Injection nozzle								1	1	1	1	1			
8	73945	NOZZLE ASSY., Injection								1	1						
	74405	NOZZLE ASSY., Injection									1						
	76440	NOZZLE ASSY., Injection											1	1			
	LW-11909	NOZZLE ASSY., Injection											1				
9	73944	ELBOW, 1/4 tubing,adjustable 45°								1	1	1	1	1			
10	72377	ELBOW, 3/8 tubing,adjustable 90°								1		1	1				
	74070	ELBOW, 3/8 tubing,adjustable 45°									1		1	1			
11	MS29512-4	SEAL, Oil,1/16 dia.section x 11/32 ID									1						
12	AN815-4	UNION, Flared tube,1/4 tubing									1						
13	STD-8	WASHER, 1/4 plain								2	2	2	2	2			
14	STD-160	WASHER, 1/4 lock,internal teeth								2	2	2	2	2			
15	STD-1879	BOLT, 1/4-28 x 2-1/8 long,hex.hd.								2	2	2	2	2			
16	74069	BRACKET, Flowmeter								1	1	1	1				
17	74133	MODULATOR ASSY., Flowmeter								1		1					
	74148	MODULATOR ASSY., Flowmeter									1		1				
18	74070	ELBOW, 3/8 tubing,adjustable 45°								1		1					
	72377	ELBOW, 3/8 tubing,adjustable 90°								1	2	1	2				
19	STD-82	SCREW, No.10-24 x 1/2 long,fill.hd.dr.								4	4	4	4				
20	LW-12799-6S113	HOSE, Inj.to flowmeter,fuel outlet								1		1					
	LW-13182-6-094	HOSE, Inj.to flowmeter,fuel outlet									1		1				
	LW-12799-6S094	HOSE, Inj.to flowmeter,fuel outlet											1				
21	LW-16266-25-75	CLIP, 3/4 ID (cushion type) 1/4 dia. hole								1		1	1				
22	LW-16266-25-50	CLIP, 1/2 ID (cushion type) 1/4 dia. hole									1		1				
23	STD-1084	SCREW, 1/4-28 x 5/8 long,fill.hd.dr.									1		1				
24	LW-12876-4S062	HOSE, Filter to injector,servo return								1		1					
	LW-13184-4-075	HOSE, Filter to injector,servo return									1		1	1			
	LW-16140-4S075	HOSE, Filter to injector,servo return											1				
25	LW-16266-25-63	CLAMP								1	1	1	1	1			
26	LW-12798-4S044	HOSE ASSY., Nozzle to filter								1		1					
	LW-13178-4-032	HOSE, Nozzle to filter									1		1	1			
	LW-12876-4S032	HOSE, Nozzle to filter											1				
27	74639	FILTER, Fuel								1	1	1	1	1			
28	74640	BRACKET, Fuel filter								1		1					
	74612	BRACKET, Fuel filter									1		1	1			
29	STD-860	SCREW, No.10-32 x 5/8 long,fill.hd.								1	1	1	1	1			
30	STD-425	WASHER, No.10 plain								1	1	1	1	1			
31	STD-670	NUT, No.10-32 self-locking								1	1	1	1	1			
32	LW-12799-6S090	HOSE, Flowmeter to nozzle								1		1					
	LW-13182-6-074	HOSE, Flowmeter to nozzle									1		1				
33	LW-14574	STRUT, Fuel injector support								1		1					
34	74054	SUPPORT, Fuel injector,upper								1		1					
35	74079	SUPPORT, Fuel injector,lower								1		1					
36	LW-14573	BRACKET, Fuel injector								1		1					

FIG. REF.	PART NUMBER	DESCRIPTION	ON ALL	QUANTITY PER ASSEMBLY																	
				IGO-540				IGSO-540													
				A1A	A1C	B1A	B1C	A1A	A1C	A1D	A1E	B1A	B1C								
36																					
37	STD-1893	SCREW, 5/16-24 x 7/8 long, hex. hd.							5	5											
38	STD-674	NUT, 5/16-24 self-locking, 11/32 thick							5	5											
39	1102	PLUG, 1/8 NPT (assemble in sump)							1	1	1	1									

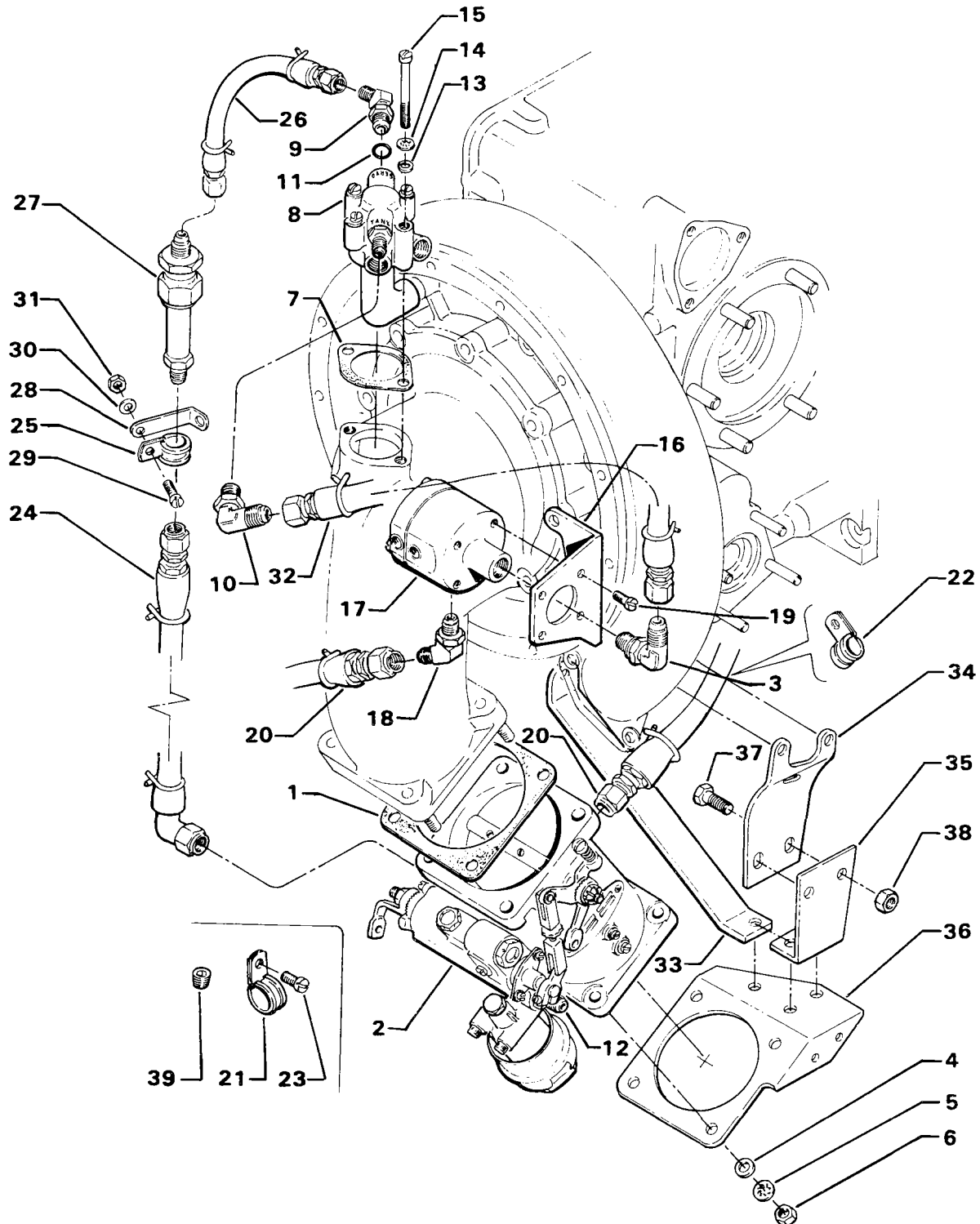
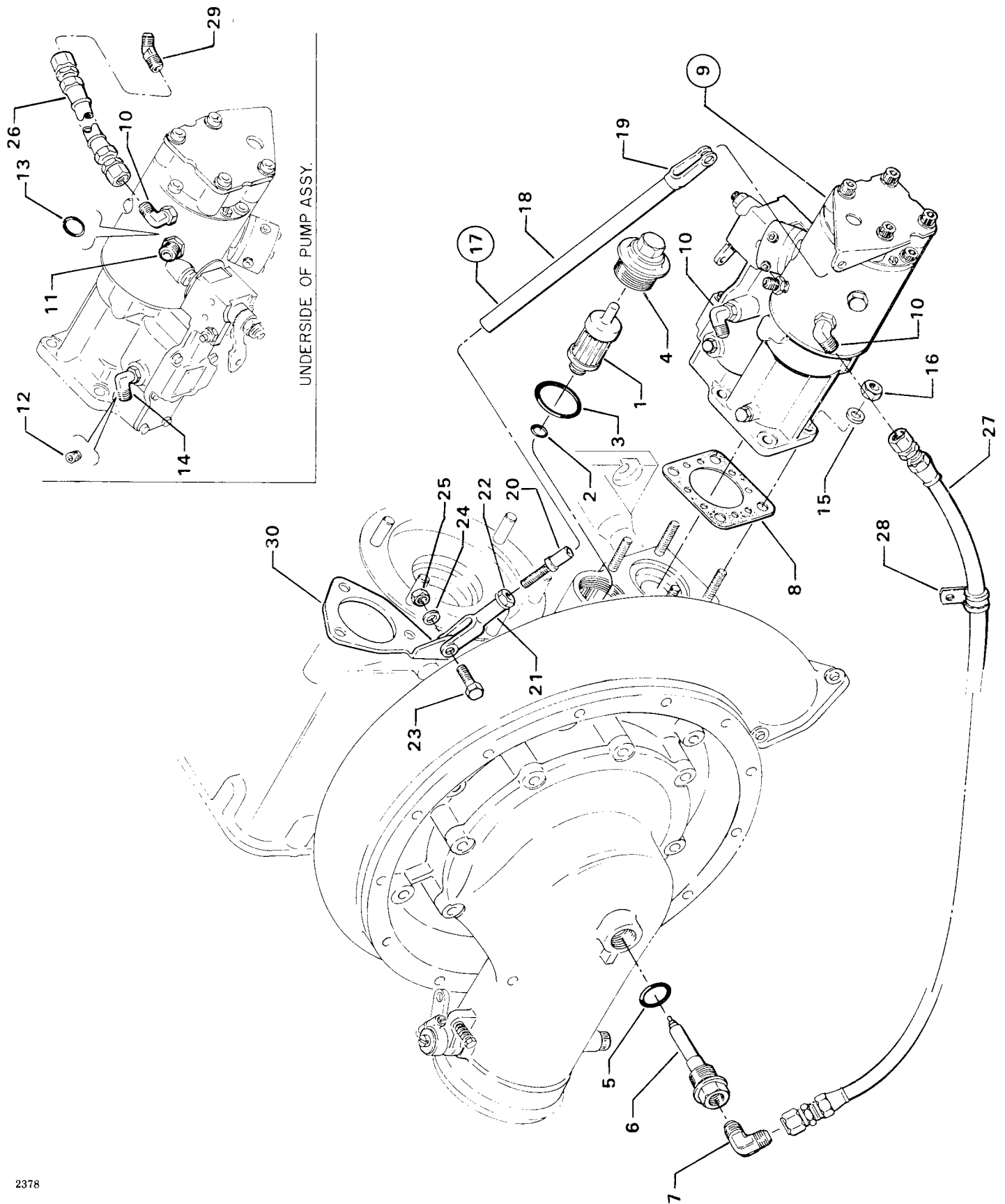


Figure 36 - Fuel Injector and Modulator Assembly (IGSO-540-A)



2378

Figure 37 - Fuel Injector Oil Filter and Pump Assembly (IGSO-540-B)

AVCO LYCOMING IGO and IGSO-540 PARTS CATALOG

SECTION 8 SERVICE KIT SECTION

SEAL AND GASKET SET IGO-540-B Series

PART NUMBER	DESCRIPTION	QTY. PER ENG.
73345-1	SEAL AND GASKET SET	1
72075	RING, Oil seal (between crankcase halves)	8
STD-1441	GASKET, Annular (assemble in head)	6
66732	GASKET, Valve rocker shaft cover	12
71450	GASKET, Rocker box cover	6
71481	RING, Oil seal (cylinder base)	6
71973	GASKET, Intake pipe flange	6
72982	RING, Seal (intake pipes)	2
72983	RING, Seal (intake pipes)	4
74822	GASKET, Reduction gear housing	1
STD-994	RING, Oil seal	1
67914	GASKET, Oil retaining housing	1
72745	SEAL, Thrust bearing	1
72746	GASKET, Propeller governor adapter	2
72053	GASKET, Governor drive	1
72486	GASKET, Magneto drive adapter	4
STD-111	GASKET, Annular	2
68172	GASKET, Oil sump	1
73288	GASKET, Oil scavenge screen retainer	1
72468	GASKET, Reduction gear housing drain	2
73292	GASKET, Throttle body adapter	1
68174	GASKET, Accessory housing	1
STD-1708	SEAL	1
STD-213	SEAL, Oil	1
STD-547	SEAL, Oil	1
67708	GASKET, Starter drive adapter	2
STD-1702	SEAL	1
72182	RING, Oil seal	1
67633	GASKET, Starter drive pad	1
72720	GASKET, Accessory housing breather	2
LW-14199	GASKET, Accessory housing cover	1
68456	GASKET, Hydraulic and oil pump	1
STD-208	SEAL, Oil	1
AN900-28	GASKET, Annular	1
STD-351	GASKET, Annular	2
AN123908	RING, Oil seal	2
STD-294	GASKET, Annular	1
AN4047-1	GASKET, Accessory drive	2
8313	GASKET, Vacuum pump	2
20415	GASKET, Hydraulic pump	1
1691-C	GASKET, Fuel pump	1
72977	GASKET, Air throttle housing	1
62224	GASKET, Magneto	2
STD-295	GASKET, Spark plug	12
62922	SEAL, Shroud tube	24

AVCO LYCOMING IGO and IGSO-540 PARTS CATALOG

SECTION 8 SERVICE KIT SECTION

SEAL AND GASKET SET IGO-540-B Series

PART NUMBER	DESCRIPTION	QTY. PER ENG.
67204	LOCKPLATE, Crankshaft gear	1
72078	LOCKPLATE, Camshaft gear	2
74203	LOCKPLATE, Pinion cage nut	1
67642	LOCKWASHER, Accessory drive shaft	1
72437	GASKET, Super. housing	1
72091	RING, Oil seal	4
75668	GASKET	4
75233	"O" RING	24
71189	BOX, Set-up	1
74009	MAILING TUBE	1

AVCO LYCOMING IGO and IGSO-540 PARTS CATALOG

SECTION 8 SERVICE KIT SECTION

SEAL AND GASKET SET IGO-540-A; IGSO-540-A, -B Series

PART NUMBER	DESCRIPTION	QTY. PER ENG.
73203-1	SEAL AND GASKET SET	1
AN900-28	GASKET	1
AN4047-1	GASKET, Accessory drive	2
AN123029	GASKET	1
AN123908	RING, Oil seal	2
AN124001	SEAL	1
MS28775-024	SEAL, "O" ring	1
MS29512-4	SEAL	1
MS29512-6	SEAL	1
STD-111	GASKET, Annular	2
STD-208	SEAL, Oil	1
STD-213	SEAL, Oil	1
STD-294	GASKET, Annular	1
STD-295	GASKET, Spark plug	12
STD-332	CIRCLIP	1
STD-351	GASKET, Annular	2
STD-547	SEAL	1
STD-663 or AN900-7	GASKET, Annular	1
STD-994	RING, Oil seal	3
STD-1006	RING, Oil seal	1
STD-1301	RING	1
STD-1560	RING	1
STD-1702	SEAL	1
STD-1708	SEAL	1
STD-1709	CIRCLIP	1
STD-1733	RING, Oil seal	6
STD-1753	RING	2
STD-1854	WASHER	1
STD-1880	RING, Oil seal	6
1691-C	GASKET, Fuel pump	1
8313	GASKET, Vacuum pump	2
20415	GASKET, Hydraulic pump	1
62224	GASKET, Magneto	2
62922	SEAL, Shroud tube	24
66732	GASKET, Valve rocker shaft cover	12
67193	GASKET, Rocker box cover	6
67204	LOCKPLATE	1
67633	GASKET	1
67642	LOCKWASHER	1
67678	GASKET	1
67708	GASKET	2
67754	LOCKWASHER	1
67914	GASKET	1
68127	GASKET	1

AVCO LYCOMING IGO and IGSO-540 PARTS CATALOG

SECTION 8 SERVICE KIT SECTION

SEAL AND GASKET SET
IGO-540-A; IGSO-540-A, -B Series

PART NUMBER	DESCRIPTION	QTY. PER ENG.
68172	GASKET	1
68174	GASKET	1
68192	GASKET	1
68456	GASKET	1
71189	BOX	1
71450	GASKET	6
71481	RING, Seal	6
71973	GASKET	6
72053	GASKET	1
72075	SEAL, "O" ring	8
72078	LOCKPLATE	2
72091	RING, Oil seal	4
72182	RING	1
72437	GASKET	1
72468	GASKET	2
72486	GASKET	4
72720	GASKET	3
LW-14199	GASKET	1
72741	GASKET	1
72745	SEAL	1
72746	GASKET	2
72776	RING	1
72787	GASKET	1
72977	GASKET	1
72982	RING, Seal	2
72983	RING, Seal	4
73032	GASKET	1
73288	GASKET	1
73292	GASKET	1
73612	GASKET	1
74008	LOCKPLATE	1
74944	GASKET	2
74203	LOCKPLATE	1
74529	LOCKWASHER	1
74822	GASKET	1
75233	"O" RING	24
75668	GASKET	4
75968	SEAL	1
LW-10264	GASKET	1
LW-11175	GASKET	1
LW-12681	GASKET	2
75159	LOCKPLATE	3
74009	MAILING TUBE	1

AVCO LYCOMING IGO and IGSO-540 PARTS CATALOG

SECTION 8 SERVICE KIT SECTION

CYLINDER, PISTON AND RING KIT IGO-540-B Series (Up-Exhaust)

PART NUMBER	DESCRIPTION	QTY. PER ENG.
76089	CYLINDER, PISTON AND RING ASSEMBLY	1
72050	KEY, Valve	2
62922	SEAL, Shroud tube	4
66732	GASKET, Valve rocker shaft cover	2
LW-13321	SEAT, Valve spring, lower	1
LW-11796	SPRING, Valve, outer	2
69532	SEAT, Valve spring	1
LW-11797	SPRING, Valve, auxiliary	2
69235	RING, Piston, scraper	1
LW-13446 or LW-14077	PIN, Piston	1
71195	BOX, Set-up	1
71266	ROCKER ASSY., Intake valve	1
71450	GASKET, Rocker box cover	1
71481	SEAL, Cylinder base oil	1
71549	WASHER, Valve rocker thrust	2
74241	RING, Piston, top and 2nd compression	2
72198	PLUG, Piston pin	2
72242	COVER ASSY., Rocker box	1
72626	SHAFT, Valve rocker	2
LW-12702	ROCKER ASSY., Exhaust valve	1
72709	SCREW	4
72710	COVER, Valve rocker shaft	2
76187	CYLINDER ASSY., (Nitrided), long reach	1
74802 or LW-11167	VALVE, Exhaust (rotator type inconel or nimonic)	1
73112 or LW-13322	SEAT, Valve spring, lower	1
LW-10076	SEAT, Valve spring (rotator type)	1
LW-12949	VALVE, Intake	1
76258	PISTON, Cold forged	1
73857 or LW-12328	RING, Piston, oil regulating	1
MS13997-3	KEY, Valve (rotator type)	2
MS13998-3	CAP, Valve stem	1
STD-1925	SCREW	9
60828	PLUG, Piston pin	2
SSP2170	TAG	1
LW-11775	PLUG, Piston pin	2
SSP672	TAG	1
62388	CAP, Valve stem,intake	1

AVCO LYCOMING IGO and IGSO-540 PARTS CATALOG

SECTION 8 SERVICE KIT SECTION

CYLINDER, PISTON AND RING KIT IGO-540-B Series (Up-Exhaust)

PART NUMBER	DESCRIPTION	QTY. PER ENG.
77300	CYLINDER, PISTON AND RING ASSEMBLY	1
72050	KEY, Valve	2
62922	SEAL, Shroud tube	4
66732	GASKET, Valve rocker shaft cover	2
LW-13321	SEAT, Valve spring, lower	1
LW-11796	SPRING, Valve, outer	2
69532	SEAT, Valve spring	1
LW-11797	SPRING, Valve, auxiliary	2
LW-13446 or LW-14077	PIN, Piston	1
71195	BOX, Set-up	1
71266	ROCKER ASSY., Intake valve	1
71450	GASKET, Rocker box cover	1
71481	SEAL, Cylinder base oil	1
71549	WASHER, Valve rocker thrust	2
74241	RING, Piston, top and 2nd compression	2
72198	PLUG, Piston pin	2
72242	COVER ASSY., Rocker box	1
72626	SHAFT, Valve rocker	2
LW-12702	ROCKER ASSY., Exhaust valve	1
72709	SCREW	4
72710	COVER, Valve rocker shaft	2
76187	CYLINDER ASSY., (Nitrided) long reach	1
74802 or LW-11167	VALVE, Exhaust (rotator type inconel or nimonic)	1
73112 or LW-13322	SEAT, Valve spring, lower	1
LW-10076	SEAT, Valve spring (rotator type)	1
LW-12949	VALVE, Intake	1
73857 or LW-12328	RING, Piston, oil regulating	1
MS13997-3	KEY, Valve (rotator type)	2
MS13998-3	CAP, Valve stem	1
STD-1925	SCREW	9
STD-1215	CAPSCREWS	2
LW-10207-S	PISTON	1
60828	PLUG, Piston pin	2
SSP2170	TAG	1
LW-11775	PLUG	2
SSP672	TAG	1
62388	CAP, Valve stem	1

AVCO LYCOMING IGO and IGSO-540 PARTS CATALOG

SECTION 8 SERVICE KIT SECTION

CYLINDER, PISTON AND RING KIT IGSO-540-A Series (Nitrided Cylinder)

PART NUMBER	DESCRIPTION	QTY. PER ENG.
LW-12904	CYLINDER, PISTON AND RING ASSEMBLY	1
MS13997-3	KEY, Valve (rotator type)	2
MS13998-3	CAP, Valve stem	1
STD-9	NUT, Plain, 1/4-28	4
STD-160	WASHER	4
STD-1215	CAPSCREWS	2
STD-1925	SCREW, 1/4-28 x 5/8 long, fill hd., self-locking	9
72050	KEY, Valve	2
60828	PLUG, Piston pin	2
62922	SEAL, Shroud tube	4
66731	COVER, Valve rocker shaft	2
66732	GASKET, Valve rocker shaft cover	2
67193	GASKET, Rocker box cover	1
LW-13321	SEAT, Valve spring lower	1
68795	COVER ASSY., Rocker box	1
LW-13446 or LW-14077	PIN, Piston	1
71195	BOX, Set-up	1
74390	ROCKER ASSY., Exhaust valve	1
71266	ROCKER ASSY., Intake valve	1
71481	RING, Oil seal (cylinder base)	1
71549	WASHER, Valve rocker thrust	2
72198	PLUG, Piston pin (alum. bronze)	2
72626	SHAFT, Valve rocker	2
73112 or LW-13322	SEAT, Valve spring lower	1
LW-13622	VALVE, Intake	1
73857 or LW-12328	RING, Piston (oil regulating)	1
74241	RING, Piston (compression)	2
74802	VALVE, Exhaust (rotator type)	1
LW-10076	SEAT, Valve spring, rotator type	1
69532	SEAT, Valve spring	1
LW-10208-S	PISTON	1
LW-11796	SPRING, Valve outer	2
LW-11797	SPRING, Valve, auxiliary	2
LW-12714	CYLINDER ASSY., Nitrided	1
LW-11775	PLUG, Piston pin	2
SSP672	TAG	1
62388	CAP	1

AVCO LYCOMING IGO and IGSO-540 PARTS CATALOG

SECTION 8 SERVICE KIT SECTION

CYLINDER, PISTON AND RING KIT
IGSO-540-B1A, -B1C Series (Nitrided Cylinder)

PART NUMBER	DESCRIPTION	QTY. PER ENG.
LW-12908	CYLINDER, PISTON AND RING ASSEMBLY	1
MS13997-3	KEY, Valve (rotator type)	2
MS13998-3	CAP, Valve stem	1
SSP2170	TAG	1
STD-1215	CAPSCREWS	2
STD-1925	SCREW, 1/4-20 x 5/8 long, fill.hd.,self-locking	9
72050	KEY, Valve	2
60828	PLUG, Piston pin	2
62922	SEAL, Shroud tube	4
66732	GASKET, Valve rocker shaft cover	2
LW-13321	SEAT, Valve spring lower	1
LW-13445 or LW-14077	PIN, Piston	1
71195	BOX, Set-up	1
71266	ROCKER ASSY., Intake valve	1
71450	GASKET, Rocker box cover	1
71481	RING, Oil seal (cylinder base)	1
71549	WASHER, Valve rocker thrust	2
72198	PLUG, Piston pin (alum. bronze)	2
72242	COVER ASSY., Rocker box	1
72626	SHAFT, Valve rocker	2
LW-12702	ROCKER ASSY., Exhaust valve	1
72709	SCREW, 1/4-20 x 5/8 long,self-sealing	4
72710	COVER, Valve rocker shaft	2
73112 or LW-13322	SEAT, Valve spring lower	1
LW-13622	VALVE, Intake	1
73857 or LW-12328	RING, Piston (oil regulating)	1
74241	RING, Piston (compression)	2
74802	VALVE, Exhaust (rotator type)	1
LW-10076	SEAT, Valve spring,rotator type	1
69532	SEAT, Valve spring	1
LW-10208-S	PISTON	1
LW-11796	SPRING, Valve outer	2
LW-11797	SPRING, Valve, auxiliary	2
LW-12717	CYLINDER ASSY.	1
LW-11775	PLUG, Piston pin	2
SSP672	TAG	1
62388	CAP	1

**SECTION 9
PARTS SUPERSEDURES**

SECTION 1

Part No.	Superseded by	Name	Remarks
Reference Page 1-1			
77047	LW-11041	Crankcase Assy.	To incorporate straight dowels.
75300	77047	Crankcase Assy.	Product improvement.
74959	75300	Crankcase Assy.	Product improvement.
73900	74959	Crankcase Assy.	Product improvement.
77052	LW-11042	Crankcase Assy.	To incorporate straight dowels.
75301	77052	Crankcase Assy.	Product improvement.
74961	75301	Crankcase Assy.	Product improvement.
74001	74961	Crankcase Assy.	Product improvement.
77048	LW-11043	Crankcase Assy.	To incorporate straight dowels.
75297	77048	Crankcase Assy.	Product improvement.
74958	75297	Crankcase Assy.	Product improvement.
72575	74958	Crankcase Assy.	Product improvement.
77051	LW-11044	Crankcase Assy.	To incorporate straight dowels.
75300	77051	Crankcase Assy.	Product improvement.
74959	75300	Crankcase Assy.	Product improvement.
73900	74959	Crankcase Assy.	Product improvement.
69796	LW-10647	Dowel	To incorporate straight dowels.
Reference Page 1-3			
72902	74982	Crankshaft & Counterweight Assy.	To incorporate assy. without sludge tubes.
72980	74980	Crankshaft & Counterweight Assy.	To incorporate assy. without sludge tubes.
72900	74981	Crankshaft Assy.	Product improvement.
72888	74979	Crankshaft Assy.	Product improvement.
70256	73810	Bushing	To change length.

PARTS SUPERSEDURES (CONT.)

SECTION 1 (CONT.)

Part No.	Superseded by	Name	Remarks
Reference Page 1-3 (Cont.)			
71906	LW-14820	Ring	Product improvement.
73069	71304	Camshaft Assy.	Parts standardization.
71304	77202	Camshaft Assy.	Product improvement on IGO, IGSO-540-B.
Reference Page 1-5			
LW-10124	LW-11021	Bearing	To incorporate larger dowel hole to receive straight dowels.
77033	LW-10124	Bearing	Product improvement.
74180	77033	Bearing	Product improvement.
70408	74180	Bearing	Product improvement.
72877	73061	Body	To provide for a wider shoulder.
69529	72877	Body	Product improvement.
76290	78290	Plunger Assy.	Product improvement.
73062	76290	Plunger Assy.	To provide limited travel plunger assys.
72876	73062	Plunger Assy.	To provide for a wider shoulder.
71791	72876	Plunger Assy.	Product improvement.
65074	78524	Socket	Product improvement.
72216	73772	Nozzle Assy.	Parts standardization.

Reference Page 1-6

There are no supersedures on Page 1-6.

SECTION 2

Reference Page 2-1

67734	74822	Gasket	Product improvement.
74900	75679	Gear Assy.	Product improvement.
72782	74900	Gear Assy.	Product improvement.

PARTS SUPERSEDURES (CONT.)

SECTION 2 (CONT.)

Part No.	Superseded by	Name	Remarks
Reference Page 2-1 (Cont.)			
75679	LW-11188	Gear Assy.	Product improvement.
74900	75679	Gear Assy.	Product improvement.
72782	74900	Gear Assy.	Product improvement.
76494	LW-11189	Gear Assy.	Product improvement.
77731	LW-11190	Gear Assy.	Product improvement.
69727	LW-11187	Gear Assy.	Product improvement.
67388	LW-11185	Plate	Product improvement.
STD-1017	AN435-3-10	Rivet	Product improvement.
72579	74962	Housing Assy.	Product improvement.
Reference Page 2-3			
179B	72053	Gasket	To use one common gasket instead of two.
180G	72378	Cover	Product improvement.
Reference Page 2-5			
72580	LW-11184	Gear Assy.	Product improvement.
72581	LW-11182	Plate	Product improvement.
69876	LW-11181	Cage Assy.	Product improvement.
65986	LW-11179	Shaft	Product improvement.
65987	LW-11178	Cup	Product improvement.
75649	LW-11177	Spacer	Product improvement.
65996	75649	Spacer	To provide salvage pinion cage and related parts.
67393	LW-11176	Gear	Product improvement.
67914	LW-11175	Gasket	Product improvement.
68293	LW-11174	Housing	Product improvement.

PARTS SUPERSEDURES (CONT.)

SECTION 2 (CONT.)

Part No.	Superseded by	Name	Remarks
Reference Page 2-5 (Cont.)			
STD-1016	AN4-3A	Screw	Product improvement.
STD-1823	75159	Lockplate	Product improvement.
72582	LW-11540	Shaft	Product improvement.
68288	74203	Lockplate	Product improvement.
68290	74204	Nut	Product improvement.
72451	74337	Sleeve	Product improvement.
72284	67722	Ring	Product improvement.
68319	77454	Slinger	Product improvement.
STD-1695	STD-2045	Nut	Product improvement.
Reference Page 2-7			
72486	75668	Gasket	Product improvement.
72493	75677	Adapter Assy.	Product improvement.
73082	75676	Adapter Assy.	Product improvement.
72796	74646	Nut	Product improvement.
Reference Page 2-9			
AN737TW38	LW-15592-8-12	Clamp	Product improvement.
STD-788	AN737TW38	Clamp	Product improvement.
73025	74128	Adapter Assy.	Product improvement.

SECTION 3

Reference Page 3-1

74728	LW-16082	Accessory Housing Assy.	Product improvement.
74102	74728	Accessory Housing Assy.	Product improvement.
73940	74102	Accessory Housing Assy.	Product improvement.
74729	LW-16081	Accessory Housing Assy.	Product improvement.

AVCO LYCOMING IGO and IGSO-540 PARTS CATALOG

PARTS SUPERSEDURES (CONT.)

SECTION 3 (CONT.)

Part No.	Superseded by	Name	Remarks
Reference Page 3-1 (Cont.)			
72597	74104	Accessory Housing Assy.	Product improvement.
72537	74105	Adapter Assy.	Product improvement.
72599	73690	Bushing	Product improvement.
72539	74420	Adapter Assy.	Product improvement.
Reference Page 3-3			
72735	LW-16083	Accessory Housing Assy.	Product improvement.
Reference Page 3-5			
AN4-31A	STD-2123	Bolt	Product improvement.
Reference Page 3-7			
67639	75026	Adapter Assy.	Product improvement.
72543	74101	Gear Assy.	Product improvement.
AN4-4A	STD-1895	Bolt	Parts standardization.
74660	67784	Guide	Parts standardization.
72778	74660	Guide	Product improvement.
72777	74506	Guide	Product improvement.
Reference Page 3-9			
72722	74921	Tube and Plate Assy.	Product improvement.
72724	LW-14199	Gasket	Product improvement.
74202	LW-16085	Cover Assy.	Product improvement.
73095	74202	Cover Assy.	Product improvement.
72553	73095	Cover Assy.	Product improvement.
73143	74200	Elbow	Product improvement.
Reference Page 3-11			
STD-585	72182	Ring	Product improvement.

PARTS SUPERSEDURES (CONT.)

SECTION 3 (CONT.)

Part No.	Superseded by	Name	Remarks
Reference Page 3-13			
73294	LW-10805	Shaftgear	Product improvement.
72550	73268	Gear Assy.	Product improvement.
Reference Page 3-14			
72601	73092	Pump Assy.	Product improvement.
71766	73087	Body Assy.	Product improvement.
654-B	73761	Spring	Parts standardization.
68473	LW-13036	Sleeve	Product improvement.
69671	75516	Shaft	Product improvement.
73872	61297	Impeller	Product improvement.
Reference Page 3-15			
71774	LW-13684	Cap	Product improvement.

SECTION 4

Reference Page 4-1			
75054	76186	Cylinder Assy.	To incorporate up-exhaust cylinder assys.
72733	75054	Cylinder Assy.	To incorporate long reach plugs.
76260	76187	Cylinder Assy.	To incorporate up-exhaust cylinder assys.
76187	LW-12717	Cylinder Assy.	Product improvement.
78283	LW-12714	Cylinder Assy.	Product improvement.
74828	78283	Cylinder Assy.	Product improvement.
72212	71895	Seat	To incorporate smaller intake valve.
66713	LW-11956	Guide	To incorporate flangeless intake valve guides.
72897	LW-11957	Guide	To incorporate flangeless intake valve guides.
75838	LW-11958	Guide	To incorporate flangeless intake valve guides.
73973	75838	Guide	Product improvement.
Reference Page 4-3			
75773	72255	Shroud Tube Assy.	Product improvement.

PARTS SUPERSEDURES (CONT.)

SECTION 4 (CONT.)

Part No.	Superseded by	Name	Remarks
Reference Page 4-3 (Cont.)			
75776	72257	Shroud Tube Assy.	Product improvement.
72718-1	73545	Rod Assy.	Product improvement.
72716	73546	Rod Assy.	Product improvement.
72717	73547	Rod Assy.	Product improvement.
72718	73548	Rod Assy.	Product improvement.
79051	LW-13077	Spring	Product improvement.
66717	79051	Spring	Product improvement.
72705	LW-12702	Rocker Assy.	Product improvement.
71265	74390	Rocker Assy.	Product improvement.
67114	74389	Bushing	Product improvement.
68806	72626	Shaft	Parts standardization.
72710	66731	Cover	To use one valve rocker shaft cover on all angle valve heads.
Reference Page 4-5			
77450	LW-13422	Connecting Rod Assy.	Product improvement.
75548	77450	Connecting Rod Assy.	To incorporate tongue and groove connecting rod assys.
73174	75548	Connecting Rod Assy.	Product improvement.
65819	LW-13923	Bushing	Product improvement.
75060	LW-12596	Bolt	Product improvement.
74646	LW-12186	Nut	Product improvement.
72796	74646	Nut	Product improvement.
71949	LW-13209	Bearing	Product improvement.
75547 or 76395	71949	Bearing	To use on tongue and groove connecting rod assys.
78203	LW-10207	Piston	Product improvement.

PARTS SUPERSEDURES (CONT.)

SECTION 4 (CONT.)

Part No.	Superseded by	Name	Remarks
Reference Page 4-5 (Cont.)			
75617	78203	Piston	Product improvement.
78762	LW-10208	Piston	Product improvement.
74242	78762	Piston	Parts standardization.
73976	74242	Piston	Product improvement.
72578	73976	Piston	Product improvement.
LW-13444	LW-14078	Pin	To incorporate new piston pin with positive identification.
69650	LW-13444	Pin	To incorporate new piston pin with carbureized I.D.
Reference Page 4-6			
73129	LW-13622	Valve	To incorporate rotator type intake valve.
73117	73129	Valve	Product improvement.
74802	LW-11167	Valve	To incorporate nimonic exhaust valve instead of inconel.
68325	LW-13321	Seat	To incorporate new lower valve spring seat with increased I.D.
68326	LW-11796	Spring	Product improvement.
68328	LW-11797	Spring	Product improvement.
LW-10076	LW-16475	Seat	Product improvement.
73115	LW-10076	Seat	Product improvement.
Reference Page 4-7			
STD-2188	LW-15592-5-05	Clamp	Product improvement.
STD-2174	STD-2188	Clamp	Product improvement.
STD-1924	STD-2174	Clamp	Product improvement.
71578	74718	Baffle Assy.	Product improvement.

SECTION 5

Reference Page 5-1

78292	LW-12681	Gasket	Product improvement.
-------	----------	--------	----------------------

PARTS SUPERSEDURES (CONT.)

SECTION 5 (CONT.)

Part No.	Superseded by	Name	Remarks
Reference Page 5-1 (Cont.)			
73820	72892	Gasket	Product improvement.
71163	LW-163010-1	Magneto	To incorporate new distributor block lubrication.
73313	LW-163050-7	Magneto	To incorporate new distributor block lubrication.
75456	LW-349290-3	Magneto	To incorporate new distributor block lubrication.
75554	LW-349310-4	Magneto	To incorporate new distributor block lubrication.
72739	LW-209310-1	Magneto	To incorporate new distributor block lubrication.
72738	LW-209350-2	Magneto	To incorporate new distributor block lubrication.
71574	LW-157209	Kit Assy.	Parts standardization.
71571	LW-157208	Kit Assy.	Parts standardization.
Reference Page 5-2			
There are no supersedures on Page 5-2.			
Reference Page 5-3			
LW-620178-104	LW-720178-104	Harness Assy.	Product improvement.
73678	LW-620178-104	Harness Assy.	To incorporate Scintilla "blue" harness.
LW-620480-1	LW-720480-1	Harness Assy.	Product improvement.
74228	LW-620480-1	Harness Assy.	To incorporate Scintilla "blue" harness.
LW-620445-1	LW-720445-1	Harness Assy.	Product improvement.
74871	LW-620445-1	Harness Assy.	To incorporate Scintilla "blue" harness.
Reference Page 5-5			
72783	73860	Coil Assy.	Product improvement.
72752	73858	Clamp	Product improvement.
LW-620193-112	LW-720193-112	Lead Assy.	Product improvement.
73639	LW-620193-112	Lead Assy.	To service with "blue" high tension leads.

PARTS SUPERSEDURES (CONT.)

SECTION 5 (CONT.)

Part No.	Superseded by	Name	Remarks
Reference Page 5-5 (Cont.)			
73190	73639	Lead Assy.	Product improvement.
72763	73190	Lead Assy.	Product improvement.
LW-620525-102	LW-720525-102	Lead Assy.	Product improvement.
73676	LW-620525-102	Lead Assy.	To service with "blue" high tension leads.
72765	73676	Lead Assy.	Product improvement.
LW-620530-101	LW-720530-101	Lead Assy.	Product improvement.
73675	LW-620530-101	Lead Assy.	To service with "blue" high tension leads.
72764	73675	Lead Assy.	Product improvement.
71910	71911	Clamp	Product improvement.
AN365-632C	AN365-632A	Nut	Product improvement.
MS21919DG4	LW-16266-10-25	Clip	Parts standardization.
MS21919DF4	MS21919DG4	Clip	Parts standardization.
MS21919G12	LW-16266-10-75	Clip	Parts standardization.
73650	LW-16266-25-25	Clip	Parts standardization.
62254	73650	Clip	Product improvement.

Reference Page 5-7

There are no supersedures on Page 5-7.

Reference Page 5-8

1182-M3	1182-Y3	Spark Plug	To incorporate long reach plugs.
---------	---------	------------	----------------------------------

SECTION 6

Reference Page 6-1

72548	LW-11170	Gear	Product improvement.
67748	72437	Gasket	To provide for one common gasket.
71319	70315	Super. Housing Assy.	Due to removal of supercharger bearing thermocouple.

PARTS SUPERSEDURES (CONT.)

SECTION 6

Part No.	Superseded by	Name	Remarks
Reference Page 6-1 (Cont.)			
74535	LW-11173	Super. Impeller and Shaft Assy.	Product improvement.
71749	74535	Super. Impeller and Shaft Assy.	Product improvement.
69080	LW-11172	Spacer	Product improvement.
68112	74536	Spacer	Product improvement.
68118	74529	Lockwasher	Product improvement.
69684	LW-11171	Washer	Product improvement.
77576	LW-12228	Bearing	Product improvement.
69898	77576	Bearing	Product improvement.
71320	69898	Bearing	Due to removal of supercharger bearing thermocouple.
72723	LW-12677	Adapter Assy.	Product improvement.

Reference Page 6-3

There are no supersedures on Page 6-3.

SECTION 7

Reference Page 7-1

AN737TW91	LW-15592-8-36	Clamp	Product improvement.
AN737TW82	LW-15592-8-32	Clamp	Product improvement.
STD-1269	LW-15592-8-28	Clamp	Product improvement.
72417	STD-1269	Clamp	Product improvement.

Reference Page 7-3

STD-918	LW-25H.75	Bolt	Parts standardization.
---------	-----------	------	------------------------

Reference Page 7-5

72075	MS29512-6	Seal	Product improvement.
AN4-6A	AN4-5A	Bolt	To attach Bendix fuel injector.
73758	74151	Nozzle	Parts standardization.

PARTS SUPERSEDURES (CONT.)

SECTION 7 (CONT.)

Part No.	Superseded by	Name	Remarks
Reference Page 7-5 (Cont.)			
73029	73758	Nozzle	Product improvement.
74067	75285	Manifold Assy.	Product improvement.
73963	LW-12098-1-200	Tube Assy.	Product improvement.
73964	LW-12098-1-170	Tube Assy.	Product improvement.
73224	LW-12098-2-200	Tube Assy.	Product improvement.
61581-28	LW-12098-2-200	Tube Assy.	Product improvement.
73751	LW-16266-25-63	Clamp	Parts standardization.
MS21919G12	LW-16266-10-75	Clip	Parts standardization.
73650	LW-16266-25-25	Clip	Parts standardization.
62254	73650	Clip	Product improvement.
74066	LW-13181-6-330	Hose Assy.	Product improvement.
LW-12516	LW-16266-10-13	Clamp	Parts standardization.
71621	LW-16266-25-38	Clip	Parts standardization.
Reference Page 7-7			
73221	LW-12210	Fuel Injector	Product improvement.
73364	73221	Fuel Injector	Product improvement.
73758	74151	Nozzle	Parts standardization.
73029	73758	Nozzle	Product improvement.
73363	73239	Fuel Manifold Assy.	Product improvement.
73238	LW-13175-4-480	Hose Assy.	Product improvement.
73213	AN735-32	Clamp	Product improvement.
73214	AN735-36	Clamp	Product improvement.
73650	LW-16266-25-25	Clip	Parts standardization.
62254	73650	Clip	Product improvement.
73224	LW-12098-2-200	Tube Assy.	Product improvement.
61581-28	LW-12098-2-200	Tube Assy.	Product improvement.

LYCOMING IGO and IGSO-540 PARTS CATALOG

PARTS SUPERSEDURES (CONT.)

SECTION 7 (CONT.)

Part No.	Superseded by	Name	Remarks
Reference Page 7-7 (Cont.)			
75091	LW-12098-3-320	Tube Assy.	Product improvement.
73225	75091	Tube Assy.	Product improvement.
73226	LW-12098-1-160	Tube Assy.	Product improvement.
73237	LW-12098-1-180	Tube Assy.	Product improvement.
73971	LW-16266-25-50	Clamp	Parts standardization.
62255	73971	Clamp	Product improvement.
Reference Page 7-9			
73909	LW-12209	Fuel Injector	Product improvement.
78417	LW-12208	Fuel Injector	Product improvement.
74147	74405	Nozzle Assy.	Product improvement.
LW-12799-6-113	LW-12799-6S113	Hose Assy.	Product improvement.
LW-13182-6-113	LW-12799-6-113	Hose Assy.	Product improvement.
73942	LW-13182-6-113	Hose Assy.	Product improvement.
74145	LW-13182-6-094	Hose Assy.	Product improvement.
LW-13182-6-094	LW-12799-6S094	Hose Assy.	Product improvement.
73050	LW-16266-25-75	Clip	Parts standardization.
73971	LW-16266-25-50	Clip	Parts standardization.
62255	73971	Clip	Product improvement.
LW-12876-4-062	LW-12876-4S062	Hose Assy.	Product improvement.
LW-13178-4-062	LW-12876-4-062	Hose Assy.	Product improvement.
74458	LW-13178-4-062	Hose Assy.	Product improvement.
74144	74458	Hose Assy.	Product improvement.
74533	LW-13184-4-075	Hose Assy.	Product improvement.
74144	74533	Hose Assy.	Product improvement.
73751	LW-16266-25-63	Clamp	Product improvement.
LW-12798-4-044	LW-12798-4S044	Hose Assy.	Product improvement.

PARTS SUPERSEDURES (CONT.)

SECTION 7 (CONT.)

Part No.	Superseded by	Name	Remarks
Reference Page 7-9 (Cont.)			
LW-13174-4-044	LW-12798-4-044	Hose Assy.	Product improvement.
72388	LW-13174-4-044	Hose Assy.	Product improvement.
74528	LW-13178-4-032	Hose Assy.	Product improvement.
74209	74639	Filter	Product improvement.
LW-12799-6-090	LW-12799-6S090	Hose Assy.	Product improvement.
LW-13182-6-086	LW-12799-6-090	Hose Assy.	Product improvement.
74071	LW-13182-6-086	Hose Assy.	Product improvement.
74146	LW-13182-6-074	Hose Assy.	Product improvement.
74053	LW-14574	Strut	Product improvement.
74055	LW-14573	Bracket	Product improvement.
Reference Page 7-11			
72786	LW-13174-4-160	Hose Assy.	Product improvement.
62255	LW-16266-25-44	Clamp	Parts standardization.

NUMERICAL INDEX

PART NO.	PART NAME	PAGE NO.	PART NO.	PART NAME	PAGE NO.
AN115907	Screw	3-11	LW-10805	Shaftgear	3-13
AN123029	Gasket	7-11	LW-11021	Bearing	1-5
AN123908	Ring	3-15	LW-11041	Crankcase Assy.	1-1
AN124001	Seal	6-3	LW-11042	Crankcase Assy.	1-1
AN365-632A	Nut	5-5	LW-11043	Crankcase Assy.	1-1
AN381-2-10	Pin	3-13	LW-11044	Crankcase Assy.	1-1
AN381-4-20	Pin	3-15	LW-11167	Valve	4-6
AN4-3A	Screw	2-5	LW-11170	Gear	6-1
AN4-4A	Bolt	3-7	LW-11171	Washer	6-1
AN4-5A	Bolt	7-5	LW-11172	Spacer	6-1
AN4-5A	Bolt	7-7	LW-11173	Impeller and Shaft Assv.	6-1
AN4-6A	Bolt	7-1	LW-11174	Housing	2-5
AN4-6A	Bolt	7-11	LW-11175	Gasket	2-5
AN4-12A	Bolt	1-6	LW-11176	Gear	2-5
AN4-12A	Bolt	2-9	LW-11177	Spacer	2-5
AN4-12A	Bolt	3-5	LW-11178	Cup	2-5
AN4-12A	Bolt	7-3	LW-11179	Shaft	2-5
AN4-14A	Bolt	1-6	LW-11181	Cage Assy.	2-5
AN4-14A	Bolt	7-3	LW-11182	Plate	2-5
AN4-15A	Bolt	1-6	LW-11184	Gear Assy.	2-5
AN4-15A	Bolt	7-3	LW-11185	Plate	2-1
AN4-16	Bolt	1-6	LW-11187	Gear Assy.	2-1
AN4-17A	Bolt	1-6	LW-11188	Gear Assy.	2-1
AN4-20A	Bolt	3-5	LW-11189	Gear Assy.	2-1
AN4-23A	Bolt	3-5	LW-11190	Gear Assy.	2-1
AN4H5A	Bolt	5-5	LW-11540	Shaft	2-5
AN435-3-10	Rivet	2-1	LW-11796	Spring	4-6
AN481-10	Clevis	7-11	LW-11797	Spring	4-6
AN486-2	Clevis	7-11	LW-11876	Spacer	7-5
AN490-HT8	Rod End	7-11	LW-11909	Nozzle Assy.	7-9
AN4047-1	Gasket	3-5	LW-11956	Guide	4-1
AN501-416-10	Screw	7-7	LW-11957	Guide	4-1
AN501A416-12	Screw	3-7	LW-11958	Guide	4-1
AN6-16	Bolt	1-6	LW-12098-0-190	Tube Assy.	7-5
AN6-21A	Bolt	1-6	LW-12098-1-160	Tube Assy.	7-7
AN6-22A	Bolt	1-6	LW-12098-1-170	Tube Assy.	7-5
AN6-24	Bolt	1-6	LW-12098-1-180	Tube Assy.	7-7
AN6270-3D-0100	Hose Assy.	7-11	LW-12098-1-200	Tube Assy.	7-5
AN74-3	Screw	3-13	LW-12098-2-170	Tube Assy.	7-5
AN735-32	Clamp	7-7	LW-12098-2-200	Tube Assy.	7-5
AN735-36	Clamp	7-7	LW-12098-2-200	Tube Assy.	7-7
AN815-4	Union	7-9	LW-12098-3-320	Tube Assy.	7-7
AN815-6	Union	7-5	LW-12186	Nut	4-5
AN816-6-2	Nipple	7-5	LW-12208	Fuel Injector	7-9
AN900-28	Gasket	3-15	LW-12209	Fuel Injector	7-9
AN935-8L	Lockwasher	6-3	LW-12210	Fuel Injector	7-7
AN960-616L	Washer	1-6	LW-12228	Bearing	6-1
LW-10207	Piston	4-5	LW-12301	Spring	3-7
LW-10208	Piston	4-5	LW-12302	Gear Assy.	3-7
LW-10647	Dowel	1-1	LW-12464	Bracket	7-5

NUMERICAL INDEX (Cont).

PART NO.	PART NAME	PAGE NO.	PART NO.	PART NAME	PAGE NO.
LW-12465	Bracket	7-5	LW-157209	Kit	5-1
LW-12522-1	Filter Assy.	3-15	LW-16081	Housing Assy.	3-1
LW-12588	Bushing	4-3	LW-16082	Housing Assy.	3-1
LW-12596	Bolt	4-5	LW-16083	Housing Assy.	3-3
LW-12604	Nipple	7-5	LW-16085	Cover Assy.	3-9
LW-12677	Adapter Assy.	6-1	LW-16140-4S075	Hose	7-9
LW-12681	Gasket	5-1	LW-16266-10-13	Clamp	7-5
LW-12684	Gear Assy.	2-1	LW-16266-10-25	Clamp	5-5
LW-12685	Adapter Assy.	2-9	LW-16266-10-75	Clamp	5-5
LW-12686	Fuel Injector	7-5	LW-16266-10-75	Clamp	7-5
LW-12702	Rocker Assy.	4-3	LW-16266-25-25	Clamp	5-5
LW-12714	Cylinder Assy.	4-1	LW-16266-25-25	Clamp	7-5
LW-12717	Cylinder Assy.	4-1	LW-16266-25-25	Clamp	7-7
LW-12798-4S044	Hose Assy.	7-9	LW-16266-25-38	Clamp	7-5
LW-12799-6S090	Hose	7-9	LW-16266-25-44	Clamp	7-11
LW-12799-6S094	Hose	7-9	LW-16266-25-50	Clamp	7-7
LW-12799-6S113	Hose	7-9	LW-16266-25-50	Clamp	7-9
LW-12876-4S032	Hose	7-9	LW-16266-25-63	Clamp	7-5
LW-12876-4S062	Hose	7-9	LW-16266-25-63	Clamp	7-9
LW-12949	Valve	4-6	LW-16266-25-75	Clamp	7-9
LW-13036	Sleeve	3-14	LW-163010-1	Magneto	5-1
LW-13077	Spring	4-3	LW-163050-7	Magneto	5-1
LW-13174-4-160	Hose	7-11	LW-16475	Seat	4-6
LW-13175-4-480	Hose Assy.	7-7	LW-25H.75	Screw	7-3
LW-13178-4-032	Hose	7-9	LW-209310-4	Magneto	5-1
LW-13181-6-240	Hose Assy.	7-7	LW-209350-2	Magneto	5-1
LW-13181-6-330	Hose Assy.	7-5	LW-320046-10	Ignition Harness	5-5
LW-13182-6-074	Hose	7-9	LW-349290-3	Magneto	5-1
LW-13182-6-094	Hose	7-9	LW-349310-4	Magneto	5-1
LW-13184-4-075	Hose	7-9	LW-620480-3	Harness Assy.	5-3
LW-13209	Bearing	4-5	LW-720178-104	Harness Assy.	5-3
LW-13321	Seat	4-6	LW-720193-112	Lead Assy.	5-5
LW-13322	Seat	4-6	LW-720480-1	Harness Assy.	5-3
LW-13422	Connecting Rod Assy.	4-5	LW-720525-102	Lead Assy.	5-5
LW-13622	Valve	4-6	LW-720530-101	Lead Assy.	5-5
LW-13684	Cap	3-15	LW-720445-1	Harness Assy.	5-3
LW-13923	Bushing	4-5	MS122200	Insert	3-14
LW-14042	Fuel Injector	7-9	MS124776	Insert	6-3
LW-14078	Pin	4-5	MS13997-3	Key	4-6
LW-14199	Gasket	3-9	MS13998-3	Cap	4-6
LW-14554	Fuel Injector	7-9	MS20822-4	Elbow	7-11
LW-14573	Bracket	7-9	MS20823-3	Elbow	7-11
LW-14574	Strut	7-9	MS20823-6D	Elbow	4-1
LW-14820	Ring	1-3	MS28775-024	Seal	3-14
LW-15592-5-05	Clamp	4-7	MS29512-4	Seal	7-9
LW-15592-8-12	Clamp	2-9	MS29512-6	Seal	7-5
LW-15592-8-28	Clamp	7-1	MS29512-6	Seal	7-11
LW-15592-8-32	Clamp	7-1	STD-2	Nut	3-13
LW-15592-8-36	Clamp	7-1	STD-8	Washer	1-6
LW-157208	Kit	5-1	STD-8	Washer	2-3

NUMERICAL INDEX (Cont).

PART NO.	PART NAME	PAGE NO.	PART NO.	PART NAME	PAGE NO.
STD-8	Washer	2-9	STD-35	Washer	7-9
STD-8	Washer	3-5	STD-35	Washer	7-11
STD-8	Washer	3-7	STD-37	Nut	2-3
STD-8	Washer	3-9	STD-37	Nut	3-5
STD-8	Washer	3-11	STD-37	Nut	4-1
STD-8	Washer	3-13	STD-37	Nut	5-1
STD-8	Washer	3-15	STD-37	Nut	7-5
STD-8	Washer	5-2	STD-37	Nut	7-7
STD-8	Washer	5-3	STD-37	Nut	7-9
STD-8	Washer	5-5	STD-39	Locknut	2-7
STD-8	Washer	6-1	STD-60	Pin	3-15
STD-8	Washer	6-3	STD-61	Nut	3-15
STD-8	Washer	7-1	STD-68	Pin	2-5
STD-8	Washer	7-3	STD-71	Plug	3-1
STD-8	Washer	7-5	STD-71	Plug	3-3
STD-8	Washer	7-7	STD-71	Plug	3-15
STD-8	Washer	7-9	STD-82	Screw	3-11
STD-8	Washer	7-11	STD-82	Screw	6-3
STD-9	Nut	1-6	STD-82	Screw	7-5
STD-9	Nut	2-3	STD-82	Screw	7-7
STD-9	Nut	2-9	STD-82	Screw	7-9
STD-9	Nut	3-5	STD-91	Plug	7-3
STD-9	Nut	3-7	STD-95	Key	2-5
STD-9	Nut	3-15	STD-97	Nut	1-6
STD-9	Nut	4-3	STD-97	Nut	3-7
STD-9	Nut	6-1	STD-97	Nut	3-11
STD-9	Nut	6-3	STD-111	Gasket	2-7
STD-9	Nut	7-3	STD-111	Gasket	3-3
STD-9	Nut	7-11	STD-111	Gasket	7-3
STD-19	Dowel	2-3	STD-120	Plug	2-3
STD-19	Dowel	2-7	STD-132	Dowel	3-1
STD-19	Dowel	3-1	STD-148	Nipple	7-5
STD-19	Dowel	3-3	STD-160	Washer	1-6
STD-19	Dowel	3-11	STD-160	Washer	2-3
STD-28	Washer	3-11	STD-160	Washer	2-9
STD-28	Washer	7-5	STD-160	Washer	3-5
STD-28	Washer	7-7	STD-160	Washer	3-7
STD-33	Washer	1-5	STD-160	Washer	3-9
STD-33	Washer	1-6	STD-160	Washer	3-15
STD-33	Washer	2-5	STD-160	Washer	4-3
STD-33	Washer	2-7	STD-160	Washer	5-3
STD-33	Washer	3-5	STD-160	Washer	6-1
STD-33	Washer	5-2	STD-160	Washer	6-3
STD-35	Washer	1-5	STD-160	Washer	7-1
STD-35	Washer	2-3	STD-160	Washer	7-3
STD-35	Washer	2-5	STD-160	Washer	7-7
STD-35	Washer	3-5	STD-160	Washer	7-9
STD-35	Washer	4-1	STD-208	Oil Seal	3-15
STD-35	Washer	7-5	STD-213	Oil Seal	3-13
STD-35	Washer	7-7	STD-251	Washer	4-7

NUMERICAL INDEX (Cont).

PART NO.	PART NAME	PAGE NO.	PART NO.	PART NAME	PAGE NO.
STD-251	Washer	5-5	STD-696	Washer	3-11
STD-251	Washer	7-5	STD-696	Washer	5-3
STD-251	Washer	7-7	STD-696	Washer	5-5
STD-294	Gasket	3-15	STD-713	Pin	1-6
STD-332	Circlip	2-3	STD-763	Pin	3-13
STD-351	Gasket	3-15	STD-783	Plug	1-1
STD-355	Plug	3-9	STD-783	Plug	3-9
STD-375	Screw	6-1	STD-798	Dowel	2-1
STD-394	Dowel	2-3	STD-798	Pin	3-7
STD-394	Dowel	3-1	STD-798	Dowel	2-7
STD-394	Dowel	3-11	STD-858	Key	1-3
STD-394	Dowel	3-14	STD-859	Dowel	3-1
STD-394	Dowel	3-15	STD-859	Dowel	3-3
STD-425	Washer	7-9	STD-860	Screw	7-7
STD-434	Dowel	3-9	STD-860	Screw	7-9
STD-475	Washer	2-3	STD-872	Nut	1-6
STD-475	Washer	3-5	STD-875	Dowel	2-7
STD-475	Washer	4-1	STD-876	Dowel	3-1
STD-475	Washer	5-1	STD-951	Dowel	3-9
STD-475	Washer	7-5	STD-969	Screw	7-7
STD-475	Washer	7-7	STD-993	Dowel	3-1
STD-475	Washer	7-9	STD-994	Ring	2-1
STD-547	Seal	3-11	STD-994	Ring	3-1
STD-550	Plug	7-3	STD-1006	Ring	3-7
STD-553	Screw	5-5	STD-1013	Nut	2-5
STD-557	Dowel	1-1	STD-1017	Rivet	2-1
STD-596	Nut	1-6	STD-1053	Plug	3-9
STD-596	Nut	2-7	STD-1084	Screw	7-9
STD-596	Nut	3-5	STD-1104	Plug	3-9
STD-616	Nut	1-5	STD-1164	Insert	3-14
STD-617	Nut	1-5	STD-1171	Insert	1-5
STD-670	Nut	4-7	STD-1173	Insert	7-3
STD-670	Nut	5-5	STD-1201	Dowel	2-1
STD-670	Nut	5-7	STD-1204	Bolt	2-9
STD-670	Nut	7-5	STD-1215	Bolt	3-9
STD-670	Nut	7-7	STD-1215	Bolt	7-1
STD-670	Nut	7-9	STD-1236	Bolt	5-5
STD-673	Nut	5-5	STD-1301	Ring	7-11
STD-673	Nut	7-1	STD-1315	Insert	1-1
STD-673	Nut	7-5	STD-1315	Insert	3-1
STD-673	Nut	7-7	STD-1315	Insert	3-3
STD-673	Nut	7-11	STD-1315	Insert	3-7
STD-674	Nut	7-9	STD-1315	Insert	6-3
STD-678	Washer	1-6	STD-1339	Plug	2-7
STD-678	Washer	3-5	STD-1339	Plug	3-1
STD-679	Screw	1-3	STD-1339	Plug	3-3
STD-684	Nipple	4-7	STD-1339	Plug	6-1
STD-692	Screw	4-7	STD-1353	Insert	3-1
STD-692	Screw	5-5	STD-1392	Plug	3-14
STD-692	Screw	7-5	STD-1411	Nut	7-7

AVCO LYCOMING IGO and IGSO-540 PARTS CATALOG

NUMERICAL INDEX (Cont).

PART NO.	PART NAME	PAGE NO.	PART NO.	PART NAME	PAGE NO.
STD-1419	Bolt	3-9	10-320620-43	Lead Assy.	5-3
STD-1560	Ring	7-11	10-320620-55	Lead Assy.	5-3
STD-1623	Insert	1-1	10-320620-59	Lead Assy.	5-3
STD-1679	Bolt	7-3	10-320620-92	Lead Assy.	5-3
STD-1686	Screw	4-7	10-320620-95	Lead Assy.	5-3
STD-1686	Screw	5-7	10-320620-106	Lead Assy.	5-3
STD-1688	Bolt	2-9	10-320620-112	Lead Assy.	5-3
STD-1702	Seal	3-11	10-320620-121	Lead Assy.	5-3
STD-1703	Screw	6-1	10-320620-126	Lead Assy.	5-3
STD-1708	Seal	3-11	10-720633-48	Lead Assy.	5-3
STD-1709	Circlip	3-11	10-720633-78	Lead Assy.	5-3
STD-1727	Washer	5-1	25-8	Stud	4-1
STD-1736	Pin	2-1	25-10	Stud	1-1
STD-1745	Pin	6-3	25-10	Stud	2-1
STD-1753	Ring	2-9	25-10	Stud	6-1
STD-1756	Washer	6-3	25-11	Stud	1-1
STD-1792	Hose	7-1	25-11	Stud	6-1
STD-1797	Hose	2-9	25-12	Stud	3-1
STD-1821	Hose	4-7	25-12	Stud	3-3
STD-1832	Insert	7-3	25-12	Stud	3-9
STD-1854	Washer	3-13	25-12	Stud	6-1
STD-1872	Insert	4-1	25-13	Stud	3-1
STD-1873	Screw	3-13	25-13	Stud	3-3
STD-1874	Screw	5-2	25-13	Stud	6-1
STD-1874	Screw	5-3	25-13	Stud	7-3
STD-1877	Insert	6-3	25-14	Stud	2-1
STD-1879	Bolt	7-9	25-15	Stud	3-3
STD-1880	Washer	6-3	25-19	Stud	1-1
STD-1880	Washer	7-3	25-20	Stud	1-1
STD-1881	Screw	7-3	25-21	Stud	3-1
STD-1883	Dowel	2-7	25-22	Stud	1-1
STD-1893	Screw	7-9	25-23	Stud	3-1
STD-1896	Screw	6-3	25-23	Stud	3-3
STD-1901	Drive Stud	2-1	25-27	Stud	3-1
STD-1925	Screw	4-3	25-27	Stud	3-3
STD-1925	Screw	5-2	25-29	Stud	3-9
STD-1925	Screw	5-3	25-34	Stud	3-1
STD-1925	Screw	5-5	25-34	Stud	3-3
STD-1925	Screw	5-7	25-37	Stud	3-3
STD-1925	Screw	7-7	25-38	Stud	3-1
STD-1927	Plug	7-11	25-40	Stud	3-1
STD-1973	Key	3-14	25-40	Stud	3-3
STD-2045	Nut	2-5	25D-11	Stud	3-3
STD-2045	Nut	5-2	25D-16	Stud	3-9
STD-2045	Nut	5-5	25D-23	Stud	3-14
STD-2123	Bolt	3-5	25D-24	Stud	3-1
STD-2155	Bolt	5-5	25D-24	Stud	3-3
10-320620-25	Lead Assy.	5-3	25D-24	Stud	3-14
10-320620-31	Lead Assy.	5-3	25D-26	Stud	3-14
10-320620-41	Lead Assy.	5-3	31-10	Stud	4-1

NUMERICAL INDEX (Cont).

PART NO.	PART NAME	PAGE NO.	PART NO.	PART NAME	PAGE NO.
31-12	Stud	3-14	30311	Bearing	3-7
31-12	Stud	4-1	59568	Lead Assy.	5-7
31-13	Stud	1-1	59569	Lead Assy.	5-7
31-13	Stud	2-3	59570	Lead Assy.	5-7
31-14	Stud	3-3	59571	Lead Assy.	5-7
31-14	Stud	3-14	59572	Lead Assy.	5-7
31-14	Stud	6-3	59573	Lead Assy.	5-7
31-15	Stud	2-9	59574	Lead Assy.	5-7
31-16	Stud	3-1	59575	Lead Assy.	5-7
31-17	Stud	2-3	59576	Lead Assy.	5-7
31-22	Stud	2-9	59577	Lead Assy.	5-7
31-24	Stud	2-1	59578	Lead Assy.	5-7
31C-12	Stud	3-1	59579	Lead Assy.	5-7
38-13	Stud	1-1	60430	Cover	3-5
38-16	Stud	1-1	60431	Cover	3-5
38-16	Stud	3-1	60803	Strap	1-6
38-16	Stud	3-3	60828	Plug	4-5
38-17	Stud	1-1	60971	Coupling	5-1
38-19	Stud	1-1	61297	Impeller	3-14
38-19	Stud	2-1	61503	Sleeve	4-3
38-21	Stud	1-5	61548	Nameplate	2-1
38-22	Stud	1-5	62224	Gasket	5-1
38-23	Stud	1-5	62388	Cap	4-6
38-31	Stud	3-9	62922	Seal	4-3
38D-19	Stud	1-1	64782	Lead Assy.	5-2
50-15	Stud	1-1	64784	Lead Assy.	5-2
257-8	Plug	3-11	64785	Lead Assy.	5-2
511	Spacer	2-5	64847	Lead Assy.	5-2
511	Spacer	5-7	65007	Retainer	1-1
662	Nut	3-15	65366	Bearing	2-5
671-B	Cover	3-5	65519	Bushing	1-3
1028-B	Ball	3-14	65614	Plug	4-7
1102	Plug	1-1	65818	Pin	2-7
1102	Plug	2-1	65973	Lockring	2-1
1102	Plug	2-3	65985	Roller	2-5
1102	Plug	2-9	65992	Circlip	2-5
1102	Plug	3-1	65993	Circlip	2-5
1102	Plug	3-3	65994	Circlip	2-5
1102	Plug	3-9	65995	Circlip	2-5
1102	Plug	4-1	66049	Circlip	2-1
1102	Plug	6-1	66050	Circlip	2-1
1102	Plug	7-3	66051	Circlip	2-1
1102	Plug	7-9	66052	Circlip	2-5
1182-K4	Spark Plug	5-8	66145	Dowel	3-1
1182-U5	Spark Plug	5-8	66145	Dowel	3-3
1182-Y3	Spark Plug	5-8	66426	Impeller	3-14
1540	Plug	3-15	66610	Bushing	4-1
1691-C	Gasket	3-5	66670	Bushing	4-1
8313	Gasket	3-5	66728	Washer	4-3
20415	Gasket	3-5	66731	Cover	4-3

NUMERICAL INDEX (Cont).

PART NO.	PART NAME	PAGE NO.	PART NO.	PART NAME	PAGE NO.
66732	Gasket	4-3	68172	Gasket	7-3
66734	Stud	1-1	68174	Gasket	3-3
67114	Bushing	4-3	68186	Adapter	3-9
67193	Gasket	4-3	68191	Retainer	7-3
67195	Flange	4-1	68192	Gasket	7-3
67204	Plate	1-3	68198	Screen Assy.	7-3
67388	Plate	2-1	68364	Bolt	2-5
67596	Bushing	3-11	68403	Impeller	3-14
67605	Jaw	3-11	68404	Impeller	3-14
67610	Gear Assy.	3-11	68410	Gear Assy.	3-11
67633	Gasket	3-9	68411	Plug	3-11
67638	Shim	3-7	68425	Bushing	3-1
67641	Nut	3-7	68456	Gasket	3-14
67641	Nut	6-1	68464	Strainer	3-15
67642	Lockwasher	3-7	68465	Body Assy.	3-15
67642	Lockwasher	6-1	68466	Bushing	3-14
67653	Bushing	3-9	68466	Bushing	3-15
67678	Gasket	6-1	68468	Spacer	3-14
67687	Gear	1-3	68542	Spring	3-15
67688	Nut	1-3	68545	Washer Assy.	3-13
67690	Washer	3-13	68572	Slinger	3-13
67696	Screen	7-3	68694	Adapter Assy.	3-11
67701	Plug	3-13	68795	Cover Assy.	4-3
67708	Gasket	3-11	69177	Shaftgear Assy.	3-13
67709	Shim	3-11	69260	Insert	4-1
67710	Bushing	3-7	69286	Annulus	3-1
67722	Ring	2-5	69286	Annulus	3-3
67733	Sleeve	2-1	69335	Plug	2-7
67742	Bushing	3-1	69335	Plug	3-3
67742	Bushing	3-3	69335	Plug	7-3
67754	Washer	6-1	69433	Roller	1-3
67762	Dowel	3-14	69531	Plate	4-7
67784	Guide	3-7	69532	Seat	4-6
67787	Tube Assy.	4-7	69580	Dowel	1-1
67797	Nut	6-1	69580	Dowel	3-1
67940	Nut	3-15	69602	Connection	7-3
67981	Plunger	3-15	69621	Plug	3-3
68018	Washer	6-3	69641	Dowel	1-3
68044	Washer	2-3	69658	Pin	3-3
68044	Washer	2-7	69662	Gear	1-3
68045	Washer	2-3	69679	Stud	1-1
68045	Washer	2-7	69683	Tube	3-7
68046	Washer	2-3	69690	Pipe	7-1
68046	Washer	2-7	69691	Pipe	7-1
68094	Diffuser	6-1	69692	Pipe	7-1
68106	Flange	2-9	69700	Cover	3-7
68127	Gasket	6-1	69701	Bracket	1-5
68146	Stud	6-1	69727	Gear Assy.	2-1
68156	Shaft	3-15	69861	Dowel	1-1
68161	Shaft	3-15	69883	Impeller	6-1

NUMERICAL INDEX (Cont).

PART NO.	PART NAME	PAGE NO.	PART NO.	PART NAME	PAGE NO.
69895	Bushing	6-1	72157	Bushing	2-1
69896	Bushing	6-1	72182	Ring	3-11
69897	Rivet	6-1	72185	Shaft	6-3
70315	Housing Assy.	6-1	72186	Valve	6-3
70326	Shaftgear	6-1	72212	Seat	4-1
70337	Bracket Assy.	1-5	72215	Spring	1-5
70416	Roller	1-3	72221	Bushing	2-3
70446	Bracket	1-5	72221	Bushing	2-7
70451	Bracket Assy.	1-5	72222	Bushing	2-3
70452	Bracket Assy.	1-5	72222	Bushing	2-7
70460	Washer	3-15	72242	Cover Assy.	4-3
70462	Sleeve	3-9	72255	Shroud Tube Assy.	4-3
71133	Nut	4-7	72257	Shroud Tube Assy.	4-3
71134	Nut	4-7	72343	Stabilizer	4-1
71226	Screw	3-15	72344	Stabilizer	4-1
71265	Rocker Assy.	4-3	72351	Screw	5-7
71266	Rocker Assy.	4-3	72376	Elbow	7-11
71304	Camshaft Assy.	1-3	72377	Elbow	7-5
71430	Nut	6-1	72377	Elbow	7-9
71450	Gasket	4-3	72378	Cover	2-3
71481	Ring	4-7	72412	Cover	3-5
71523	Ball	1-5	72437	Gasket	3-7
71524	Plate	1-5	72437	Gasket	6-1
71549	Washer	4-3	72468	Gasket	2-9
71610	Hook	4-7	72473	Flange	2-9
71611	Retainer	4-7	72479	Shaftgear	3-13
71616	Bushing	3-11	72481	Tube Assy.	2-9
71758	Retainer	6-1	72482	Tube Assy.	2-9
71759	Spacer	6-1	72483	Spline	3-11
71759-1	Spacer	6-1	72487	Shim	2-7
71759-2	Spacer	6-1	72489	Gear	2-7
71761	Washer	6-1	72491	Bushing	3-11
71894	Seat	4-1	72492	Gear Assy.	3-11
71895	Seat	4-1	72494	Gear Assy.	3-11
71903	Bushing	1-3	72529	Flange	2-9
71904	Counterweight Assy.	1-3	72532	Gear Assy.	2-7
71905	Counterweight Assy.	1-3	72534	Counterweight Assy.	1-3
71907	Washer	1-3	72536	Bushing	1-3
71911	Clamp	5-5	72540	Cover	3-11
71973	Gasket	7-1	72541	Support Assy.	3-7
71999	Retainer	3-14	72545	Shaft Assy.	3-7
72015	Stop	6-3	72547	Shaftgear	6-1
72016	Screw	6-3	72549	Washer	6-1
72017	Spring	6-3	72552	Shaft	3-13
72050	Key	4-6	72555	Breather	3-9
72053	Gasket	2-3	72556	Bushing	2-7
72078	Lockplate	1-3	72557	Bushing	2-7
72091	Ring	2-7	72582	Shaft	2-5
72121	Plug	7-11	72583	Gear	2-5
72139	Dowel	3-11	72584	Cap Assy.	2-5

NUMERICAL INDEX (Cont).

PART NO.	PART NAME	PAGE NO.	PART NO.	PART NAME	PAGE NO.
72586	Gear Assy.	2-3	72977	Gasket	7-5
72588	Shaft Assy.	2-3	72977	Gasket	7-7
72590	Gear	2-3	72982	Ring	7-1
72593	Shaft	2-7	72983	Ring	7-1
72595	Sump Assy.	7-3	72990	Pipe	7-1
72600	Gear	3-15	73001	Pipe	7-1
72626	Shaft	4-3	73002	Pipe	7-1
72664	Coupling	2-7	73003	Pipe	7-1
72701	Flange	4-1	73004	Pipe	7-1
72706	Insert	4-1	73022	Sump Assy.	7-3
72707	Eye	1-6	73026	Pipe	7-1
72708	Eye	1-6	73032	Gasket	7-9
72709	Screw	4-3	73061	Body	1-5
72710	Cover	4-3	73068	Bracket	7-1
72720	Gasket	3-9	73075	Adapter Assy.	2-3
72737	Gear	3-7	73078	Fitting	7-11
72741	Gasket	3-11	73087	Body Assy.	3-14
72742	Stud	3-1	73092	Pump Assy.	3-14
72743	Dowel	3-1	73111	Valve	4-6
72743	Dowel	3-3	73118	Oil Filter	7-11
72744	Shim	2-5	73119	Elbow	7-11
72745	Seal	2-5	73136	Bracket	7-5
72746	Gasket	2-3	73136	Bracket	7-7
72747	Shim	2-3	73152	Bracket	7-5
72748	Bushing	2-3	73200	Tube	7-11
72749	Bushing	3-13	73201	Brace Assy.	7-11
72750	Bracket	5-5	73215	Bracket	7-5
72751	Bracket	5-5	73215	Bracket	7-7
72757	Nut	3-7	73216	Bracket	7-5
72761	Bearing	3-7	73216	Bracket	7-7
72767	Pipe	2-9	73217	Bracket	7-5
72774	Spring	3-7	73217	Bracket	7-7
72776	Ring	3-7	73239	Fuel Manifold Assy.	7-7
72779	Bushing	3-7	73241	Bracket	7-7
72780	Bushing	3-7	73242	Pipe Assy.	7-1
72787	Gasket	7-11	73253	Hose	7-1
72788	Nut	7-11	73254	Hose	7-1
72789	Pin	3-1	73255	Pipe Assy.	7-1
72790	Bushing	3-1	73256	Pipe Assy.	7-1
72791	Bushing	3-1	73268	Gear Assy.	3-13
72798	Screw	6-3	73287	Roller	1-3
72799	Bushing	6-3	73288	Gasket	7-3
72834	Cover	4-7	73289	Screen Assy.	7-3
72878	Lever	6-3	73290	Retainer	7-3
72895	Spacer	6-3	73291	Screen	7-3
72896	Pump Assy.	7-11	73292	Gasket	2-9
72918	Baffle Assy.	4-7	73293	Bushing	3-1
72937	Coupling	3-13	73293	Bushing	3-3
72939	Tube Assy.	2-9	73318	Bracket	7-7
72940	Tube Assy.	2-9	73346	Flange	7-1

NUMERICAL INDEX (Cont).

PART NO.	PART NAME	PAGE NO.	PART NO.	PART NAME	PAGE NO.
73378	Lead Assy.	5-5	74152	Housing Assy.	6-3
73379	Lead Assy.	5-5	74200	Elbow	3-9
73380	Lead Assy.	5-5	74203	Lockplate	2-5
73545	Rod Assy.	4-3	74204	Nut	2-5
73546	Rod Assy.	4-3	74241	Ring	4-5
73547	Rod Assy.	4-3	74310	Bracket	5-7
73548	Rod Assy.	4-3	74311	Clamp	5-7
73555	Rod Assy.	4-3	74337	Sleeve	2-5
73556	Rod Assy.	4-3	74360	Flange	7-1
73557	Rod Assy.	4-3	74389	Bushing	4-3
73558	Rod Assy.	4-3	74390	Rocker Assy.	4-3
73612	Gasket	7-9	74405	Nozzle Assy.	7-9
73626	Bracket	7-7	74412	Plate	3-7
73637	Bracket	5-5	74420	Adapter Assy.	3-1
73638	Bracket	5-5	74494	Plate	4-3
73690	Bushing	3-1	74506	Guide	3-7
73743	Bracket	5-5	74529	Lockwasher	6-1
73745	Clip	5-5	74536	Spacer	6-1
73761	Spring	3-14	74584	Pump Assy.	7-11
73772	Nozzle Assy.	1-5	74599	Plate	6-3
73773	Nozzle	1-5	74610	Housing and Valve Assy.	6-3
73810	Bushing	1-3	74612	Bracket	7-9
73857	Ring	4-5	74621	Fuel Manifold Assy.	7-7
73858	Clamp	5-5	74639	Filter	7-9
73860	Coil Assy.	5-5	74640	Bracket	7-9
73866	Cable Assy.	5-7	74646	Nut	2-7
73904	Lead Assy.	5-5	74718	Baffle Assy.	4-7
73905	Lead Assy.	5-5	74802	Valve	4-6
73939	Housing Assy.	6-1	74822	Gasket	2-1
73944	Elbow	7-9	74855	Bolt	2-7
73945	Nozzle Assy.	7-9	74920	Baffle	3-9
73946	Stabilizer	4-1	74921	Tube and Plate Assy.	3-9
73980	Housing Assy.	6-3	74957	Stud	1-1
73999	Spacer	7-5	74962	Housing Assy.	2-1
74000	Bracket	7-5	74979	Crankshaft Assy.	1-3
74003	Fuel Injector	7-5	74980	Cr'kshaft & Ct'wt. Assy.	1-3
74008	Lockplate	3-7	74981	Crankshaft Assy.	1-3
74054	Support	7-9	74982	Cr'kshaft & Ct'wt. Assy.	1-3
74069	Bracket	7-9	75000	Stud	1-1
74070	Elbow	7-9	75022	Pump Assy.	7-11
74073	Vent Shield	5-1	75026	Adapter Assy.	3-7
74079	Support	7-9	75151	Stabilizer	4-1
74101	Gear Assy.	3-7	75152	Stabilizer	4-1
74105	Adapter Assy.	3-1	75159	Lockplate	2-5
74128	Adapter Assy.	2-9	75164	Stabilizer	4-1
74131	Fuel Injector Assy.	7-5	75285	Manifold Assy.	7-5
74133	Modulator Assy.	7-9	75302	Dowel	1-1
74148	Modulator Assy.	7-9	75516	Shaft	3-14
74151	Nozzle	7-5	75668	Gasket	2-7
74151	Nozzle	7-7	75676	Adapter Assy.	2-7

AVCO LYCOMING IGO and IGSO-540 PARTS CATALOG

NUMERICAL INDEX (Cont).

PART NO.	PART NAME	PAGE NO.	PART NO.	PART NAME	PAGE NO.
75677	Adapter Assy.	2-7	76493	Adapter Assy.	2-7
75679	Gear Assy.	2-1	77202	Camshaft Assy.	1-3
75965	Clamp	5-1	77454	Slinger	2-5
75968	Seal	6-1	77730	Adapter Assy.	2-3
76186	Cylinder Assy.	4-1	78290	Plunger Assy.	1-5
76187	Cylinder Assy.	4-1	78524	Socket	1-5
76261	Cylinder Assy.	4-1	79009	Harness Assy.	5-2
76440	Nozzle Assy.	7-9			