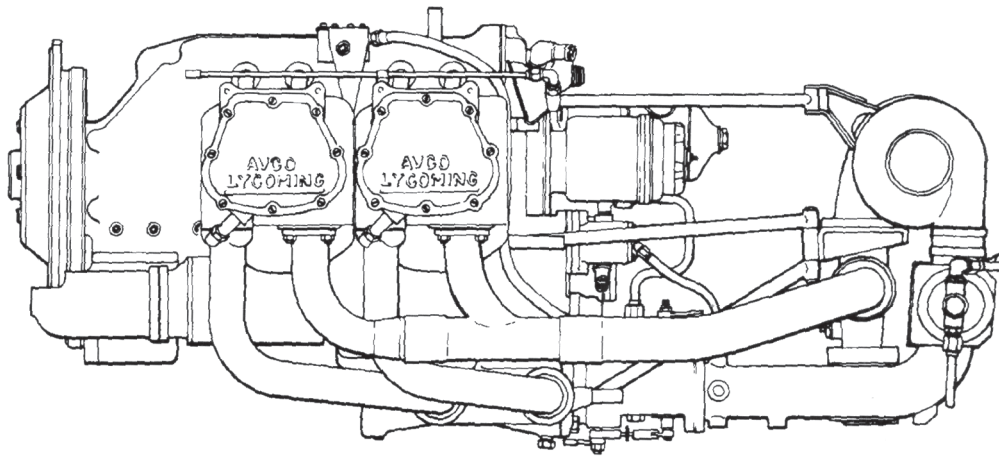


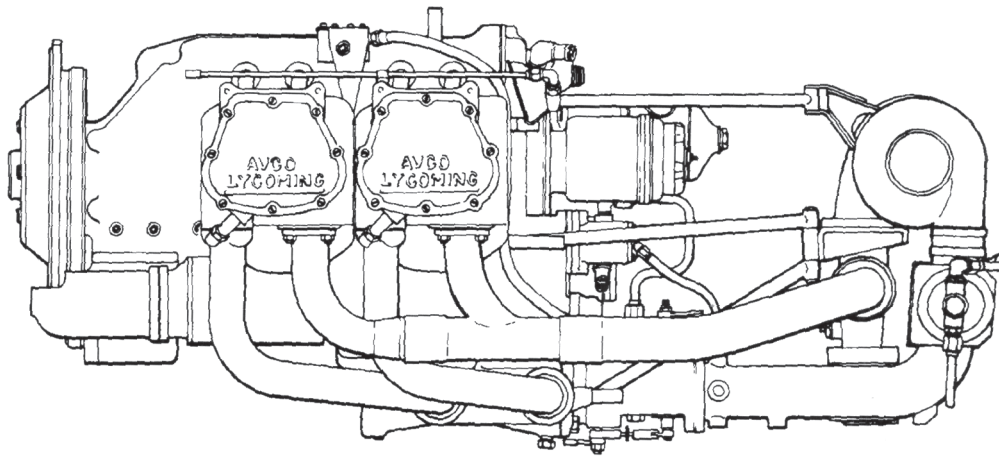
# Lycoming Aircraft Engines Parts Catalog



## **IO/LIO-360-C, -J, HIO, TIO, AEIO-360 Series Wide Cylinder Flange Models**

***LYCOMING***

# Lycoming Aircraft Engines Parts Catalog



## **IO/LIO-360-C, -J, HIO, TIO, AEIO-360 Series Wide Cylinder Flange Models**

***LYCOMING***



# **LYCOMING**

## **TECHNICAL PUBLICATION REVISION**

| <b>REVISION NO.</b>   | <b>PUBLICATION</b>                                     | <b>PUBLICATION NO.</b>   | <b>PUBLICATION DATE</b> |
|---|--|--|-------------------------|
| <b>PC-406-2E</b>  | <b>IO/LIO-360-C, -J; HIO, TIO,<br/>AEIO-360 Series</b> | <b>PC-406-2</b>  | <b>APRIL 1983</b>       |
| This page(s) furnished herewith are intended to replace the corresponding pages(s) of the publication indicated above.  |  |  |                         |
| <b>PREVIOUS REVISIONS</b>   |  | <b>CURRENT REVISION</b>  |                         |
| <p><b>April 1983</b><br/>Page 3-3</p> <p><b>November 1984</b><br/>Page 3-3</p> <p><b>March 1986</b><br/>Page 3-5</p> <p><b>March 2007</b><br/>Page 6-1, Added Pages 6-1A, 6-1B, Page 6-2; Page 9-1 thru<br/>Page 9-12, Added Page 9-13</p> <p><b>February 2009</b><br/>Page 3-5, Added Page 3-5A; Page 9-1 thru 9-13, Added Page 9-14</p> |  | <p><b>March 2009</b><br/>Page 3-7, 3-8, Adds Pages 3-8A, 3-8B, Page 3-9; Page 9-1 thru<br/>Page 9-14</p> |                         |

**Intentionally  
Left  
Blank**

## INTRODUCTION

This illustrated parts catalog contains a complete parts listing for the Lycoming IO, LIO, HIO, TIO, AEIO,-360 series wide cylinder flange crankcase model engines.

Major assembly and sub-assembly parts of the engines are listed in the Group Assembly sections in the general sequence of engine build up.

A Service Kits section and Oversize and Undersize Parts List are included to aid in ordering parts as necessary during overhaul.

The Numerical Index is provided for convenience in finding parts when only the part number is known.

Parts coverage of Vendor Accessories used on Lycoming engines may be found in the appropriate Vendor's Parts Catalog. A list of these publications appear in the latest edition of Service Letter No. L114.

### NOTE

The illustrations, pictures and drawings shown in this publication are typical of the subject matter they portray; in no instance are they to be interpreted as examples of any specific engine, equipment or part thereof.

### SERVICE BULLETINS, INSTRUCTIONS AND LETTERS

Although the information contained in this parts catalog is up-to-date at time of publication, users are urged to keep abreast of later information through all Lycoming distributors or from the factory by subscription. Consult the latest edition of Service Letter No. L114 for subscription information.

# IO, LIO, HIO, TIO, AEIO-360 SERIES

## TABLE OF CONTENTS

| SECTION   | PAGE    |
|---|---------|
| Introduction .....  | i       |
| Table of Contents .....   | ii, iii |
| Oversize and Undersize Parts List .....                                 | iv      |
| <b>1. CRANKCASE, CRANKSHAFT AND CAMSHAFT GROUP</b>                      |         |
| Crankcase Assembly .....  | 1-1     |
| Oil Level Gages and Crankcase Related Parts .....                       | 1-3     |
| Crankshaft, Camshaft and Related Parts .....                            | 1-5     |
| Crankshaft Idler Gears and Tachometer Drive .....                       | 1-8     |
| Propeller Governor Drive Assembly (Crankcase) .....                     | 1-10    |
| Crankcase Attaching Parts .....   | 1-12    |
| <b>2. ACCESSORY HOUSING AND RELATED PARTS</b>                           |         |
| Accessory Housing Assembly .....  | 2-1     |
| Propeller Governor Drives, Covers, Oil Lines and Adapter Assembly ..... | 2-3     |
| Propeller Governor and Turbo Scavenge Pump (TIO-360) .....              | 2-5     |
| Oil Pump Assembly and Accessory Housing Attaching Parts .....           | 2-7     |
| Oil Filter Assembly .....   | 2-9     |
| Oil Cooler and Breather Fittings .....                                  | 2-11    |
| Vacuum Pump Drives and Covers .....                                     | 2-13    |
| Fuel Pump and Fuel Pump Covers .....                                    | 2-15    |
| <b>3. CYLINDER, PISTON AND VALVE TRAIN</b>                              |         |
| Cylinder Assembly .....   | 3-1     |
| Connecting Rod, Piston and Ring Assemblies .....                        | 3-3     |
| Valve Assembly .....  | 3-5     |
| Cylinder Related Parts .....  | 3-7     |
| Cylinder Head Drain Tubes and Intercylinder Cooling Baffles .....       | 3-10    |
| <b>4. IGNITION SYSTEM</b>   |         |
| Magneto Drives and Magnetos .....                                       | 4-1     |
| Magneto Drives and Magnetos .....                                       | 4-3     |
| Magneto Drives and Magnetos (Dual Magnetos) .....                       | 4-5     |
| Magneto Drives and Magnetos .....                                       | 4-7     |
| Ignition Harness and Spark Plugs (TIO-360) .....                        | 4-9     |
| Ignition Harness and Spark Plugs .....                                  | 4-11    |
| Ignition Harness (Scintilla) and Spark Plugs .....                      | 4-13    |
| <b>5. ELECTRICAL SYSTEM</b>   |         |
| Alternator and Generator Mounting Brackets .....                        | 5-1     |
| Alternators, Generators, Regulators and Drive Belts .....               | 5-3     |
| Starting Motor and Magnetic Switch .....                                | 5-5     |

## TABLE OF CONTENTS (Cont.)

| SECTION  | PAGE |
|--|------|
| 6. OIL SUMP AND INDUCTION SYSTEM                           |      |
| Oil Sump Assembly and Oil Suction Screen .....             | 6-1  |
| Intake Pipes .....   | 6-3  |
| Fuel Injectors, Fuel Manifolds and Injection Nozzles ..... | 6-5  |
| Fuel Injectors, Fuel Manifolds and Injection Nozzles ..... | 6-7  |
| Fuel Lines, Fuel Hoses and Attaching Parts .....           | 6-9  |
| Fuel Lines, Fuel Hoses and Attaching Parts .....           | 6-10 |
| Fuel Lines, Fuel Hoses and Attaching Parts .....           | 6-12 |
| Injector Nozzle and Attaching Parts .....                  | 6-13 |
| 7. TURBOCHARGER AND EXHAUST SYSTEMS                        |      |
| Exhaust Manifold and Transition Assembly .....             | 7-1  |
| Turbocharger and Attaching Parts .....                     | 7-3  |
| Turbocharger Attaching Parts .....                         | 7-5  |
| Turbocharger Attaching Parts .....                         | 7-7  |
| Turbocharger Attaching Parts .....                         | 7-9  |
| Turbocharger Attaching Parts .....                         | 7-11 |
| 8. SERVICE KIT SECTION .....                               | 8-1  |
| 9. NUMERICAL INDEX .....                                   | 9-1  |



**Intentionally  
Left  
Blank**

# IO, LIO, HIO, TIO, AEIO-360 SERIES

## Oversize and Undersize Parts Listing

| PART NO. | DESCRIPTION               | OVERSIZE  |     |     |     |     |     |     | UNDERSIZE |     |     |
|----------|---------------------------|---|-----|-----|-----|-----|-----|-----|-----------|-----|-----|
|          |                           | P02   | P05 | P10 | P15 | P20 | P30 | P50 | M03       | M06 | M10 |
| 60028    | GUIDE, Intake valve       |   | X   | X   |     | X   | X   |     |           |     |     |
| 66610    | BUSHING, Rocker shaft     |   | X   | X   |     |     |     |     |           |     |     |
| 66670    | BUSHING, Rocker shaft     |   | X   | X   |     |     |     |     |           |     |     |
| 66713    | GUIDE, Intake valve       |   | X   | X   |     | X   | X   |     |           |     |     |
| 66796    | INSERT, Spark plug        |   |     | X   |     |     |     |     |           |     |     |
| 69260    | INSERT, Spark plug        |   |     | X   |     |     |     |     |           |     |     |
| 71894    | SEAT, Exhaust valve       |   |     | X   |     | X   | X   |     |           |     |     |
| 71903    | BUSHING, Counterweight    | SEE LATEST EDITION OF SERVICE INSTRUCTION NO. 1143 FOR APPLICATION. |     |     |     |     |     |     |           |     |     |
| 72057    | SEAT, Intake valve        |   |     | X   |     | X   | X   |     |           |     |     |
| 72058    | SEAT, Exhaust valve       |   |     | X   |     | X   | X   |     |           |     |     |
| 72060    | BUSHING, Prop. flange     |   | X   | X   | X   | X   |     |     |           |     |     |
| 72061    | BUSHING, Prop. flange     |   | X   | X   | X   | X   |     |     |           |     |     |
| 72062    | BUSHING, Prop. flange     |   | X   | X   | X   | X   |     |     |           |     |     |
| 72074    | BUSHING, Prop. flange     |   | X   | X   |     | X   |     |     |           |     |     |
| 72212    | SEAT, Intake valve        |   |     | X   |     | X   | X   |     |           |     |     |
| 72897    | GUIDE, Exhaust valve      |   | X   | X   |     | X   | X   |     |           |     |     |
| 73810    | BUSHING, Crankshaft       | SEE LATEST EDITION OF SERVICE INSTRUCTION NO. 1142 FOR APPLICATION. |     |     |     |     |     |     |           |     |     |
| 73857    | RING, Piston              |   |     | X   |     | X   |     |     |           |     |     |
| 74230    | GUIDE, Exhaust valve      |   | X   | X   |     | X   | X   |     |           |     |     |
| 74241    | RING, Piston              |   |     | X   |     |     |     |     |           |     |     |
| 75560    | BUSHING, Prop. flange     |   | X   | X   |     | X   |     |     |           |     |     |
| 75561    | BUSHING, Prop. flange     |   | X   | X   |     | X   |     |     |           |     |     |
| 75838    | GUIDE, Exhaust valve      |   | X   | X   |     | X   | X   |     |           |     |     |
| LW-10647 | DOWEL, Crankshaft bearing |   | X   | X   |     |     |     |     |           |     |     |
| LW-11021 | BEARING, Crankshaft       |   |     |     |     |     |     |     | X         | X   | X   |
| LW-12688 | SEAT, Intake valve        |   |     | X   |     | X   | X   |     |           |     |     |
| LW-13521 | BEARING, Connecting rod   |   |     |     |     |     |     |     | X*        | X*  | X*  |
| LW-13792 | SEAL, Crankshaft          |   |     |     |     |     |     | X   |           |     |     |
| LW-13884 | BEARING, Crankshaft       |   |     |     |     |     |     |     | X         | X   | X   |
| LW-13885 | BEARING, Crankshaft       |   |     |     |     |     |     |     | X         | X   | X   |
| LW-15628 | SEAL, Crankshaft          |   |     |     |     |     |     | X   |           |     |     |
| STD-1065 | DOWEL, Crankshaft         | X   | X   | X   | X   |     |     |     |           |     |     |
| STD-2078 | DOWEL, Crankshaft         | X   | X   | X   | X   |     |     |     |           |     |     |

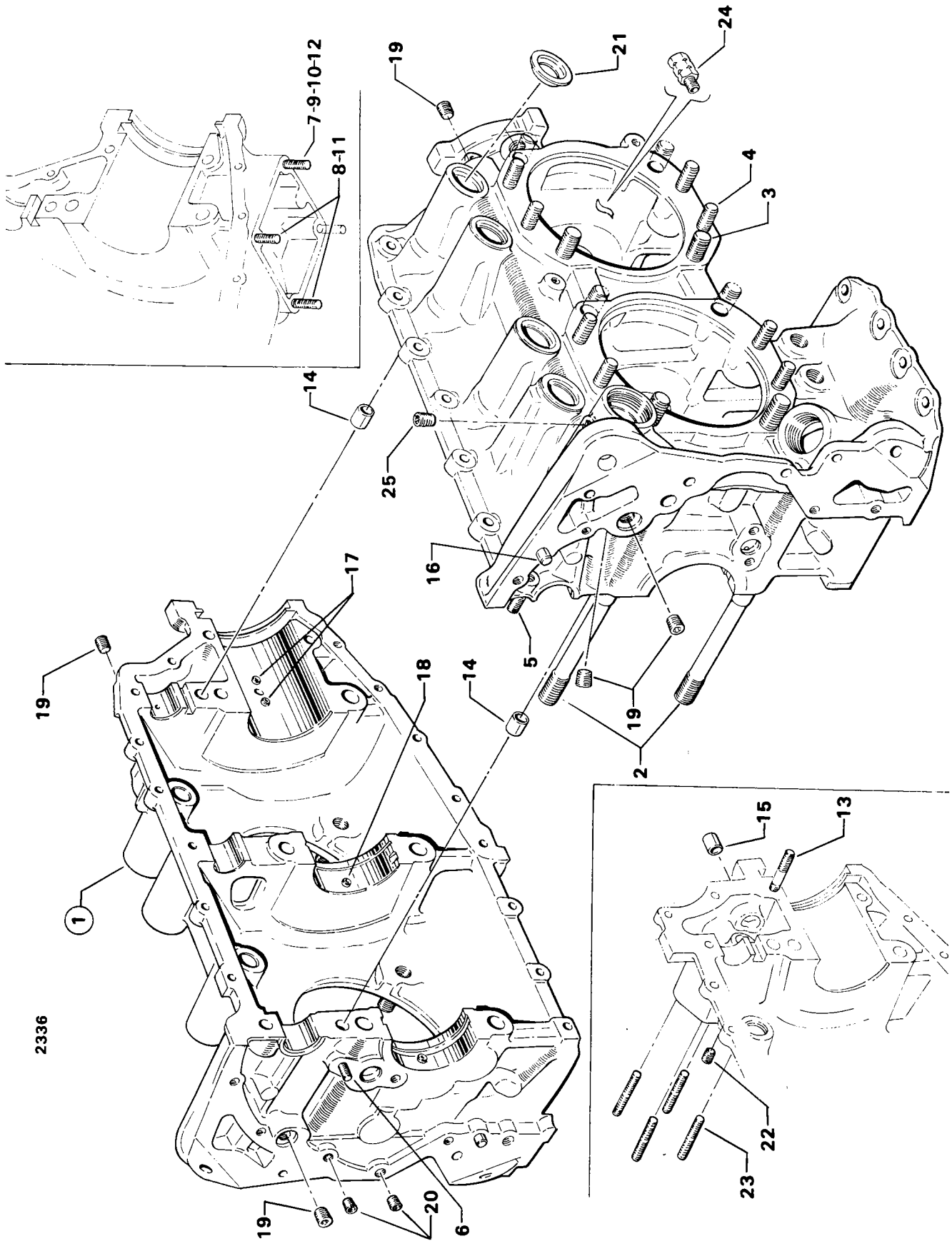
Studs available in P03, P07 and P12.

\* Also available in P-10 oversize.

### NOTE

When ordering oversize or undersize parts, be sure to specify the required oversize or undersize dimension along with the proper part number. For example: to order bearing LW-13521 in .003 undersize, order part number LW-13521-M3. Oversize code letter is "P" while undersize code letter is "M". These letters are then followed by the numbers designating the size in thousandths of an inch.



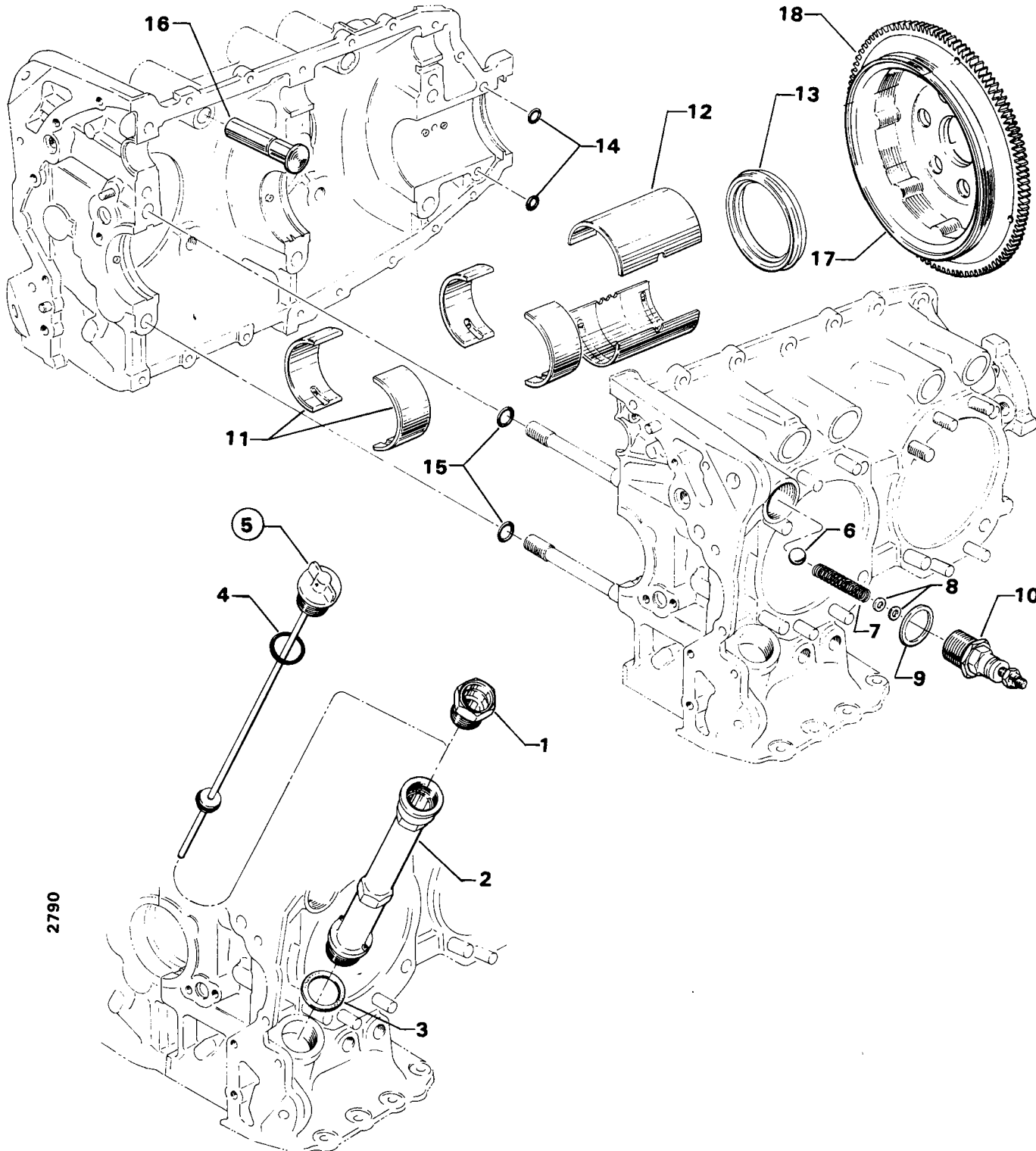


2336

Figure 1. CRANKCASE ASSEMBLY



LYCOMING 10, L10, H10, T10, AE10-360 SERIES PARTS CATALOG  
WIDE CYLINDER FLANGE CRANKCASE MODEL ENGINES



2790

Figure 2. OIL LEVEL GAGES AND CRANKCASE RELATED PARTS

# LYCOMING IO, LIO, HIO, TIO, AEIO-360 SERIES PARTS CATALOG

WIDE CYLINDER FLANGE CRANKCASE MODEL ENGINES

## CRANKCASE, CRANKSHAFT AND CAMSHAFT GROUP

### CRANKSHAFT, CAMSHAFT AND RELATED PARTS

| FIG. REF. | PART NUMBER | DESCRIPTION                                   | O<br>N<br><br>A<br>L<br>L | QUANTITY PER ASSEMBLY |     |     |      |      |      |         |       |      |         |     |     |          |     |     |     |     |     |     |
|-----------|-------------|---|---------------------------|-----------------------|-----|-----|------|------|------|---------|-------|------|---------|-----|-----|----------|-----|-----|-----|-----|-----|-----|
|           |             |   |                           | LIO-360               |     |     |      |      |      |         |       |      | TIO-360 |     |     |          |     |     |     |     |     |     |
|           |             |   |                           | IO-360                |     |     |      |      |      | HIO-360 |       |      |         |     |     | AEIO-360 |     |     |     |     |     |     |
|           |             |   |                           | C1A                   | C1B | C1C | C1C6 | C1D6 | C1E6 | C1F     | J1A6D | C1E6 | A1A     | B1A | C1A | C1B      | D1A | E1A | E1B | F1A | A1B | A1E |
|           | LW-11229    | CRANKSHAFT & COUNTERWEIGHT ASSY.              |                           |                       |     |     |      |      |      |         |       |      |         |     |     |          |     |     |     |     |     |     |
|           | LW-11579    | CRANKSHAFT & COUNTERWEIGHT ASSY.              |                           |                       |     |     |      |      |      |         |       |      |         |     |     |          |     |     |     |     |     |     |
|           | LW-12336    | CRANKSHAFT & COUNTERWEIGHT ASSY.              |                           |                       |     |     |      |      |      |         |       |      |         |     |     |          |     |     |     |     |     |     |
|           | LW-17273    | CRANKSHAFT & COUNTERWEIGHT ASSY.              |                           |                       |     |     |      |      |      |         |       |      |         |     |     |          |     |     |     |     |     |     |
|           | LW-17276    | CRANKSHAFT & COUNTERWEIGHT ASSY.              |                           |                       |     |     |      |      |      |         |       |      |         |     |     |          |     |     |     |     |     |     |
|           | LW-17277    | CRANKSHAFT & COUNTERWEIGHT ASSY.              |                           |                       |     |     |      |      |      |         |       |      |         |     |     |          |     |     |     |     |     |     |
|           | LW-17281    | CRANKSHAFT & COUNTERWEIGHT ASSY.              |                           |                       |     |     |      |      |      |         |       |      |         |     |     |          |     |     |     |     |     |     |
| 1         | 74966       | CRANKSHAFT ASSEMBLY                           |                           |                       |     |     |      |      |      |         |       |      |         |     |     |          |     |     |     |     |     |     |
|           | 74708       | CRANKSHAFT ASSEMBLY                           |                           |                       |     |     |      |      |      |         |       |      |         |     |     |          |     |     |     |     |     |     |
|           | 77417       | CRANKSHAFT ASSEMBLY                           |                           |                       |     |     |      |      |      |         |       |      |         |     |     |          |     |     |     |     |     |     |
|           | 75157       | CRANKSHAFT ASSEMBLY                           |                           |                       |     |     |      |      |      |         |       |      |         |     |     |          |     |     |     |     |     |     |
|           | 76428       | CRANKSHAFT ASSEMBLY                           |                           |                       |     |     |      |      |      |         |       |      |         |     |     |          |     |     |     |     |     |     |
|           | LW-12335    | CRANKSHAFT ASSEMBLY                           |                           |                       |     |     |      |      |      |         |       |      |         |     |     |          |     |     |     |     |     |     |
|           | 78134       | CRANKSHAFT ASSEMBLY                           |                           |                       |     |     |      |      |      |         |       |      |         |     |     |          |     |     |     |     |     |     |
|           | 77851       | CRANKSHAFT ASSEMBLY                           |                           |                       |     |     |      |      |      |         |       |      |         |     |     |          |     |     |     |     |     |     |
|           | LW-11228    | CRANKSHAFT ASSEMBLY                           |                           |                       |     |     |      |      |      |         |       |      |         |     |     |          |     |     |     |     |     |     |
|           | LW-11578    | CRANKSHAFT ASSEMBLY                           |                           |                       |     |     |      |      |      |         |       |      |         |     |     |          |     |     |     |     |     |     |
|           | LW-13688    | CRANKSHAFT ASSEMBLY                           |                           |                       |     |     |      |      |      |         |       |      |         |     |     |          |     |     |     |     |     |     |
|           | LW-16059    | CRANKSHAFT ASSEMBLY                           |                           |                       |     |     |      |      |      |         |       |      |         |     |     |          |     |     |     |     |     |     |
|           | LW-17166    | CRANKSHAFT ASSEMBLY                           |                           |                       |     |     |      |      |      |         |       |      |         |     |     |          |     |     |     |     |     |     |
|           | LW-17168    | CRANKSHAFT ASSEMBLY                           |                           |                       |     |     |      |      |      |         |       |      |         |     |     |          |     |     |     |     |     |     |
|           | LW-17170    | CRANKSHAFT ASSEMBLY                           |                           |                       |     |     |      |      |      |         |       |      |         |     |     |          |     |     |     |     |     |     |
|           | LW-17171    | CRANKSHAFT ASSEMBLY                           |                           |                       |     |     |      |      |      |         |       |      |         |     |     |          |     |     |     |     |     |     |
|           | LW-17173    | CRANKSHAFT ASSEMBLY                           |                           |                       |     |     |      |      |      |         |       |      |         |     |     |          |     |     |     |     |     |     |
|           | LW-17246    | CRANKSHAFT ASSEMBLY                           |                           |                       |     |     |      |      |      |         |       |      |         |     |     |          |     |     |     |     |     |     |
|           | LW-17249    | CRANKSHAFT ASSEMBLY                           |                           |                       |     |     |      |      |      |         |       |      |         |     |     |          |     |     |     |     |     |     |
|           | LW-17250    | CRANKSHAFT ASSEMBLY                           |                           |                       |     |     |      |      |      |         |       |      |         |     |     |          |     |     |     |     |     |     |
|           | LW-17254    | CRANKSHAFT ASSEMBLY                           |                           |                       |     |     |      |      |      |         |       |      |         |     |     |          |     |     |     |     |     |     |
|           | LW-17160    | CRANKSHAFT ASSEMBLY                           |                           |                       |     |     |      |      |      |         |       |      |         |     |     |          |     |     |     |     |     |     |
| 2         | STD-1211    | PLUG, 2.00 dia. expansion                     |                           |                       |     |     |      |      |      |         |       |      |         |     |     |          |     |     |     |     |     |     |
| 3         | LW-14529    | PLUG, 2-1/16 dia. expansion                   |                           |                       |     |     |      |      |      |         |       |      |         |     |     |          |     |     |     |     |     |     |
| 4         | 77416       | PLUG, Crankshaft                              |                           |                       |     |     |      |      |      |         |       |      |         |     |     |          |     |     |     |     |     |     |
| 5         | 1102        | PLUG, 1/8-27 pipe, Allen                      |                           |                       |     |     |      |      |      |         |       |      |         |     |     |          |     |     |     |     |     |     |
| 6         | STD-1065    | DOWEL, Stepped, 19/64 & 1/4 dia. x 55/64 long |                           |                       |     |     |      |      |      |         |       |      |         |     |     |          |     |     |     |     |     |     |
| 7         | STD-2078    | DOWEL, 3/8 OD x 1/2 long                      |                           |                       |     |     |      |      |      |         |       |      |         |     |     |          |     |     |     |     |     |     |
| 8         | 61510       | PLUG, 1-3/4 OD                                |                           |                       |     |     |      |      |      |         |       |      |         |     |     |          |     |     |     |     |     |     |
| 9         | 74711       | PLUG, 1-1/4 OD                                |                           |                       |     |     |      |      |      |         |       |      |         |     |     |          |     |     |     |     |     |     |
| 10        | 74710       | TUBE, Crankshaft oil                          |                           |                       |     |     |      |      |      |         |       |      |         |     |     |          |     |     |     |     |     |     |
| 11        | 68484       | TUBE, Crankshaft prop. oil                    |                           |                       |     |     |      |      |      |         |       |      |         |     |     |          |     |     |     |     |     |     |
| 12        | 72060       | BUSHING, Prop. flange, indexing               |                           |                       |     |     |      |      |      |         |       |      |         |     |     |          |     |     |     |     |     |     |
|           | 75560       | BUSHING, Prop. flange, indexing               |                           |                       |     |     |      |      |      |         |       |      |         |     |     |          |     |     |     |     |     |     |
|           | 72074       | BUSHING, Prop. flange, indexing               |                           |                       |     |     |      |      |      |         |       |      |         |     |     |          |     |     |     |     |     |     |
| 13        | 72061       | BUSHING, Prop. flange, short                  |                           |                       |     |     |      |      |      |         |       |      |         |     |     |          |     |     |     |     |     |     |
|           | 72061       | BUSHING, Prop. flange, short                  |                           |                       |     |     |      |      |      |         |       |      |         |     |     |          |     |     |     |     |     |     |

# LYCOMING IO, LIO, HIO, TIO, AEIO-360 SERIES PARTS CATALOG

WIDE CYLINDER FLANGE CRANKCASE MODEL ENGINES

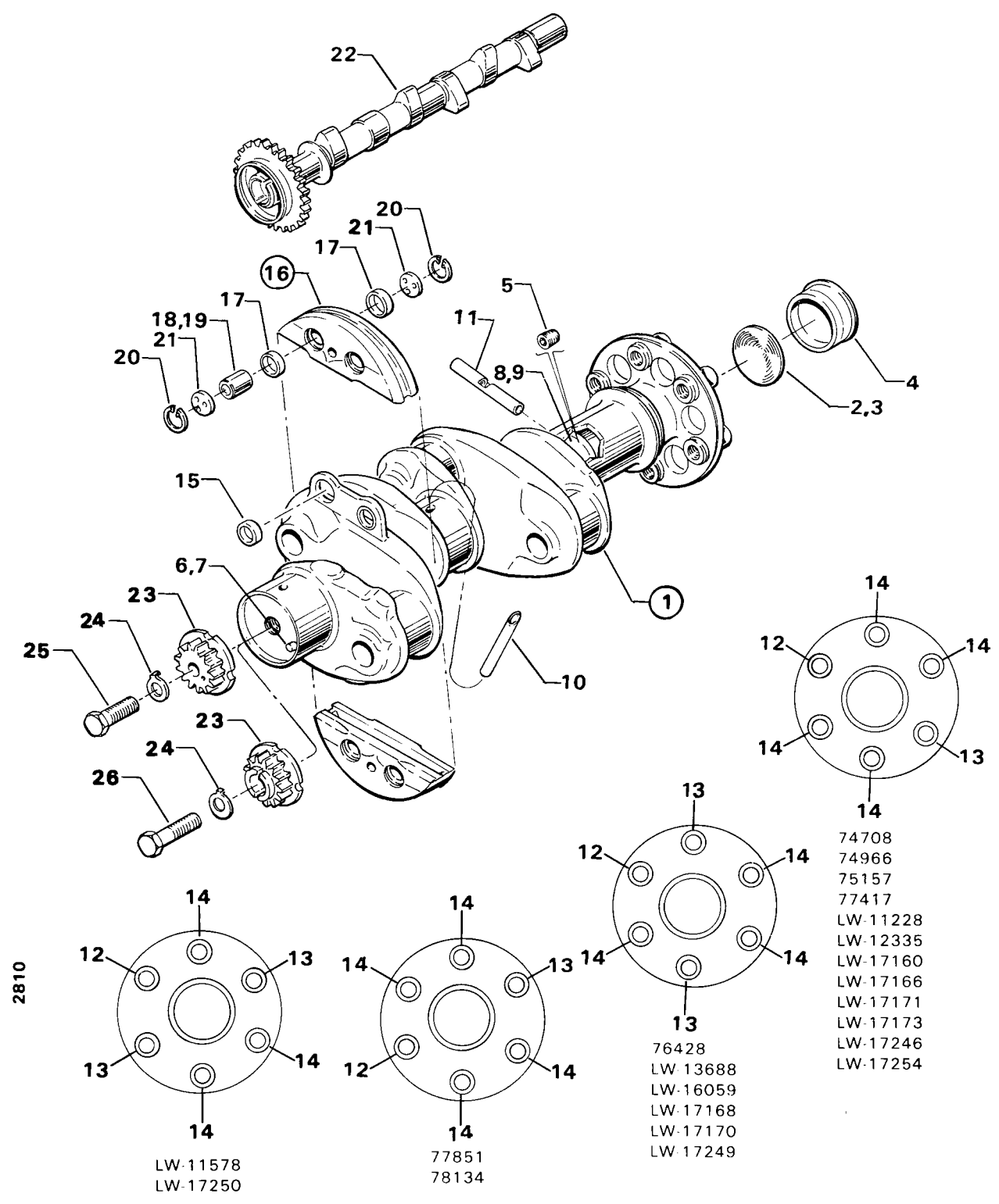
## CRANKCASE, CRANKSHAFT AND CAMSHAFT GROUP CRANKSHAFT, CAMSHAFT AND RELATED PARTS (Cont.)

| FIG. REF. | PART NUMBER | DESCRIPTION                           | QUANTITY PER ASSEMBLY     |         |     |     |     |     |     |     |     |     |     |         |     |     |     |     |     |     |     |     |     |          |     |     |  |
|-----------|-------------|---------------------------------------|---------------------------|---------|-----|-----|-----|-----|-----|-----|-----|-----|-----|---------|-----|-----|-----|-----|-----|-----|-----|-----|-----|----------|-----|-----|--|
|           |             |                                       | O<br>N<br><br>A<br>L<br>L | LIO-360 |     |     |     |     |     |     |     |     |     | TIO-360 |     |     |     |     |     |     |     |     |     |          |     |     |  |
|           |             |                                       |                           | IO-360  |     |     |     |     |     |     | ↓   |     |     | HIO-360 |     |     |     |     |     |     | ↓   |     |     | AEIO-360 |     |     |  |
|           |             |                                       |                           | C1A     | C1B | C1C | C1D | C1E | C1F | J1A | J1D | C1E | C1E | A1A     | B1A | C1A | C1B | D1A | E1A | E1D | F1A | F1D | A1B | A1E      | B1G | H1A |  |
| 14        | 72062       | BUSHING, Prop. flange, long           | 4                         | 4       | 4   | 4   | 4   | 4   | 4   | 3   | 3   | 4   | 4   | 4       | 4   |     |     | 4   | 4   | 4   | 4   | 4   | 4   |          |     |     |  |
|           | 75561       | BUSHING, Prop. flange, long           |                           |         |     |     |     |     |     |     |     |     |     | 3       | 3   |     |     | 3   | 3   | 3   |     |     |     |          |     |     |  |
| 15        | 73810       | BUSHING, Cr'kshaft dyn. ct'wt.        |                           |         |     | 4   | 4   | 4   | 4   | 4   | 4   |     |     |         |     |     |     |     |     |     |     |     | 4   |          |     |     |  |
| 16        | 72801       | COUNTERWEIGHT ASSY.                   |                           |         |     | 2   | 2   | 2   | 2   | 2   | 2   |     |     |         |     |     |     |     |     |     |     |     | 2   |          |     |     |  |
| 17        | 71903       | BUSHING, Dynamic counterweight        |                           |         |     | 8   | 8   | 8   | 8   | 8   | 8   |     |     |         |     |     |     |     |     |     |     |     | 8   |          |     |     |  |
| 18        | LW-10977    | ROLLER, Dynamic ct'wt., 8th order     |                           |         |     | 2   | 2   | 2   | 2   | 2   | 2   |     |     |         |     |     |     |     |     |     |     |     | 2   |          |     |     |  |
| 19        | LW-10945    | ROLLER, Dynamic ct'wt., 6.3 order     |                           |         |     | 2   | 2   | 2   | 2   | 2   | 2   |     |     |         |     |     |     |     |     |     |     |     | 2   |          |     |     |  |
| 20        | LW-14820    | RING, Internal retaining              |                           |         |     | 8   | 8   | 8   | 8   | 8   | 8   |     |     |         |     |     |     |     |     |     |     |     | 8   |          |     |     |  |
| 21        | 71907       | WASHER, Dynamic counterweight         |                           |         |     | 8   | 8   | 8   | 8   | 8   | 8   |     |     |         |     |     |     |     |     |     |     |     | 8   |          |     |     |  |
| 22        | 76097       | CAMSHAFT                              |                           |         |     |     |     |     |     |     |     | 1   | 1   | 1       | 1   |     |     | 1   | 1   |     |     |     | 1   | 1        |     |     |  |
|           | LW-11754    | CAMSHAFT                              | 1                         | 1       | 1   | 1   | 1   |     | 1   | 1   |     |     |     |         |     |     |     |     |     |     |     | 1   |     |          |     |     |  |
|           | LW-12312    | CAMSHAFT                              |                           |         |     |     | 1   |     |     |     |     |     |     |         |     |     |     |     |     |     |     | 1   |     |          |     |     |  |
|           | LW-14970    | CAMSHAFT                              |                           |         |     |     |     |     |     |     |     |     |     |         |     | 1   |     |     |     |     |     |     |     |          |     |     |  |
|           | LW-12311    | CAMSHAFT                              |                           |         |     |     |     |     |     | 1   |     |     |     |         |     |     |     |     |     |     |     |     |     |          |     |     |  |
|           | LW-15877    | CAMSHAFT                              |                           |         |     |     |     |     |     |     |     |     |     |         |     |     |     |     |     |     |     | 1   |     |          |     |     |  |
| 23        | 61155       | GEAR, Crankshaft                      | 1                         | 1       | 1   | 1   | 1   | 1   | 1   | 1   | 1   | 1   | 1   | 1       | 1   | 1   | 1   |     |     | 1   | 1   | 1   | 1   | 1        | 1   |     |  |
|           | LW-10284    | GEAR, Crankshaft                      |                           |         |     |     |     |     |     | 1   |     |     |     |         |     |     |     |     |     | 1   | 1   | 1   |     |          |     |     |  |
| 24        | 61156       | LOCKPLATE, Crankshaft gear            | 1                         | 1       | 1   | 1   | 1   | 1   | 1   | 1   | 1   | 1   | 1   | 1       | 1   | 1   | 1   |     |     |     |     | 1   | 1   | 1        | 1   |     |  |
|           | LW-10332    | LOCKPLATE, Crankshaft gear            |                           |         |     |     |     |     |     | 1   |     |     |     |         |     |     |     |     |     | 1   | 1   | 1   |     |          |     |     |  |
| 25        | STD-847     | SCREW, 5/16-24 x 1.00 long            | 1                         | 1       | 1   | 1   | 1   | 1   | 1   | 1   | 1   | 1   | 1   | 1       | 1   | 1   | 1   |     |     |     |     | 1   | 1   | 1        | 1   |     |  |
| 26        | AN8-14A     | BOLT, 1/2-20 x 1-19/32 long, hex. hd. |                           |         |     |     |     |     |     | 1   |     |     |     |         |     |     |     |     |     | 1   | 1   | 1   |     |          |     |     |  |



**Intentionally  
Left  
Blank**

**LYCOMING 10, L10, H10, T10, AE10-360 SERIES PARTS CATALOG**  
**WIDE CYLINDER FLANGE CRANKCASE MODEL ENGINES**



**Figure 3. CRANKSHAFT, CAMSHAFT AND RELATED PARTS**



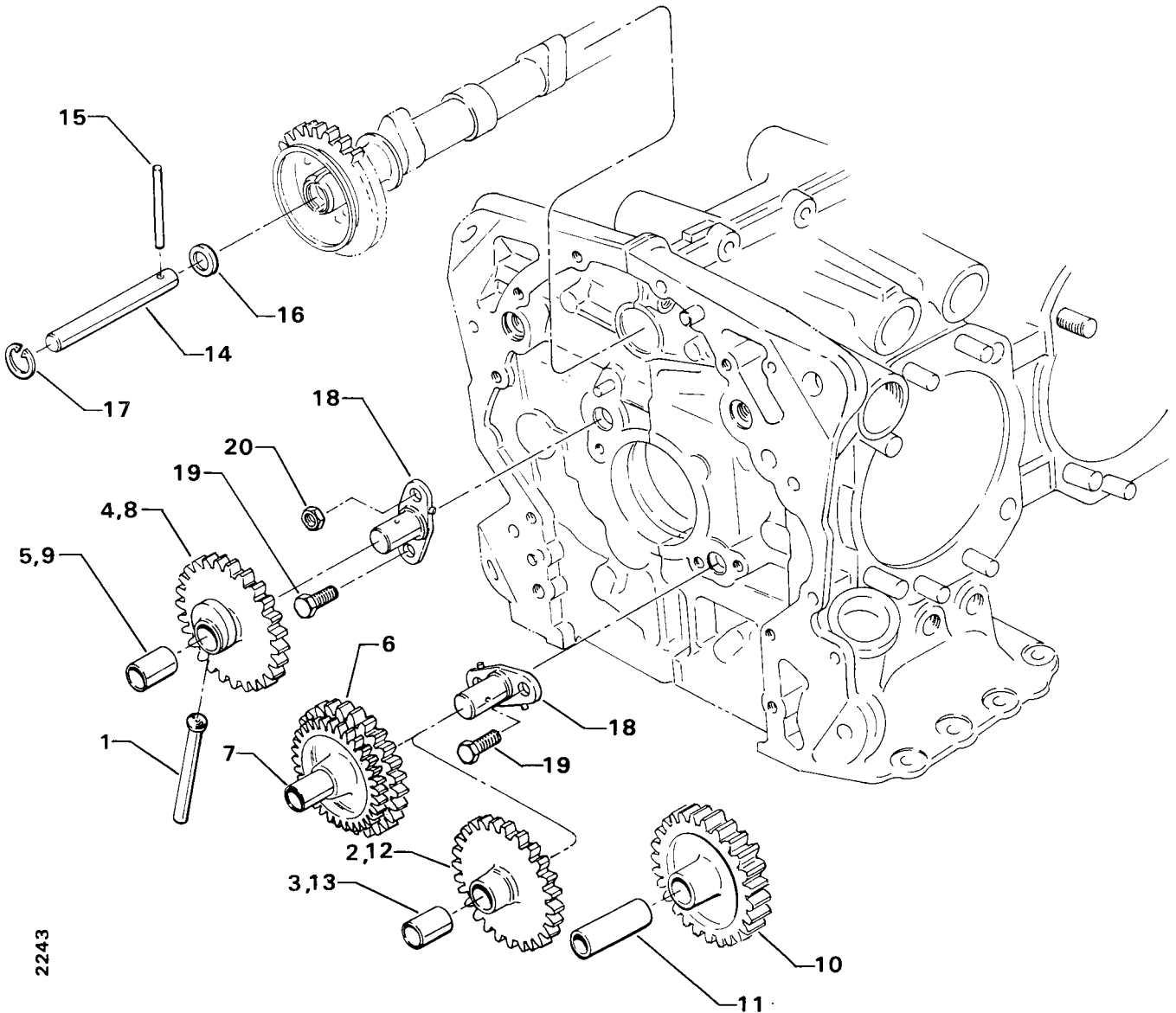


Figure 4. CRANKSHAFT IDLER GEARS AND TACHOMETER DRIVE

# LYCOMING IO, LIO, HIO, TIO, AEIO-360 SERIES PARTS CATALOG

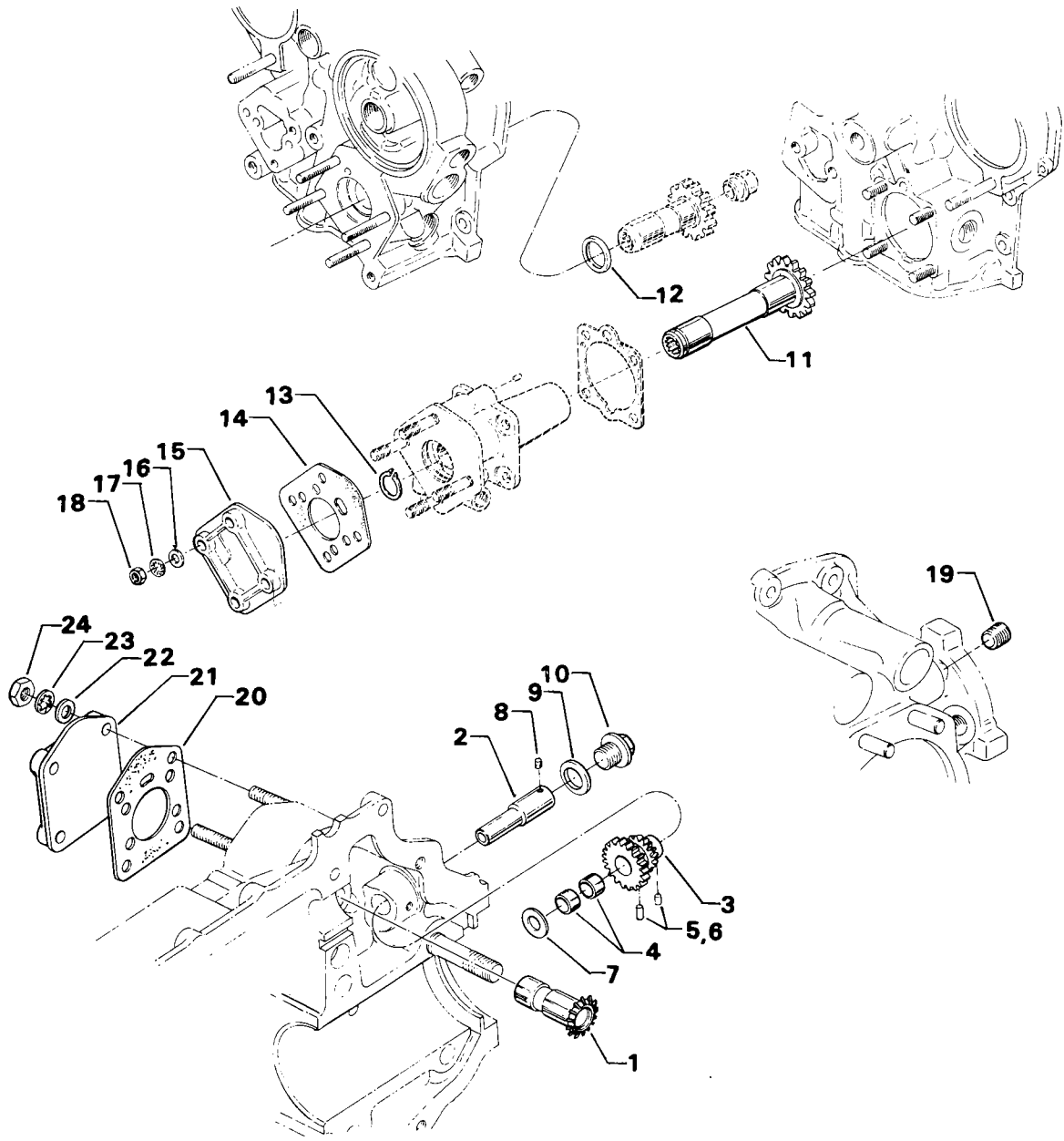
WIDE CYLINDER FLANGE CRANKCASE MODEL ENGINES

## CRANKCASE, CRANKSHAFT AND CAMSHAFT GROUP

PROPELLER GOVERNOR DRIVE ASSY. (CRANKCASE)

| FIG.<br>REF.<br><br>5 | PART<br>NUMBER | DESCRIPTION  | O<br>N<br><br>A<br>L<br>L |    | QUANTITY PER ASSEMBLY |             |             |             |             |             |             |             |             |             |             |             |             |             |             |             |             |             |             |             |             |             |
|-----------------------|----------------|--|---------------------------|----|-----------------------|-------------|-------------|-------------|-------------|-------------|-------------|-------------|-------------|-------------|-------------|-------------|-------------|-------------|-------------|-------------|-------------|-------------|-------------|-------------|-------------|-------------|
|                       |                |  |                           |    | LIO-360               |             |             |             |             |             |             |             |             |             | TIO-360     |             |             |             |             |             |             |             |             |             |             |             |
|                       |                |  |                           |    | IO-360                |             |             |             |             | HIO-360     |             |             |             |             | AEIO-360    |             |             |             |             |             |             |             |             |             |             |             |
|                       |                |  |                           |    | C<br>1<br>A           | C<br>1<br>B | C<br>1<br>C | C<br>1<br>D | C<br>1<br>E | C<br>1<br>F | J<br>1<br>A | J<br>1<br>D | C<br>1<br>E | A<br>1<br>A | B<br>1<br>A | C<br>1<br>A | C<br>1<br>B | D<br>1<br>A | E<br>1<br>A | E<br>1<br>B | F<br>1<br>A | F<br>1<br>D | A<br>1<br>B | A<br>1<br>E | B<br>1<br>G | H<br>1<br>A |
|                       |                |  |                           |    | 6                     | 6           | 6           | 6           | 6           | 6           | 6           | 6           | 6           | 6           | 6           | 6           | 6           | 6           | 6           | 6           | 6           | 6           | 6           | 6           | 6           | 6           |
| 1                     | 77875          | GEAR, Prop. governor driven                          |                           |    |                       |             |             | 1           |             |             |             |             |             |             |             |             |             |             |             |             |             | 1           |             |             |             |             |
| 2                     | LW-14021       | SHAFT, Prop. governor idler gear                     |                           |    |                       |             |             | 1           |             |             |             |             |             |             |             |             |             |             |             |             |             | 1           |             |             |             |             |
| 3                     | 77874          | GEAR ASSY., Prop. governor idler                     |                           |    |                       |             |             | 1           |             |             |             |             |             |             |             |             |             |             |             |             |             | 1           |             |             |             |             |
| 4                     | 77872          | BUSHING, Prop. governor idler gear                   |                           |    |                       |             |             | 2           |             |             |             |             |             |             |             |             |             |             |             |             |             | 2           |             |             |             |             |
| 5                     | STD-19         | DOWEL, 3/32 dia. x 7/32 long                         |                           |    |                       |             |             | 1           |             |             |             |             |             |             |             |             |             |             |             |             |             | 1           |             |             |             |             |
| 6                     | STD-798        | DOWEL, 3/32 dia. x 9/32 long                         |                           |    |                       |             |             | 1           |             |             |             |             |             |             |             |             |             |             |             |             |             | 1           |             |             |             |             |
| 7                     | 73249          | WASHER, Thrust                                       |                           |    |                       |             |             | un          |             |             |             |             |             |             |             |             |             |             |             |             |             | un          |             |             |             |             |
|                       | 73250          | WASHER, Thrust                                       |                           |    |                       |             |             | un          |             |             |             |             |             |             |             |             |             |             |             |             |             | un          |             |             |             |             |
|                       | 73251          | WASHER, Thrust                                       |                           |    |                       |             |             | un          |             |             |             |             |             |             |             |             |             |             |             |             |             | un          |             |             |             |             |
|                       | 73252          | WASHER, Thrust                                       |                           |    |                       |             |             | un          |             |             |             |             |             |             |             |             |             |             |             |             |             | un          |             |             |             |             |
| 8                     | AN565B1032H5   | SET SCREW, No. 10-32 x 5/16 long                     |                           |    |                       |             |             | 1           |             |             |             |             |             |             |             |             |             |             |             |             |             | 1           |             |             |             |             |
| 9                     | 70455          | GASKET, 25/32 ID x 1-1/8 OD x<br>1/16 thick          |                           |    |                       |             |             | 1           |             |             |             |             |             |             |             |             |             |             |             |             |             | 1           |             |             |             |             |
| 10                    | LW-13896       | PLUG, 3/4-16 hex. hd.                                |                           |    |                       |             |             | 1           |             |             |             |             |             |             |             |             |             |             |             |             |             | 1           |             |             |             |             |
| 11                    | 68317          | SHAFTGEAR, Prop. governor drive                      | 1                         | 1  | 1                     | 1           | 1           | 1           |             |             |             |             |             |             |             |             |             |             |             |             |             | 1           | 1           |             |             |             |
| 12                    | 71596          | WASHER, Accessory driven gear                        | 1                         | 1  | 1                     | 1           | 1           | 1           |             |             |             |             |             |             |             |             |             |             |             |             |             | 1           | 1           |             |             |             |
| 13                    | STD-1221       | RING, 13/16 dia. x 1/32 thick,<br>external retaining | 1                         | 1  | 1                     | 1           | 1           | 1           |             |             |             |             |             |             |             |             |             |             |             |             |             | 1           | 1           |             |             |             |
| 14                    | 69551          | GASKET, Accessory drive adapter                      |                           |    |                       |             |             | 1           |             | 1           | 1           | 1           | 1           | 1           | 1           |             |             |             |             |             |             | 1           |             |             |             |             |
| 15                    | 69106          | COVER, Governor drive adapter pad                    |                           |    |                       |             |             | 1           |             | 1           | 1           | 1           | 1           | 1           | 1           |             |             |             |             |             |             | 1           |             |             |             |             |
| 16                    | STD-35         | WASHER, 5/16 plain                                   |                           |    |                       |             |             | 4           |             | 4           | 4           | 4           | 4           | 4           | 4           |             |             |             |             |             |             | 4           |             |             |             |             |
| 17                    | STD-475        | WASHER, 5/16 lock, internal teeth                    |                           |    |                       |             |             | 4           |             | 4           | 4           | 4           | 4           | 4           | 4           |             |             |             |             |             |             | 4           |             |             |             |             |
| 18                    | STD-1410       | NUT, 5/16-18 plain                                   |                           |    |                       |             |             | 4           |             | 4           | 4           | 4           | 4           | 4           | 4           |             |             |             |             |             |             | 4           |             |             |             |             |
| 19                    | STD-783        | PLUG, 1/4-18 NPT, Allen                              |                           |    |                       |             |             |             |             | 1           | 1           | 1           | 1           | 1           | 1           | 1           |             |             |             |             |             |             |             |             |             |             |
| 20                    | 72053          | GASKET, Governor                                     | 1                         | 1  | 1                     | 1           | 1           | 1           | 1           |             |             |             |             |             |             |             |             |             |             |             |             | 1           | 1           |             |             |             |
| 21                    | 72378          | COVER, Governor drive                                | 1                         | 1  | 1                     | 1           | 1           | 1           | 1           |             |             |             |             |             |             |             |             |             |             |             |             | 1           | 1           |             |             |             |
| 22                    | STD-35*        | WASHER, 5/16 plain                                   | un                        | un | un                    | un          | un          | un          | un          |             |             |             |             |             |             |             |             |             |             |             |             | un          | un          |             |             |             |
| 23                    | STD-475        | WASHER, 5/16 lock, internal teeth                    | 4                         | 4  | 4                     | 4           | 4           | 4           | 4           |             |             |             |             |             |             |             |             |             |             |             |             | 4           | 4           |             |             |             |
| 24                    | STD-1410       | NUT, 5/16-18 plain                                   | 4                         | 4  | 4                     | 4           | 4           | 4           | 4           |             |             |             |             |             |             |             |             |             |             |             |             | 4           | 4           |             |             |             |

\* - 32 required for Woodward governor.  
4 required for "AN" governor.



2789

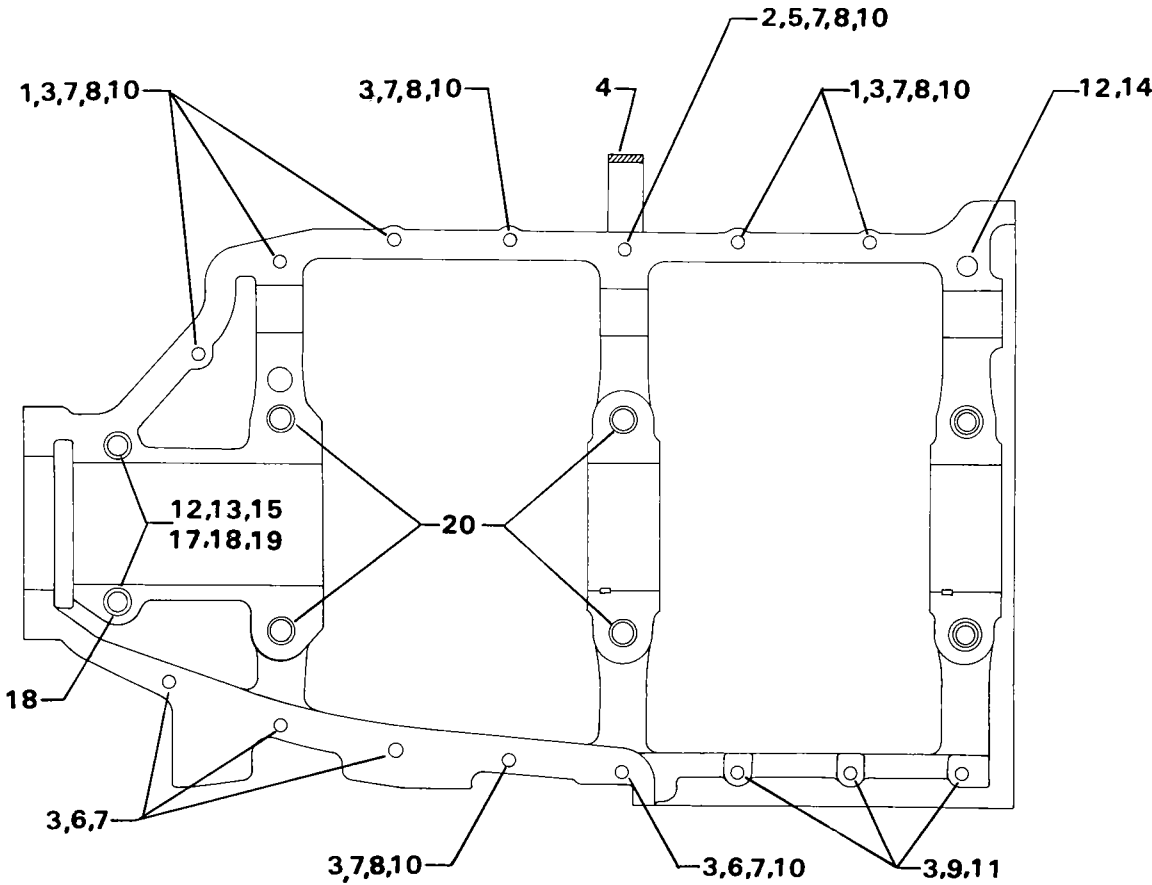
Figure 5. PROPELLER GOVERNOR DRIVE ASSEMBLY (CRANKCASE)

**LYCOMING IO, LIO, HIO, TIO, AEIO-360 SERIES PARTS CATALOG**  
 WIDE CYLINDER FLANGE CRANKCASE MODEL ENGINES

**CRANKCASE, CRANKSHAFT AND CAMSHAFT GROUP**  
 CRANKCASE ATTACHING PARTS

| FIG. REF. | PART NUMBER | DESCRIPTION                                    | O<br>N<br><br>A<br>L<br>L | QUANTITY PER ASSEMBLY |     |     |     |     |     |         |     |     |         |     |     |          |     |     |     |     |     |     |
|-----------|-------------|--|---------------------------|-----------------------|-----|-----|-----|-----|-----|---------|-----|-----|---------|-----|-----|----------|-----|-----|-----|-----|-----|-----|
|           |             |  |                           | LIO-360               |     |     |     |     |     |         |     |     | TIO-360 |     |     |          |     |     |     |     |     |     |
|           |             |  |                           | IO-360                |     |     |     |     |     | HIO-360 |     |     |         |     |     | AEIO-360 |     |     |     |     |     |     |
|           |             |  |                           | C1A                   | C1B | C1C | C1D | C1E | C1F | J1A     | J1B | C1E | A1A     | B1A | C1A | C1B      | D1A | E1A | E1B | F1A | A1B | A1E |
| 1         | STD-1414    | BOLT, 1/4-20 x 1-1/2 long, hex. hd.            |                           | 8                     | 8   | 8   | 8   | 8   | 8   | 8       | 8   | 8   | 8       | 8   | 8   | 8        | 8   | 8   | 8   | 8   | 5   | 5   |
| 2         | STD-1646    | BOLT, 1/4-20 x 2.00 long, hex. hd.             |                           |                       |     |     |     |     |     |         |     |     |         |     |     |          |     |     |     |     | 2   | 2   |
| 3         | STD-8       | WASHER, 1/4 plain                              |                           | 19                    | 19  | 19  | 19  | 19  | 20  | 19      | 19  | 20  | 19      | 19  | 19  | 19       | 19  | 19  | 19  | 20  | 13  | 13  |
| 4         | 60803       | STRAP, Lifting                                 |                           | 1                     | 1   | 1   | 1   | 1   | 1   | 1       | 1   | 1   | 1       | 1   | 1   | 1        | 1   | 1   | 1   | 2   | 2   |     |
| 5         | STD-2084    | BOLT, 1/4-20 x 1-3/4 long, hex. hd.            | 1                         |                       |     |     |     |     |     |         |     |     |         |     |     |          |     |     |     |     |     |     |
| 6         | STD-1419    | BOLT, 1/4-20 x 1-1/8 long, hex. hd.            |                           | 3                     | 3   | 3   | 3   | 3   | 4   | 3       | 3   | 4   | 3       | 3   | 3   | 3        | 3   | 3   | 3   | 4   | 3   | 3   |
| 7         | STD-160     | WASHER, 1/4 lock, internal teeth               |                           | 12                    | 12  | 12  | 12  | 12  | 13  | 12      | 12  | 13  | 12      | 12  | 12  | 12       | 12  | 12  | 12  | 13  | 12  | 12  |
| 8         | STD-1411    | NUT, 1/4-20 plain                              | 9                         |                       |     |     |     |     |     |         |     |     |         |     |     |          |     |     |     |     |     |     |
| 9         | STD-1416    | BOLT, 1/4-20 x 1-1/2 long, hex. hd.<br>dr. end | 3                         |                       |     |     |     |     |     |         |     |     |         |     |     |          |     |     |     |     |     |     |
| 10        | STD-8       | WASHER, 1/4 plain (Max. 9)                     | un                        |                       |     |     |     |     |     |         |     |     |         |     |     |          |     |     |     |     |     |     |
| 11        | STD-1409    | NUT, 1/4-20 slotted shear                      | 3                         |                       |     |     |     |     |     |         |     |     |         |     |     |          |     |     |     |     |     |     |
| 12        | STD-33      | WASHER, 3/8 plain                              | 3                         |                       |     |     |     |     |     |         |     |     |         |     |     |          |     |     |     |     |     |     |
| 13        | AN960-616L  | WASHER, 3/8 plain thick (Max. 3)               | un                        |                       |     |     |     |     |     |         |     |     |         |     |     |          |     |     |     |     |     |     |
| 14        | STD-872     | NUT, 3/8-24 slotted                            | 1                         |                       |     |     |     |     |     |         |     |     |         |     |     |          |     |     |     |     |     |     |
| 15        | AN6-34A     | BOLT, 3/8-24 x 3-37/64 long, hex. hd.          |                           | 2                     | 2   | 2   | 2   | 2   | 1   | 2       | 2   | 1   | 2       | 2   | 2   | 2        | 2   | 2   | 2   | 1   | 2   | 2   |
| 16        | LW-11866    | SPACER NUT, Compressor                         |                           |                       |     | 1   |     |     |     |         |     |     |         |     |     |          |     |     |     |     |     |     |
|           | LW-11866    | SPACER NUT, Compressor                         |                           |                       |     | 2   | 2   |     |     |         |     |     |         |     |     |          |     |     |     |     |     |     |
| 17        | STD-33      | WASHER, 3/8 plain                              |                           | 2                     | 2   | 2   |     | 2   | 2   | 2       | 2   | 2   | 2       | 2   | 2   | 2        | 2   | 2   | 2   | 2   | 2   | 2   |
|           | STD-33      | WASHER, 3/8 plain                              |                           |                       |     | 5   |     |     |     |         |     |     |         |     |     |          |     |     |     |     |     |     |
|           | STD-33      | WASHER, 3/8 plain                              |                           |                       |     | 6   | 6   |     |     |         |     |     |         |     |     |          |     |     |     |     |     |     |
| 18        | STD-678     | WASHER, 3/8 lock, internal teeth               |                           | 2                     | 2   | 2   |     | 2   | 2   | 2       | 2   | 2   | 2       | 2   | 2   | 2        | 2   | 2   |     | 2   | 2   | 2   |
|           | STD-678     | WASHER, 3/8 lock, internal teeth               |                           |                       |     | 1   |     |     |     |         |     |     |         |     |     |          |     |     |     |     |     |     |
| 19        | STD-596     | NUT, 3/8-24 plain                              |                           | 2                     | 2   | 2   |     | 2   | 2   | 2       | 2   | 2   | 2       | 2   | 2   | 2        | 2   | 2   |     | 2   | 2   | 2   |
|           | STD-596     | NUT, 3/8-24 plain                              |                           |                       |     | 1   |     |     |     |         |     |     |         |     |     |          |     |     |     |     |     |     |
| 20        | 76220       | STUD, 1/2-20 x 10-11/16 long                   | 4                         |                       |     |     |     |     |     |         |     |     |         |     |     |          |     |     |     |     |     |     |

LYCOMING 10, L10, H10, T10, AE10-360 SERIES PARTS CATALOG  
WIDE CYLINDER FLANGE CRANKCASE MODEL ENGINES



2279

Figure 6. CRANKCASE ATTACHING PARTS



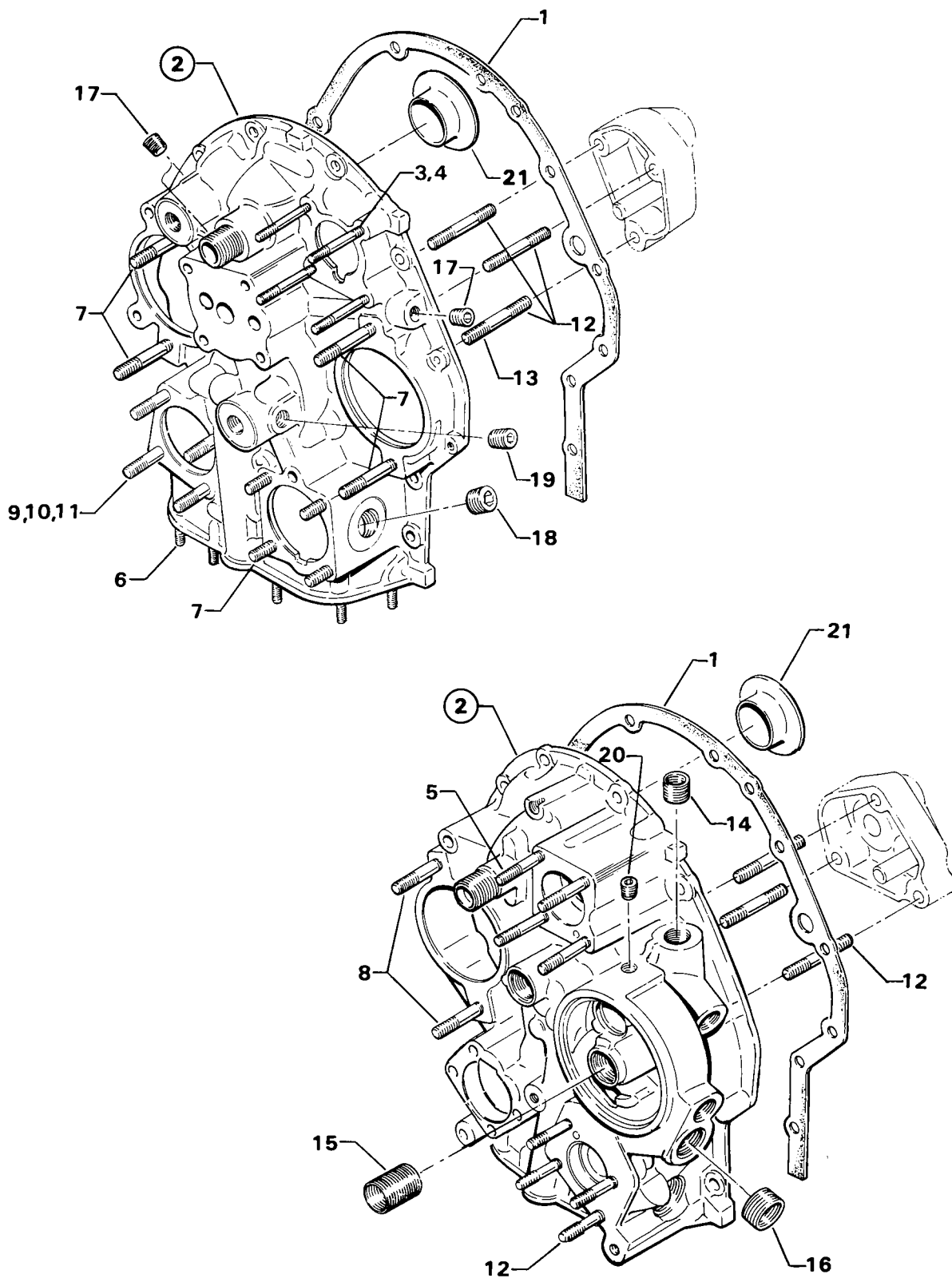
# LYCOMING IO, LIO, HIO, TIO, AEIO-360 SERIES PARTS CATALOG

WIDE CYLINDER FLANGE CRANKCASE MODEL ENGINES

## ACCESSORY HOUSING AND RELATED PARTS

### ACCESSORY HOUSING ASSEMBLY

| FIG.<br>REF. | PART<br>NUMBER | DESCRIPTION                            | O<br>N<br><br>A<br>L<br>L | QUANTITY PER ASSEMBLY |             |             |                  |                  |                  |             |                       |                  |             |             |             |             |             |                  |                  |                  |             |             |
|--------------|----------------|--|---------------------------|-----------------------|-------------|-------------|------------------|------------------|------------------|-------------|-----------------------|------------------|-------------|-------------|-------------|-------------|-------------|------------------|------------------|------------------|-------------|-------------|
|              |                |  |                           | LIO-360               |             |             |                  |                  |                  |             |                       |                  | TIO-360     |             |             |             |             |                  |                  |                  |             |             |
|              |                |  |                           | IO-360                |             |             |                  |                  |                  | HIO-360     |                       |                  |             |             |             | AEIO-360    |             |                  |                  |                  |             |             |
|              |                |  |                           | C<br>1<br>A           | C<br>1<br>B | C<br>1<br>C | C<br>1<br>C<br>6 | C<br>1<br>D<br>6 | C<br>1<br>E<br>6 | C<br>1<br>F | J<br>1<br>A<br>6<br>D | C<br>1<br>E<br>6 | A<br>1<br>A | B<br>1<br>A | C<br>1<br>A | C<br>1<br>B | D<br>1<br>A | E<br>1<br>A<br>D | E<br>1<br>B<br>D | F<br>1<br>A<br>D | A<br>1<br>B | A<br>1<br>E |
| 1            | 73818          | GASKET, Accessory housing              | 1                         |                       |             |             |                  |                  |                  |             |                       |                  |             |             |             |             |             |                  |                  |                  |             |             |
| 2            | 76110          | HOUSING ASSEMBLY, Accessory            |                           |                       |             | 1           |                  | 1                |                  |             |                       |                  |             |             |             |             |             |                  | 1                |                  | 1           |             |
|              | 76111          | HOUSING ASSEMBLY, Accessory            |                           |                       | 1           |             |                  |                  |                  |             |                       |                  |             |             |             |             |             |                  |                  |                  |             |             |
|              | 76143          | HOUSING ASSEMBLY, Accessory            |                           |                       |             |             |                  |                  |                  |             | 1                     |                  |             |             |             |             |             |                  |                  |                  |             |             |
|              | 76144          | HOUSING ASSEMBLY, Accessory            |                           | 1                     |             |             |                  |                  |                  | 1           |                       | 1                |             | 1           |             |             |             |                  |                  |                  |             |             |
|              | 76145          | HOUSING ASSEMBLY, Accessory            |                           |                       |             |             |                  |                  |                  |             |                       | 1                | 1           |             |             |             |             |                  |                  |                  |             |             |
|              | 77997          | HOUSING ASSEMBLY, Accessory            |                           |                       |             |             |                  |                  |                  |             |                       |                  |             |             |             |             |             |                  |                  | 1                | 1           |             |
|              | 77516          | HOUSING ASSEMBLY, Accessory            |                           |                       |             |             |                  |                  |                  |             |                       |                  |             |             |             |             |             | 1                |                  |                  |             |             |
|              | LW-10482       | HOUSING ASSEMBLY, Accessory            |                           |                       |             | 1           | 1                |                  | 1                |             |                       |                  |             |             |             |             |             |                  |                  |                  |             |             |
|              | LW-11520       | HOUSING ASSEMBLY, Accessory            |                           |                       |             |             |                  |                  |                  | 1           |                       |                  |             |             |             |             |             |                  |                  |                  |             |             |
|              | LW-10885       | HOUSING ASSEMBLY, Accessory            |                           |                       |             |             |                  |                  |                  | 1           |                       |                  |             |             |             |             |             |                  |                  |                  |             |             |
|              | LW-12968       | HOUSING ASSEMBLY, Accessory            |                           |                       |             |             |                  |                  |                  | 1           |                       |                  |             |             |             |             |             |                  |                  |                  |             |             |
|              | LW-10892       | HOUSING ASSEMBLY, Accessory            |                           |                       |             |             |                  |                  |                  |             |                       |                  |             |             |             | 1           | 1           | 1                |                  |                  |             |             |
|              | LW-14706       | HOUSING ASSEMBLY, Accessory            |                           |                       |             |             |                  |                  |                  |             |                       |                  |             | 1           |             |             |             |                  |                  |                  |             |             |
| 3            | 25C-22         | STUD, 1/4-20 x 2-3/4 long              |                           |                       | 4           | 4           | 4                | 4                | 4                | 4           | 4                     |                  |             |             |             |             |             | 4                | 4                | 4                | 4           |             |
| 4            | 61400          | STUD, 1/4-20 x 1-3/16 long             |                           | 4                     |             |             |                  |                  |                  |             |                       | 4                | 4           | 4           | 4           | 4           |             |                  |                  |                  |             |             |
| 5            | 25C-12         | STUD, 1/4-20 x 1-1/2 long              |                           |                       |             |             |                  |                  |                  | 4           |                       |                  |             |             |             |             |             |                  |                  |                  |             |             |
| 6            | 75888          | STUD, 1/4-20 x 1-1/4 long              |                           | 4                     |             |             |                  |                  |                  |             |                       | 4                | 10          | 4           |             | 4           | 6           | 6                | 6                |                  |             |             |
| 7            | 31C-12         | STUD, 5/16-18 x 1-1/2 long             |                           | 4                     | 6           | 6           | 6                | 6                | 6                | 6           |                       | 6                | 4           | 4           | 4           |             | 4           |                  |                  | 6                | 4           | 6           |
|              | 31C-12         | STUD, 5/16-18 x 1-1/2 long             |                           |                       |             |             |                  |                  |                  |             |                       |                  |             | 8           | 8           |             |             |                  | 8                |                  |             |             |
| 8            | 31C-13         | STUD, 5/16-18 x 1-5/8 long             |                           | 4                     | 2           |             |                  |                  |                  |             | 2                     | 4                | 4           | 4           |             | 4           | 2           | 2                | 2                |                  |             |             |
| 9            | 31C-16         | STUD, 5/16-18 x 2.00 long              |                           |                       |             |             |                  |                  |                  |             |                       |                  |             |             | 4           |             |             |                  |                  |                  |             |             |
| 10           | 31C-18         | STUD, 5/16-18 2-1/4 long               |                           |                       |             |             |                  |                  | 4                |             |                       |                  |             |             |             |             |             | 4                |                  |                  |             |             |
| 11           | 31C-19         | STUD, 5/16-18 x 2-3/8 long             |                           |                       |             | 2           | 2                | 2                | 2                | 2           |                       | 2                |             |             |             |             |             |                  | 2                |                  | 2           |             |
|              | 31C-19         | STUD, 5/16-18 x 2-3/8 long             |                           |                       |             |             |                  |                  |                  |             |                       |                  |             |             |             |             |             |                  |                  | 4                | 4           |             |
| 12           | 31CD-17        | STUD, 5/16-18 x 2-1/8 long, drilled    |                           | 3                     | 3           | 3           | 3                | 3                | 3                | 3           | 4                     | 2                | 3           | 3           | 3           | 3           | 3           |                  | 3                | 3                | 3           | 3           |
| 13           | 31CD-22        | STUD, 5/16-18 x 2-3/4 long, drilled    |                           |                       |             |             |                  |                  |                  |             |                       | 1                |             |             |             |             |             |                  |                  |                  |             |             |
| 14           | LW-12589       | INSERT, Heli-coil, 5/8-18 x 3/8 long   |                           |                       |             |             |                  |                  |                  | 1           |                       |                  |             |             |             | 1           | 1           | 1                |                  |                  |             |             |
| 15           | MS-124703      | INSERT, Heli-coil, 3/4-16 x 1-1/8 long |                           |                       |             |             |                  |                  |                  | 1           |                       |                  |             |             |             | 1           | 1           | 1                |                  |                  |             |             |
| 16           | LW-10341       | INSERT, Heli-coil, 1.00-14 x 3/8 long  |                           |                       |             |             |                  |                  |                  | 1           |                       |                  |             |             |             | 1           | 1           | 1                |                  |                  |             |             |
| 17           | 1102           | PLUG, 1/8 pipe, Allen                  |                           | 2                     | 1           | 2           |                  | 2                |                  |             |                       | 2                | 2           | 2           |             | 2           |             |                  |                  | 2                | 2           | 2           |
|              | 1102           | PLUG, 3/8 pipe, Allen                  |                           |                       |             | 3           | 3                |                  | 3                | 3           |                       | 3                |             | 3           | 3           |             |             |                  | 3                |                  |             |             |
| 18           | STD-784        | PLUG, 3/8 pipe, Allen                  |                           | 1                     | 1           | 1           |                  | 1                |                  |             |                       | 1                | 1           | 1           |             | 1           |             |                  |                  | 1                |             | 1           |
| 19           | STD-783        | PLUG, 1/4-18 NPT, Allen                |                           |                       |             |             |                  |                  |                  | 1           |                       |                  |             |             |             |             |             |                  |                  |                  |             |             |
| 20           | STD-1339       | PLUG, 1/16-27 NPT, Allen               |                           |                       |             |             |                  |                  |                  |             |                       |                  |             |             |             | 1           | 1           | 1                |                  |                  |             |             |
| 21           | 76119          | SHIELD, Accessory breather oil         | 1                         |                       |             |             |                  |                  |                  |             |                       |                  |             |             |             |             |             |                  |                  |                  |             |             |

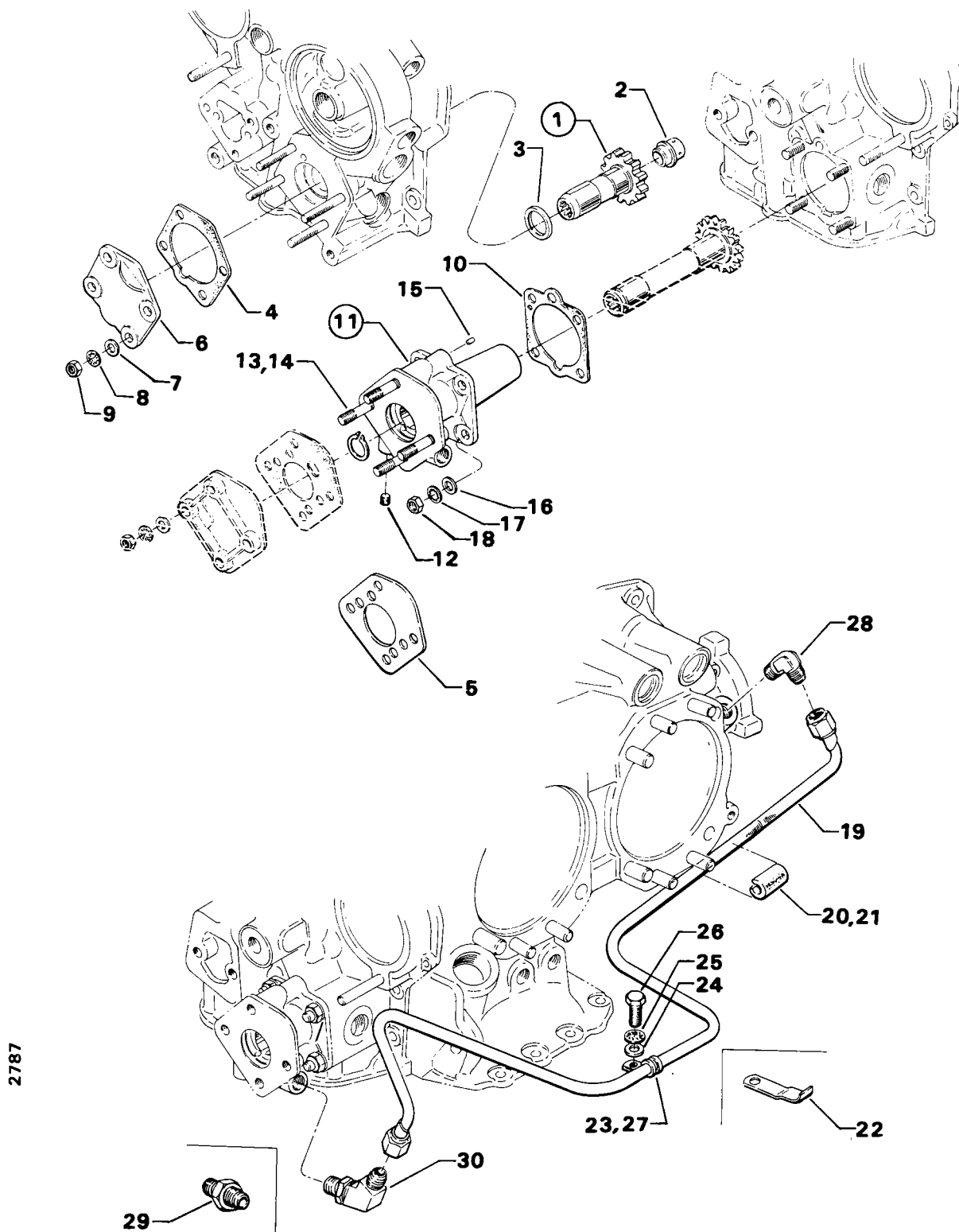


2807

Figure 7. ACCESSORY HOUSING ASSEMBLY



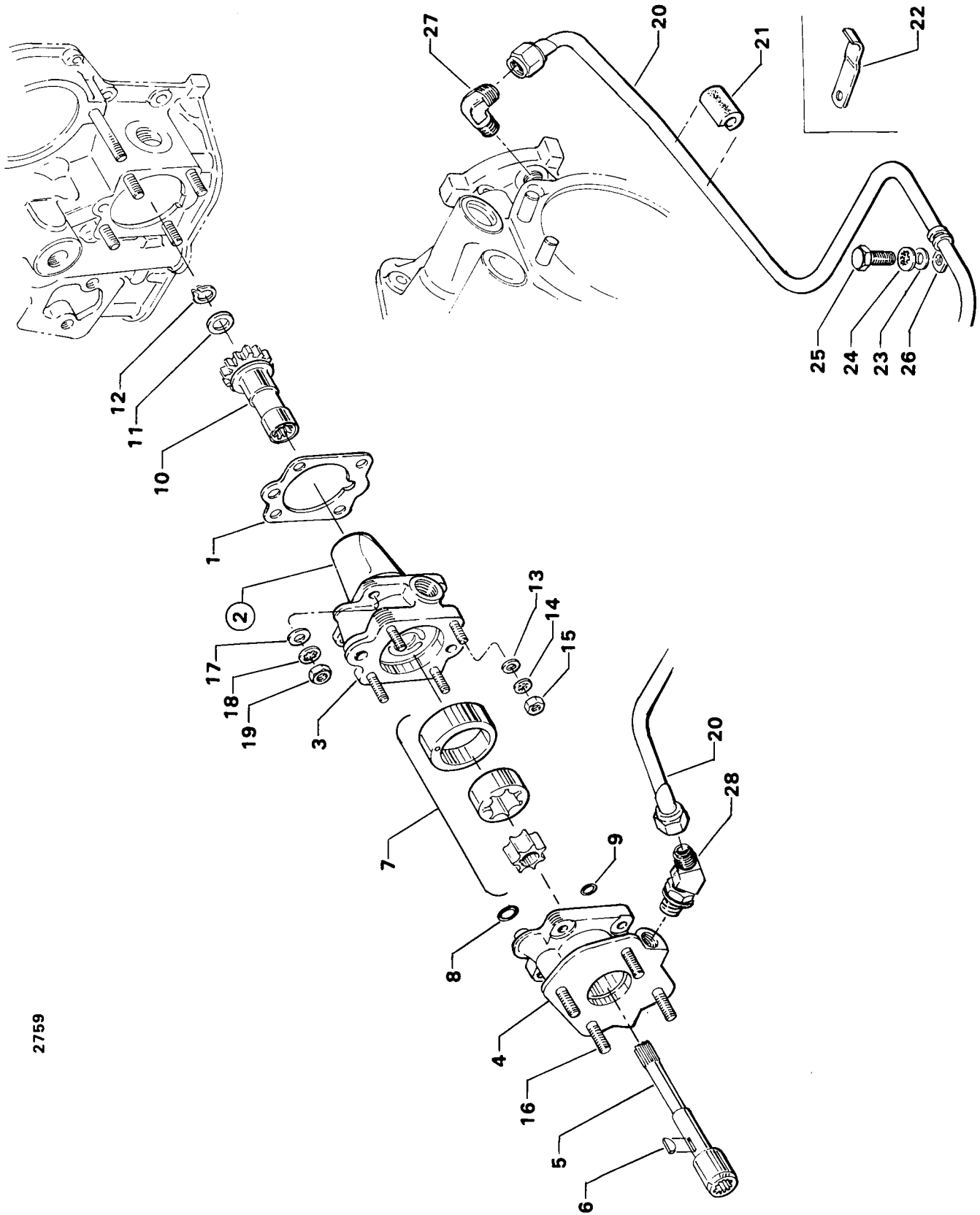
LYCOMING 10, L10, H10, T10, AE10-360 SERIES PARTS CATALOG  
WIDE CYLINDER FLANGE CRANKCASE MODEL ENGINES



2787

Figure 8. PROPELLER GOVERNOR DRIVES, COVERS, OIL LINES AND ADAPTER ASSEMBLY





2759

Figure 9. PROPELLER GOVERNOR AND TURBO SCAVENGE PUMP (T10-360)

**LYCOMING IO, LIO, HIO, TIO, AEIO-360 SERIES PARTS CATALOG**  
 WIDE CYLINDER FLANGE CRANKCASE MODEL ENGINES

**ACCESSORY HOUSING AND RELATED PARTS**  
 OIL PUMP ASSEMBLY AND ACCESSORY HOUSING ATTACHING PARTS

| FIG. REF. | PART NUMBER | DESCRIPTION                                      | QUANTITY PER ASSEMBLY     |         |     |     |     |     |         |     |     |     |     |          |     |     |     |     |     |     |     |     |     |     |   |
|-----------|-------------|--|---------------------------|---------|-----|-----|-----|-----|---------|-----|-----|-----|-----|----------|-----|-----|-----|-----|-----|-----|-----|-----|-----|-----|---|
|           |             |  | O<br>N<br><br>A<br>L<br>L | LIO-360 |     |     |     |     |         |     |     |     |     | TIO-360  |     |     |     |     |     |     |     |     |     |     |   |
|           |             |  |                           | IO-360  |     |     |     |     | HIO-360 |     |     |     |     | AEIO-360 |     |     |     |     |     |     |     |     |     |     |   |
|           |             |  |                           | C1A     | C1B | C1C | C1D | C1E | C1F     | J1A | J1D | C1E | A1A | B1A      | C1A | C1B | D1A | E1A | E1B | F1A | A1B | A1E | B1G | H1A |   |
| 1         | 78528       | BODY ASSY., Oil pump                             |                           | 1       | 1   | 1   | 1   | 1   | 1       | 1   | 1   |     |     | 1        | 1   | 1   | 1   | 1   |     |     | 1   | 1   | 1   | 1   |   |
|           | LW-11839    | BODY, Oil pump                                   |                           |         |     |     |     |     |         |     |     |     |     |          | 1   |     |     |     |     |     |     |     |     |     |   |
|           | LW-10342    | BODY, Oil pump                                   |                           |         |     |     |     |     |         |     |     |     |     |          |     |     |     |     |     |     |     |     |     |     |   |
| 2         | STD-1339    | PLUG, 1/16-27 NPT, Allen                         |                           | 1       | 1   | 1   | 1   | 1   | 1       | 1   | 1   |     |     | 1        | 1   | 1   | 1   | 1   |     |     | 1   | 1   | 1   | 1   |   |
| 3         | LW-13775    | IMPELLER ASSY., Oil pump driven                  |                           | 1       | 1   | 1   | 1   | 1   | 1       | 1   | 1   | 1   | 1   | 1        | 1   | 1   | 1   |     |     |     | 1   | 1   | 1   | 1   |   |
| 4         | 78530       | SHAFT, Oil pump idler                            |                           | 1       | 1   | 1   | 1   | 1   | 1       | 1   | 1   | 1   | 1   | 1        | 1   | 1   | 1   |     |     |     | 1   | 1   | 1   | 1   |   |
| 5         | LW-13774    | IMPELLER, Oil pump driven                        |                           | 1       | 1   | 1   | 1   | 1   | 1       | 1   | 1   | 1   | 1   | 1        | 1   | 1   |     |     |     | 1   | 1   | 1   | 1   |     |   |
| 6         | LW-18110    | IMPELLER ASSY., Oil pump driven                  |                           |         |     |     |     |     |         |     |     |     |     |          |     |     | 1   | 1   | 1   | 1   |     |     |     |     |   |
| 7         | 78530       | SHAFT, Oil pump idler                            |                           |         |     |     |     |     |         |     |     |     |     |          |     |     | 1   | 1   | 1   | 1   |     |     |     |     |   |
| 8         | LW-18108    | IMPELLER, Oil pump driven                        |                           |         |     |     |     |     |         |     |     |     |     |          |     |     | 1   | 1   | 1   | 1   |     |     |     |     |   |
| 9         | LW-14040    | GEAR ASSY., Oil pump drive                       |                           |         |     |     |     |     |         |     |     |     |     |          |     |     |     |     |     |     |     |     |     |     |   |
| 10        | 61166       | THRUST BUTTON                                    |                           |         |     |     |     |     |         |     |     |     |     |          |     |     |     |     |     |     |     |     |     |     |   |
| 11        | 61174       | SHAFT, Oil pump drive                            |                           | 1       | 1   | 1   | 1   | 1   | 1       | 1   | 1   | 1   | 1   | 1        | 1   | 1   |     |     |     |     | 1   | 1   | 1   | 1   |   |
| 12        | 60746       | IMPELLER, Oil pump driving                       |                           | 1       | 1   | 1   | 1   | 1   | 1       | 1   | 1   | 1   | 1   | 1        | 1   | 1   |     |     |     |     | 1   | 1   | 1   | 1   |   |
|           | LW-18109    | IMPELLER, Oil pump driving                       |                           |         |     |     |     |     |         |     |     |     |     |          |     |     | 1   | 1   | 1   | 1   |     |     |     |     |   |
| 13        | STD-35      | WASHER, 5/16 plain                               | 3                         |         |     |     |     |     |         |     |     |     |     |          |     |     |     |     |     |     |     |     |     |     |   |
| 14        | STD-1420    | NUT, 5/16-18 slotted                             |                           | 3       | 3   | 3   | 3   | 3   | 3       | 3   |     |     |     | 3        | 3   | 3   | 3   | 3   |     |     | 3   | 3   | 3   | 3   |   |
| 15        | STD-2150    | BOLT, 5/16-18 x 1-3/4 long                       |                           |         |     |     |     |     |         |     |     |     |     |          |     |     |     |     |     |     |     |     |     |     |   |
| 16        | STD-1227    | WASHER, 1/4 (copper)                             |                           |         |     |     |     |     |         |     |     |     |     |          |     |     |     |     |     |     |     |     |     |     |   |
| 17        | STD-1904    | BOLT, 1/4-20 x 2-3/4 long, hex. hd.,<br>dr. end. |                           |         |     |     |     |     |         |     |     |     |     |          |     |     |     |     |     |     |     |     |     |     |   |
| 18        | STD-8       | WASHER, 1/4 plain                                |                           |         |     |     |     |     |         |     |     |     |     |          |     |     |     |     |     |     |     |     |     |     |   |
| 19        | STD-1409    | NUT, 1/4-20 slotted shear                        |                           |         |     |     |     |     |         |     |     |     |     |          |     |     |     |     |     |     |     |     |     |     |   |
| 20        | LW-14260    | SEAL, Tachometer drive oil                       | 1                         |         |     |     |     |     |         |     |     |     |     |          |     |     |     |     |     |     |     |     |     |     |   |
| 21        | STD-8       | WASHER, 1/4 plain                                |                           | 12      | 12  | 12  | 12  | 12  | 12      | 12  | 12  | 12  | 12  | 12       | 12  | 12  | 12  | 12  | 12  | 10  | 12  | 12  | 12  |     |   |
| 22        | STD-160     | WASHER, 1/4 lock, internal teeth                 | 12                        |         |     |     |     |     |         |     |     |     |     |          |     |     |     |     |     |     |     |     |     |     |   |
| 23        | STD-1204    | BOLT, 1/4-20 x 15/16 long, hex. hd.              |                           | 10      | 10  | 10  | 10  | 10  | 10      | 10  | 9   | 10  | 10  | 10       | 10  | 10  | 10  | 9   | 9   | 9   | 9   | 10  | 10  | 10  |   |
| 24        | STD-1414    | BOLT, 1/4-20 x 1-1/2 long, hex. hd.              |                           | 2       | 2   | 2   | 2   | 2   | 2       | 2   |     |     | 2   | 2        | 2   | 2   |     |     |     |     | 1   | 2   | 2   | 2   |   |
| 25        | STD-1905    | BOLT, 1/4-20 x 2-5/16 long, hex. hd.             |                           |         |     |     |     |     |         |     |     |     |     |          |     |     |     |     |     |     |     | 1   |     |     |   |
| 26        | STD-1931    | BOLT, 1/4-20 x 1-7/8 long, hex. hd.              |                           |         |     |     |     |     |         |     |     |     |     |          |     |     |     |     |     |     |     | 1   |     |     |   |
| 27        | STD-1215    | BOLT, 1/4-20 x 1-1/4 long, hex. hd.              |                           |         |     |     |     |     |         |     |     |     |     |          |     |     |     |     |     |     |     | 1   | 1   | 1   |   |
| 28        | STD-1875    | BOLT, 1/4-20 x 13/16 long, hex. hd.              |                           |         |     |     |     |     |         |     |     |     |     |          |     |     |     |     |     |     |     |     | 2   | 2   | 2 |

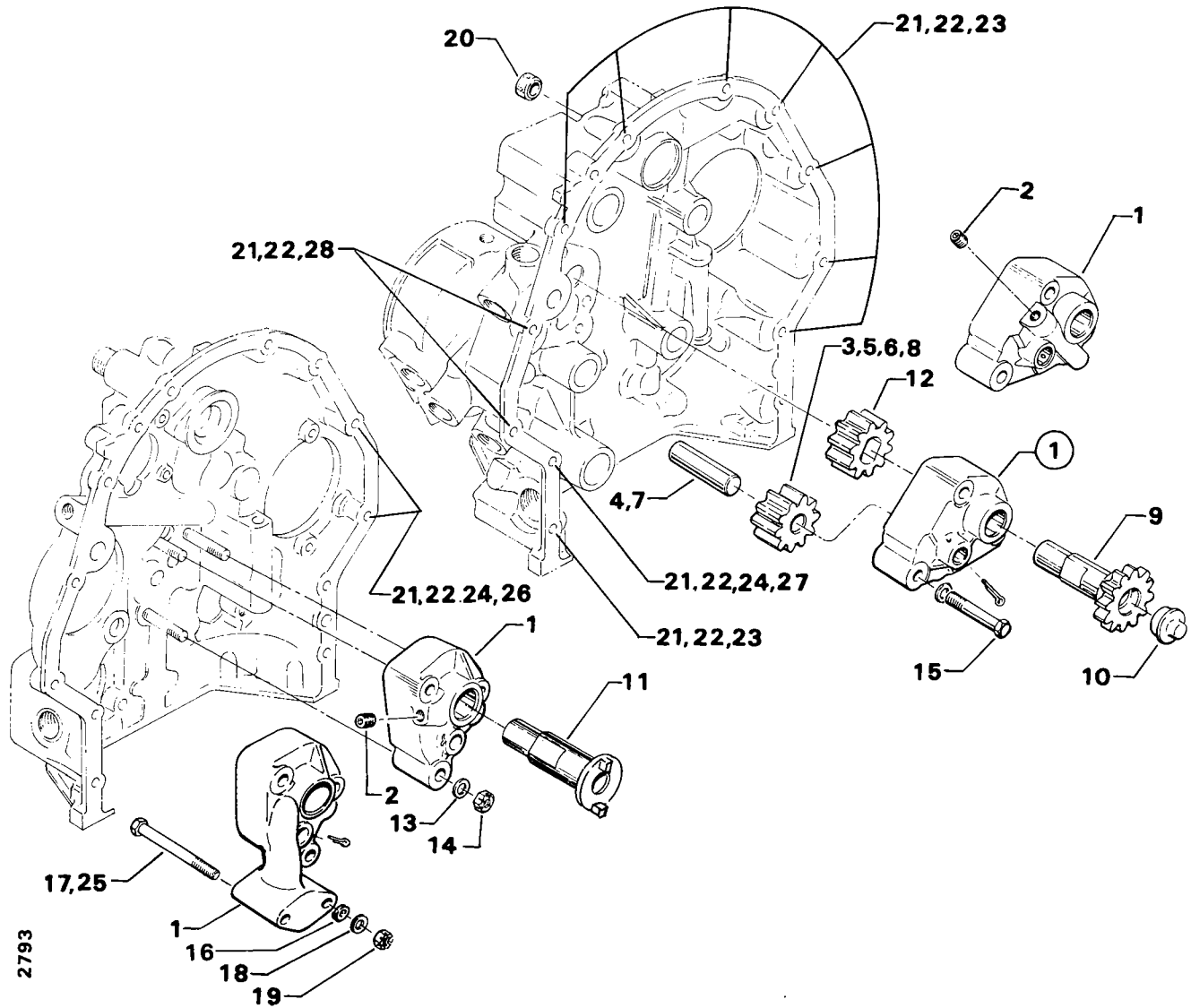


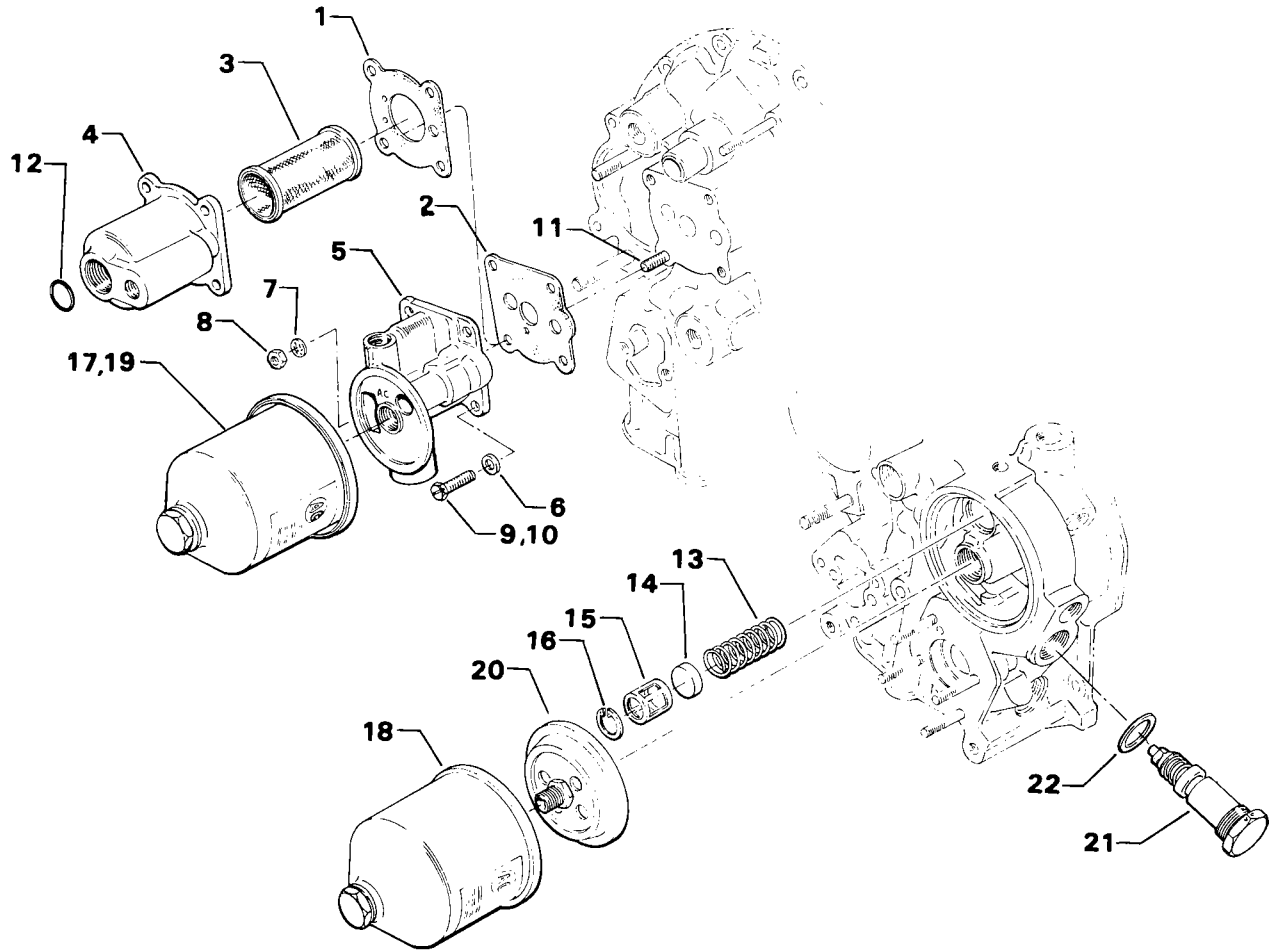
Figure 10. OIL PUMP ASSEMBLY AND ACCESSORY HOUSING ATTACHING PARTS



**LYCOMING IO, LIO, HIO, TIO, AEIO-360 SERIES PARTS CATALOG**  
**WIDE CYLINDER FLANGE CRANKCASE MODEL ENGINES**

**ACCESSORY HOUSING AND RELATED PARTS**  
**OIL FILTER ASSEMBLY**

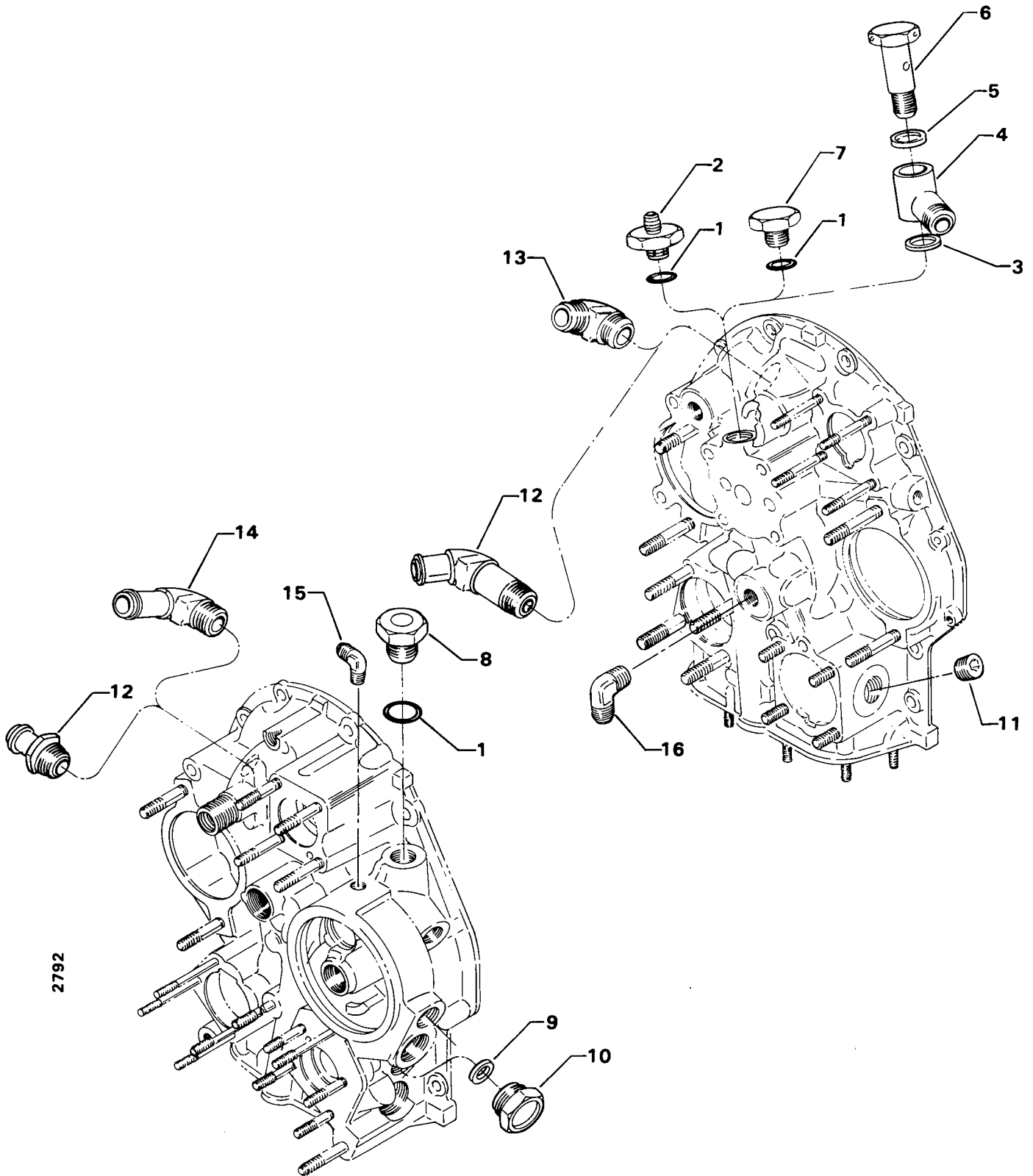
| FIG. REF. | PART NUMBER  | DESCRIPTION   | O<br>N<br><br>A<br>L<br>L | QUANTITY PER ASSEMBLY |     |     |     |         |     |     |     |          |     |     |     |     |     |     |     |     |     |     |
|-----------|--------------|---|---------------------------|-----------------------|-----|-----|-----|---------|-----|-----|-----|----------|-----|-----|-----|-----|-----|-----|-----|-----|-----|-----|
|           |              |   |                           | LIO-360               |     |     |     |         |     |     |     | TIO-360  |     |     |     |     |     |     |     |     |     |     |
|           |              |   |                           | IO-360                |     |     |     | HIO-360 |     |     |     | AEIO-360 |     |     |     |     |     |     |     |     |     |     |
|           |              |   |                           | C1A                   | C1B | C1C | C1D | C1E     | C1F | J1A | C1E | A1A      | B1A | C1A | C1B | D1A | E1A | E1B | F1A | A1B | A1E | B1G |
| 1         | 61173        | GASKET, Oil pressure housing                        |                           | 1                     | 1   |     |     | 1       |     |     |     |          |     | 1   | 1   | 1   | 1   | 1   |     |     | 1   | 1   |
| 2         | LW-12795     | GASKET, Oil filter adapter                          |                           |                       |     | 2   | 2   | 2       | 2   | 2   |     |          |     |     |     |     |     | 2   |     | 2   |     |     |
| 3         | 62817        | SCREEN ASSY., Oil pressure                          |                           | 1                     | 1   |     |     | 1       |     |     |     |          |     | 1   | 1   | 1   | 1   | 1   |     |     | 1   | 1   |
| 4         | 69510        | HOUSING, Thermostatic valve and oil pressure screen |                           | 1                     | 1   |     |     | 1       |     |     |     |          |     | 1   | 1   | 1   | 1   | 1   |     |     | 1   | 1   |
| 5         | 77852        | OIL FILTER BASE ASSEMBLY                            |                           |                       |     | 1   | 1   | 1       | 1   | 1   |     |          |     |     |     |     |     | 1   |     | 1   |     |     |
| 6         | STD-8        | WASHER, 1/4 plain                                   |                           | 4                     | 4   | 4   | 4   | 4       | 4   | 4   |     |          |     | 4   | 4   | 4   | 4   | 4   |     | 4   | 4   | 4   |
| 7         | STD-160      | WASHER, 1/4 internal lock                           |                           | 4                     | 4   | 1   | 1   | 1       | 1   | 1   |     |          |     | 1   | 4   | 4   | 4   | 4   |     | 1   |     | 1   |
| 8         | STD-1411     | NUT, 1/4-20 plain                                   |                           | 4                     | 4   | 1   | 1   | 1       | 1   | 1   |     |          |     | 1   | 4   | 4   | 4   | 4   |     | 1   |     | 1   |
| 9         | STD-1856     | SCREW, 1/4-20 x 15/16-1.00 long, hex. hd., slotted  |                           |                       |     | 4   |     |         | 4   |     |     |          |     |     | 4   | 4   |     |     |     | 4   |     | 4   |
|           | STD-1856     | SCREW, 1/4-20 x 15/16-1.00 long, hex. hd., slotted  |                           |                       |     | 3   | 3   | 3       | 3   | 3   |     |          |     |     |     |     |     |     | 3   |     | 3   |     |
| 10        | LW-25-0.75   | BOLT, 1/4-20 x 3/4 long, hex. hd.                   |                           |                       |     |     |     |         |     |     |     |          |     | 4   |     |     |     |     |     |     |     |     |
| 11        | 25C-10       | STUD, 1/4-20 x 1-1/4 long                           |                           |                       |     | 1   | 1   | 1       | 1   | 1   |     |          |     |     |     |     |     |     | 1   |     | 1   |     |
| 12        | STD-294      | GASKET, 7/8 OD x 5/8 ID x 3/32 annular              |                           | 1                     | 1   |     |     |         |     |     |     |          |     | 1   | 1   | 1   | 1   | 1   |     |     | 1   | 1   |
| 13        | LW-10321     | SPRING, Oil filter bypass valve                     |                           |                       |     |     |     |         |     | 1   |     |          |     |     |     |     | 1   | 1   | 1   |     |     |     |
| 14        | 76539        | SEAT, Oil relief valve                              |                           |                       |     |     |     |         |     | 1   |     |          |     |     |     |     | 1   | 1   | 1   |     |     |     |
| 15        | LW-10320     | SLEEVE, Oil filter bypass valve                     |                           |                       |     |     |     |         |     | 1   |     |          |     |     |     |     | 1   | 1   | 1   |     |     |     |
| 16        | MS16625-1100 | RING, Internal retaining                            |                           |                       |     |     |     |         |     | 1   |     |          |     |     |     |     | 1   | 1   | 1   |     |     |     |
| 17        | 77853        | OIL FILTER HOUSING ASSEMBLY                         |                           |                       |     | 1   |     | 1       | 1   | 1   |     |          |     |     |     |     |     |     | 1   |     |     |     |
| 18        | LW-13906     | OIL FILTER ASSY., Short                             |                           |                       |     |     |     |         |     | 1   |     |          |     |     |     |     | 1   | 1   | 1   |     |     |     |
| 19        | LW-13215     | OIL FILTER, Short                                   |                           |                       |     | 1   | 1   | 1       | 1   |     |     |          |     |     |     |     |     |     |     |     | 1   |     |
| 20        | LW-13904     | KIT, Converter plate, oil filter                    |                           |                       |     |     |     |         |     | 1   |     |          |     |     |     |     | 1   | 1   | 1   |     |     |     |
| 21        | 75944        | VALVE ASSY., Temp. control oil cooler bypass        |                           | 1                     |     |     |     |         |     |     |     |          |     |     |     |     |     |     |     |     |     |     |
| 22        | 76510        | GASKET, Valve assembly                              |                           | 1                     |     |     |     |         |     |     |     |          |     |     |     |     |     |     |     |     |     |     |



2556

Figure 11. OIL FILTER ASSEMBLY





2792

Figure 12. OIL COOLER AND BREATHER FITTINGS

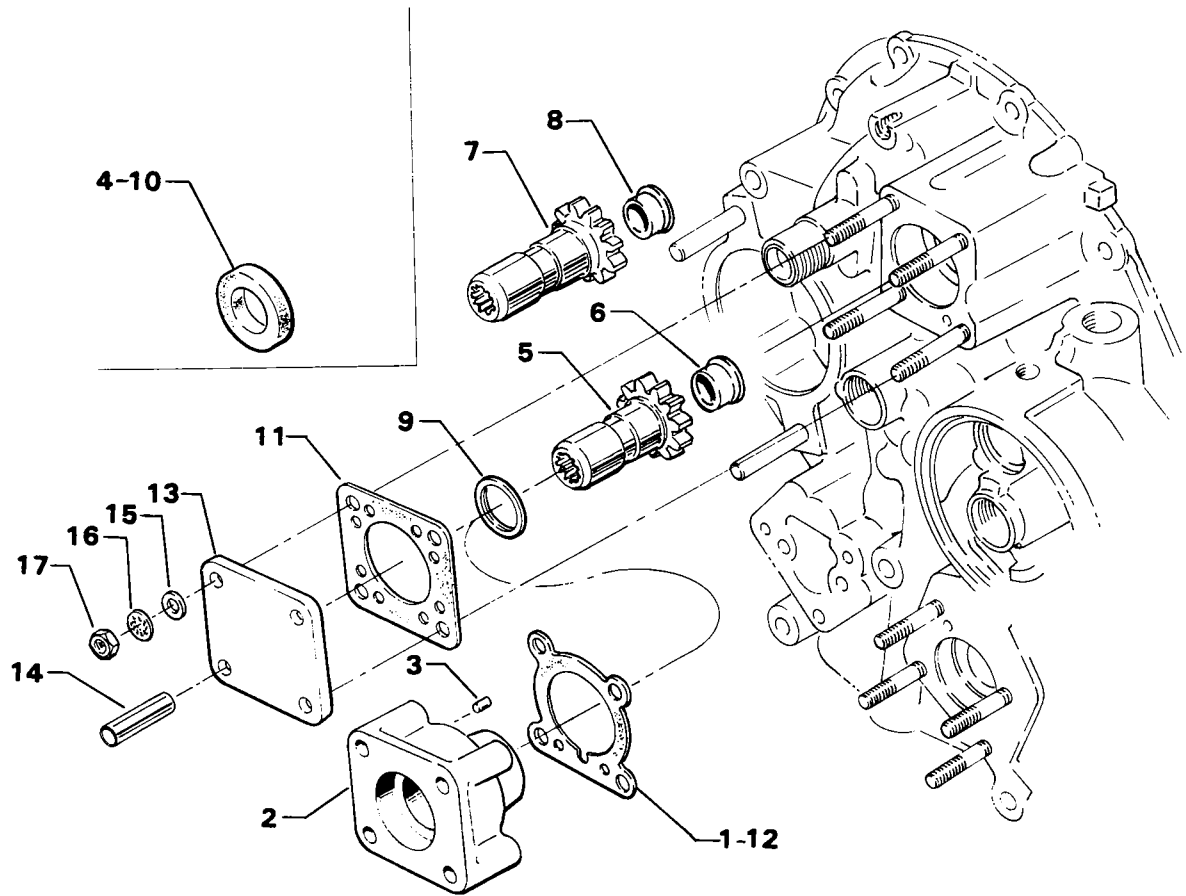
# LYCOMING IO, LIO, HIO, TIO, AEIO-360 SERIES PARTS CATALOG

WIDE CYLINDER FLANGE CRANKCASE MODEL ENGINES

## ACCESSORY HOUSING AND RELATED PARTS

### VACUUM PUMP DRIVES AND COVERS

| FIG.<br>REF. | PART<br>NUMBER | DESCRIPTION                                | O<br>N<br><br>A<br>L<br>L | QUANTITY PER ASSEMBLY |             |             |                  |                  |                  |             |   |                       |                  |             |             |             |             |             |   |                  |                  |                  |             |
|--------------|----------------|--|---------------------------|-----------------------|-------------|-------------|------------------|------------------|------------------|-------------|---|-----------------------|------------------|-------------|-------------|-------------|-------------|-------------|---|------------------|------------------|------------------|-------------|
|              |                |  |                           | LIO-360               |             |             |                  |                  |                  |             |   | TIO-360               |                  |             |             |             |             |             |   |                  |                  |                  |             |
|              |                |  |                           | IO-360                |             |             |                  |                  |                  |             | ↓ | HIO-360               |                  |             |             |             |             |             | ↓ | AEIO-360         |                  |                  |             |
|              |                |  |                           | C<br>1<br>A           | C<br>1<br>B | C<br>1<br>C | C<br>1<br>C<br>6 | C<br>1<br>D<br>6 | C<br>1<br>E<br>6 | C<br>1<br>F |   | J<br>1<br>A<br>6<br>D | C<br>1<br>E<br>6 | A<br>1<br>A | B<br>1<br>A | C<br>1<br>A | C<br>1<br>B | D<br>1<br>A |   | E<br>1<br>A<br>D | E<br>1<br>B<br>D | F<br>1<br>A<br>D | A<br>1<br>B |
| 1            | 61183          | GASKET, Accessory adapter                  |                           |                       | 1           | 1           | 1                | 1                | 1                | 1           | 1 | 1                     | 1                |             |             |             |             |             |   | 1                |                  |                  |             |
| 2            | 61098          | ADAPTER ASSY., Vacuum pump                 |                           |                       | 1           | 1           | 1                | 1                | 1                | 1           | 1 | 1                     | 1                |             |             |             |             |             |   | 1                |                  |                  |             |
| 3            | STD-1774       | PIN, 1/8 dia. x 1/4 long                   |                           |                       | 1           | 1           | 1                | 1                | 1                | 1           | 1 | 1                     | 1                |             |             |             |             |             |   | 1                |                  |                  |             |
| 4            | STD-208        | OIL SEAL, 7/8 ID x 1-1/2 OD x<br>5/16 wide |                           |                       | 1           | 1           | 1                | 1                | 1                | 1           | 1 | 1                     | 1                |             |             |             |             |             |   | 1                |                  |                  |             |
| 5            | 72970          | GEAR ASSY., Vacuum pump driven             |                           |                       | 1           | 1           | 1                | 1                | 1                | 1           | 1 | 1                     | 1                |             |             |             |             |             |   | 1                |                  |                  |             |
| 6            | 72962          | THRUST BUTTON, Vacuum pump cover           |                           |                       | 1           | 1           | 1                | 1                | 1                | 1           | 1 | 1                     | 1                |             |             |             |             |             |   | 1                |                  |                  |             |
| 7            | LW-10305       | GEAR ASSY., Accessory driven               |                           |                       |             |             |                  |                  |                  |             |   |                       | 1                |             |             |             |             |             |   |                  |                  |                  |             |
| 8            | 61166          | THRUST BUTTON                              |                           |                       |             |             |                  |                  |                  |             |   |                       | 1                |             |             |             |             |             |   |                  |                  |                  |             |
| 9            | 71596          | WASHER, Accessory driven gear              |                           |                       | 1           | 1           | 1                | 1                | 1                | 1           | 1 | 1                     | 1                |             |             |             |             |             |   | 1                |                  |                  |             |
| 10           | STD-208        | OIL SEAL, 7/8 ID x 1-1/2 OD x<br>5/16 wide |                           |                       |             |             |                  |                  |                  |             |   |                       | 1                |             |             |             |             |             |   |                  |                  |                  |             |
| 11           | 8313           | GASKET, Vacuum pump                        |                           |                       | 1           | 1           | 1                | 1                | 1                | 1           | 1 | 1                     | 1                |             |             |             |             |             |   | 1                |                  |                  |             |
| 12           | 61183          | GASKET, Accessory adapter                  |                           | 1                     | 1           |             |                  |                  |                  |             |   |                       |                  | 1           | 1           | 1           | 1           | 1           |   |                  | 1                | 1                | 1           |
| 13           | 60430          | COVER, Vacuum pump                         |                           | 1                     | 1           | 1           | 1                | 1                | 1                | 1           | 1 | 1                     | 1                | 1           | 1           | 1           | 1           | 1           |   | 1                | 1                | 1                | 1           |
| 14           | 68593          | SPACER, Vacuum pump stud                   |                           |                       | 1           |             |                  |                  |                  |             |   |                       |                  |             |             |             |             |             |   |                  | 1                | 1                | 1           |
| 15           | STD-8          | WASHER, 1/4 plain                          |                           | 4                     | 4           | 4           | 4                | 4                | 4                | 4           | 4 | 4                     | 4                | 4           | 4           | 4           | 4           | 4           |   | 4                | 4                | 4                | 4           |
| 16           | STD-160        | WASHER, 1/4 lock, internal teeth           |                           | 4                     | 4           | 4           | 4                | 4                | 4                | 4           | 4 | 4                     | 4                | 4           | 4           | 4           | 4           | 4           |   | 4                | 4                | 4                | 4           |
| 17           | STD-1411       | NUT, 1/4-20 plain                          |                           | 4                     | 4           | 4           | 4                | 4                | 4                | 4           | 4 | 4                     | 4                | 4           | 4           | 4           | 4           | 4           |   | 4                | 4                | 4                | 4           |



2750

Figure 13. VACUUM PUMP DRIVES AND COVERS



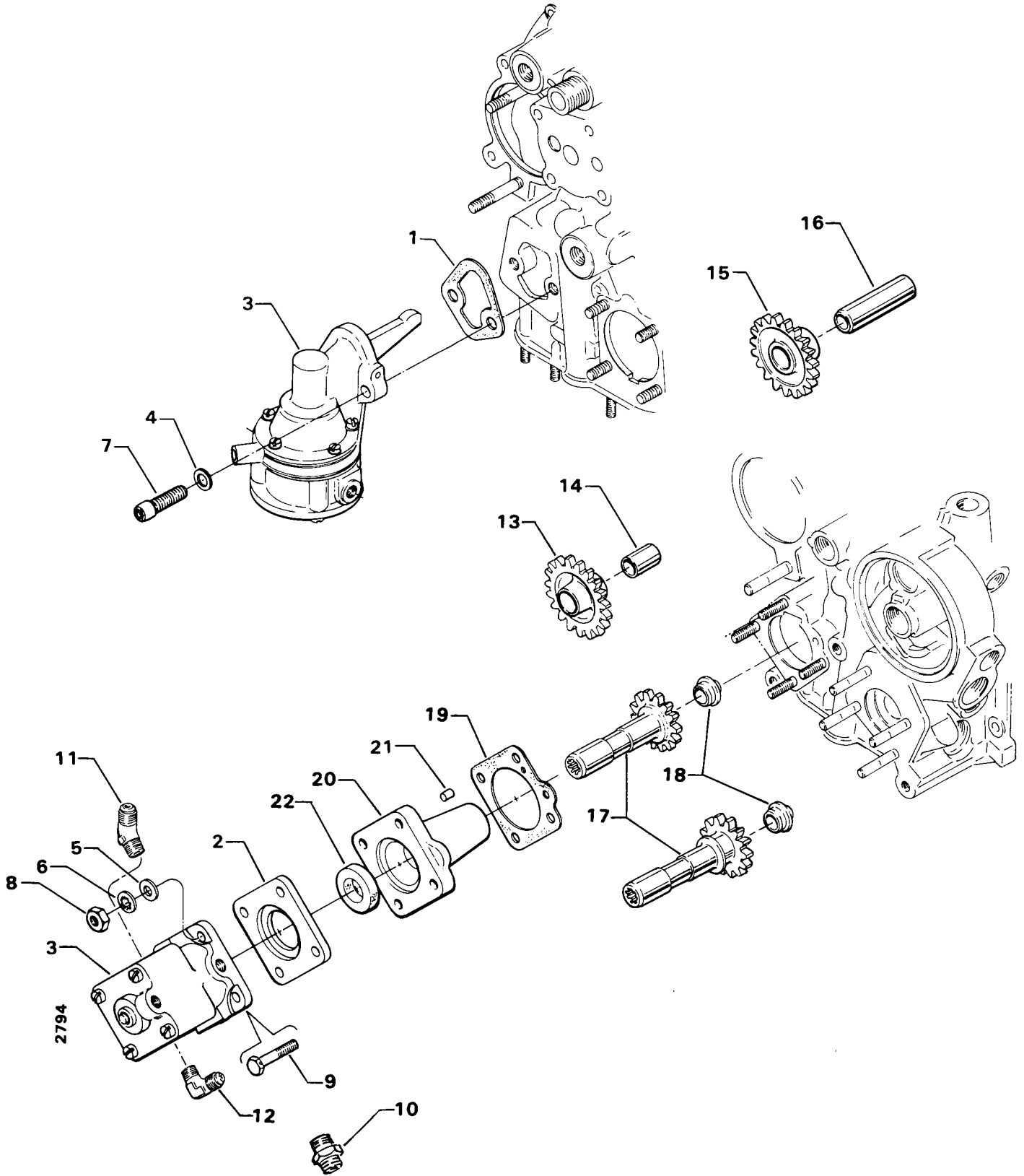
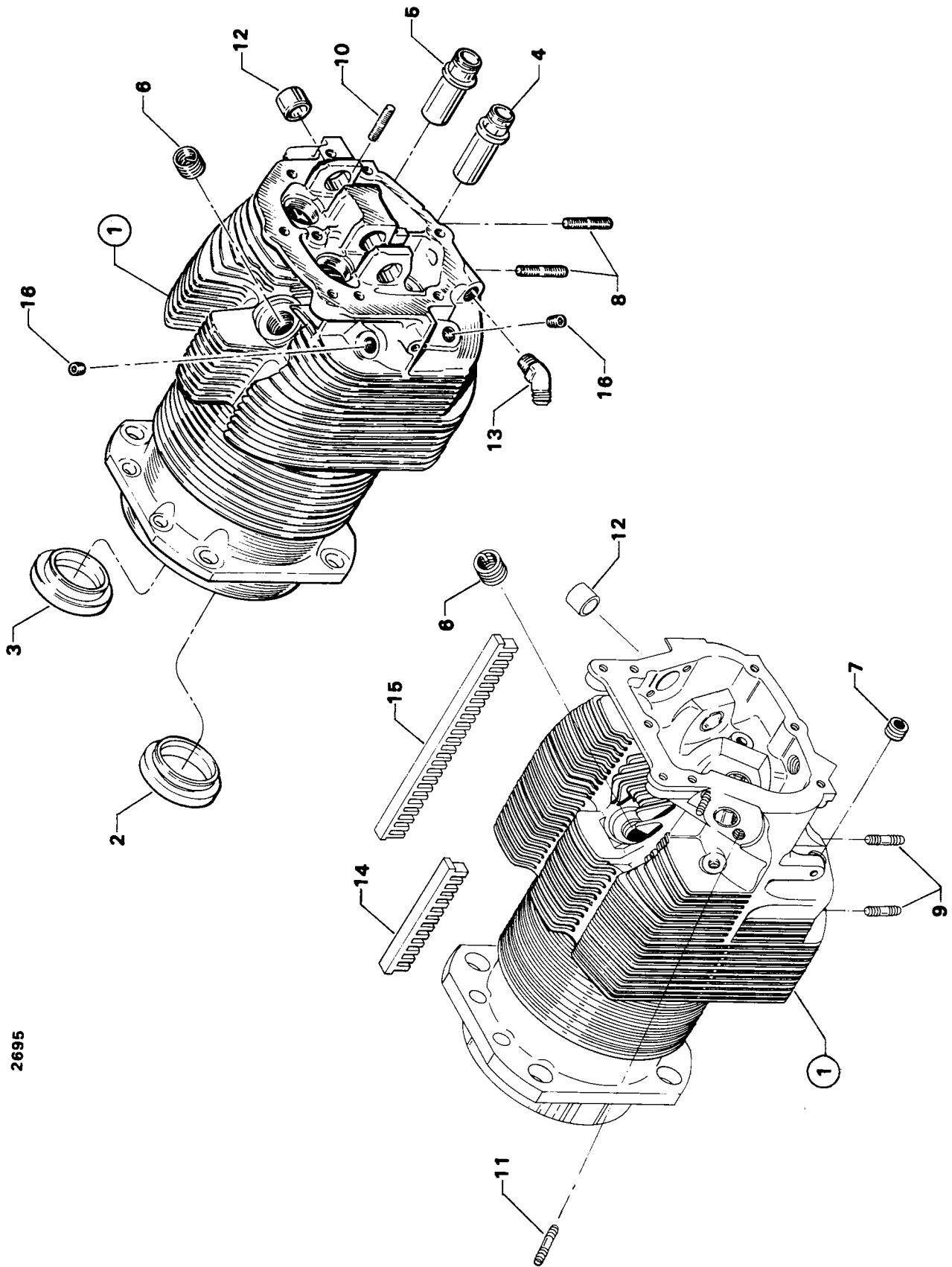


Figure 14. FUEL PUMP AND FUEL PUMP COVERS



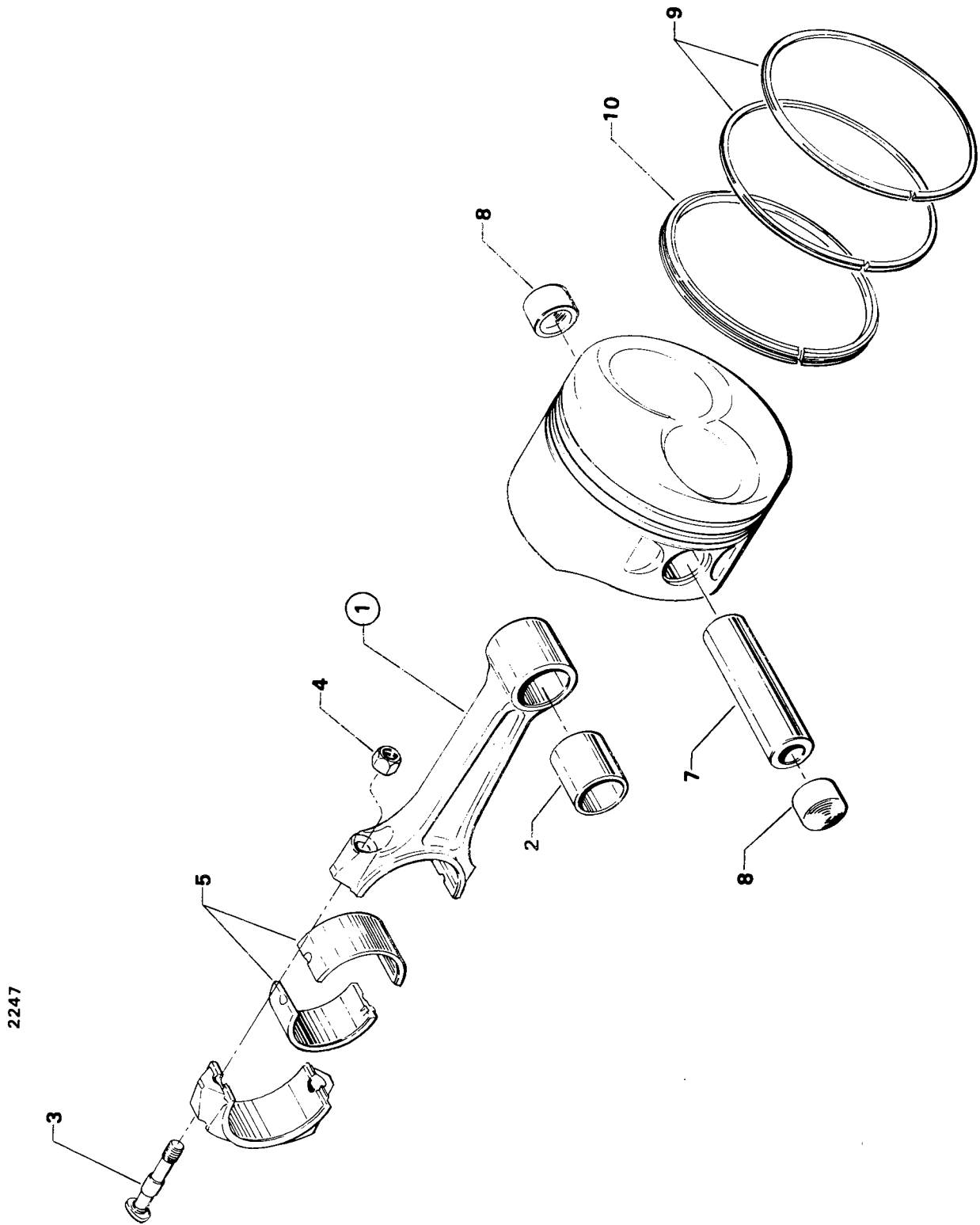




2695

Figure 15. CYLINDER ASSEMBLY





2247

Figure 16. CONNECTING ROD, PISTON AND RING ASSEMBLIES













**CYLINDER, PISTON AND VALVE TRAIN**  
**CYLINDER RELATED PARTS**

| FIG. REF | PART NUMBER | DESCRIPTION                                      | QUANTITY PER ASSEMBLY |     |     |      |      |      |       |     |     |      |       |      |    |    |    |
|----------|-------------|--|-----------------------|-----|-----|------|------|------|-------|-----|-----|------|-------|------|----|----|----|
|          |             |  | LIO-360               |     |     |      |      |      |       |     |     |      |       |      | ↓  |    |    |
|          |             |  | IO-360                |     |     |      |      |      |       |     |     |      |       |      |    |    |    |
|          |             |  | C1A                   | C1B | C1C | C1C6 | C1D6 | C1E6 | C1E6D | C1F | D1A | J1A6 | J1A6D | C1E6 |    |    |    |
| 1        | 15F19957-34 | ROD ASSEMBLY, Push (A total of 8 required)       |                       |     | AR  |      |      |      |       |     |     |      |       |      |    |    |    |
|          | 15F19957-35 | ROD ASSEMBLY, Push (A total of 8 required)       |                       |     | AR  |      |      |      |       |     |     |      |       |      |    |    |    |
|          | 15F19957-36 | ROD ASSEMBLY, Push (A total of 8 required)       |                       |     | AR  |      |      |      |       |     |     |      |       |      |    |    |    |
|          | 15F19957-37 | ROD ASSEMBLY, Push (A total of 8 required)       |                       |     | AR  |      |      |      |       |     |     |      |       |      |    |    |    |
|          | 15F19957-55 | ROD ASSEMBLY, Push (A total of 8 required)       | AR                    | AR  | AR  | AR   | AR   | AR   | AR    | AR  | AR  | AR   | AR    | AR   | AR | AR | AR |
|          | 15F19957-56 | ROD ASSEMBLY, Push (A total of 8 required)       | AR                    | AR  | AR  | AR   | AR   | AR   | AR    | AR  | AR  | AR   | AR    | AR   | AR | AR | AR |
|          | 15F19957-57 | ROD ASSEMBLY, Push (A total of 8 required)       | AR                    | AR  | AR  | AR   | AR   | AR   | AR    | AR  | AR  | AR   | AR    | AR   | AR | AR | AR |
|          | 15F19957-58 | ROD ASSEMBLY, Push (A total of 8 required)       | AR                    | AR  | AR  | AR   | AR   | AR   | AR    | AR  | AR  | AR   | AR    | AR   | AR | AR | AR |
|          | 15F21362-19 | ROD ASSEMBLY, Push (A total of 8 required)       | -                     | -   | -   | -    | -    | -    | -     | -   | -   | -    | -     | -    | -  | -  | -  |
|          | 15F21362-20 | ROD ASSEMBLY, Push (A total of 8 required)       | -                     | -   | -   | -    | -    | -    | -     | -   | -   | -    | -     | -    | -  | -  | -  |
|          | 15F21362-21 | ROD ASSEMBLY, Push (A total of 8 required)       | AR                    | AR  | AR  | AR   | AR   | AR   | AR    | AR  | AR  | AR   | AR    | AR   | AR | AR | AR |
|          | 15F21362-22 | ROD ASSEMBLY, Push (A total of 8 required)       | AR                    | AR  | AR  | AR   | AR   | AR   | AR    | AR  | AR  | AR   | AR    | AR   | AR | AR | AR |
|          | 15F21362-23 | ROD ASSEMBLY, Push (A total of 8 required)       | AR                    | AR  | AR  | AR   | AR   | AR   | AR    | AR  | AR  | AR   | AR    | AR   | AR | AR | AR |
|          | 15F21362-24 | ROD ASSEMBLY, Push (A total of 8 required)       | AR                    | AR  | AR  | AR   | AR   | AR   | AR    | AR  | AR  | AR   | AR    | AR   | AR | AR | AR |
| 2        | 17F19357    | ROCKER ASSEMBLY, Valve, intake                   | -                     | -   | -   | -    | -    | -    | -     | -   | -   | -    | -     | -    | -  | -  | -  |
| 3        | 74637       | BUSHING, Valve, rocker, intake                   | -                     | -   | -   | -    | -    | -    | -     | -   | -   | -    | -     | -    | -  | -  | -  |
| 4        | 17F21188    | ROCKER ASSEMBLY, Valve, intake                   | 4                     | 4   | 4   | 4    | 4    | 4    | 4     | 4   | 4   | 4    | 4     | 4    | 4  | 4  | 4  |
| 5        | 74389       | BUSHING, Valve rocker                            | 4                     | 4   | 4   | 4    | 4    | 4    | 4     | 4   | 4   | 4    | 4     | 4    | 4  | 4  | 4  |
| 6        | 74636       | ROCKER ASSEMBLY, Valve, exhaust                  | -                     | -   | -   | -    | -    | -    | -     | -   | -   | -    | -     | -    | -  | -  | -  |
| 7        | 74637       | BUSHING, Valve, rocker, exhaust                  | -                     | -   | -   | -    | -    | -    | -     | -   | -   | -    | -     | -    | -  | -  | -  |
| 8        | 17F21187    | ROCKER ASSEMBLY, Valve, exhaust                  | 4                     | 4   | 4   | 4    | 4    | 4    | 4     | 4   | 4   | 4    | 4     | 4    | 4  | 4  | 4  |
| 9        | 74389       | BUSHING, Valve rocker                            | 4                     | 4   | 4   | 4    | 4    | 4    | 4     | 4   | 4   | 4    | 4     | 4    | 4  | 4  | 4  |
| 10       | 71549       | WASHER, Valve rocker thrust                      | 8                     | 8   | 8   | 8    | 8    | 8    | 8     | 8   | 8   | 8    | 8     | 8    | 8  | 8  | 8  |
| 11       | LW-13790    | SHAFT, Valve rocker                              | -                     | -   | -   | -    | -    | -    | -     | -   | -   | -    | -     | -    | -  | -  | -  |
|          | 72626       | SHAFT, Valve rocker                              | 8                     | 8   | 8   | 8    | 8    | 8    | 8     | 8   | 8   | 8    | 8     | 8    | 8  | 8  | 8  |
| 12       | LW-12892    | THRUST BUTTON, Rocker shaft                      | -                     | -   | -   | -    | -    | -    | -     | -   | -   | -    | -     | -    | -  | -  | -  |
| 13       | 66732       | GASKET, Valve rocker shaft cover                 | 8                     | 8   | 8   | 8    | 8    | 8    | 8     | 8   | 8   | 8    | 8     | 8    | 8  | 8  | 8  |
| 14       | 72710       | COVER, Valve rocker shaft                        | 8                     | 8   | 8   | 8    | 8    | 8    | 8     | 8   | 8   | 8    | 8     | 8    | 8  | 8  | 8  |
| 15       | STD-160     | WASHER, 1/4 lock, internal teeth                 | 16                    | 16  | 16  | 16   | 16   | 16   | 16    | 16  | 16  | 16   | 16    | 16   | 16 | 16 | 16 |
| 16       | STD-1411    | NUT, 1/4-20 plain                                | 16                    | 16  | 16  | 16   | 16   | 16   | 16    | 16  | 16  | 16   | 16    | 16   | 16 | 16 | 16 |
| 17       | 75906       | GASKET, Rocker box cover                         | -                     | -   | -   | -    | -    | -    | -     | -   | -   | -    | -     | -    | -  | -  | -  |
|          | 67193       | GASKET, Rocker box cover                         | 4                     | 4   | 4   | 4    | 4    | 4    | 4     | 4   | 4   | 4    | 4     | 4    | 4  | 4  | 4  |
| 18       | 61247       | COVER, Rocker box                                | -                     | -   | -   | -    | -    | -    | -     | -   | -   | -    | -     | -    | -  | -  | -  |
|          | 68795       | COVER ASSY., Rocker box                          | 4                     | 4   | 4   | 4    | 4    | 4    | 4     | 4   | 4   | 4    | 4     | 4    | 4  | 4  | 4  |
| 19       | 73966       | SPACER, Fuel manifold                            | -                     | -   | -   | -    | -    | -    | -     | -   | -   | -    | -     | -    | -  | -  | -  |
| 20       | STD-1925    | SCREW, 1/4-20 x 5/8 long, pan head, self-locking | 32                    | 32  | 32  | 32   | 32   | 32   | 32    | 32  | 32  | 32   | 32    | 32   | 32 | 32 | 32 |

**CYLINDER, PISTON AND VALVE TRAIN**  
**CYLINDER RELATED PARTS (CONT.)**

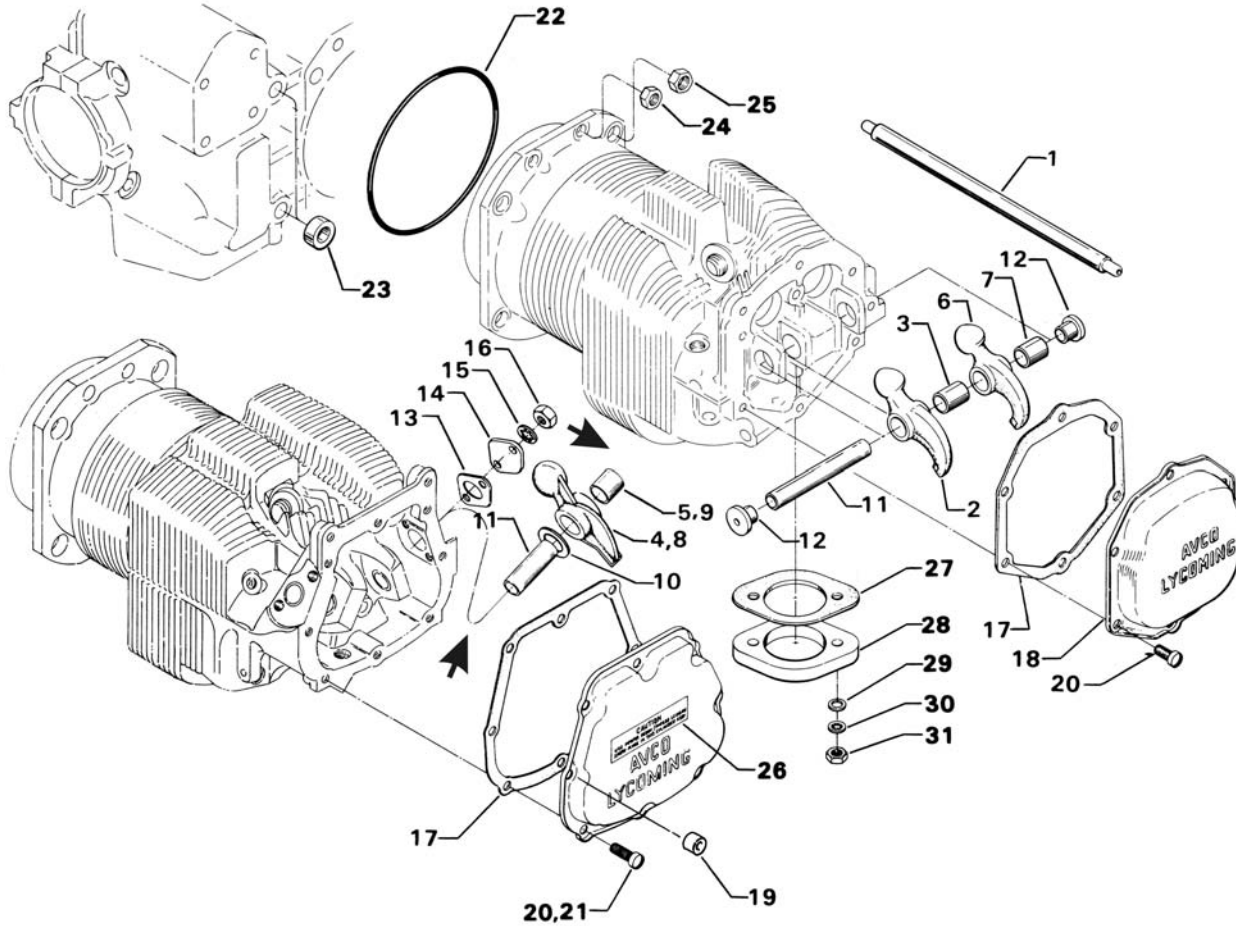
| FIG. REF | PART NUMBER | DESCRIPTION                                       | QUANTITY PER ASSEMBLY |      |      |       |     |     |      |       |      |    |    |  |   |
|----------|-------------|---|-----------------------|------|------|-------|-----|-----|------|-------|------|----|----|--|---|
|          |             |   | LIO-360               |      |      |       |     |     |      |       |      |    |    |  | ↓ |
|          |             |   | IO-360                |      |      |       |     |     |      |       |      |    |    |  |   |
| C1A      | C1B         | C1C   | C1C6                  | C1D6 | C1E6 | C1E6D | C1F | D1A | J1A6 | J1A6D | C1E6 |    |    |  |   |
| 18       |             |   |                       |      |      |       |     |     |      |       |      |    |    |  |   |
| 20       | STD-1925    | SCREW, 1/4-20 x 5/8 long, pan head, self-locking  |                       |      | 24   |       |     |     |      |       |      |    |    |  |   |
| 21       | STD-1916    | SCREW, 1/4-20 x 1-1/8 long, pan hd., self-locking | -                     | -    | -    | -     | -   | -   | -    | -     | -    | -  | -  |  |   |
| 22       | 71481       | RING, Oil seal, 3/32 diameter x 4-27/32 I.D.      | 4                     | 4    | 4    | 4     | 4   | 4   | 4    | 4     | 4    | 4  | 4  |  |   |
| 23       | 74887       | SPACER, 33/64 I.D. x 7/8 O.D. x 3/8 thick         | 2                     | 2    | 2    | 2     | 2   | 2   | 2    | 2     | 2    | 2  | 2  |  |   |
| 24       | 383-B       | NUT, 3/8-24 plain                                 | 16                    | 16   | 16   | 16    | 16  | 16  | 16   | 16    | 16   | 16 | 16 |  |   |
| 25       | STD-2090    | NUT, 1/2-20 plain                                 | 18                    | 18   | 18   | 18    | 18  | 18  | 18   | 18    | 18   | 18 | 18 |  |   |
| 26       | 74494       | PLATE, Spark plug reach caution                   |                       |      | 4    |       |     |     | 4    |       |      |    |    |  |   |
| 27       | LW-19296    | GASKET, Exhaust flange                            |                       |      | 4    | 4     |     | 4   |      | 4     |      | 4  | 4  |  |   |
|          | 75118       | GASKET, Exhaust flange                            | 8                     | 8    |      |       | 8   |     | 8    | 8     | 8    |    | 8  |  |   |
|          | 77611       | GASKET, Exhaust flange                            | -                     | -    | -    | -     | -   | -   | -    | -     | -    | -  | -  |  |   |
| 28       | 61260       | FLANGE, Exhaust, stainless                        | -                     | -    | -    | -     | -   | -   | -    | -     | -    | -  | -  |  |   |
|          | 67195       | FLANGE, Exhaust                                   |                       | 4    |      | 4     |     |     | 4    | 4     |      |    |    |  |   |
| 29       | STD-35      | WASHER, 5/16 plain                                | 8                     | 8    | 8    | 8     | 8   | 8   | 8    | 8     | 8    | 8  | 8  |  |   |
| 30       | STD-475     | WASHER, 5/16 lock, internal teeth                 | 8                     | 8    | 8    | 8     | 8   | 8   | 8    | 8     | 8    | 8  | 8  |  |   |
| 31       | STD-1410    | NUT, 5/16 plain                                   | 8                     | 8    | 8    | 8     | 8   | 8   | 8    | 8     | 8    | 8  | 8  |  |   |

**CYLINDER, PISTON AND VALVE TRAIN**  
**CYLINDER RELATED PARTS (CONT.)**

| FIG. REF. | PART NUMBER | DESCRIPTION                                      | QUANTITY PER ASSEMBLY |       |       |       |       |       |       |       |       |       |          |       |       |       |       |       |    |
|-----------|-------------|--|-----------------------|-------|-------|-------|-------|-------|-------|-------|-------|-------|----------|-------|-------|-------|-------|-------|----|
|           |             |  | TIO-360               |       |       |       |       |       |       |       |       |       |          |       |       |       |       |       |    |
|           |             |  | HIO-360               |       |       |       |       |       |       |       |       |       | AEIO-360 |       |       |       |       |       |    |
|           |             |  | A 1 A                 | A 1 B | B 1 A | B 1 B | C 1 A | C 1 B | D 1 A | E 1 A | E 1 B | F 1 A | F 1 B    | A 1 B | A 1 E | A 1 6 | B 1 G | H 1 A |    |
| 1         | 15F19957-34 | ROD ASSEMBLY, Push (A total of 8 required)       |                       |       | AR    | AR    |       |       |       |       |       |       |          |       |       |       | AR    | AR    |    |
|           | 15F19957-35 | ROD ASSEMBLY, Push (A total of 8 required)       |                       |       | AR    | AR    |       |       |       |       |       |       |          |       |       |       |       | AR    | AR |
|           | 15F19957-36 | ROD ASSEMBLY, Push (A total of 8 required)       |                       |       | AR    | AR    |       |       |       |       |       |       |          |       |       |       |       | AR    | AR |
|           | 15F19957-37 | ROD ASSEMBLY, Push (A total of 8 required)       |                       |       | AR    | AR    |       |       |       |       |       |       |          |       |       |       |       | AR    | AR |
|           | 15F19957-55 | ROD ASSEMBLY, Push (A total of 8 required)       | AR                    | AR    |       |       | AR    | AR    |       | AR    | AR    |       | AR       | AR    | AR    |       |       |       |    |
|           | 15F19956-56 | ROD ASSEMBLY, Push (A total of 8 required)       | AR                    | AR    |       |       | AR    | AR    |       | AR    | AR    |       | AR       | AR    | AR    |       |       |       |    |
|           | 15F19956-57 | ROD ASSEMBLY, Push (A total of 8 required)       | AR                    | AR    |       |       | AR    | AR    |       | AR    | AR    |       | AR       | AR    | AR    |       |       |       |    |
|           | 15F19957-58 | ROD ASSEMBLY, Push (A total of 8 required)       | AR                    | AR    |       |       | AR    | AR    |       | AR    | AR    |       | AR       | AR    | AR    |       |       |       |    |
|           | 15F21362-19 | ROD ASSEMBLY, Push (A total of 8 required)       |                       |       |       |       |       | AR    |       |       | AR    |       |          |       |       |       |       |       |    |
|           | 15F21362-20 | ROD ASSEMBLY, Push (A total of 8 required)       |                       |       |       |       |       | AR    |       |       | AR    |       |          |       |       |       |       |       |    |
|           | 15F21362-21 | ROD ASSEMBLY, Push (A total of 8 required)       | AR                    | AR    |       |       | AR    | AR    | AR    | AR    | AR    | AR    | AR       | AR    | AR    |       |       |       |    |
|           | 15F21362-22 | ROD ASSEMBLY, Push (A total of 8 required)       | AR                    | AR    |       |       | AR    | AR    | AR    | AR    | AR    | AR    | AR       | AR    | AR    |       |       |       |    |
|           | 15F21362-23 | ROD ASSEMBLY, Push (A total of 8 required)       | AR                    | AR    |       |       | AR    | AR    | AR    | AR    | AR    | AR    | AR       | AR    | AR    |       |       |       |    |
|           | 15F21362-24 | ROD ASSEMBLY, Push (A total of 8 required)       | AR                    | AR    |       |       | AR    | AR    | AR    | AR    | AR    | AR    | AR       | AR    | AR    |       |       |       |    |
| 2         | 17F19357    | ROCKER ASSEMBLY, Valve, intake                   |                       |       | 4     | 4     |       |       |       |       |       |       |          |       |       |       | 4     | 4     |    |
| 3         | 74637       | BUSHING, Valve, rocker, intake                   |                       |       | 4     | 4     |       |       |       |       |       |       |          |       |       |       | 4     | 4     |    |
| 4         | 17F21188    | ROCKER ASSEMBLY, Valve, intake                   | 4                     | 4     |       |       | 4     | 4     | 4     | 4     | 4     | 4     | 4        | 4     | 4     |       |       |       |    |
| 5         | 74389       | BUSHING, Valve rocker                            | 4                     | 4     |       |       | 4     | 4     | 4     | 4     | 4     | 4     | 4        | 4     | 4     |       |       |       |    |
| 6         | 74636       | ROCKER ASSEMBLY, Valve, exhaust                  |                       |       | 4     | 4     |       |       |       |       |       |       |          |       |       |       | 4     | 4     |    |
| 7         | 74637       | BUSHING, Valve, rocker, exhaust                  |                       |       | 4     | 4     |       |       |       |       |       |       |          |       |       |       | 4     | 4     |    |
| 8         | 17F21187    | ROCKER ASSEMBLY, Valve, exhaust                  | 4                     | 4     |       |       | 4     | 4     | 4     | 4     | 4     | 4     | 4        | 4     | 4     |       |       |       |    |
| 9         | 74389       | BUSHING, Valve rocker                            | 4                     | 4     |       |       | 4     | 4     | 4     | 4     | 4     | 4     | 4        | 4     | 4     |       |       |       |    |
| 10        | 71549       | WASHER, Valve rocker thrust                      | 8                     | 8     |       |       | 8     | 8     | 8     | 8     | 8     | 8     | 8        | 8     | 8     |       |       |       |    |
| 11        | LW-13790    | SHAFT, Valve rocker                              |                       |       | 4     | 4     |       |       |       |       |       |       |          |       |       |       | 4     | 4     |    |
|           | 72626       | SHAFT, Valve rocker                              | 8                     | 8     |       |       | 8     | 8     | 8     | 8     | 8     | 8     | 8        | 8     | 8     |       |       |       |    |
| 12        | LW-12892    | THRUST BUTTON, Rocker shaft                      |                       |       | 8     | 8     |       |       |       |       |       |       |          |       |       |       | 8     | 8     |    |
| 13        | 66732       | GASKET, Valve rocker shaft cover                 | 8                     | 8     |       |       | 8     | 8     | 8     | 8     | 8     | 8     | 8        | 8     | 8     |       |       |       |    |
| 14        | 72710       | COVER, Valve rocker shaft                        | 8                     | 8     |       |       | 8     | 8     | 8     | 8     | 8     | 8     | 8        | 8     | 8     |       |       |       |    |
| 15        | STD-160     | WASHER, 1/4 lock, internal teeth                 | 16                    | 16    |       |       | 16    | 16    | 16    | 16    | 16    | 16    | 16       | 16    | 16    |       |       |       |    |
| 16        | STD-1411    | NUT, 1/4 plain                                   | 16                    | 16    |       |       | 16    | 16    | 16    | 16    | 16    | 16    | 16       | 16    | 16    |       |       |       |    |
| 17        | 75906       | GASKET, Rocker box cover                         |                       |       | 4     | 4     |       |       |       |       |       |       |          |       |       |       | 4     | 4     |    |
|           | 67193       | GASKET, Rocker box cover                         | 4                     | 4     |       |       | 4     | 4     | 4     | 4     | 4     | 4     | 4        | 4     | 4     |       |       |       |    |
| 18        | 61247       | COVER, Rocker box                                |                       |       | 4     | 4     |       |       |       |       |       |       |          |       |       |       | 4     | 4     |    |
|           | 68795       | COVER ASSEMBLY, Rocker box                       | 4                     | 4     |       |       | 4     | 4     | 4     | 4     | 4     | 4     | 4        | 4     | 4     |       |       |       |    |
| 19        | 73966       | SPACER, Fuel manifold                            | 2                     | 2     | 3     | 3     |       |       | 2     |       |       |       |          |       |       |       |       |       |    |
| 20        | STD-1925    | SCREW, 1/4-20 x 5/8 long, pan head, self-locking | 30                    | 30    | 21    | 21    | 32    | 32    | 30    | 32    | 32    | 32    | 32       | 32    | 32    | 32    | 24    | 24    |    |

**CYLINDER, PISTON AND VALVE TRAIN**  
**CYLINDER RELATED PARTS (CONT.)**

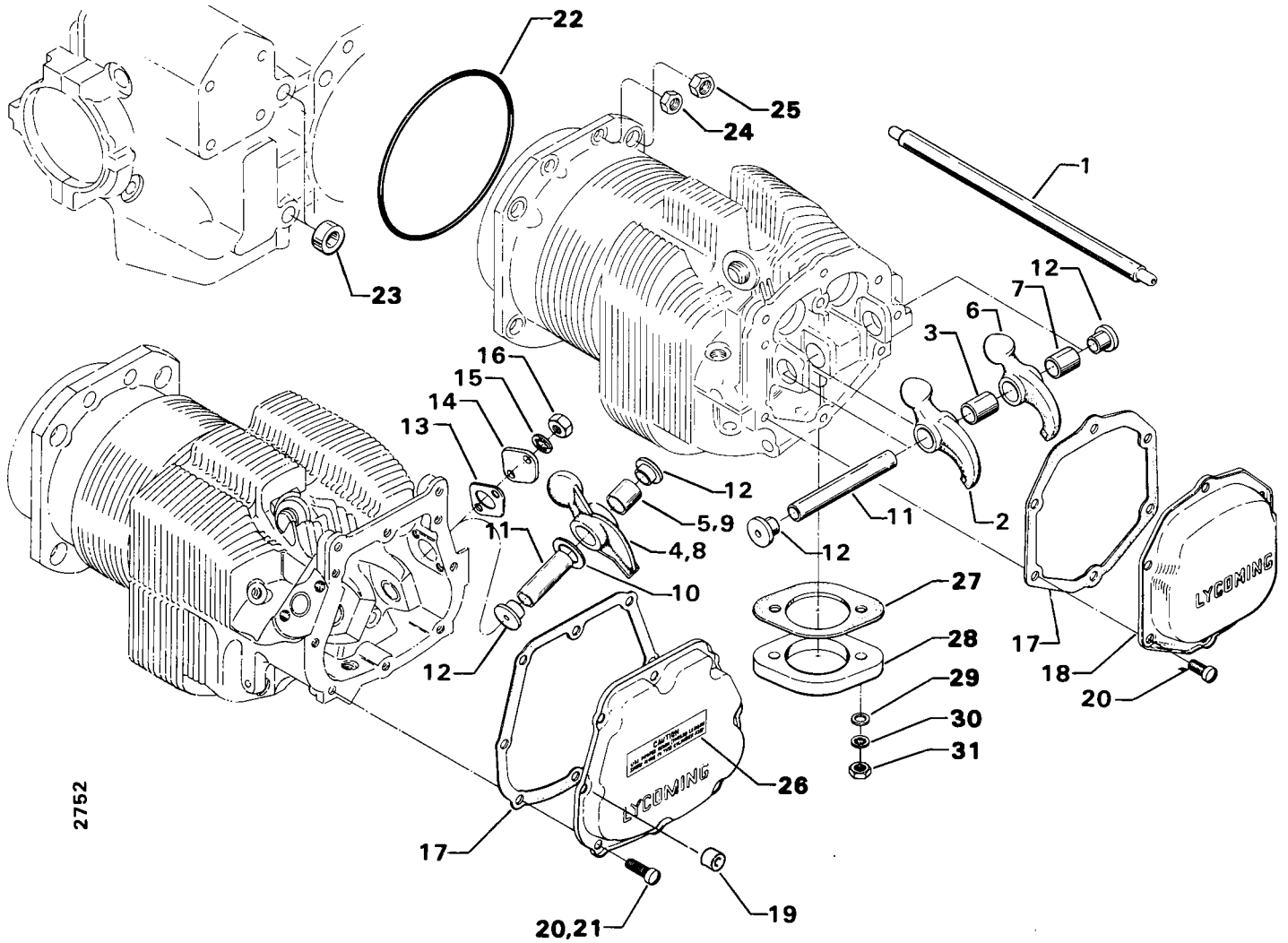
| FIG. REF. | PART NUMBER | DESCRIPTION                                      | QUANTITY PER ASSEMBLY |    |    |    |    |    |    |    |    |    |    |    |    |          |    |    |    |
|-----------|-------------|--|-----------------------|----|----|----|----|----|----|----|----|----|----|----|----|----------|----|----|----|
|           |             |  | TIO-360               |    |    |    |    |    |    |    |    |    |    |    |    | AEIO-360 |    |    |    |
|           |             |  | HIO-360               |    |    |    |    |    |    |    |    |    |    | ↓  | A  | A        | A  | B  | H  |
|           |             |  | A                     | A  | B  | B  | C  | C  | D  | E  | E  | F  | F  |    |    |          |    |    |    |
| 1         | 1           | 1  | 1                     | 1  | 1  | 1  | 1  | 1  | 1  | 1  | 1  | 1  | 1  | 1  | 1  | 1        |    |    |    |
| 18        |             |  | A                     | A  | B  | B  | C  | C  | D  | E  | E  | F  | F  | A  | A  | A        | B  | H  |    |
|           |             |  | A                     | B  | A  | B  | A  | B  | A  | D  | D  | D  | D  | B  | E  | 6        | 6  | A  |    |
| 20        | STD-1925    | SCREW, 1/4-20 x 5/8 long, pan head, self-locking | -                     | -  | -  | -  | -  | -  | -  | -  | -  | -  | -  | -  | -  | -        | -  | -  | -  |
| 21        | STD-1916    | SCREW, 14-20 x 1-1/8 long, pan hd., self-locking | 2                     | 2  | 3  | 3  |    |    | 2  |    |    |    |    |    |    |          |    |    |    |
| 22        | 71481       | RING, Oil seal, 3/32 diameter x 4-27/32 I.D.     | 4                     | 4  | 4  | 4  | 4  | 4  | 4  | 4  | 4  | 4  | 4  | 4  | 4  | 4        | 4  | 4  | 4  |
| 23        | 74887       | SPACER, 33/64 I.D. x 7/8 O.D. x 3/8 thick        | 2                     | 2  | 2  | 2  | 2  | 2  | 2  | 2  | 2  | 2  | 2  | 2  | 2  | 2        | 2  | 2  | 2  |
| 24        | 383-B       | NUT, 3/8-24 plain                                | 16                    | 16 | 16 | 16 | 16 | 16 | 16 | 16 | 16 | 16 | 16 | 16 | 16 | 16       | 16 | 16 | 16 |
| 25        | STD-2090    | NUT, 1/2-20 plain                                | 18                    | 18 | 18 | 18 | 18 | 18 | 18 | 18 | 18 | 18 | 18 | 18 | 18 | 18       | 18 | 18 | 18 |
| 26        | 74494       | PLATE, Spark plug reach caution                  |                       |    |    |    |    |    |    | 4  | 4  | 4  |    |    |    |          |    |    |    |
| 27        | LW-19296    | GASKET, Exhaust flange                           |                       |    |    |    |    |    |    |    |    |    |    |    |    |          |    |    | 4  |
|           | 75118       | GASKET, Exhaust flange                           |                       |    |    |    | 8  | 8  |    | 8  | 8  |    |    |    | 8  | 8        | 8  |    |    |
|           | 77611       | GASKET, Exhaust flange                           |                       |    |    |    |    |    |    |    |    |    | 4  |    |    |          |    |    |    |
| 28        | 61260       | FLANGE, Exhaust, stainless                       |                       |    |    |    |    |    |    |    |    |    |    |    |    |          |    | 4  | 4  |
|           | 67195       | FLANGE, Exhaust                                  |                       |    |    |    | 4  | 4  |    |    |    |    |    |    |    |          |    |    |    |
| 29        | STD-35      | WASHER, 5/16 plain                               | 8                     | 8  | 8  | 8  | 8  | 8  | 8  | 8  | 8  | 8  | 8  |    | 8  | 8        | 8  | 8  | 8  |
| 30        | STD-475     | WASHER, 5/16 lock, internal teeth                | 8                     | 8  | 8  | 8  | 8  | 8  | 8  | 8  | 8  | 8  | 8  |    | 8  | 8        | 8  | 8  | 8  |
| 31        | STD-1410    | NUT, 5/16 plain                                  | 8                     | 8  | 8  | 8  | 8  | 8  | 8  | 8  | 8  | 8  | 8  |    | 8  | 8        | 8  | 8  | 8  |



**FIGURE 18. CYLINDER RELATED PARTS**

**Intentionally  
Left  
Blank**

LYCOMING 10, L10, H10, T10, AE10-360 SERIES PARTS CATALOG  
WIDE CYLINDER FLANGE CRANKCASE MODEL ENGINES

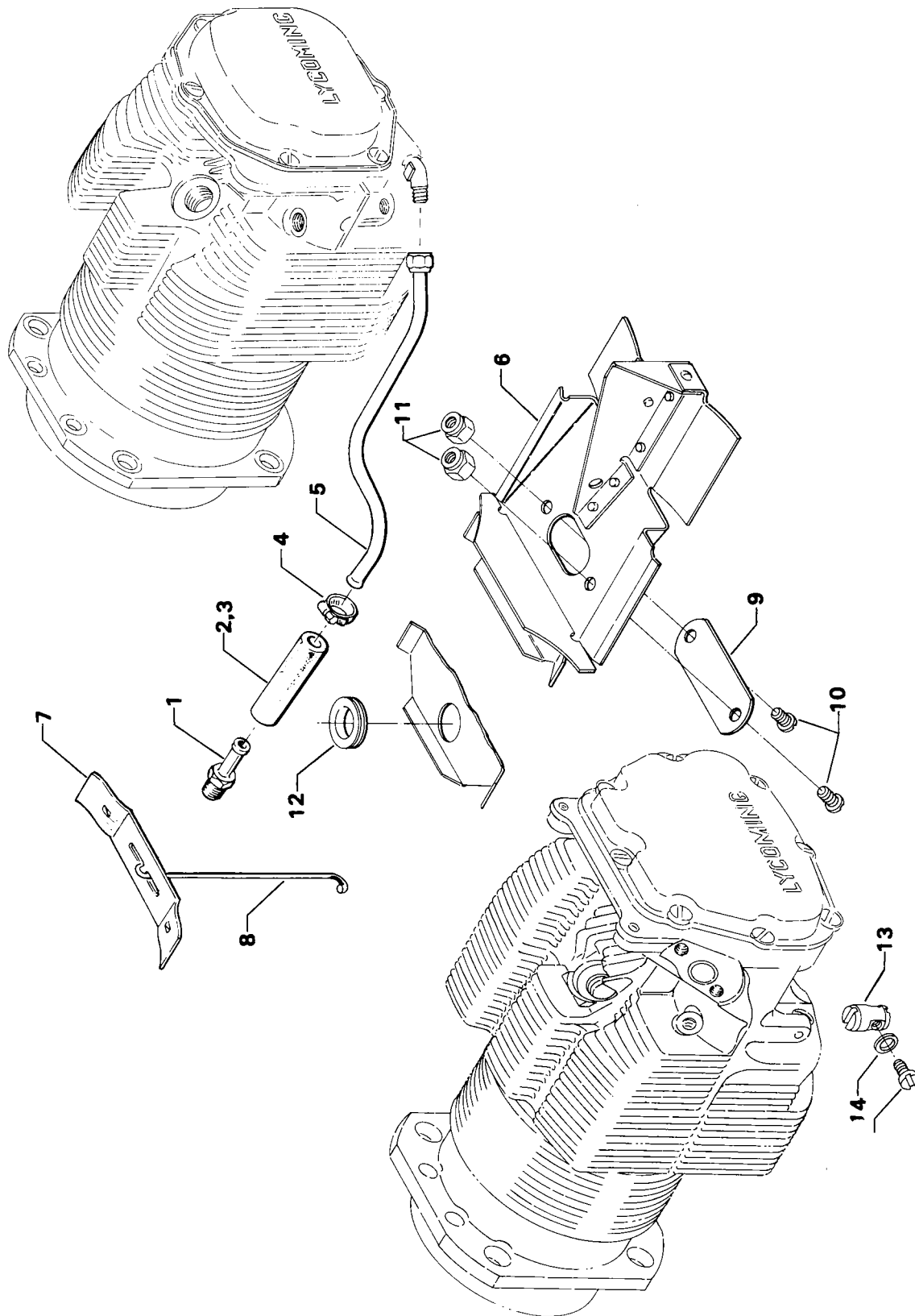


2752

Figure 18. CYLINDER RELATED PARTS







2698

Figure 19. CYLINDER HEAD DRAIN TUBES AND INTERCYLINDER COOLING BAFFLES



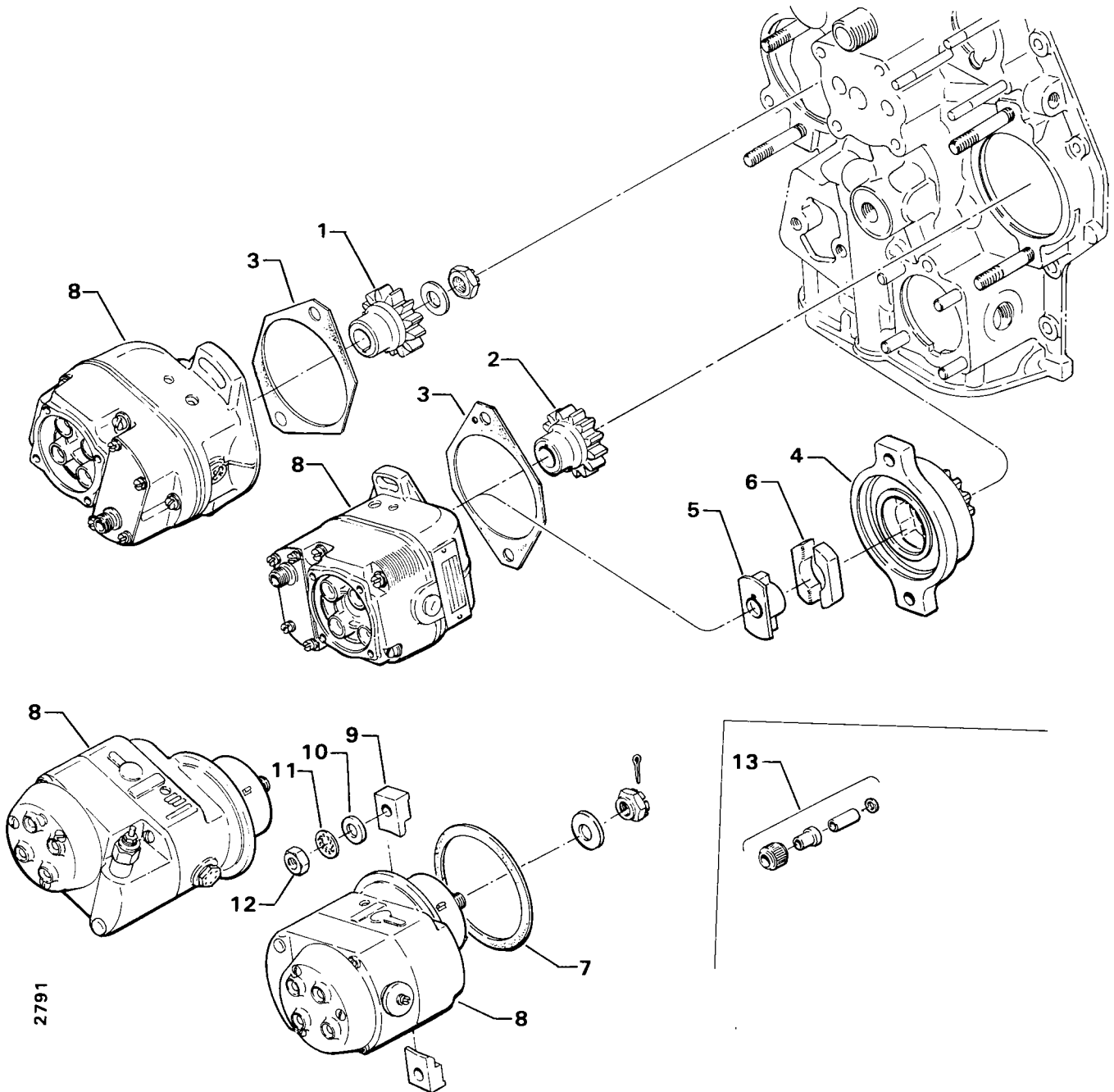


Figure 20. MAGNETO DRIVES AND MAGNETOS

**LYCOMING IO, LIO, HIO, TIO, AEIO-360 SERIES PARTS CATALOG**  
 WIDE CYLINDER FLANGE CRANKCASE MODEL ENGINES

**IGNITION SYSTEM**  
**MAGNETO DRIVES AND MAGNETOS**

| FIG.<br>REF. | PART<br>NUMBER | DESCRIPTION                                     | O<br>N<br><br>A<br>L<br>L | QUANTITY PER ASSEMBLY |             |             |                  |                  |                  |             |                       |                  |             |             |             |             |             |                  |                  |                  |             |             |                  |
|--------------|----------------|---|---------------------------|-----------------------|-------------|-------------|------------------|------------------|------------------|-------------|-----------------------|------------------|-------------|-------------|-------------|-------------|-------------|------------------|------------------|------------------|-------------|-------------|------------------|
|              |                |   |                           | LIO-360               |             |             |                  |                  |                  |             | TIO-360               |                  |             |             |             |             |             |                  |                  |                  |             |             |                  |
|              |                |   |                           | IO-360                |             |             |                  |                  |                  |             | HIO-360               |                  |             |             |             |             |             | AEIO-360         |                  |                  |             |             |                  |
|              |                |   |                           | C<br>1<br>A           | C<br>1<br>B | C<br>1<br>C | C<br>1<br>C<br>6 | C<br>1<br>D<br>6 | C<br>1<br>E<br>6 | C<br>1<br>F | J<br>1<br>A<br>6<br>D | C<br>1<br>E<br>6 | A<br>1<br>A | B<br>1<br>A | C<br>1<br>A | C<br>1<br>B | D<br>1<br>A | E<br>1<br>A<br>D | E<br>1<br>B<br>D | F<br>1<br>A<br>D | A<br>1<br>B | A<br>1<br>E | B<br>1<br>G<br>6 |
| 1            | 61665          | GEAR, Magneto, impulse coupling                 |                           |                       |             | 1           | 1                | 1                | 1                | 1           | 1                     | 1                | 1           |             |             |             |             |                  |                  |                  | 1           |             |                  |
| 2            | 61163          | GEAR, Magneto                                   |                           |                       |             | 1           | 1                | 1                | 1                | 1           | 1                     | 1                | 1           |             |             |             |             |                  |                  |                  | 1           |             |                  |
| 3            | 62224          | GASKET, Magneto adapter                         |                           |                       |             | 1           | 1                | 1                | 1                | 1           | 1                     | 1                | 1           |             |             |             |             |                  |                  |                  | 3           |             |                  |
| 4            | LW-12706       | ADAPTER, Magneto, impulse coupling              |                           |                       |             | 1           | 1                | 1                | 1                | 1           | 1                     | 1                | 1           |             |             |             |             |                  |                  |                  | 1           |             |                  |
| 5            | LW-12681       | GASKET, Magneto                                 |                           |                       |             | 2           | 2                | 2                | 2                | 2           | 2                     | 2                | 2           |             |             |             |             |                  |                  |                  |             |             |                  |
| 6            | LW-349305-1    | MAGNETO, S4LN-1209                              |                           |                       |             | 1           | 1                | 1                | 1                | 1           | 1                     | 1                | 1           |             |             |             |             |                  |                  |                  |             |             |                  |
|              | LW-349365-3    | MAGNETO, Impulse coupling, S4LN-1227            |                           |                       |             | 1           |                  | 1                | 1                |             |                       |                  |             |             |             |             |             |                  |                  |                  |             |             |                  |
|              | LW-349305-3    | MAGNETO, S4RN-1209                              |                           |                       |             |             |                  |                  |                  |             |                       |                  | 1           |             |             |             |             |                  |                  |                  |             |             |                  |
|              | LW-349365-6    | MAGNETO, Impulse coupling, S4RN-1227            |                           |                       |             |             |                  |                  |                  |             |                       |                  | 1           |             |             |             |             |                  |                  |                  |             |             |                  |
|              | LW-349365-9    | MAGNETO, Impulse coupling, S4LN-1227            |                           |                       |             | 1           | 1                | 1                | 1                | 1           | 1                     | 1                |             |             |             |             |             |                  |                  |                  |             |             |                  |
|              | LW-349365-10   | MAGNETO, Impulse coupling, S4RN-1227            |                           |                       |             |             |                  |                  |                  |             |                       |                  | 1           |             |             |             |             |                  |                  |                  |             |             |                  |
|              | LW-51360-29    | MAGNETO, S4LN-20                                |                           |                       |             |             |                  |                  |                  |             |                       |                  |             |             |             |             |             |                  |                  |                  | 1           |             |                  |
|              | LW-51360-54    | MAGNETO, Impulse coupling, S4LN-21              |                           |                       |             |             |                  |                  |                  |             |                       |                  |             |             |             |             |             |                  |                  |                  | 1           |             |                  |
| 7            | 75965          | CLAMP, Magneto                                  |                           |                       |             | 4           | 4                | 4                | 4                | 4           | 4                     | 4                | 4           |             |             |             |             |                  |                  |                  |             |             |                  |
| 8            | STD-1727       | WASHER, Plain, 3/4 OD x 21/64 ID x<br>1/8 thick |                           |                       |             |             |                  |                  |                  |             |                       |                  |             |             |             |             |             |                  |                  |                  | 4           |             |                  |
| 9            | STD-475        | WASHER, 5/16 lock, internal teeth               |                           |                       |             | 4           | 4                | 4                | 4                | 4           | 4                     | 4                | 4           |             |             |             |             |                  |                  |                  | 4           |             |                  |
| 10           | STD-1410       | NUT, 5/16-18 plain                              |                           |                       |             | 4           | 4                | 4                | 4                | 4           | 4                     | 4                | 4           |             |             |             |             |                  |                  |                  | 4           |             |                  |
| 11           | LW-52305-1     | KIT ASSY., Magneto ground terminal              |                           |                       |             |             |                  |                  |                  |             |                       |                  |             |             |             |             |             |                  |                  |                  | 2           |             |                  |

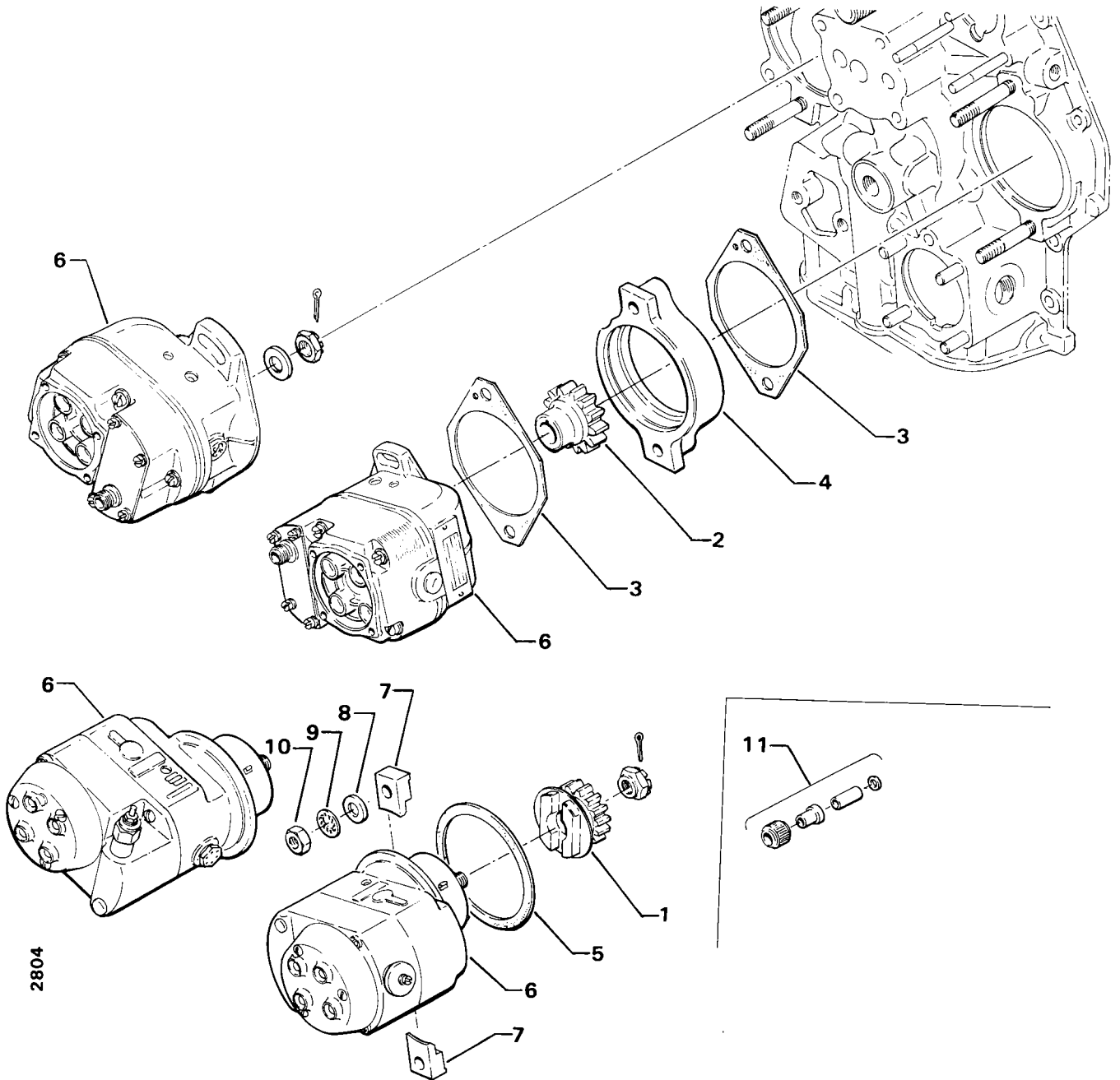


Figure 21. MAGNETO DRIVES AND MAGNETOS

**LYCOMING 10, L10, H10, T10, AEIO-360 SERIES PARTS CATALOG**  
**WIDE CYLINDER FLANGE CRANKCASE MODEL ENGINES**

**IGNITION SYSTEM**  
**MAGNETO DRIVES AND MAGNETOS (DUAL MAGNETOS)**

| FIG. REF. | PART NUMBER   | DESCRIPTION   | QUANTITY PER ASSEMBLY |     |     |      |      |      |         |       |      |     |     |     |          |     |     |     |     |     |     |     |     |
|-----------|---------------|---|-----------------------|-----|-----|------|------|------|---------|-------|------|-----|-----|-----|----------|-----|-----|-----|-----|-----|-----|-----|-----|
|           |               |   | L10-360               |     |     |      |      |      |         |       |      |     |     |     | T10-360  |     |     |     |     |     |     |     |     |
|           |               |   | 10-360                |     |     |      |      |      | H10-360 |       |      |     |     |     | AEIO-360 |     |     |     |     |     |     |     |     |
|           |               |   | C1A                   | C1B | C1C | C1C6 | C1D6 | C1E6 | C1F     | J1A6D | C1E6 | A1A | B1A | C1A | C1B      | D1A | E1A | E1B | F1A | A1B | A1E | B1G | H1A |
| 1         | LW-13643      | GEAR, Retainer, magneto drive                           |                       |     |     |      |      |      | 1       |       |      |     |     |     |          | 1   | 1   | 1   |     |     |     |     |     |
| 2         | LW-13641      | Cushion, Magneto drive                                  |                       |     |     |      |      | 2    |         |       |      |     |     |     |          | 2   | 2   | 2   |     |     |     |     |     |
| 3         | LW-12681      | GASKET, Magneto   |                       |     |     |      |      | 1    |         |       |      |     |     |     |          | 1   | 1   | 1   |     |     |     |     |     |
| 4         | LW-385124-111 | MAGNETO, Ignition system, D4LN-2021                     |                       |     |     |      |      | 1    |         |       |      |     |     |     |          | 1   |     |     |     |     |     |     |     |
|           | LW-382555-13  | MAGNETO, Ignition                                       |                       |     |     |      |      | 1    |         |       |      |     |     |     |          | 1   |     |     |     |     |     |     |     |
|           | LW-684400-303 | HARNESS, Ignition, 3/4-20 spark plug term st. fittings  |                       |     |     |      |      | 1    |         |       |      |     |     |     |          | 1   |     |     |     |     |     |     |     |
|           | LW-385124-124 | MAGNETO, Ignition system, D4LN-2021                     |                       |     |     |      |      |      |         |       |      |     |     |     |          | 1   |     |     |     |     |     |     |     |
|           | LW-382555-13  | MAGNETO, Ignition                                       |                       |     |     |      |      |      |         |       |      |     |     |     |          | 1   |     |     |     |     |     |     |     |
|           | LW-684409-102 | HARNESS, Ignition, 3/4-20 spark plug term st. fittings  |                       |     |     |      |      |      |         |       |      |     |     |     |          | 1   |     |     |     |     |     |     |     |
|           | LW-685144-112 | MAGNETO, Ignition system, D4LN-3200                     |                       |     |     |      |      |      |         |       |      |     |     |     |          |     | 1   | 1   |     |     |     |     |     |
|           | LW-682605-13  | MAGNETO, Ignition                                       |                       |     |     |      |      |      |         |       |      |     |     |     |          | 1   | 1   |     |     |     |     |     |     |
|           | LW-684409-106 | HARNESS, Ignition, 3/4-20 spark plug term st. fittings  |                       |     |     |      |      |      |         |       |      |     |     |     |          |     | 1   | 1   |     |     |     |     |     |
|           | LW-685144-114 | MAGNETO, Ignition system, D4LN-3200                     |                       |     |     |      |      |      |         |       |      |     |     |     |          |     |     | 1   |     |     |     |     |     |
|           | LW-682605-13  | MAGNETO, Ignition                                       |                       |     |     |      |      |      |         |       |      |     |     |     |          |     |     | 1   |     |     |     |     |     |
|           | LW-684412-106 | HARNESS, Ignition, 3/4-20 spark plug term. 90° fittings |                       |     |     |      |      |      |         |       |      |     |     |     |          |     |     | 1   |     |     |     |     |     |
| 5         | 75965         | CLAMP, Magneto  |                       |     |     |      |      | 2    |         |       |      |     |     |     |          | 2   | 2   | 2   |     |     |     |     |     |
| 6         | STD-475       | WASHER, 5/16 lock, internal teeth                       |                       |     |     |      |      | 2    |         |       |      |     |     |     |          | 2   | 2   | 2   |     |     |     |     |     |
| 7         | STD-1410      | NUT, 5/16-18 plain                                      |                       |     |     |      |      | 2    |         |       |      |     |     |     |          | 2   | 2   | 2   |     |     |     |     |     |
| 8         | 1182-D4       | SPARK PLUG, (Champion RHM-38E)                          |                       |     |     |      |      | 8    |         |       |      |     |     |     |          |     |     |     |     |     |     |     |     |
|           | 1182-U5       | SPARK PLUG, (Champion RHB-32E)                          |                       |     |     |      |      |      |         |       |      |     |     |     |          | 8   |     |     |     |     |     |     |     |
|           | 1182-G6       | SPARK PLUG, (Champion RHB-32P)                          |                       |     |     |      |      |      |         |       |      |     |     |     |          | 8   | 8   | 8   |     |     |     |     |     |
| 9         | LW-157209     | KIT, Magneto ground terminal                            |                       |     |     |      |      | 2    |         |       |      |     |     |     |          | 2   |     |     |     |     |     |     |     |
|           | LW-382698     | KIT, Magneto ground terminal                            |                       |     |     |      |      |      |         |       |      |     |     |     |          |     | 2   | 2   |     |     |     |     |     |
|           | LW-157208     | KIT, Magneto retard terminal                            |                       |     |     |      |      |      |         |       |      |     |     |     |          | 1   | 1   |     |     |     |     |     |     |
| *         | 10-720631-48  | LEAD ASSY., Replacement, 2T, 4T, 2B, 4B                 |                       |     |     |      |      | un   |         |       |      |     |     |     |          | un  |     |     |     |     |     |     |     |
| *         | 10-720631-78  | LEAD ASSY., Replacement, 1T, 3T, 1B, 3B                 |                       |     |     |      |      | un   |         |       |      |     |     |     |          | un  |     |     |     |     |     |     |     |
| *         | 10-720633-48  | LEAD ASSY., Replacement, all bottom, 2T, 3T, 4T         |                       |     |     |      |      |      |         |       |      |     |     |     |          | un  |     |     |     |     |     |     |     |
| *         | 10-720633-78  | LEAD ASSY., Replacement, 1T                             |                       |     |     |      |      |      |         |       |      |     |     |     |          | un  |     |     |     |     |     |     |     |
| *         | 10-720633-48  | LEAD ASSY., Replacement, all bottom, 2T, 4T             |                       |     |     |      |      |      |         |       |      |     |     |     |          |     |     | un  | un  |     |     |     |     |
| *         | 10-720633-78  | LEAD ASSY., Replacement, 1T, 3T                         |                       |     |     |      |      |      |         |       |      |     |     |     |          |     |     | un  | un  |     |     |     |     |
| *         | 10-620039-100 | LEAD ASSY., Replacement, 3T                             |                       |     |     |      |      |      |         |       |      |     |     |     |          |     |     |     | un  |     |     |     |     |
| *         | 10-620039-104 | LEAD ASSY., Replacement, 1T                             |                       |     |     |      |      |      |         |       |      |     |     |     |          |     |     |     | un  |     |     |     |     |
| *         | 10-620039-58  | LEAD ASSY., Replacement, 4B                             |                       |     |     |      |      |      |         |       |      |     |     |     |          |     |     |     | un  |     |     |     |     |
| *         | 10-620039-74  | LEAD ASSY., Replacement, 3B, 2T, 4T                     |                       |     |     |      |      |      |         |       |      |     |     |     |          |     |     |     | un  |     |     |     |     |
| *         | 10-620039-72  | LEAD ASSY., Replacement, 2B                             |                       |     |     |      |      |      |         |       |      |     |     |     |          |     |     |     | un  |     |     |     |     |
| *         | 10-620044-84  | LEAD ASSY., Replacement, 1B                             |                       |     |     |      |      |      |         |       |      |     |     |     |          |     |     |     | un  |     |     |     |     |

\* - Replacement leads furnished with spark plug end assembled. Lead includes eyelet and ferrule for assembly to magneto plate.

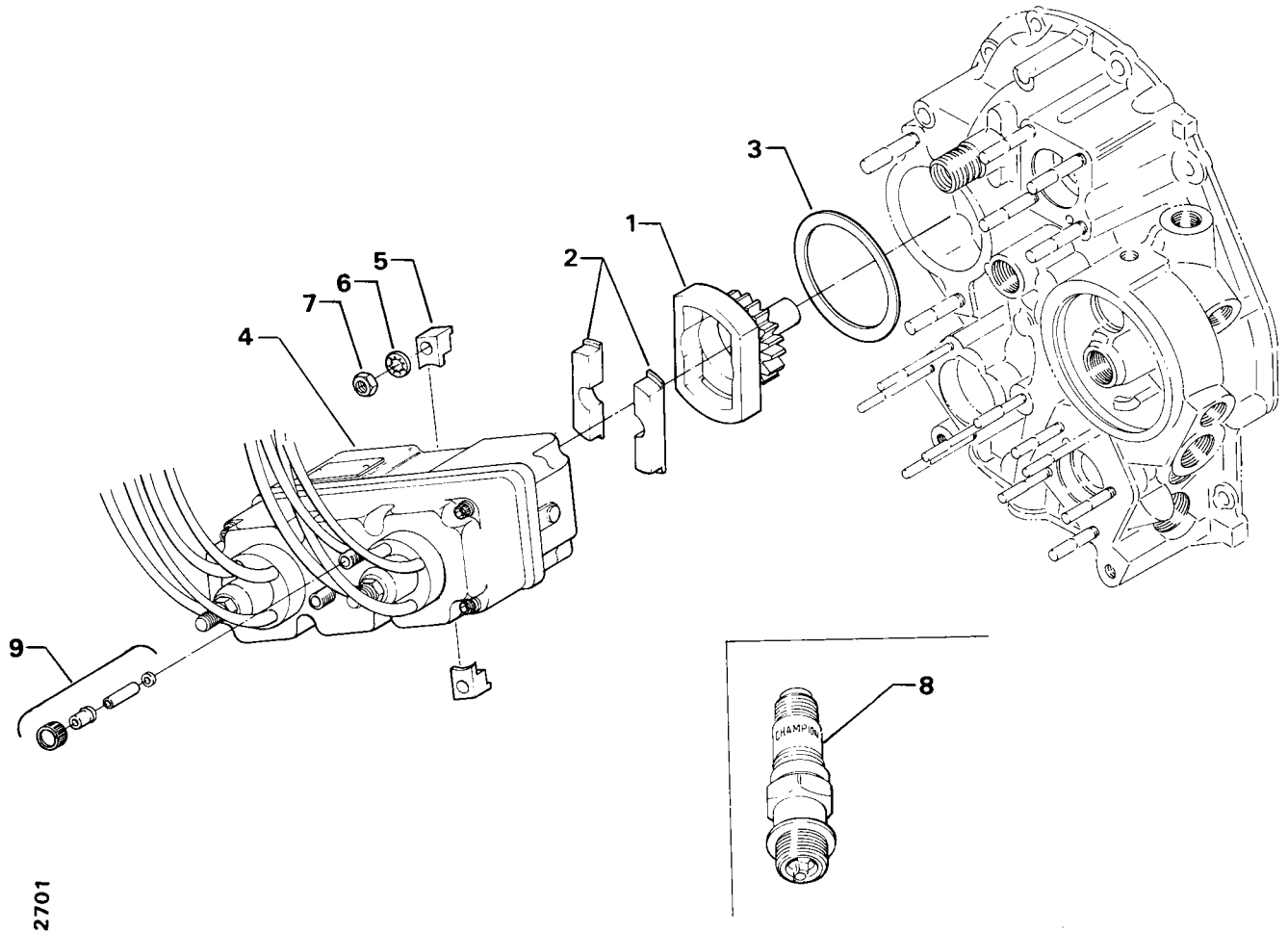


Figure 22. MAGNETO DRIVES AND MAGNETOS (DUAL MAGNETOS)



# LYCOMING IO, LIO, HIO, TIO, AEIO-360 SERIES PARTS CATALOG

WIDE CYLINDER FLANGE CRANKCASE MODEL ENGINES

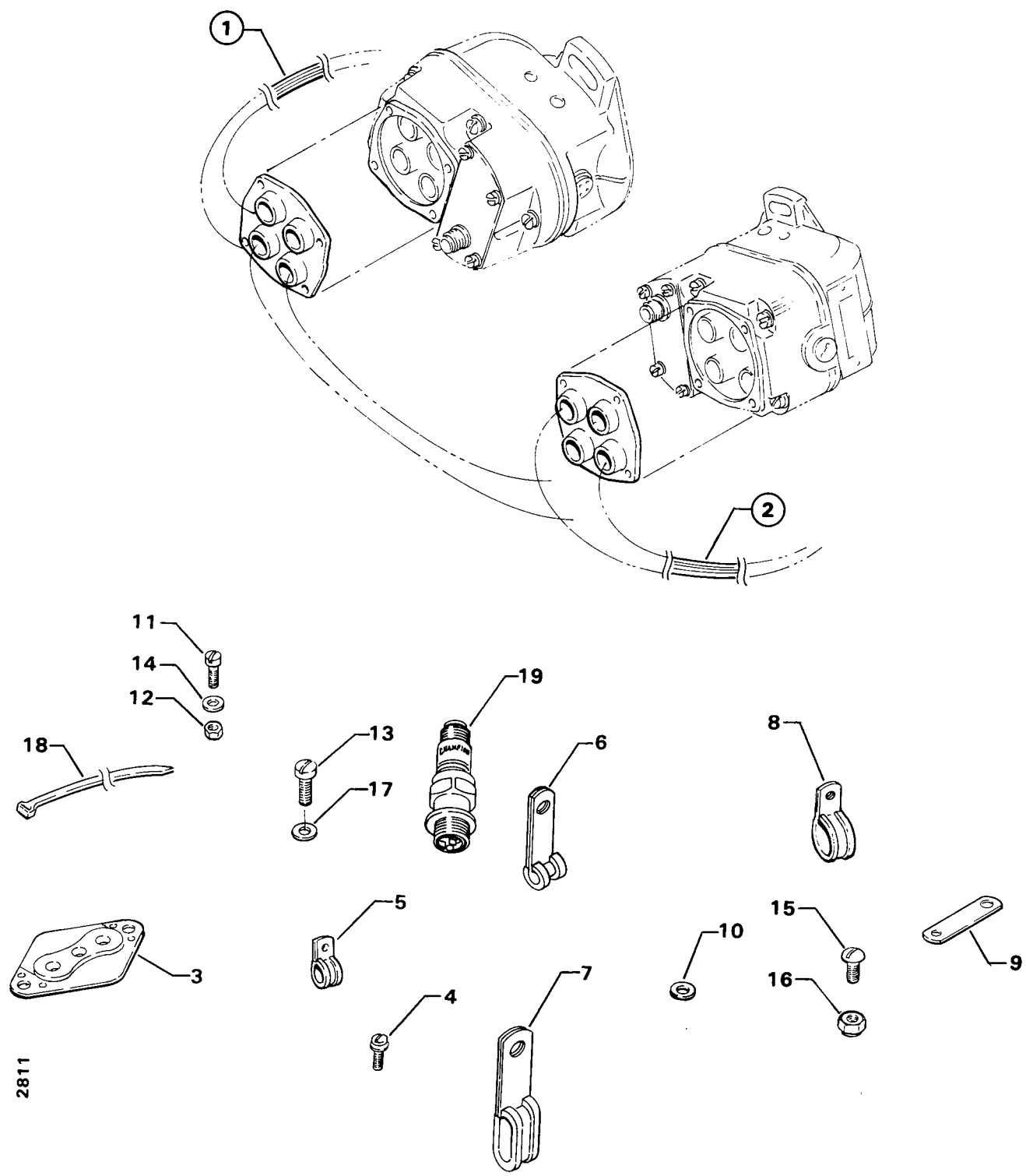
## IGNITION SYSTEM MAGNETO DRIVES AND MAGNETOS

| FIG.<br>REF.<br><br>23 | PART<br>NUMBER | DESCRIPTION                                     | QUANTITY PER ASSEMBLY     |             |             |             |             |             |             |             |             |             |             |             |             |             |             |             |             |             |             |             |             |
|------------------------|----------------|---|---------------------------|-------------|-------------|-------------|-------------|-------------|-------------|-------------|-------------|-------------|-------------|-------------|-------------|-------------|-------------|-------------|-------------|-------------|-------------|-------------|-------------|
|                        |                |   | O<br>N<br><br>A<br>L<br>L | LIO-360     |             |             |             |             |             |             |             |             |             | TIO-360     |             |             |             |             |             |             |             |             |             |
|                        |                |   |                           | IO-360      |             |             |             |             | HIO-360     |             |             |             |             | AEIO-360    |             |             |             |             |             |             |             |             |             |
|                        |                |   |                           | C<br>1<br>A | C<br>1<br>B | C<br>1<br>C | C<br>1<br>D | C<br>1<br>E | C<br>1<br>F | J<br>1<br>A | C<br>1<br>E | A<br>1<br>A | B<br>1<br>A | C<br>1<br>A | C<br>1<br>B | D<br>1<br>A | E<br>1<br>A | E<br>1<br>B | F<br>1<br>A | A<br>1<br>B | A<br>1<br>E | B<br>1<br>G | H<br>1<br>A |
| 1                      | 61665          | GEAR, Magneto, impulse coupling                 |                           |             |             |             |             |             |             |             |             |             |             |             |             |             |             |             |             |             | 1           |             |             |
|                        | 61665          | GEAR, Magneto, impulse coupling                 |                           |             |             |             |             |             |             |             |             |             |             |             |             |             |             |             |             |             | 2           | 2           |             |
| 2                      | STD-761        | COTTER PIN, 3/32 dia. x 1.00 long               |                           |             |             |             |             |             |             |             |             |             |             |             |             |             |             |             |             |             | 1           |             |             |
|                        | STD-761        | COTTER PIN, 3/32 dia. x 1.00 long               |                           |             |             |             |             |             |             |             |             |             |             |             |             |             |             |             |             |             | 2           | 2           |             |
| 3                      | 61163          | GEAR, Magneto                                   |                           |             |             |             |             |             |             |             |             |             |             |             |             |             |             |             |             |             | 1           |             |             |
| 4                      | 62224          | GASKET, Magneto adapter & magneto               |                           |             |             |             |             |             |             |             |             |             |             |             |             |             |             |             |             |             | 1           |             |             |
|                        | 62224          | GASKET, Magneto adapter & magneto               |                           |             |             |             |             |             |             |             |             |             |             |             |             |             |             |             |             |             | 2           | 2           |             |
| 5                      | LW-12706       | ADAPTER, Magneto, impulse coupling              |                           |             |             |             |             |             |             |             |             |             |             |             |             |             |             |             |             |             | 1           |             |             |
|                        | LW-12706       | ADAPTER, Magneto, impulse coupling              |                           |             |             |             |             |             |             |             |             |             |             |             |             |             |             |             |             |             | 2           | 2           |             |
| 6                      | LW-12681       | GASKET, Magneto                                 |                           |             |             |             |             |             |             |             |             |             |             |             |             |             |             |             |             |             | 2           | 2           |             |
| 7                      | LW-15637       | MAGNETO & HARNESS ASSY., Left                   |                           |             |             |             |             |             |             |             |             |             |             |             |             |             |             |             |             |             | 1           | 1           |             |
|                        | LW-15638       | MAGNETO, Left (Slick model 4251)                |                           |             |             |             |             |             |             |             |             |             |             |             |             |             |             |             |             |             | 1           | 1           |             |
|                        | 77745          | HARNESS ASSY., Ignition, left                   |                           |             |             |             |             |             |             |             |             |             |             |             |             |             |             |             |             |             | 1           | 1           |             |
|                        | LW-15635       | MAGNETO & HARNESS ASSY., Right                  |                           |             |             |             |             |             |             |             |             |             |             |             |             |             |             |             |             |             | 1           |             |             |
|                        | LW-15636       | MAGNETO, Right (Slick model 4250)               |                           |             |             |             |             |             |             |             |             |             |             |             |             |             |             |             |             |             | 1           |             |             |
|                        | 77743          | HARNESS ASSY., Ignition, right                  |                           |             |             |             |             |             |             |             |             |             |             |             |             |             |             |             |             |             | 1           |             |             |
|                        | LW-16591       | MAGNETO & HARNESS ASSY., Right                  |                           |             |             |             |             |             |             |             |             |             |             |             |             |             |             |             |             |             | 1           | 1           |             |
|                        | LW-15638       | MAGNETO, Right (Slick model 4251)               |                           |             |             |             |             |             |             |             |             |             |             |             |             |             |             |             |             |             | 1           | 1           |             |
|                        | 77743          | HARNESS ASSY., Ignition, right                  |                           |             |             |             |             |             |             |             |             |             |             |             |             |             |             |             |             |             | 1           | 1           |             |
| 8                      | 76961          | CLAMP, Magneto                                  |                           |             |             |             |             |             |             |             |             |             |             |             |             |             |             |             |             |             | 4           | 4           |             |
| 9                      | STD-475        | WASHER, 5/16 lock, internal teeth               |                           |             |             |             |             |             |             |             |             |             |             |             |             |             |             |             |             |             | 4           | 4           |             |
| 10                     | STD-1410       | NUT, 5/16-18 plain                              |                           |             |             |             |             |             |             |             |             |             |             |             |             |             |             |             |             |             | 4           | 4           |             |
| 11                     | STD-1727       | WASHER, Plain, 3/4 OD x 11/32 ID x<br>1/8 thick |                           |             |             |             |             |             |             |             |             |             |             |             |             |             |             |             |             |             | 4           | 4           |             |
| 12                     | 76734          | ZIP STRAPS                                      |                           |             |             |             |             |             |             |             |             |             |             |             |             |             |             |             |             |             | 8           | 8           |             |
| 13                     | LW-14057       | CLIP, One wire                                  |                           |             |             |             |             |             |             |             |             |             |             |             |             |             |             |             |             |             | 2           | 2           |             |
| 14                     | LW-14060       | CLIP, Two wire                                  |                           |             |             |             |             |             |             |             |             |             |             |             |             |             |             |             |             |             | 3           | 3           |             |
| 15                     | 1182-B3        | SPARK PLUG, (Champion REM-40E)                  |                           |             |             |             |             |             |             |             |             |             |             |             |             |             |             |             |             |             | 8           | 8           |             |
| *                      | M-1735-41      | LEAD ASSY., Replacement, 1T                     |                           |             |             |             |             |             |             |             |             |             |             |             |             |             |             |             |             |             | un          | un          |             |
| *                      | M-1735-39      | LEAD ASSY., Replacement, 2T                     |                           |             |             |             |             |             |             |             |             |             |             |             |             |             |             |             |             |             | un          | un          |             |
| *                      | M-1735-35      | LEAD ASSY., Replacement, 3T                     |                           |             |             |             |             |             |             |             |             |             |             |             |             |             |             |             |             |             | un          | un          |             |
| *                      | M-1735-32      | LEAD ASSY., Replacement, 1B, 4T                 |                           |             |             |             |             |             |             |             |             |             |             |             |             |             |             |             |             |             | un          | un          |             |
| *                      | M-1735-33      | LEAD ASSY., Replacement, 2B                     |                           |             |             |             |             |             |             |             |             |             |             |             |             |             |             |             |             |             | un          | un          |             |
| *                      | M-1735-23      | LEAD ASSY., Replacement, 3B                     |                           |             |             |             |             |             |             |             |             |             |             |             |             |             |             |             |             |             | un          | un          |             |
| *                      | M-1735-26      | LEAD ASSY., Replacement, 4B                     |                           |             |             |             |             |             |             |             |             |             |             |             |             |             |             |             |             |             | un          | un          |             |

\* - Replacement leads furnished with spark plug end assembled.  
Lead includes eyelet and ferrule for assembly to magneto plate.







2811

Figure 24. IGNITION HARNESS AND SPARK PLUGS (TIO-360)

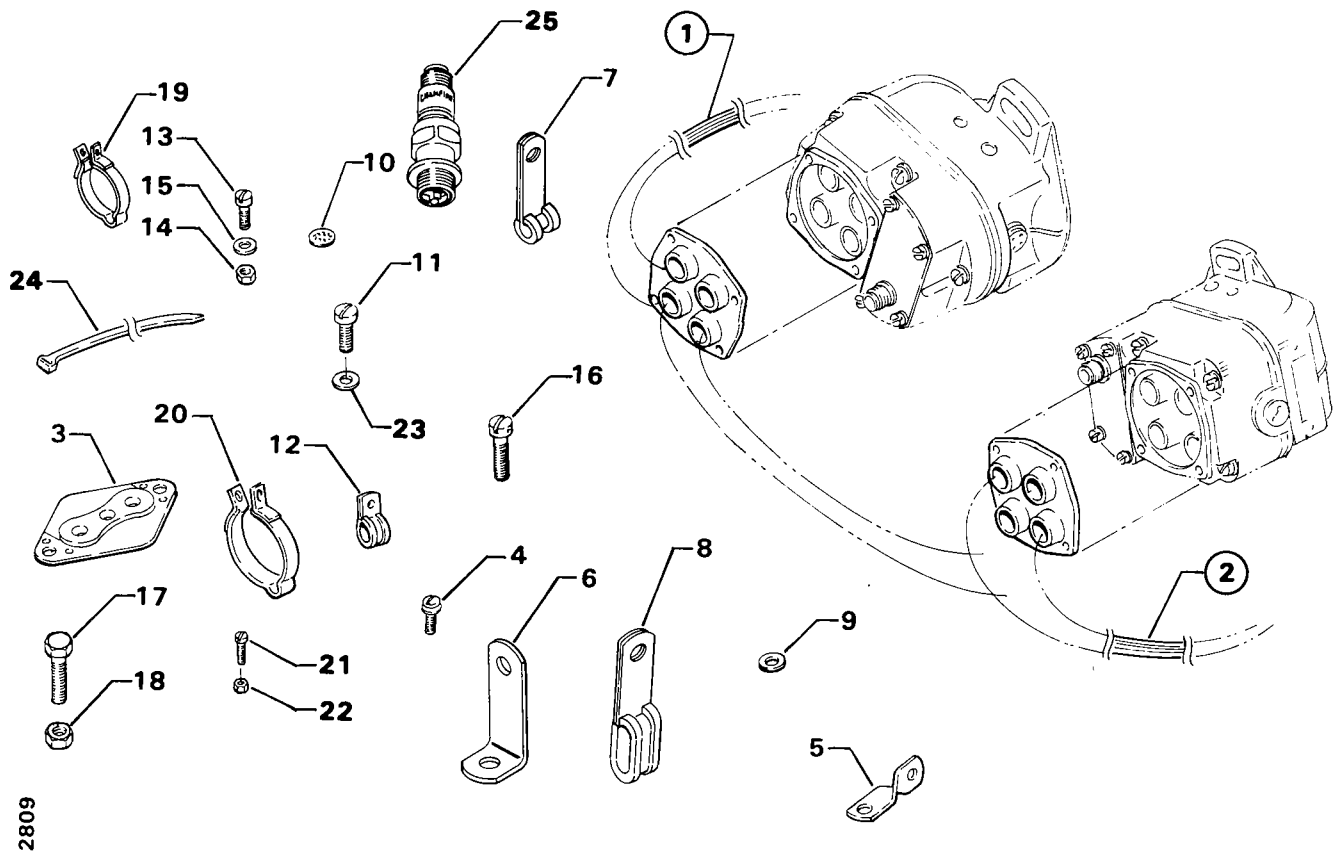


LYCOMING 10, L10, H10, T10, AE10-360 SERIES PARTS CATALOG  
 WIDE CYLINDER FLANGE CRANKCASE MODEL ENGINES

IGNITION SYSTEM  
 IGNITION HARNESS AND SPARK PLUGS (Cont.)

| FIG. REF. | PART NUMBER    | DESCRIPTION                               | QUANTITY PER ASSEMBLY |     |     |     |     |     |     |     |     |         |     |     |     |     |     |          |     |     |
|-----------|----------------|---|-----------------------|-----|-----|-----|-----|-----|-----|-----|-----|---------|-----|-----|-----|-----|-----|----------|-----|-----|
|           |                |   | L10-360               |     |     |     |     |     |     |     |     | T10-360 |     |     |     |     |     |          |     |     |
|           |                |   | I0-360                |     |     |     |     |     |     |     |     | H10-360 |     |     |     |     |     | AE10-360 |     |     |
|           |                |   | C1A                   | C1B | C1C | C1D | C1E | C1F | J1A | C1E | A1A | B1A     | C1A | C1B | D1A | E1A | E1B | F1A      | A1B | A1E |
| 25        |                |   |                       |     |     |     |     |     |     |     |     |         |     |     |     |     |     |          |     |     |
| *         | 76923-48S90-63 | LEAD ASSY.. Replacement, all bottom leads |                       |     |     |     |     |     |     |     |     |         |     |     |     |     |     |          |     |     |
| *         | M-1985-48      | LEAD ASSY.. Replacement, all leads        |                       | un  |     | un  |     |     |     | un  | un  | un      |     |     |     |     |     | un       |     |     |
| *         | M-1985-48      | LEAD ASSY.. Replacement, bottom leads     |                       | un  | un  | un  |     |     | un  |     |     |         |     |     |     |     |     |          |     |     |
| *         | M-1985-72      | LEAD ASSY.. Replacement, top leads        |                       | un  | un  | un  |     |     | un  |     |     |         |     |     |     |     |     |          |     |     |

\* - Replacement leads furnished with spark plug end assembled. Lead includes eyelet and ferrule for assembly to magneto plate.



2809

Figure 25. IGNITION HARNESS AND SPARK PLUGS

**Intentionally  
Left  
Blank**

**LYCOMING 10, L10, H10, T10, AE10-360 SERIES PARTS CATALOG**  
**WIDE CYLINDER FLANGE CRANKCASE MODEL ENGINES**

**IGNITION SYSTEM**  
**IGNITION HARNESS (SCINTILLA) AND SPARK PLUGS**

| FIG. REF. | PART NUMBER   | DESCRIPTION                                       | QUANTITY PER ASSEMBLY |     |     |     |         |     |     |     |         |     |     |     |          |     |     |     |     |     |     |
|-----------|---------------|---|-----------------------|-----|-----|-----|---------|-----|-----|-----|---------|-----|-----|-----|----------|-----|-----|-----|-----|-----|-----|
|           |               |   | L10-360               |     |     |     |         |     |     |     | T10-360 |     |     |     |          |     |     |     |     |     |     |
|           |               |   | I0-360                |     |     |     | H10-360 |     |     |     | A10-360 |     |     |     | AE10-360 |     |     |     |     |     |     |
|           |               |   | C1A                   | C1B | C1C | C1D | C1E     | C1F | J1A | J1D | A1A     | B1A | C1A | C1B | D1A      | E1A | E1B | F1A | A1B | A1E | B1G |
| 1         | LW-720410-3   | HARNESS ASSY., Ignition                           |                       |     |     |     |         |     |     |     |         |     |     |     |          |     |     |     |     |     |     |
|           | LW-720510-1   | HARNESS ASSY., Ignition                           |                       |     | 1   |     |         |     | 1   |     |         |     |     |     |          |     |     |     |     |     |     |
|           | LW-720510-4   | HARNESS ASSY., Ignition                           |                       |     |     |     |         |     |     |     |         |     | 1   |     |          |     |     |     |     |     |     |
| 2         | 72351         | SCREW, No. 10-32 self-locking                     |                       |     |     |     |         |     |     | 8   | 8       |     |     |     |          |     |     |     |     |     |     |
| 3         | 65614         | PLUG, Baffle attaching                            |                       |     |     |     |         |     |     | 1   | 1       |     |     |     |          |     |     |     |     |     |     |
| 4         | STD-251       | WASHER, No. 10 lock, internal teeth               |                       |     |     |     |         |     |     | 1   | 1       |     |     |     |          |     |     |     |     |     |     |
| 5         | STD-969       | SCREW, No. 10-32 x 1/2 long, fill. hd.            |                       |     |     |     |         |     |     | 1   | 1       |     |     |     |          |     |     |     |     |     |     |
| 6         | AN500-A416-10 | SCREW, 1/4-20 x 5/8 long, fill. hd. dr. hd.       |                       |     | 4   |     |         | 4   |     |     |         |     | 4   |     |          |     |     |     |     |     |     |
| 7         | STD-1874      | SCREW, 1/4-20 x 7/8 long, fill. hd., self-locking |                       |     | 4   |     |         | 4   |     | 4   | 4       | 4   |     |     |          |     |     |     |     |     |     |
| 8         | STD-696       | WASHER, 1/4 plain, (thin)                         |                       |     | un  |     |         | un  |     | un  | un      | un  |     |     |          |     |     |     |     |     |     |
| 9         | 1182-J3       | SPARK PLUG, (Champion REM-38E)                    |                       |     | 8   |     |         |     |     | 8   | 8       | 8   |     |     |          |     |     |     |     |     |     |
|           | 1182-N3       | SPARK PLUG, (Champion REM-38P)                    |                       |     |     |     |         |     |     |     | 8       | 8   |     |     |          |     |     |     |     |     |     |
|           | 1182-N4       | SPARK PLUG, (Champion REB-37E)                    |                       |     |     |     |         | 8   |     |     |         |     |     |     |          |     |     |     |     |     |     |
| *         | 10-720632-48  | LEAD ASSY., Replacement, all leads                |                       |     | un  |     |         | un  |     | un  | un      | un  |     |     |          |     |     |     |     |     |     |

\* - Replacement leads furnished with spark plug end assembled. Lead includes eyelet and ferrule for assembly to magneto plate.

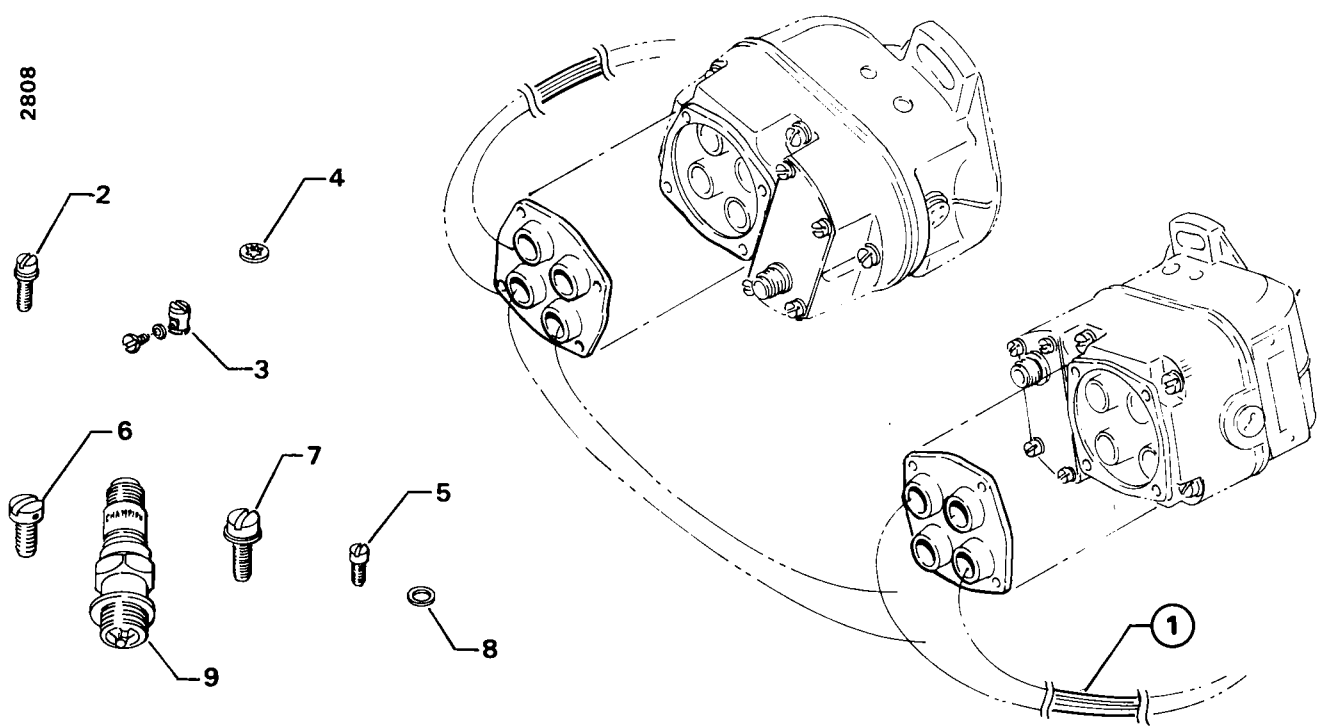


Figure 26. IGNITION HARNESS (SCINTILLA) AND SPARK PLUGS





LYCOMING 10, LI0, HI0, T10, AE10-360 SERIES PARTS CATALOG  
WIDE CYLINDER FLANGE CRANKCASE MODEL ENGINES

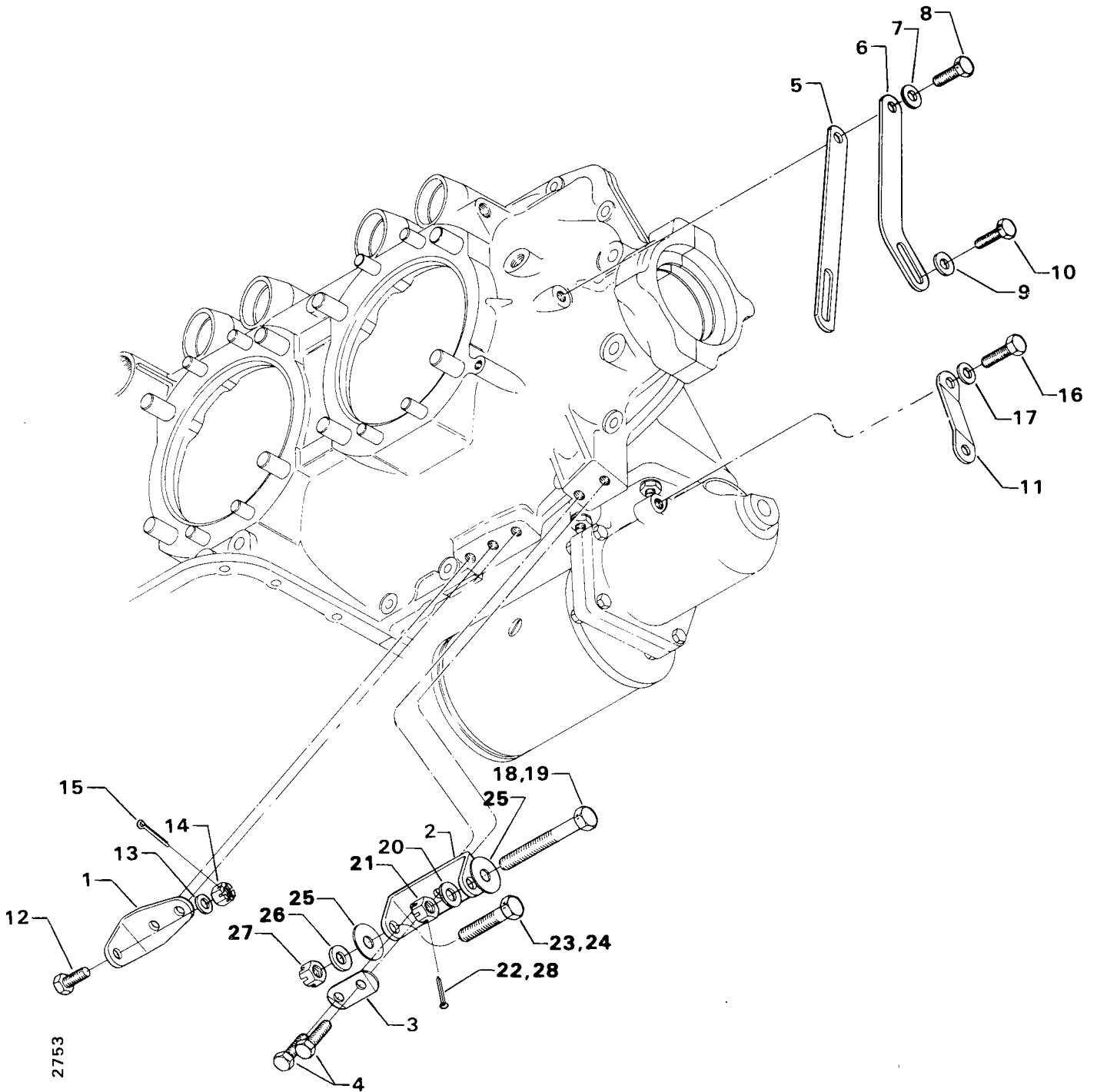
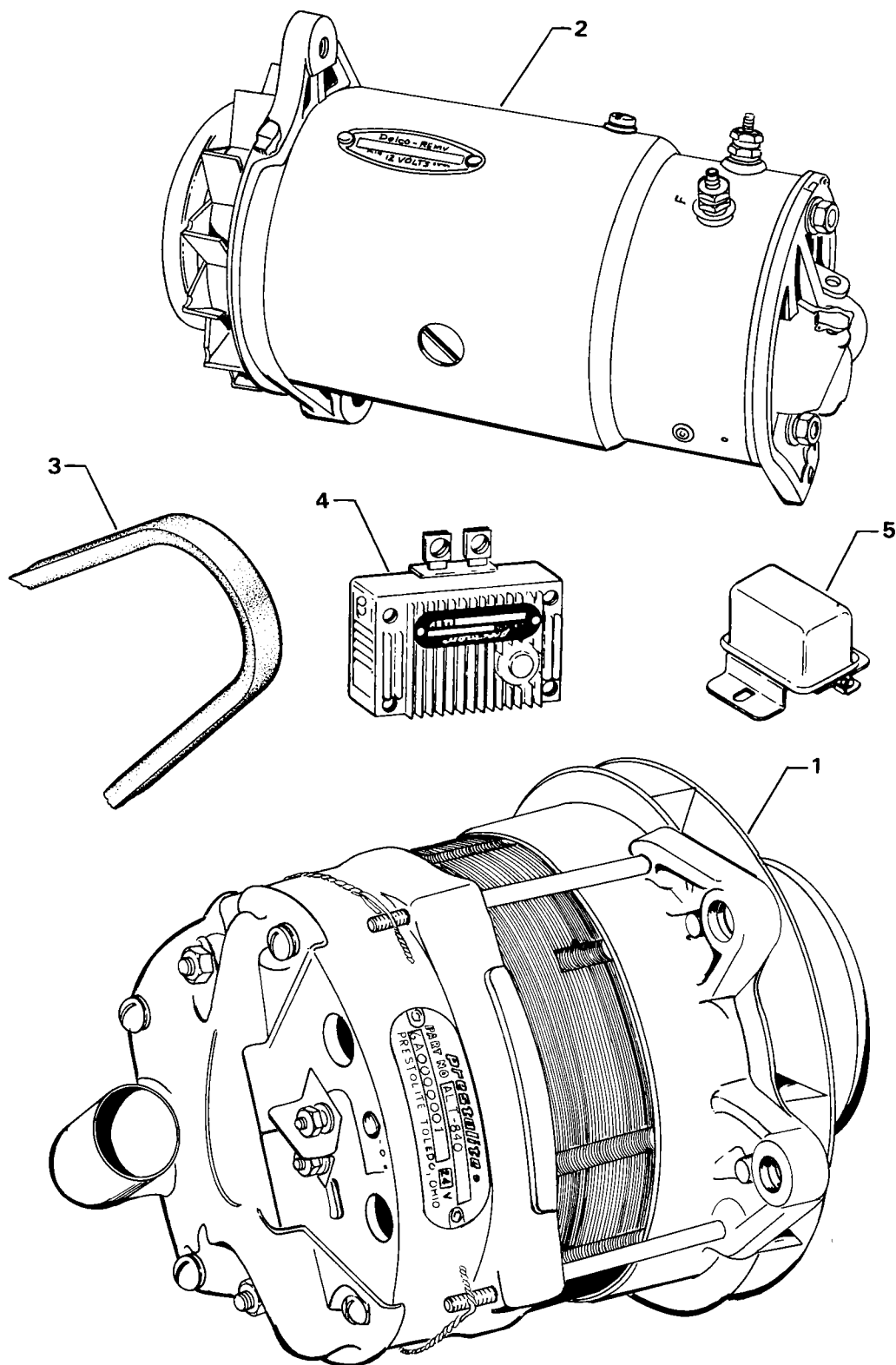


Figure 27. ALTERNATOR AND GENERATOR MOUNTING BRACKETS



LYCOMING 10, L10, H10, T10, AE10-360 SERIES PARTS CATALOG  
WIDE CYLINDER FLANGE CRANKCASE MODEL ENGINES



2705

Figure 28. ALTERNATORS, GENERATORS, REGULATORS AND DRIVE BELTS

**LYCOMING 10, L10, H10, T10, AEIO-360 SERIES PARTS CATALOG**  
 WIDE CYLINDER FLANGE CRANKCASE MODEL ENGINES

**ELECTRICAL SYSTEM**  
 STARTING MOTOR AND MAGNETIC SWITCH

| FIG. REF. | PART NUMBER | DESCRIPTION  | QUANTITY PER ASSEMBLY |         |     |     |     |     |         |     |     |     |     |         |     |     |          |     |     |     |     |     |     |
|-----------|-------------|--|-----------------------|---------|-----|-----|-----|-----|---------|-----|-----|-----|-----|---------|-----|-----|----------|-----|-----|-----|-----|-----|-----|
|           |             |  | O<br>N                | L10-360 |     |     |     |     |         |     |     |     |     | T10-360 |     |     |          |     |     |     |     |     |     |
|           |             |  |                       | I0-360  |     |     |     |     | H10-360 |     |     |     |     | A10-360 |     |     | AEIO-360 |     |     |     |     |     |     |
|           |             |  |                       | C1A     | C1B | C1C | C1D | C1E | C1F     | J1A | J1B | C1E | A1A | B1A     | C1A | C1B | D1A      | E1A | E1B | F1A | A1B | A1E | B1G |
| 29        |             |  |                       |         |     |     |     |     |         |     |     |     |     |         |     |     |          |     |     |     |     |     |     |
| 1         | LW-15571    | STARTER, 12V., 3.38:1 internal reduction, 12/14 pitch pinion |                       | 1       | 1   | 1   | 1   | 1   | 1       | 1   | 1   | 1   |     |         |     |     |          | 1   |     | 1   | 1   | 1   |     |
|           | LW-14215    | STARTER, 12V., 3.38:1 internal reduction, 12/14 pitch pinion |                       |         |     |     |     |     |         | 1   |     |     |     |         |     |     |          |     |     |     |     |     |     |
|           | LW-15573    | STARTER, 12V., 3.38:1 internal reduction, 12/14 pitch pinion |                       |         |     |     |     |     |         |     |     |     |     |         |     |     |          |     |     |     |     |     |     |
|           | LW-15572    | STARTER, 24V., 3.38:1 internal reduction, 12/14 pitch pinion |                       |         |     |     |     |     |         |     | 1   | 1   |     |         | 1   |     |          |     |     |     |     |     |     |
|           | LW-15574    | STARTER, 24V., 3.38:1 internal reduction, 12/14 pitch pinion |                       |         | 1   |     |     | 1   |         |     |     |     |     |         |     |     |          |     | 1   |     |     |     |     |
|           | LW-18047    | STARTER, 12V., 3.38:1 internal reduction, 12/14 pitch pinion |                       |         |     |     |     |     |         |     |     | 1   | 1   |         | 1   |     |          |     |     |     |     |     |     |
|           |             |  |                       |         |     |     |     |     |         |     |     |     |     |         | 1   | 1   | 1        |     |     |     |     |     |     |
| 2         | STD-35      | WASHER, 5/16 plain   | 4                     | 4       | 4   | 4   | 4   | 4   | 4       | 4   | 4   | 3   | 3   | 4       | 4   | 3   |          |     | 4   | 4   | 4   | 4   | 4   |
|           | STD-35      | WASHER, 5/16 plain   |                       |         |     |     |     |     |         |     |     |     |     |         |     |     | 2        | 2   | 2   |     |     |     |     |
| 3         | STD-475     | WASHER, 5/16 lock, internal teeth                            | 4                     | 4       | 4   | 4   | 4   | 4   | 4       | 4   | 4   |     |     | 4       | 4   |     |          |     | 4   | 4   | 4   | 4   | 4   |
| 4         | STD-2156    | BOLT, 5/16-18 x 1-5/32 long, hex. hd.                        | 1                     | 1       | 1   | 1   | 1   | 1   | 1       | 1   | 1   |     |     | 1       | 1   |     |          |     | 1   | 1   | 1   | 1   | 1   |
| 5         | STD-1889    | BOLT, 5/16-18 x 1-7/32 long, hex. hd.                        |                       |         |     |     |     |     |         |     |     | 2   | 2   |         |     | 2   |          |     |     |     |     |     |     |
| 6         | STD-1727    | WASHER, 5/16 x 1/8 thick                                     |                       |         |     |     |     |     |         |     |     |     |     |         |     |     | 2        | 2   | 2   |     |     |     |     |
| 7         | STD-1410    | NUT, 5/16-18 plain   | 3                     | 3       | 3   | 3   | 3   | 3   | 3       | 3   | 3   |     |     | 3       | 3   |     |          |     | 3   | 3   | 3   | 3   | 3   |
| 8         | STD-1420    | NUT, 5/16-18 slotted   |                       |         |     |     |     |     |         |     |     | 1   | 1   |         |     | 1   |          |     |     |     |     |     |     |
| 9         | LW-12083    | SWITCH, Magnetic, (SAZ-4201E-1)                              | 1                     | 1       | 1   |     | 1   |     | 1       | 1   |     |     |     | 1       | 1   | 1   |          |     |     |     |     | 1   | 1   |
|           | LW-12085    | SWITCH, Magnetic, (SAZ-4401C-1)                              |                       |         | 1   |     | 1   |     |         |     |     |     |     | 1       |     |     |          |     |     | 1   |     |     |     |
|           | LW-12086    | SWITCH, Magnetic, (SAZ-4401-1)                               |                       |         |     |     |     |     |         |     |     |     |     | 1       |     | 1   |          |     |     |     |     |     |     |

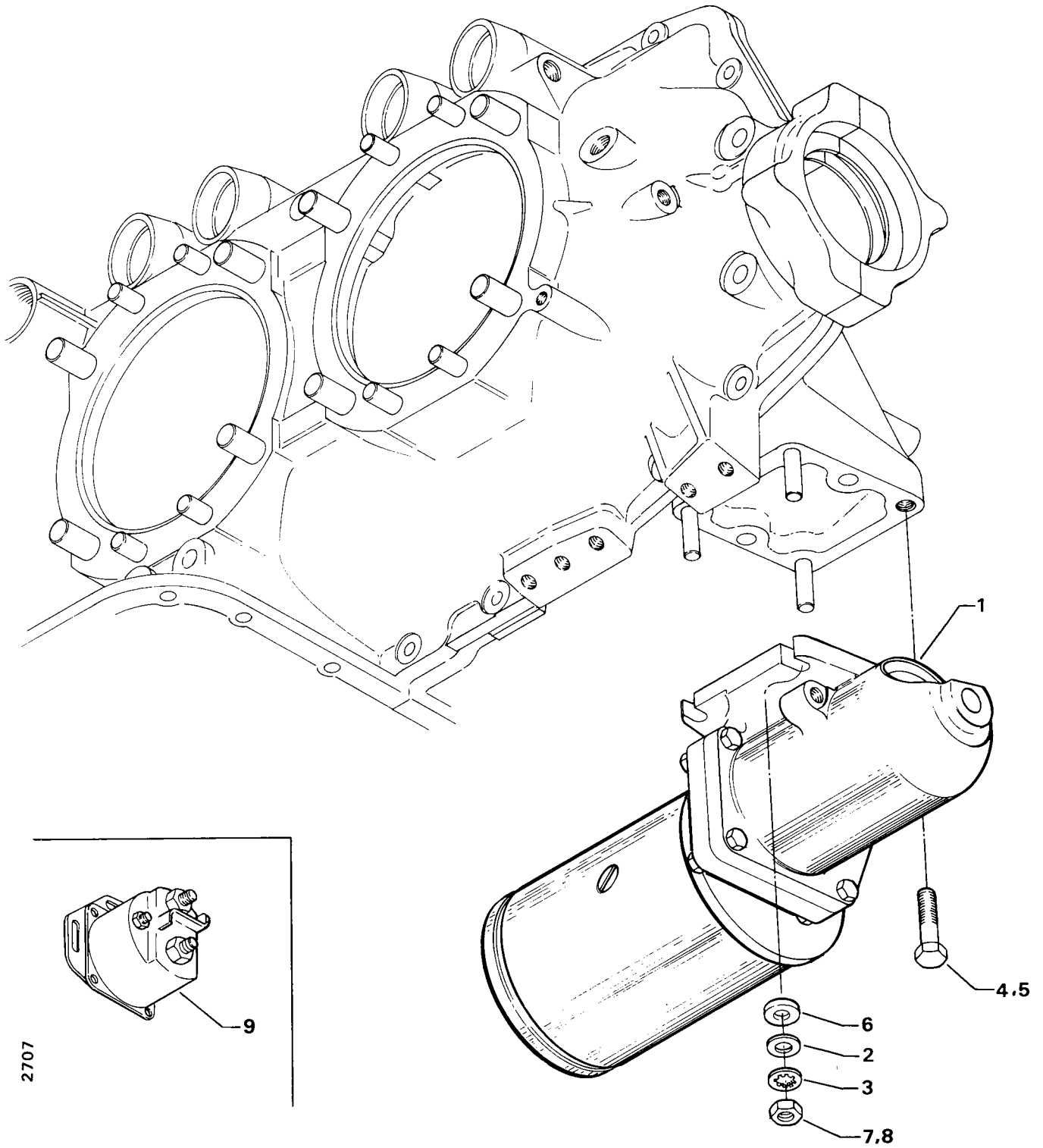


Figure 29. STARTING MOTOR AND MAGNETIC SWITCH

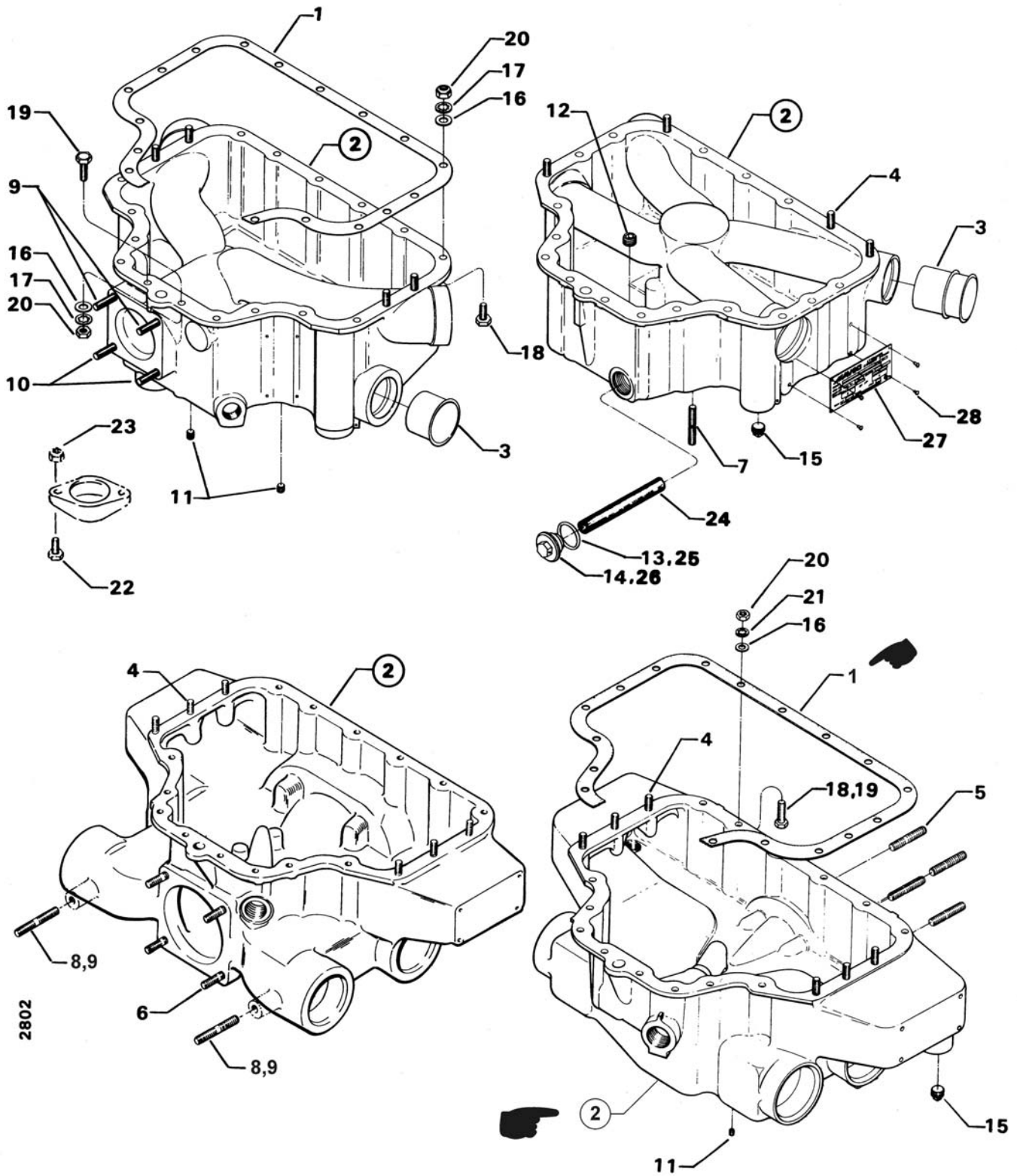


**OIL SUMP AND INDUCTION SYSTEM**  
 OIL SUMP ASSEMBLY AND OIL SUCTION SCREEN

| FIG. REF | PART NUMBER   | DESCRIPTION                            | QUANTITY PER ASSEMBLY |      |      |       |     |     |      |       |       |      |    |  |   |
|----------|---------------|--|-----------------------|------|------|-------|-----|-----|------|-------|-------|------|----|--|---|
|          |               |  | LIO-360               |      |      |       |     |     |      |       |       |      |    |  |   |
|          |               |  | IO-360                |      |      |       |     |     |      |       |       |      |    |  | ↓ |
| C1A      | C1B           | C1C                                    | C1C6                  | C1D6 | C1E6 | C1E6D | C1F | D1A | J1A6 | J1A6D | J1A6D | C1E6 |    |  |   |
| 30       |               |  |                       |      |      |       |     |     |      |       |       |      |    |  |   |
| 1        | LW-13353      | GASKET, Oil sump                       | 1                     | 1    | 1    | 1     | 1   | 1   | 1    | 1     | 1     | 1    | 1  |  |   |
| 2        | 76808         | SUMP ASSY., Oil                        | -                     | -    | -    | -     | -   | -   | -    | -     | -     | -    | -  |  |   |
|          | LW-12754      | SUMP ASSY., Oil                        | 1                     | 1    | 1    | 1     | 1   | 1   | 1    | 1     | 1     | 1    | 1  |  |   |
|          | 77528         | SUMP ASSY., Oil                        | -                     | -    | -    | -     | -   | -   | -    | -     | -     | -    | -  |  |   |
|          | LW-12618      | SUMP ASSY., Oil                        | -                     | -    | -    | -     | -   | -   | -    | -     | -     | -    | -  |  |   |
|          | LW-13864      | SUMP ASSY., Oil                        |                       |      |      |       |     |     |      |       |       | 1    | 1  |  |   |
|          | LW-13861      | SUMP ASSY., Oil                        | -                     | -    | -    | -     | -   | -   | -    | -     | -     | -    | -  |  |   |
|          | LW-14439      | SUMP ASSY., Oil                        | -                     | -    | -    | -     | -   | -   | -    | -     | -     | -    | -  |  |   |
| 3        | 69602         | CONNECTION, Intake pipe                | -                     | -    | -    | -     | -   | -   | -    | -     | -     | -    | -  |  |   |
|          | 78914         | CONNECTION, Intake pipe                | -                     | -    | -    | -     | -   | -   | -    | -     | -     | -    | -  |  |   |
| 4        | 61400         | STUD, 1/4-20 x 1-3/16 long             | 6                     | 6    | 6    | 6     | 6   | 6   | 6    | 6     | 6     | 6    | 6  |  |   |
|          | 25C-10        | STUD, 1/4-20 x 1 1/4 long              | -                     | -    | -    | -     | -   | -   | -    | -     | -     | -    | -  |  |   |
| 5        | 31C-14        | STUD, 5/16-18 x 1 3/4 long             |                       |      |      |       |     |     |      |       |       | 4    | 4  |  |   |
| 6        | 31C-12        | STUD, 5/16-18 x 1 1/2 long             | 4                     | 4    | 4    | 4     | 4   | 4   | 4    | 4     | 4     |      | 4  |  |   |
| 7        | 31C-17        | STUD, 5/16-18 x 2 1/8 long             | -                     | -    | -    | -     | -   | -   | -    | -     | -     | -    | -  |  |   |
| 8        | 31C-22        | STUD, 5/16-18 x 2 3/4 long             | -                     | -    | -    | -     | -   | -   | -    | -     | -     | -    | -  |  |   |
| 9        | 31C-24        | STUD, 5/16-18 x 3.00 long              | -                     | -    | -    | -     | -   | -   | -    | -     | -     | -    | -  |  |   |
| 10       | 31C-27        | STUD, 5/16-18 x 3 3/8 long             | -                     | -    | -    | -     | -   | -   | -    | -     | -     | -    | -  |  |   |
| 11       | 1102          | PLUG, 1/8-27 NPT, Allen hd.            | -                     | -    | -    | -     | -   | -   | -    | -     | -     | -    | -  |  |   |
| 12       | STD-91        | PLUG, 1/2-14 NPT, Allen hd.            | -                     | -    | -    | -     | -   | -   | -    | -     | -     | -    | -  |  |   |
| 13       | 06E19769-1.00 | GASKET, Annular, 1.00 ID               | -                     | -    | -    | -     | -   | -   | -    | -     | -     | -    | -  |  |   |
| 14       | 69335         | PLUG, 1.00-20 thd., 5/8 hex. hd.       | -                     | -    | -    | -     | -   | -   | -    | -     | -     | -    | -  |  |   |
| 15       | STD-551       | PLUG, 1/2-14 NPT, sq. hd. dr.          | 1                     | 1    | 1    | 1     | 1   | 1   | 1    | 1     | 1     | 2    | 2  |  |   |
| 16       | STD-8         | WASHER, 1/4 plain                      | 26                    | 26   | 26   | 26    | 26  | 26  | 26   | 26    | 26    | 26   | 26 |  |   |
| 17       | STD-160       | WASHER, 1/4 lock, internal teeth       | 20                    | 20   | 20   | 20    | 20  | 20  | 20   | 20    | 20    | 20   | 20 |  |   |
| 18       | LW-25-0.94    | BOLT, 1/4-20 x .94 long, hex. hd.      | 14                    | 14   | 14   | 14    | 14  | 14  | 14   | 14    | 14    | 12   | 12 |  |   |
| 19       | LW-25-1.13    | BOLT, 1/4-20 x 1.13 long, hex. hd.     | 2                     | 2    | 2    | 2     | 2   | 2   | 2    | 2     | 2     | 2    | 2  |  |   |
| 20       | STD-1411      | NUT, 1/4-20 plain                      | 12                    | 12   | 12   | 12    | 12  | 12  | 12   | 12    | 12    | 12   | 12 |  |   |
| 21       | STD-8         | WASHER, 1/4 plain                      | -                     | -    | -    | -     | -   | -   | -    | -     | -     | -    | -  |  |   |
| 22       | LW-25-1.25    | BOLT, 1/4-20 x 1 1/4 long, hex. hd.    | -                     | -    | -    | -     | -   | -   | -    | -     | -     | -    | -  |  |   |
| 23       | STD-2044      | NUT, 1/4-20 self-locking               | -                     | -    | -    | -     | -   | -   | -    | -     | -     | -    | -  |  |   |
| 24       | 70484         | SCREEN, Oil suction                    | 1                     | 1    | 1    | 1     | 1   | 1   | 1    | 1     | 1     | 1    | 1  |  |   |
| 25       | 06E19769-1.00 | GASKET, Annular, 1.00 ID               | 1                     | 1    | 1    | 1     | 1   | 1   | 1    | 1     | 1     | 1    | 1  |  |   |
| 26       | LW-12545      | PLUG, 5/8 hex. hd. x 1.00-20 thd.      | 1                     | 1    | 1    | 1     | 1   | 1   | 1    | 1     | 1     | 1    | 1  |  |   |
| 27       | 61548         | NAMEPLATE                              | 1                     | 1    | 1    | 1     | 1   | 1   | 1    | 1     | 1     | 1    | 1  |  |   |
| 28       | STD-1901      | DRIVE STUD, No. 4 x 3/16 long, rd. hd. | 4                     | 4    | 4    | 4     | 4   | 4   | 4    | 4     | 4     | 4    | 4  |  |   |





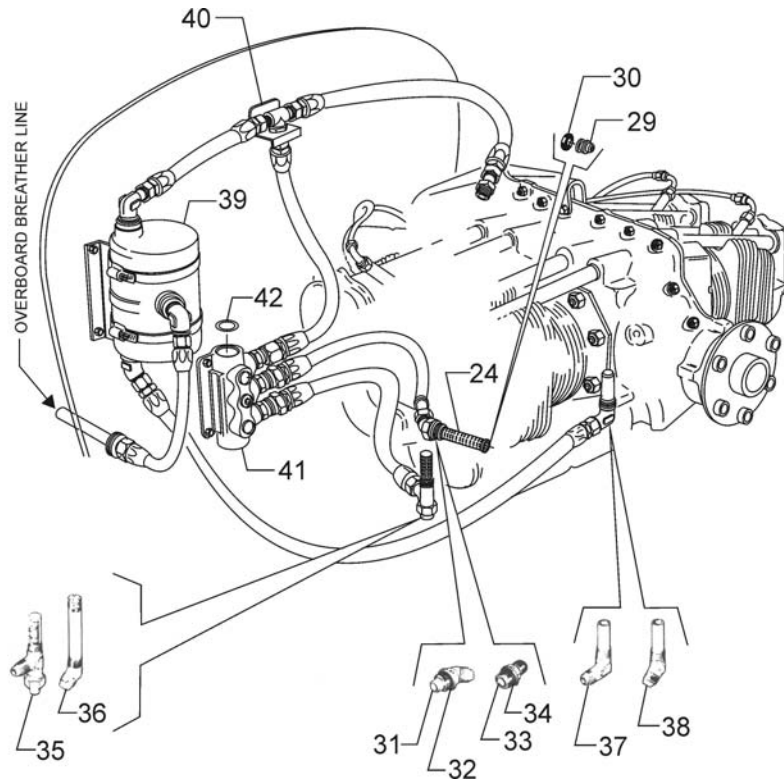


**FIGURE 30. OIL SUMP ASSEMBLY AND OIL SUCTION SCREEN**



**OIL SUMP AND INDUCTION SYSTEM**  
 OIL SUMP ASSEMBLY, SUCTION SCREEN AND AEROBATIC COMPONENTS

| FIG. REF. | PART NUMBER | DESCRIPTION                             | QUANTITY PER ASSEMBLY |   |   |   |   |   |          |   |   |   |   |   |   |   |
|-----------|-------------|---|-----------------------|---|---|---|---|---|----------|---|---|---|---|---|---|---|
|           |             |   | TIO-360               |   |   |   |   |   |          |   |   |   |   | ↓ |   |   |
|           |             |   | HIO-360               |   |   |   |   |   | AEIO-360 |   |   |   |   |   |   |   |
| A         | A           | B                                       | B                     | C | C | D | E | E | F        | A | A | A | B | H |   |   |
| 30A       |             |   | 1                     | 1 | 1 | 1 | 1 | 1 | 1        | 1 | 1 | 1 | 1 | 1 | 1 |   |
|           |             |   | A                     | B | A | B | A | B | A        | D |   |   |   |   |   |   |
| 29        | LW-13752    | PLUG, Sump                              |                       |   |   |   |   |   |          |   |   |   | 1 | 1 | 1 | 1 |
| 30        | 50004-111   | RING, "O"                               |                       |   |   |   |   |   |          |   |   |   | 1 | 1 | 1 | 1 |
| 31        | LW-13751    | FITTING, Sump, oil suction (45° elbow)  |                       |   |   |   |   |   |          |   |   |   | 1 |   |   |   |
| 32        | 50004-018   | RING, "O"                               |                       |   |   |   |   |   |          |   |   |   | 1 |   |   |   |
| 33        | LW-14035    | FITTING, Sump, oil suction (straight)   |                       |   |   |   |   |   |          |   |   |   | 1 | 1 | 1 | 1 |
| 34        | AN-900-16   | RING, "O"                               |                       |   |   |   |   |   |          |   |   |   | 1 | 1 | 1 | 1 |
| 35        | LW-13753    | FITTING, Sump, oil strainer & drain tee |                       |   |   |   |   |   |          |   |   |   | 1 |   | 1 | 1 |
| 36        | LW-15394    | FITTING, Sump, oil strainer (45° elbow) |                       |   |   |   |   |   |          |   |   |   |   |   |   |   |
|           |             | long                                    |                       |   |   |   |   |   |          |   |   |   | 1 | 1 |   |   |
| 37        | LW-13754    | FITTING, Sump, oil return (90° elbow)   |                       |   |   |   |   |   |          |   |   |   | 1 |   | 1 | 1 |
| 38        | LW-14148    | FITTING, Sump, oil return (45° elbow)   |                       |   |   |   |   |   |          |   |   |   | 1 | 1 |   |   |
| 39        | 57A21009    | SEPARATOR, Oil                          |                       |   |   |   |   |   |          |   |   |   | 1 | 1 | 1 | 1 |
| 40        | LW-13755    | TEE, Breather                           |                       |   |   |   |   |   |          |   |   |   | 1 | 1 | 1 | 1 |
| 41        | 57B19829    | VALVE, Oil                              |                       |   |   |   |   |   |          |   |   |   | 1 | 1 | 1 | 1 |
| 42        | 50004-027   | RING, "O"                               |                       |   |   |   |   |   |          |   |   |   | 1 | 1 | 1 | 1 |



**FIGURE 30A. INVERTED OIL SYSTEM WITH BREATHER TEE**

**LYCOMING 10, L10, H10, T10, AE10-360 SERIES PARTS CATALOG**  
**WIDE CYLINDER FLANGE CRANKCASE MODEL ENGINES**

**OIL SUMP AND INDUCTION SYSTEM**  
**INTAKE PIPES**

| FIG. REF. | PART NUMBER   | DESCRIPTION                                    | QUANTITY PER ASSEMBLY     |         |     |     |      |         |      |     |       |         |     |     |     |          |     |      |      |      |     |     |
|-----------|---------------|--|---------------------------|---------|-----|-----|------|---------|------|-----|-------|---------|-----|-----|-----|----------|-----|------|------|------|-----|-----|
|           |               |  | O<br>N<br><br>A<br>L<br>L | L10-360 |     |     |      |         |      |     |       | T10-360 |     |     |     |          |     |      |      |      |     |     |
|           |               |  |                           | I0-360  |     |     |      | H10-360 |      |     |       | A10-360 |     |     |     | AE10-360 |     |      |      |      |     |     |
|           |               |  |                           | C1A     | C1B | C1C | C1C6 | C1D6    | C1E6 | C1F | J1A6D | C1E6    | A1A | B1A | C1A | C1B      | D1A | E1AD | E1BD | F1AD | A1B | A1E |
| 1         | 77569         | SEAL, Intake pipe                              |                           | 4       | 4   | 4   | 4    | 4       | 4    | 4   | 4     | 4       | 4   | 4   |     |          |     |      | 4    | 4    |     |     |
| 2         | 70485         | PIPE, Intake                                   |                           |         |     |     |      |         |      |     |       |         |     |     |     |          |     |      |      |      | 4   | 4   |
|           | 71712         | PIPE, Intake, no. 1 & 2 cyls.                  |                           |         |     |     |      |         |      |     |       |         | 2   |     |     |          |     |      |      |      |     |     |
|           | 71713         | PIPE, Intake, no. 3 & 4 cyls.                  |                           |         |     |     |      |         |      |     |       |         | 2   |     |     |          |     |      |      |      |     |     |
|           | 78741         | PIPE, Intake, no 1 cyl.                        |                           |         |     |     |      |         | 1    |     |       |         |     |     |     |          |     |      |      | 1    |     |     |
|           | 78742         | PIPE, Intake, no. 2 cyl.                       |                           |         |     |     |      |         | 1    |     |       |         |     |     |     |          |     |      |      | 1    |     |     |
|           | 78743         | PIPE, Intake no. 3 cyl.                        |                           |         |     |     |      |         | 1    |     |       |         |     |     |     |          |     |      |      | 1    |     |     |
|           | 78744         | PIPE, Intake, no. 4 cyl.                       |                           |         |     |     |      |         | 1    |     |       |         |     |     |     |          |     |      |      | 1    |     |     |
|           | 78981         | PIPE, Intake, no. 1 cyl.                       |                           | 1       | 1   |     |      | 1       |      |     |       | 1       | 1   | 1   |     |          |     |      |      |      |     |     |
|           | 78982         | PIPE, Intake, no. 2 cyl.                       |                           | 1       | 1   |     |      | 1       |      |     |       | 1       | 1   | 1   |     |          |     |      |      |      |     |     |
|           | 78983         | PIPE, Intake, no. 3 cyl.                       |                           | 1       | 1   |     |      | 1       |      |     |       | 1       | 1   | 1   |     |          |     |      |      |      |     |     |
|           | 78984         | PIPE, Intake, no. 4 cyl.                       |                           | 1       | 1   |     |      | 1       |      |     |       | 1       | 1   | 1   |     |          |     |      |      |      |     |     |
|           | 79001         | PIPE, Intake, no. 1 cyl.                       |                           |         |     |     |      |         |      |     |       |         |     |     |     |          |     |      | 1    |      |     |     |
|           | 79002         | PIPE, Intake, no. 2 cyl.                       |                           |         |     | 1   | 1    |         | 1    | 1   |       | 1       |     |     |     |          |     |      | 1    |      |     |     |
|           | 79003         | PIPE, Intake, no. 3 cyl.                       |                           |         |     |     |      |         |      |     |       |         |     |     |     |          |     |      | 1    |      |     |     |
|           | 79004         | PIPE, Intake, no. 4 cyl.                       |                           |         |     |     |      |         |      |     |       |         |     |     |     |          |     |      | 1    |      |     |     |
|           | LW-10481      | PIPE, Intake, no. 1 cyl.                       |                           |         |     | 1   | 1    |         | 1    | 1   |       | 1       |     |     |     |          |     |      |      |      |     |     |
|           | LW-10483      | PIPE, Intake, no. 3 cyl.                       |                           |         |     | 1   | 1    |         | 1    | 1   |       | 1       |     |     |     |          |     |      |      |      |     |     |
|           | LW-10484      | PIPE, Intake, no. 4 cyl.                       |                           |         |     | 1   | 1    |         | 1    | 1   |       | 1       |     |     |     |          |     |      |      |      |     |     |
|           | LW-11281      | PIPE, Intake, no. 1 cyl.                       |                           |         |     |     |      |         |      |     |       |         | 1   |     |     |          |     |      |      |      |     |     |
|           | LW-11282      | PIPE, Intake, no. 2 cyl.                       |                           |         |     |     |      |         |      |     |       |         | 1   |     |     |          |     |      |      |      |     |     |
|           | LW-11283      | PIPE, Intake, no. 3 cyl.                       |                           |         |     |     |      |         |      |     |       |         | 1   |     |     |          |     |      |      |      |     |     |
|           | LW-11284      | PIPE, Intake, no. 4 cyl.                       |                           |         |     |     |      |         |      |     |       |         | 1   |     |     |          |     |      |      |      |     |     |
|           | LW-12621      | PIPE, Intake, no. 1 cyl.                       |                           |         |     |     |      |         |      |     |       |         |     |     | 1   |          |     |      |      |      |     |     |
|           | LW-12622      | PIPE, Intake, no. 2 cyl.                       |                           |         |     |     |      |         |      |     |       |         |     |     | 1   |          |     |      |      |      |     |     |
|           | LW-12623      | PIPE, Intake, no. 3 cyl.                       |                           |         |     |     |      |         |      |     |       |         |     |     | 1   |          |     |      |      |      |     |     |
|           | LW-12624      | PIPE, Intake, no. 4 cyl.                       |                           |         |     |     |      |         |      |     |       |         |     |     | 1   |          |     |      |      |      |     |     |
|           | LW-13264      | PIPE, Intake, no. 1 cyl.                       |                           |         |     |     |      | 1       |      |     |       |         |     |     |     |          |     |      |      |      |     |     |
|           | LW-13266      | PIPE, Intake, no. 3 cyl.                       |                           |         |     |     |      | 1       |      |     |       |         |     |     |     |          |     |      |      |      |     |     |
|           | LW-13265      | PIPE, Intake, no. 2 cyl.                       |                           |         |     |     |      |         | 1    |     |       |         |     |     |     |          |     |      |      |      |     |     |
|           | LW-13267      | PIPE, Intake, no. 4 cyl.                       |                           |         |     |     |      |         | 1    |     |       |         |     |     |     |          |     |      |      |      |     |     |
|           | LW-13107      | PIPE, Intake, no. 1 cyl.                       |                           |         |     |     |      |         |      |     |       |         |     |     | 1   | 1        | 1   |      |      |      |     |     |
|           | LW-13108      | PIPE, Intake, no. 2 cyl.                       |                           |         |     |     |      |         |      |     |       |         |     |     | 1   | 1        | 1   |      |      |      |     |     |
|           | LW-13109      | PIPE, Intake, no. 3 cyl.                       |                           |         |     |     |      |         |      |     |       |         |     |     | 1   | 1        | 1   |      |      |      |     |     |
|           | LW-13110      | PIPE, Intake, no. 4 cyl.                       |                           |         |     |     |      |         |      |     |       |         |     |     | 1   | 1        | 1   |      |      |      |     |     |
| 3         | 69603         | HOSE, 1-3/4 I.D. x 2-3/16 O.D. x<br>1-3/4 long |                           |         |     |     |      |         |      |     |       |         | 4   |     |     | 4        | 4   | 4    |      |      | 4   | 4   |
| 4         | LW-15592-8-28 | CLAMP, Hose                                    |                           |         |     |     |      |         |      |     |       |         | 8   |     |     | 8        | 8   | 8    |      |      | 8   | 8   |
| 5         | LW-12620      | RING, Seal, intake pipes                       |                           |         |     |     |      |         |      |     |       |         |     |     | 4   |          |     |      |      |      |     |     |
| 6         | 71973         | GASKET, 2 bolt flange, 1-7/8 I.D.              | 4                         |         |     |     |      |         |      |     |       |         |     |     |     |          |     |      |      |      |     |     |
| 7         | 73346         | FLANGE, Intake pipe, upper                     |                           |         |     |     |      |         |      |     |       |         | 4   |     |     |          |     |      |      |      | 4   | 4   |
| 8         | STD-8         | WASHER, 1/4 plain                              | 8                         |         |     |     |      |         |      |     |       |         |     |     |     |          |     |      |      |      |     |     |
| 9         | STD-160       | WASHER, 1/4 lock, internal teeth               | 8                         |         |     |     |      |         |      |     |       |         |     |     |     |          |     |      |      |      |     |     |
| 10        | STD-1215      | BOLT, 1/4-20 x 1-1/4 long, hex. hd.            | 8                         |         |     |     |      |         |      |     |       |         |     |     |     |          |     |      |      |      |     |     |
| 11        | 74139         | ADAPTER ASSY., Fuel drain valve                |                           | 2       | 2   |     |      |         |      |     |       | 2       | 2   | 2   | 2   |          |     |      |      |      |     |     |

# LYCOMING IO, LIO, HIO, TIO, AEIO-360 SERIES PARTS CATALOG

WIDE CYLINDER FLANGE CRANKCASE MODEL ENGINES

## OIL SUMP AND INDUCTION SYSTEM

### INTAKE PIPES (Cont.)

| FIG. REF. | PART NUMBER | DESCRIPTION                     | QUANTITY PER ASSEMBLY |         |     |     |      |         |      |     |       |          |     |     |     |     |     |     |     |     |     |     |     |
|-----------|-------------|---------------------------------|-----------------------|---------|-----|-----|------|---------|------|-----|-------|----------|-----|-----|-----|-----|-----|-----|-----|-----|-----|-----|-----|
|           |             |                                 | O                     | LIO-360 |     |     |      |         |      |     |       | TIO-360  |     |     |     |     |     |     |     |     |     |     |     |
|           |             |                                 |                       | IO-360  |     |     |      | HIO-360 |      |     |       | AEIO-360 |     |     |     |     |     |     |     |     |     |     |     |
|           |             |                                 |                       | C1A     | C1B | C1C | C1C6 | C1D6    | C1E6 | C1F | J1A6D | C1E6     | A1A | B1A | C1A | C1B | D1A | E1A | E1B | F1A | A1B | A1E | B1G |
| 31        | 75444       | ADAPTER ASSY., Fuel drain valve |                       | 2       |     | 2   |      |         |      |     |       | 2        | 2   |     |     |     |     |     |     |     |     |     |     |
|           | LW-13807    | ADAPTER ASSY., Fuel drain valve |                       |         |     |     |      |         |      |     |       |          |     |     | 3   | 3   | 3   |     |     |     |     |     |     |
| 12        | 1102        | PLUG, 1/8-27 NPT, Allen         | 2                     | 2       |     |     |      | 6       |      | 6   | 2     | 2        | 2   |     |     |     |     | 2   |     |     |     |     |     |
|           | 1102        | PLUG, 1/8-27 NPT, Allen         |                       | 4       | 4   | 4   | 4    | 4       | 4    | 4   |       | 4        | 4   |     |     |     |     |     |     |     |     |     |     |

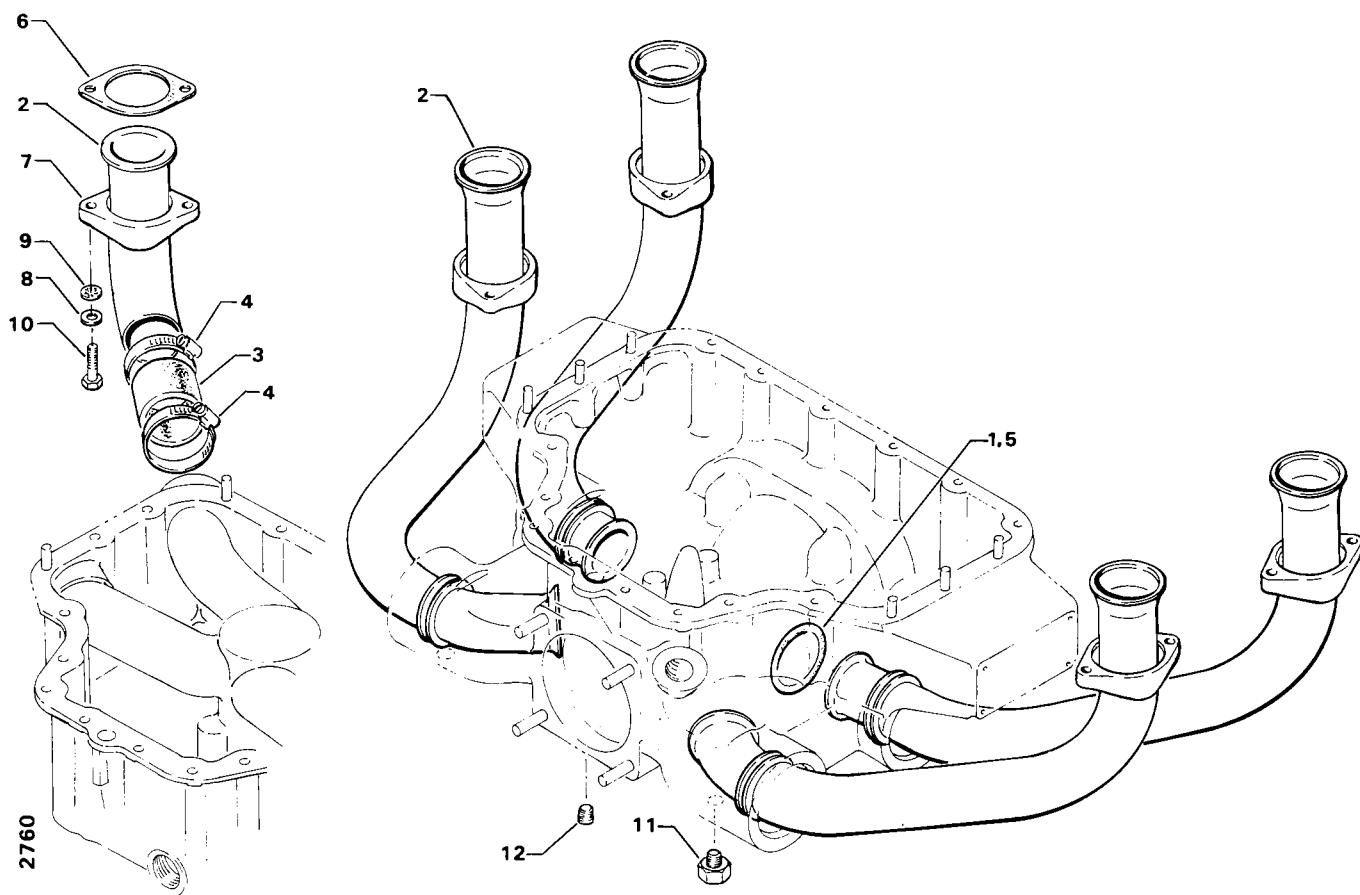


Figure 31. INTAKE PIPES



# LYCOMING IO, LIO, HIO, TIO, AEIO-360 SERIES PARTS CATALOG

## WIDE CYLINDER FLANGE CRANKCASE MODEL ENGINES

### OIL SUMP AND INDUCTION SYSTEM

#### FUEL INJECTORS, FUEL MANIFOLDS AND INJECTION NOZZLES (Cont.)

| FIG. REF. | PART NUMBER | DESCRIPTION | QUANTITY PER ASSEMBLY                |     |     |     |     |         |     |     |     |     |          |     |     |     |     |     |     |     |     |     |     |
|-----------|-------------|-------------|--------------------------------------|-----|-----|-----|-----|---------|-----|-----|-----|-----|----------|-----|-----|-----|-----|-----|-----|-----|-----|-----|-----|
|           |             |             | LIO-360                              |     |     |     |     |         |     |     |     |     | TIO-360  |     |     |     |     |     |     |     |     |     |     |
|           |             |             | IO-360                               |     |     |     |     | HIO-360 |     |     |     |     | AEIO-360 |     |     |     |     |     |     |     |     |     |     |
|           |             |             | C1A                                  | C1B | C1C | C1D | C1E | C1F     | J1A | J1D | C1E | A1A | B1A      | C1A | C1B | D1A | E1A | E1B | F1A | F1D | A1B | A1E | B1G |
| 32        |             |             |                                      |     |     |     |     |         |     |     |     |     |          |     |     |     |     |     |     |     |     |     |     |
|           | 27          | STD-1908    | WASHER, No. 10 lock, ex. teeth, 82°  |     |     |     |     |         |     |     |     |     |          |     |     |     |     |     |     |     |     |     |     |
|           | 28          | STD-251     | WASHER, No. 10 lock, internal teeth  |     |     |     |     |         |     |     |     |     |          |     |     |     |     |     |     |     |     |     |     |
|           | 29          | STD-82      | SCREW, No. 10-24 x 1/2 long, rd. hd. |     |     |     |     |         |     |     |     |     |          |     |     |     |     |     |     |     |     |     |     |
|           | 30          | STD-160     | WASHER, 1/4 lock, internal teeth     |     |     |     |     |         |     |     |     |     |          |     |     |     |     |     |     |     |     |     |     |
|           | 31          | LW-25-.50   | BOLT, 1/4-20 x 1/2 long, hex. hd.    |     |     |     |     |         |     |     |     |     |          |     |     |     |     |     |     |     |     |     |     |

\* - 76703 and LW-10020 fuel injectors have the fuel inlet fittings on opposite sides.

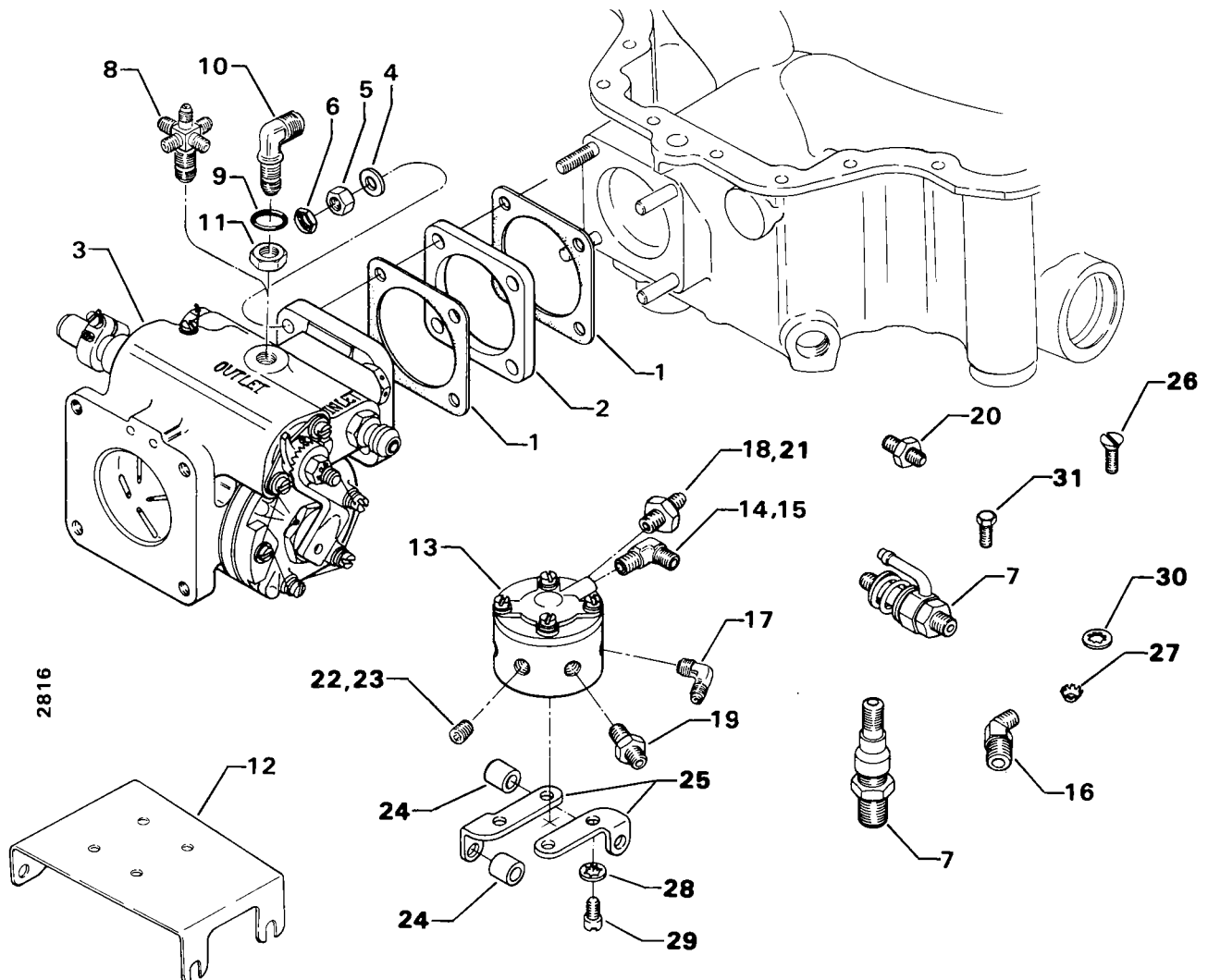


Figure 32. FUEL INJECTORS, FUEL MANIFOLDS AND INJECTION NOZZLES





# LYCOMING 10, L10, H10, T10, AEIO-360 SERIES PARTS CATALOG

WIDE CYLINDER FLANGE CRANKCASE MODEL ENGINES

## OIL SUMP AND INDUCTION SYSTEM

### FUEL INJECTORS, FUEL MANIFOLDS AND INJECTION NOZZLES (Cont.)

| FIG. REF. | PART NUMBER | DESCRIPTION                                | QUANTITY PER ASSEMBLY     |         |     |     |     |         |     |     |     |         |     |     |     |          |     |     |     |     |     |
|-----------|-------------|--|---------------------------|---------|-----|-----|-----|---------|-----|-----|-----|---------|-----|-----|-----|----------|-----|-----|-----|-----|-----|
|           |             |  | O<br>N<br><br>A<br>L<br>L | L10-360 |     |     |     |         |     |     |     | T10-360 |     |     |     |          |     |     |     |     |     |
|           |             |  |                           | IO-360  |     |     |     | HIO-360 |     |     |     | HIO-360 |     |     |     | AEIO-360 |     |     |     |     |     |
|           |             |  |                           | C1A     | C1B | C1C | C1D | C1E     | C1F | J1A | J1D | C1A     | B1A | C1A | C1B | D1A      | E1A | E1D | F1A | A1B | A1E |
|           | STD-148     | NIPPLE, Union, 1/8 NPT                     |                           |         |     | 4   | 4   |         |     | 4   | 4   |         |     |     |     |          |     | 4   |     |     |     |
| 30        | 1102        | PLUG, 1/8-27 NPT, Allen                    | 2                         | 2       | 2   | 2   | 2   | 2       | 2   |     |     | 2       | 2   |     |     |          |     | 2   |     |     |     |
| 31        | LW-12604    | NIPPLE, 1/8 tube to 1/8 NPT, (restricted)  |                           | 1       | 1   |     | 1   |         |     |     |     | 1       | 1   |     |     |          |     | 1   |     |     |     |
| 32        | 75447       | NIPPLE, 3/16 tube to 1/8 NPT, (restricted) |                           |         |     | 1   | 1   |         | 1   | 1   |     |         |     |     |     |          |     |     |     |     |     |
| 33        | 77915       | ELBOW, 3/16 tube to 1/8 NPT, (restricted)  |                           |         |     |     |     | 1       |     |     |     |         |     |     |     |          |     |     |     |     |     |
| 34        | 75009       | BRACKET, Fuel manifold                     | 1                         | 1       |     |     | 1   |         |     |     |     | 1       | 1   |     |     |          |     |     |     |     |     |
|           | 77547       | BRACKET, Fuel manifold                     |                           |         | 1   | 1   |     | 1       | 1   | 1   |     | 1       |     |     |     |          |     |     |     | 1   |     |
| 35        | STD-251     | WASHER, No. 10 lock, internal teeth        | 4                         | 4       | 4   | 4   | 4   | 4       | 4   | 4   |     | 4       | 4   |     |     |          |     | 4   |     |     |     |
| 36        | STD-82      | SCREW, No. 10-24 x 1/2 long, rd. hd.       | 4                         | 4       | 4   | 4   | 4   | 4       | 4   | 4   |     | 4       | 4   |     |     |          |     | 4   |     |     |     |
| 37        | STD-160     | WASHER, 1/4 lock, internal teeth           | 1                         | 1       | 1   | 1   | 1   | 1       | 1   | 1   |     | 1       | 1   |     |     |          |     | 1   |     |     |     |
| 38        | LW-25-.50   | BOLT, 1/4-20 x 1/2 long, hex. hd.          | 1                         | 1       | 1   | 1   | 1   | 1       | 1   | 1   |     | 1       | 1   |     |     |          |     | 1   |     |     |     |

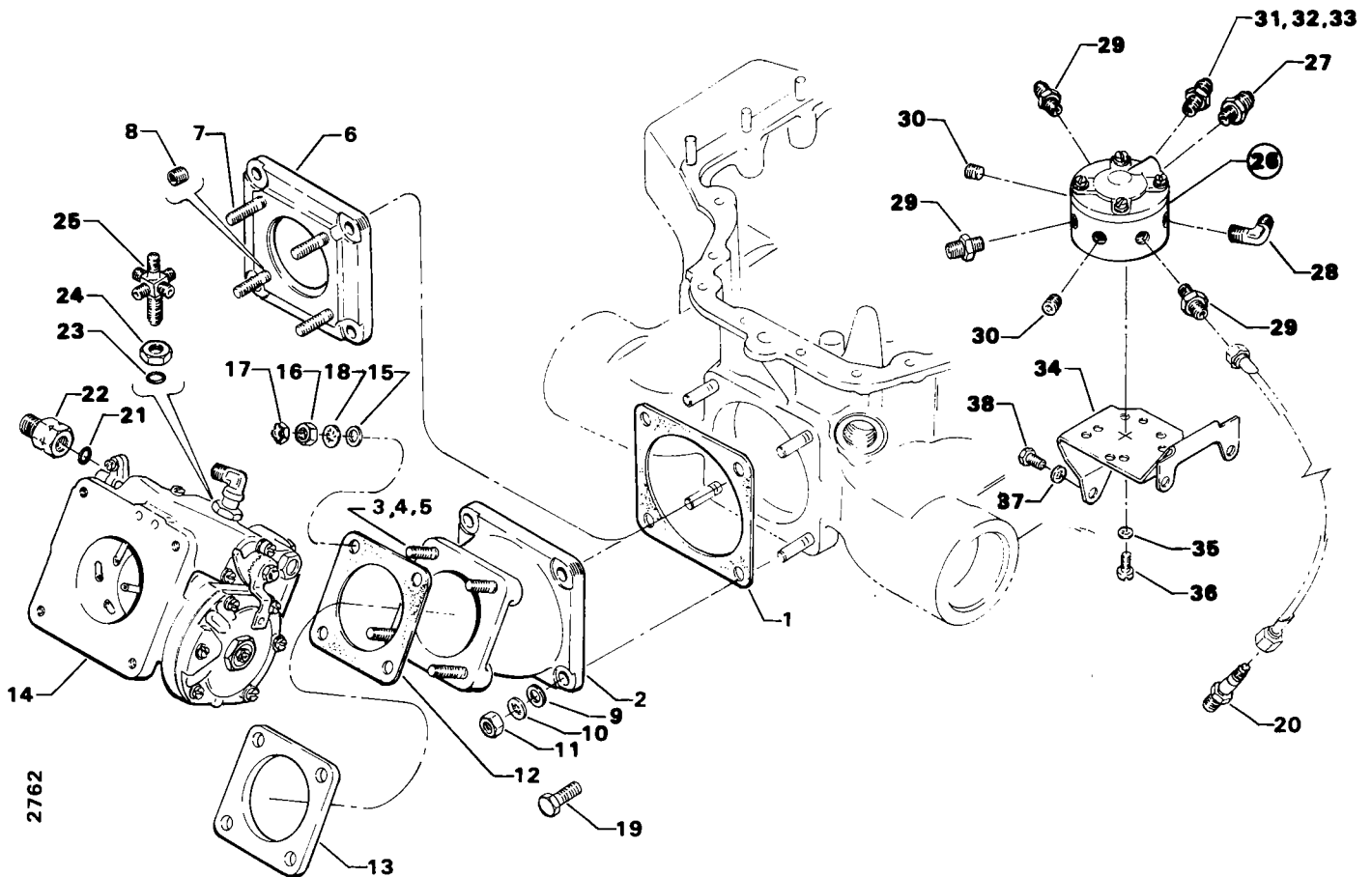


Figure 33. FUEL INJECTORS, FUEL MANIFOLDS AND INJECTION NOZZLES

**Intentionally  
Left  
Blank**



# LYCOMING IO, LIO, HIO, TIO, AEIO-360 SERIES PARTS CATALOG

WIDE CYLINDER FLANGE CRANKCASE MODEL ENGINES

## OIL SUMP AND INDUCTION SYSTEM

### FUEL LINES, FUEL HOSES AND ATTACHING PARTS

| FIG. REF. | PART NUMBER      | DESCRIPTION   | O<br>N |   | QUANTITY PER ASSEMBLY |             |             |                  |                  |                  |             |                       |                  |             |             |             |             |             |                  |                  |                  |             |
|-----------|------------------|---|--------|---|-----------------------|-------------|-------------|------------------|------------------|------------------|-------------|-----------------------|------------------|-------------|-------------|-------------|-------------|-------------|------------------|------------------|------------------|-------------|
|           |                  |   |        |   | LIO-360               |             |             |                  |                  |                  |             |                       |                  | TIO-360     |             |             |             |             |                  |                  |                  |             |
|           |                  |   |        |   | IO-360                |             |             |                  |                  |                  | HIO-360     |                       |                  |             |             |             | AEIO-360    |             |                  |                  |                  |             |
|           |                  |   |        |   | C<br>1<br>A           | C<br>1<br>B | C<br>1<br>C | C<br>1<br>C<br>6 | C<br>1<br>D<br>6 | C<br>1<br>E<br>6 | C<br>1<br>F | J<br>1<br>A<br>6<br>D | C<br>1<br>E<br>6 | A<br>1<br>A | B<br>1<br>A | C<br>1<br>A | C<br>1<br>B | D<br>1<br>A | E<br>1<br>A<br>D | E<br>1<br>B<br>D | F<br>1<br>A<br>D | A<br>1<br>B |
| 35        |                  |   |        |   |                       |             |             |                  |                  |                  |             |                       |                  |             |             |             |             |             |                  |                  |                  |             |
| 1         | LW-12098-0-170   | TUBE ASSY., Fuel manifold                           |        |   |                       |             |             |                  |                  |                  |             |                       |                  |             |             |             |             |             |                  |                  | 4                |             |
|           | LW-12098-0-134   | TUBE ASSY., Fuel manifold to nozzle,<br>cyls. 1 & 3 |        |   |                       |             |             | 2                |                  |                  |             |                       |                  |             |             |             |             |             |                  | 2                |                  |             |
|           | LW-12098-0-200   | TUBE ASSY., Fuel manifold to nozzle,<br>cyls. 2 & 4 |        |   |                       |             |             | 2                |                  |                  |             |                       |                  |             |             |             |             |             |                  | 2                |                  |             |
|           | LW-12098-3-320   | TUBE ASSY., Fuel manifold to nozzle,<br>cyl. 1      |        |   |                       |             |             |                  | 1                |                  |             |                       |                  |             |             |             |             |             |                  |                  |                  |             |
|           | LW-12098-4-390   | TUBE ASSY., Fuel manifold to nozzle,<br>cyl. 2      |        |   |                       |             |             |                  | 1                |                  |             |                       |                  |             |             |             |             |             |                  |                  |                  |             |
|           | LW-12098-2-256   | TUBE ASSY., Fuel manifold to nozzle,<br>cyl. 3      |        |   |                       |             |             |                  | 1                |                  |             |                       |                  |             |             |             |             |             |                  |                  |                  |             |
|           | LW-12098-3-334   | TUBE ASSY., Fuel manifold to nozzle,<br>cyl. 4      |        |   |                       |             |             |                  | 1                |                  |             |                       |                  |             |             |             |             |             |                  |                  |                  |             |
|           | LW-12098-0-140   | TUBE ASSY., Fuel manifold to nozzle,<br>cyls. 1 & 3 | 2      | 2 |                       | 2           |             |                  |                  |                  | 2           | 2                     |                  |             |             |             |             |             |                  |                  |                  |             |
|           | LW-12098-0-200   | TUBE ASSY., Fuel manifold to nozzle,<br>cyls. 2 & 4 | 2      | 2 |                       | 2           |             |                  |                  |                  | 2           | 2                     |                  |             |             |             |             |             |                  |                  |                  |             |
|           | LW-12098-4-310   | TUBE ASSY., Fuel manifold to nozzle,<br>cyl. 1      |        |   |                       |             |             |                  | 1                |                  |             |                       |                  |             |             |             |             |             |                  |                  |                  |             |
|           | LW-12098-4-350   | TUBE ASSY., Fuel manifold to nozzle,<br>cyl. 2      |        |   |                       |             |             |                  | 1                |                  |             |                       |                  |             |             |             |             |             |                  |                  |                  |             |
|           | LW-12098-3-240   | TUBE ASSY., Fuel manifold to nozzle,<br>cyl. 3      |        |   |                       |             |             |                  | 1                |                  |             |                       |                  |             |             |             |             |             |                  |                  |                  |             |
|           | LW-12098-3-310   | TUBE ASSY., Fuel manifold to nozzle,<br>cyl. 4      |        |   |                       |             |             |                  | 1                |                  |             |                       |                  |             |             |             |             |             |                  |                  |                  |             |
|           | LW-12098-4-350   | TUBE ASSY., Fuel manifold to nozzle,<br>cyl. 1      |        |   |                       |             |             |                  |                  |                  |             |                       | 1                |             |             |             |             |             |                  |                  |                  |             |
|           | LW-12098-4-412   | TUBE ASSY., Fuel manifold to nozzle,<br>cyl. 2      |        |   |                       |             |             |                  |                  |                  |             |                       | 1                |             |             |             |             |             |                  |                  |                  |             |
|           | LW-12098-2-296   | TUBE ASSY., Fuel manifold to nozzle,<br>cyl. 3      |        |   |                       |             |             |                  |                  |                  |             |                       | 1                |             |             |             |             |             |                  |                  |                  |             |
|           | LW-12098-4-390   | TUBE ASSY., Fuel manifold to nozzle,<br>cyl. 4      |        |   |                       |             |             |                  |                  |                  |             |                       | 1                |             |             |             |             |             |                  |                  |                  |             |
|           | LW-12098-0-140   | TUBE ASSY., Fuel manifold to nozzle,<br>cyls. 2 & 4 |        |   | 2                     | 2           |             |                  |                  |                  | 2           |                       |                  |             |             |             |             | 2           |                  |                  |                  |             |
|           | LW-12098-0-200   | TUBE ASSY., Fuel manifold to nozzle,<br>cyls. 1 & 3 |        |   | 2                     | 2           |             |                  |                  |                  | 2           |                       |                  |             |             |             |             | 2           |                  |                  |                  |             |
|           | 2 AN924-4        | NUT, Flared tube bulkhead                           |        |   |                       |             |             |                  |                  | 1                | 1           |                       |                  |             |             |             |             |             |                  |                  |                  |             |
|           | 3 76868          | BRACKET, Support clamp                              |        |   |                       |             |             |                  |                  | 1                | 1           |                       |                  |             |             |             |             |             |                  |                  |                  |             |
|           | 4 73136          | BRACKET, Extension, 90° angle                       | 2      | 2 | 1                     | 1           | 2           | 2                |                  |                  | 2           | 2                     | 2                |             |             |             |             | 2           | 2                |                  |                  |             |
|           | 5 73966          | SPACER, 1/2 O.D. x 9/32 I.D. x 17/32<br>long        |        |   |                       |             |             |                  |                  |                  |             |                       |                  |             | 6           |             |             |             |                  |                  |                  |             |
|           | 6 LW-16266-10-75 | CLAMP   | 4      | 4 | 4                     | 4           | 4           | 4                |                  |                  | 4           | 4                     |                  |             |             |             |             | 4           | 4                | 8                |                  |             |
|           | LW-16266-10-13   | CLAMP   | 6      | 6 | 6                     | 6           | 6           | 6                |                  |                  | 6           | 6                     |                  |             |             |             |             | 6           | 6                | 8                |                  |             |
|           | LW-16266-25-25   | CLAMP   |        |   |                       |             |             |                  |                  | 10               | 10          |                       |                  | 11          |             |             |             |             |                  |                  |                  |             |

# LYCOMING 10, L10, H10, T10, AE10-360 SERIES PARTS CATALOG

## WIDE CYLINDER FLANGE CRANKCASE MODEL ENGINES

### OIL SUMP AND INDUCTION SYSTEM

#### FUEL LINES, FUEL HOSES AND ATTACHING PARTS (Cont.)

| FIG. REF. | PART NUMBER | DESCRIPTION  | QUANTITY PER ASSEMBLY |     |     |     |     |     |     |         |     |     |         |     |     |     |          |     |     |     |     |     |
|-----------|-------------|--------------|-----------------------|-----|-----|-----|-----|-----|-----|---------|-----|-----|---------|-----|-----|-----|----------|-----|-----|-----|-----|-----|
|           |             |              | L10-360               |     |     |     |     |     |     |         |     |     | T10-360 |     |     |     |          |     |     |     |     |     |
|           |             |              | I0-360                |     |     |     |     |     |     | H10-360 |     |     |         |     |     |     | AE10-360 |     |     |     |     |     |
|           |             |              | C1A                   | C1B | C1C | C1D | C1E | C1F | J1A | C1E     | A1A | B1A | C1A     | C1B | D1A | E1A | E1B      | F1A | A1B | A1E | B1G | H1A |
| 35        |             |              |                       |     |     |     |     |     |     |         |     |     |         |     |     |     |          |     |     |     |     |     |
|           | 7           | 73843        |                       |     |     |     |     |     |     |         |     |     |         |     |     |     |          |     |     |     |     |     |
|           | 8           | 73152        |                       |     |     |     |     |     |     |         |     |     |         |     |     |     |          |     |     |     |     |     |
|           | 9           | 73136        |                       |     |     |     |     |     |     |         |     |     |         |     |     |     |          |     |     |     |     |     |
|           | 10          | STD-860      |                       |     |     |     |     |     |     |         |     |     |         |     |     |     |          |     |     |     |     |     |
|           | 11          | STD-692      |                       |     |     |     |     |     |     |         |     |     |         |     |     |     |          |     |     |     |     |     |
|           | 12          | STD-670      |                       |     |     |     |     |     |     |         |     |     |         |     |     |     |          |     |     |     |     |     |
|           | 13          | 74070        |                       |     |     |     |     |     |     |         |     |     |         |     |     |     |          |     |     |     |     |     |
|           | 14          | STD-921      |                       |     |     |     |     |     |     |         |     |     |         |     |     |     |          |     |     |     |     |     |
|           | 15          | STD-425      |                       |     |     |     |     |     |     |         |     |     |         |     |     |     |          |     |     |     |     |     |
|           | 16          | LW-16562     |                       |     |     |     |     |     |     |         |     |     |         |     |     |     |          |     |     |     |     |     |
|           |             | thd.         |                       |     |     |     |     |     |     |         |     |     |         |     |     |     |          |     |     |     |     |     |
|           | 17          | LW-25-0.75   |                       |     |     |     |     |     |     |         |     |     |         |     |     |     |          |     |     |     |     |     |
|           | 18          | STD-8        |                       |     |     |     |     |     |     |         |     |     |         |     |     |     |          |     |     |     |     |     |
|           | 19          | STD-160      |                       |     |     |     |     |     |     |         |     |     |         |     |     |     |          |     |     |     |     |     |
|           | 20          | STD-1411     |                       |     |     |     |     |     |     |         |     |     |         |     |     |     |          |     |     |     |     |     |
|           | 21          | STD-1916     |                       |     |     |     |     |     |     |         |     |     |         |     |     |     |          |     |     |     |     |     |
|           |             | self-locking |                       |     |     |     |     |     |     |         |     |     |         |     |     |     |          |     |     |     |     |     |
|           | 22          | 72377        |                       |     |     |     |     |     |     |         |     |     |         |     |     |     |          |     |     |     |     |     |
|           | 23          | AN822-6      |                       |     |     |     |     |     |     |         |     |     |         |     |     |     |          |     |     |     |     |     |
|           |             |              |                       |     |     |     |     |     |     |         |     |     |         |     |     |     |          |     |     |     |     |     |

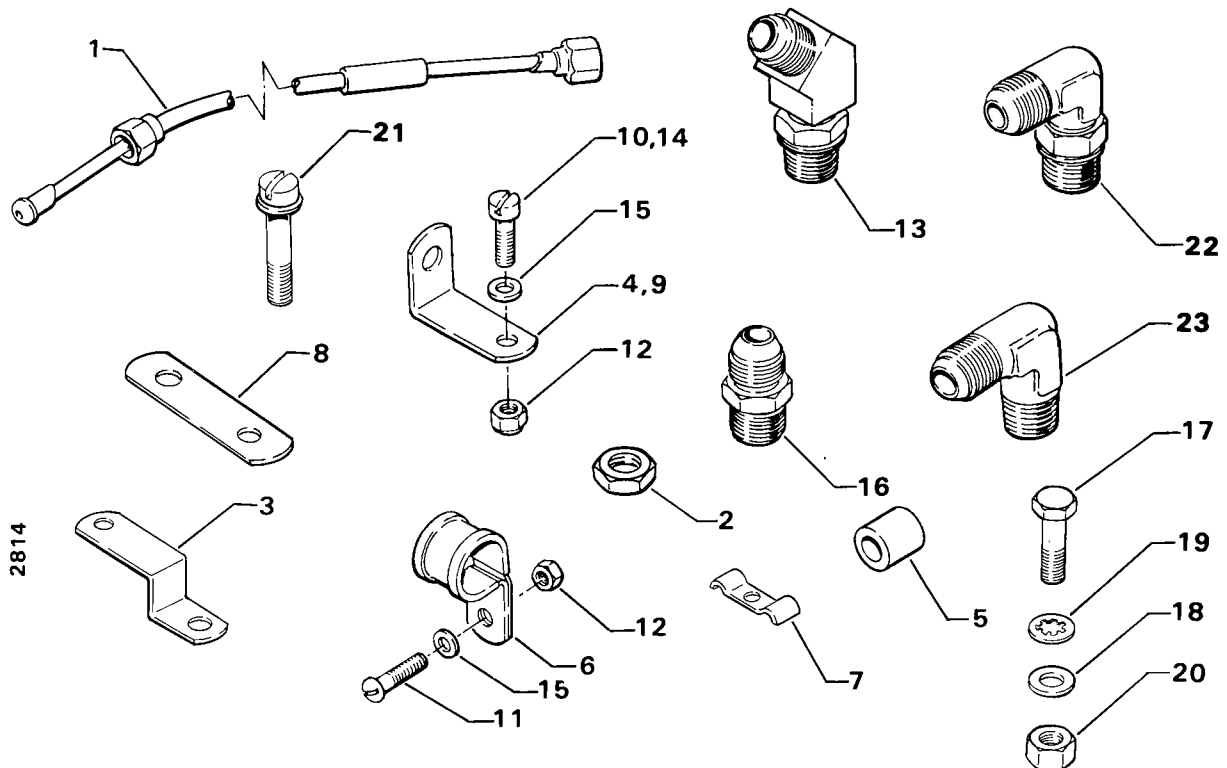


Figure 35. FUEL LINES, FUEL HOSES AND ATTACHING PARTS

# LYCOMING IO, LIO, HIO, TIO, AEIO-360 SERIES PARTS CATALOG

WIDE CYLINDER FLANGE CRANKCASE MODEL ENGINES

## OIL SUMP AND INDUCTION SYSTEM FUEL LINES, FUEL HOSES AND ATTACHING PARTS

| FIG. REF. | PART NUMBER    | DESCRIPTION                                      | QUANTITY PER ASSEMBLY |     |     |     |         |     |     |     |          |     |     |     |     |     |     |     |     |     |     |     |
|-----------|----------------|--|-----------------------|-----|-----|-----|---------|-----|-----|-----|----------|-----|-----|-----|-----|-----|-----|-----|-----|-----|-----|-----|
|           |                |  | LIO-360               |     |     |     |         |     |     |     | TIO-360  |     |     |     |     |     |     |     |     |     |     |     |
|           |                |  | IO-360                |     |     |     | HIO-360 |     |     |     | AEIO-360 |     |     |     |     |     |     |     |     |     |     |     |
|           |                |  | C1A                   | C1B | C1C | C1D | C1E     | C1F | J1A | J1D | C1E      | A1A | B1A | C1A | C1B | D1A | E1A | E1D | F1A | A1B | A1E | B1G |
| 1         | LW-13183-6S161 | HOSE ASSY., Ful pump to injector                 |                       |     |     |     |         |     |     |     |          |     |     |     |     |     |     |     |     |     |     | 1   |
|           | LW-13181-6-254 | HOSE, Fuel pump to injector                      |                       |     |     |     |         | 2   |     |     |          |     |     |     |     |     |     |     | 2   |     |     |     |
|           | LW-13181-6-112 | HOSE ASSY., Fuel pump to injector                | 1                     | 1   |     |     | 1       |     |     |     | 1        | 1   | 1   | 1   |     |     |     |     |     |     |     |     |
|           | LW-12879-6S120 | HOSE ASSY., Fuel pump to injector                |                       |     | 1   | 1   |         | 1   | 1   | 1   |          |     |     |     |     |     |     |     |     |     |     |     |
|           | LW-13185-6-114 | HOSE ASSY., Fuel pump to injector                |                       |     |     |     |         |     |     |     | 1        |     |     |     |     |     |     |     |     |     |     |     |
|           | LW-12799-6S144 | HOSE ASSY., Fuel pump to injector                |                       |     |     |     |         |     |     |     |          |     |     |     |     |     |     |     |     |     | 1   |     |
| 2         | 78126          | TUBE ASSY., Fuel pump to injector                |                       |     |     |     |         |     |     |     |          |     |     |     | 1   |     |     |     |     |     |     |     |
|           | 77926          | TUBE ASSY., Fuel pump to injector                |                       |     |     |     |         |     |     |     |          |     |     |     |     |     |     | 1   |     |     |     |     |
| 3         | 72377          | ELBOW, 3/8 tubing, adjustable, 90°               |                       |     |     |     |         |     |     |     |          | 1   |     |     |     |     |     |     |     |     | 2   | 1   |
| 4         | 75686          | ELBOW, 5/16 tubing, adjustable, 90°              |                       |     |     |     |         |     |     |     |          |     |     |     |     |     |     |     |     |     |     | 1   |
| 5         | LW-16562       | NIPPLE, 3/8 fl. tube to 5/16-18 st.<br>thd.      |                       |     |     |     |         |     |     |     | 1        | 1   |     |     |     |     |     |     |     |     |     |     |
| 6         | 72815          | BRACKET, Support clamp, 90° twist                | 1                     | 1   | 1   | 1   | 1       | 1   | 1   | 1   | 1        |     |     | 1   | 1   |     |     |     | 1   |     |     |     |
| 7         | LW-16266-25-63 | CLAMP  |                       |     |     |     |         |     |     | 1   |          |     |     |     |     |     |     |     | 2   | 1   |     |     |
| 8         | LW-16266-25-50 | CLAMP  | 1                     | 1   | 1   | 1   | 1       | 1   | 1   | 1   |          |     | 1   | 1   |     |     |     |     |     |     |     |     |
| 9         | STD-860        | SCREW, No. 10-32 x 5/8 long, fill. hd.           | 1                     | 1   | 1   | 1   | 1       | 1   | 1   | 1   | 1        |     |     | 1   | 1   |     |     |     | 1   | 1   |     |     |
| 10        | STD-425        | WASHER, No. 10 plain                             | 1                     | 1   | 1   | 1   | 1       | 1   | 1   | 1   | 1        |     |     | 1   | 1   |     |     |     | 1   | 1   |     |     |
| 11        | STD-670        | NUT, No. 10-32 self-locking                      | 1                     | 1   | 1   | 1   | 1       | 1   | 1   | 1   | 1        |     |     | 1   | 1   |     |     |     | 1   | 1   |     |     |
| 12        | AN837-4        | ELBOW, 1/4 flared tube (bulkhead), 45°           |                       |     |     |     |         |     |     |     |          |     |     |     |     |     |     |     |     |     | 1   | 1   |
| 13        | AN924-4        | NUT, Flared tube (bulkhead)                      |                       |     |     |     |         |     |     |     |          |     |     |     |     |     |     |     |     |     | 1   | 1   |
| 14        | LW-13175-4-102 | HOSE ASSY., Fuel inj. to fuel manifold,<br>upper |                       |     |     |     |         |     |     |     |          |     |     |     |     |     |     |     |     |     |     | 1   |
|           | LW-13175-4-172 | HOSE, Fuel inj. to fuel manifold                 |                       |     |     |     |         |     |     | 1   |          |     |     |     |     |     |     |     | 1   |     |     |     |
|           | LW-13175-4-343 | HOSE ASSY., Fuel inj. to fuel manifold           | 1                     | 1   |     |     | 1       |     |     |     |          |     |     | 1   | 1   |     |     |     |     |     |     |     |
|           | LW-12798-4-340 | HOSE ASSY., Fuel inj. to fuel manifold           |                       |     |     |     |         |     |     |     |          |     |     |     |     |     |     |     | 1   |     |     |     |
|           | LW-13175-4-340 | HOSE ASSY., Fuel inj. to fuel manifold           |                       |     | 1   | 1   |         |     | 1   |     |          |     |     |     |     |     |     |     |     |     |     |     |
|           | LW-13175-4-352 | HOSE ASSY., Fuel inj. to fuel manifold           |                       |     |     |     |         |     | 1   |     | 1        |     |     |     |     |     |     |     |     |     |     |     |
|           | LW-13192-4S334 | HOSE ASSY., Fuel inj. to fuel manifold,<br>lower |                       |     |     |     |         |     |     |     |          |     |     |     |     |     |     |     |     |     |     | 1   |

2815

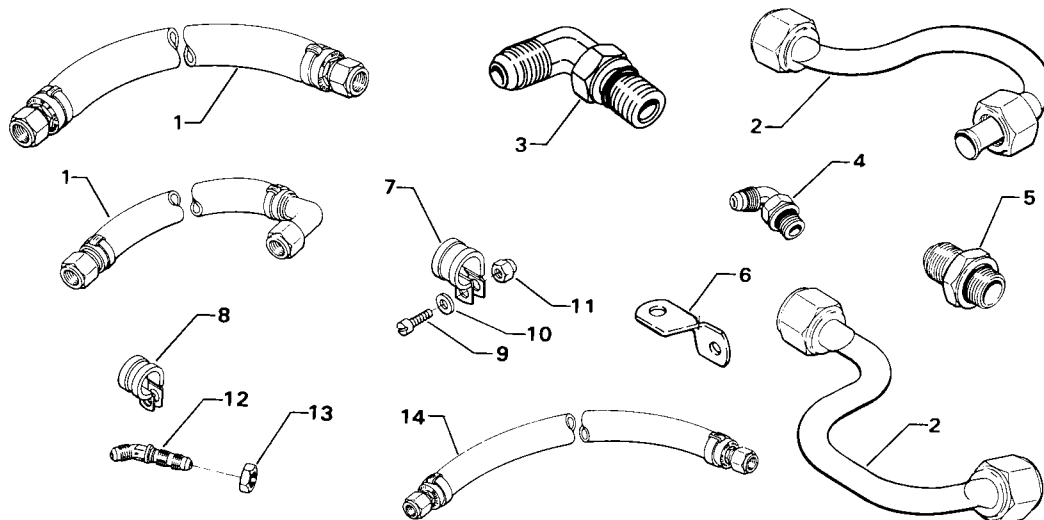


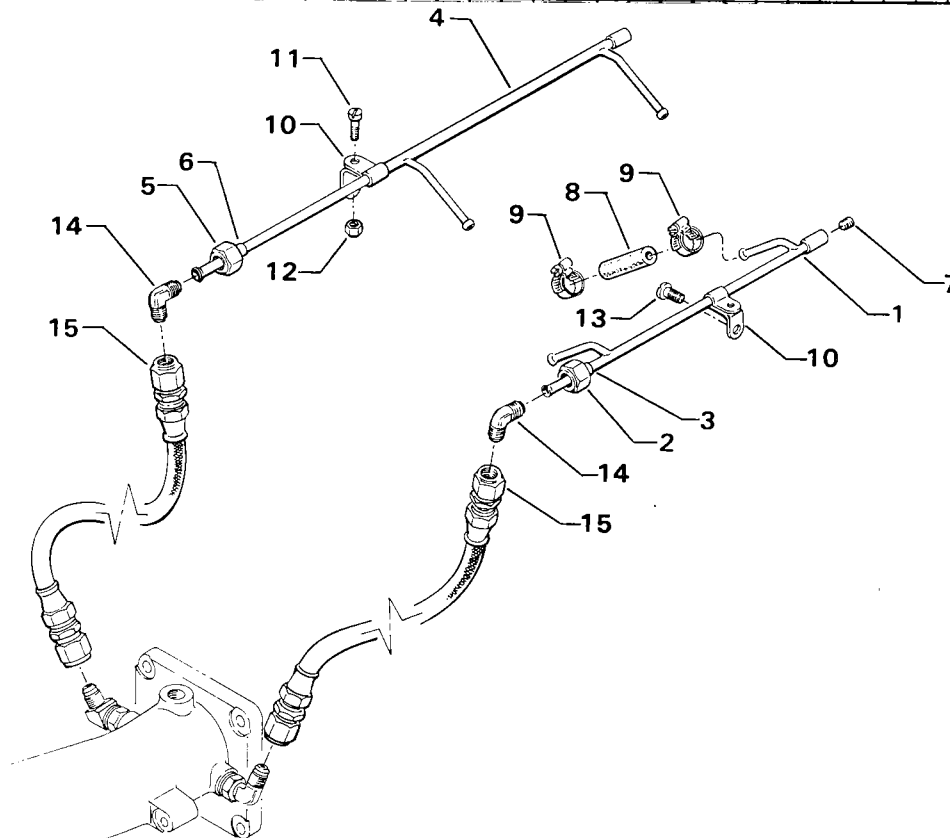
Figure 36. FUEL LINES, FUEL HOSES AND ATTACHING PARTS

# LYCOMING IO, LIO, HIO, TIO, AEIO-360 SERIES PARTS CATALOG

WIDE CYLINDER FLANGE CRANKCASE MODEL ENGINES

## OIL SUMP AND INDUCTION SYSTEM INJECTOR NOZZLE VENT AND ATTACHING PARTS

| FIG. REF. | PART NUMBER    | DESCRIPTION                                      | QUANTITY PER ASSEMBLY     |             |             |             |                  |                  |                  |             |                       |                  |             |             |             |             |             |                  |                  |                  |             |             |                  |
|-----------|----------------|--|---------------------------|-------------|-------------|-------------|------------------|------------------|------------------|-------------|-----------------------|------------------|-------------|-------------|-------------|-------------|-------------|------------------|------------------|------------------|-------------|-------------|------------------|
|           |                |  | O<br>N<br><br>A<br>L<br>L | LIO-360     |             |             |                  |                  |                  |             |                       |                  |             | TIO-360     |             |             |             |                  |                  |                  |             |             |                  |
|           |                |  |                           | IO-360      |             |             |                  |                  |                  | HIO-360     |                       |                  |             | AEIO-360    |             |             |             |                  |                  |                  |             |             |                  |
|           |                |  |                           | C<br>1<br>A | C<br>1<br>B | C<br>1<br>C | C<br>1<br>C<br>6 | C<br>1<br>D<br>6 | C<br>1<br>E<br>6 | C<br>1<br>F | J<br>1<br>A<br>6<br>D | C<br>1<br>E<br>6 | A<br>1<br>A | B<br>1<br>A | C<br>1<br>A | C<br>1<br>B | D<br>1<br>A | E<br>1<br>A<br>D | E<br>1<br>B<br>D | F<br>1<br>A<br>D | A<br>1<br>B | A<br>1<br>E | B<br>1<br>G<br>6 |
| 37        |                |  |                           |             |             |             |                  |                  |                  |             |                       |                  |             |             |             |             |             |                  |                  |                  |             |             |                  |
| 1         | 77578          | MANIFOLD, Right, injector nozzle vent            |                           |             |             |             |                  |                  |                  |             |                       |                  |             |             |             |             |             |                  | 1                |                  |             |             |                  |
| 2         | AN818-4C       | NUT, 1/4 flared tube coupling                    |                           |             |             |             |                  |                  |                  |             |                       |                  |             |             |             |             |             |                  | 1                |                  |             |             |                  |
| 3         | AN819-4C       | SLEEVE, 1/4 flared tube coupling                 |                           |             |             |             |                  |                  |                  |             |                       |                  |             |             |             |             |             |                  | 1                |                  |             |             |                  |
| 4         | 77575          | MANIFOLD, Left, injector nozzle vent             |                           |             |             |             |                  |                  |                  |             |                       |                  |             |             |             |             |             |                  | 1                |                  |             |             |                  |
| 5         | AN818-4C       | NUT, 1/4 flared tube coupling                    |                           |             |             |             |                  |                  |                  |             |                       |                  |             |             |             |             |             |                  | 1                |                  |             |             |                  |
| 6         | AN819-4C       | SLEEVE, 1/4 flared tube coupling                 |                           |             |             |             |                  |                  |                  |             |                       |                  |             |             |             |             |             |                  | 1                |                  |             |             |                  |
| 7         | STD-1339       | PLUG, 1/16-27 NPT, Allen                         |                           |             |             |             |                  |                  |                  |             |                       |                  |             |             |             |             |             |                  | 2                |                  |             |             |                  |
| 8         | 76772          | HOSE, 3/16 I.D. x 7/16 O.D. x 1-7/8 long         |                           |             |             |             |                  |                  |                  |             |                       |                  |             |             |             |             |             |                  | 4                |                  |             |             |                  |
| 9         | LW-15592-5-04  | CLAMP, 7/16 O.D. hose                            |                           |             |             |             |                  |                  |                  |             |                       |                  |             |             |             |             |             |                  | 8                |                  |             |             |                  |
| 10        | 78025          | BRACKET, Nozzle vent manifold                    |                           |             |             |             |                  |                  |                  |             |                       |                  |             |             |             |             |             |                  | 2                |                  |             |             |                  |
| 11        | STD-860        | SCREW, No. 10-32 x 5/8 long, fill. hd.           |                           |             |             |             |                  |                  |                  |             |                       |                  |             |             |             |             |             |                  | 2                |                  |             |             |                  |
| 12        | STD-670        | NUT, No. 10-32 self-locking                      |                           |             |             |             |                  |                  |                  |             |                       |                  |             |             |             |             |             |                  | 2                |                  |             |             |                  |
| 13        | STD-1925       | SCREW, 1/4-20 x 5/8 long, pan hd., self-locking  |                           |             |             |             |                  |                  |                  |             |                       |                  |             |             |             |             |             |                  | 2                |                  |             |             |                  |
| 14        | AN821-4        | ELBOW, 1/4 flared tube coupling, 90°             |                           |             |             |             |                  |                  |                  |             |                       |                  |             |             |             |             |             |                  | 2                |                  |             |             |                  |
| 15        | LW-12784-4-260 | HOSE ASSY., (Left manifold injector nozzle vent) |                           |             |             |             |                  |                  |                  |             |                       |                  |             |             |             |             |             |                  | 2                |                  |             |             |                  |

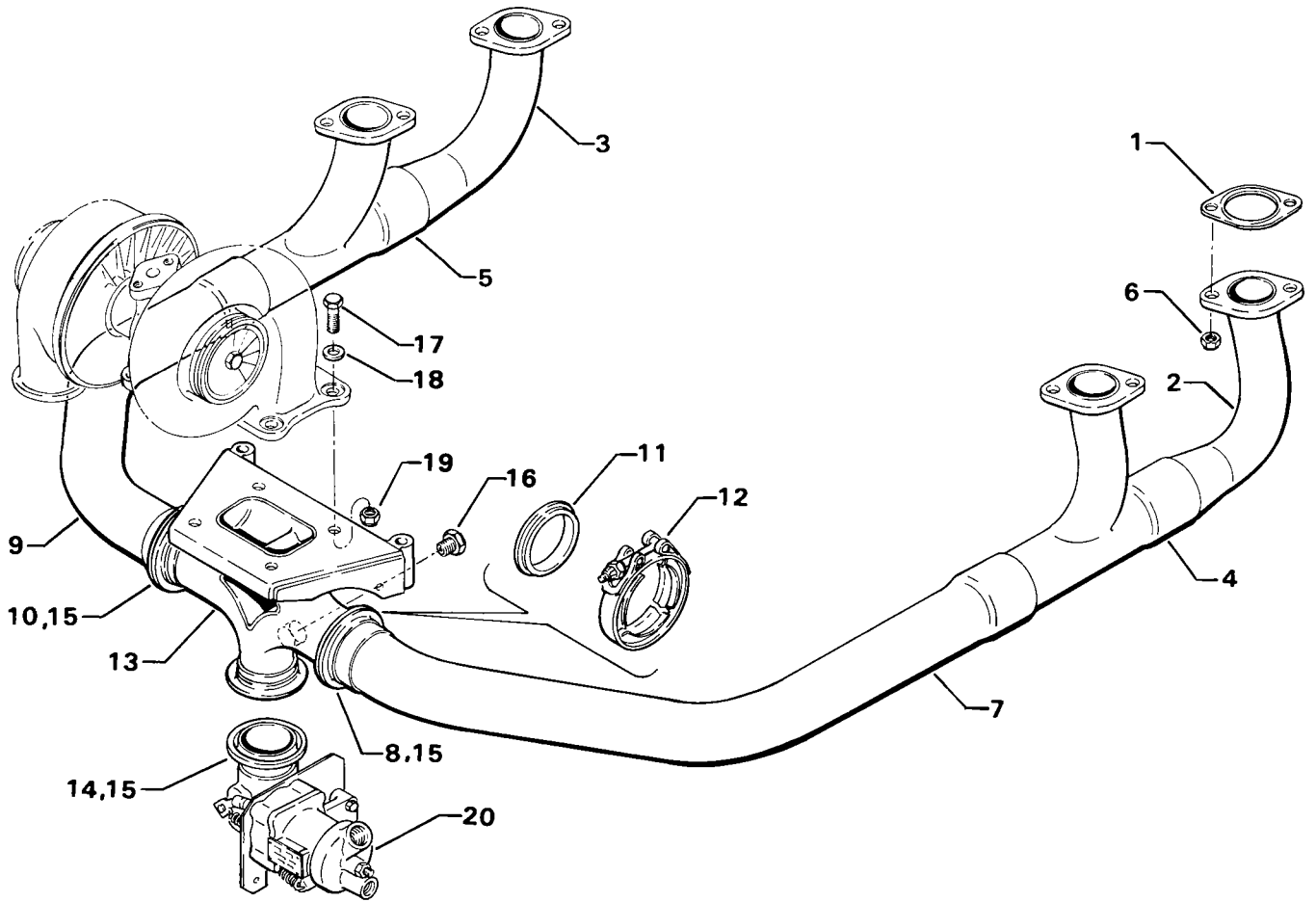


2817

**Figure 37. INJECTOR NOZZLE VENT AND ATTACHING PARTS**



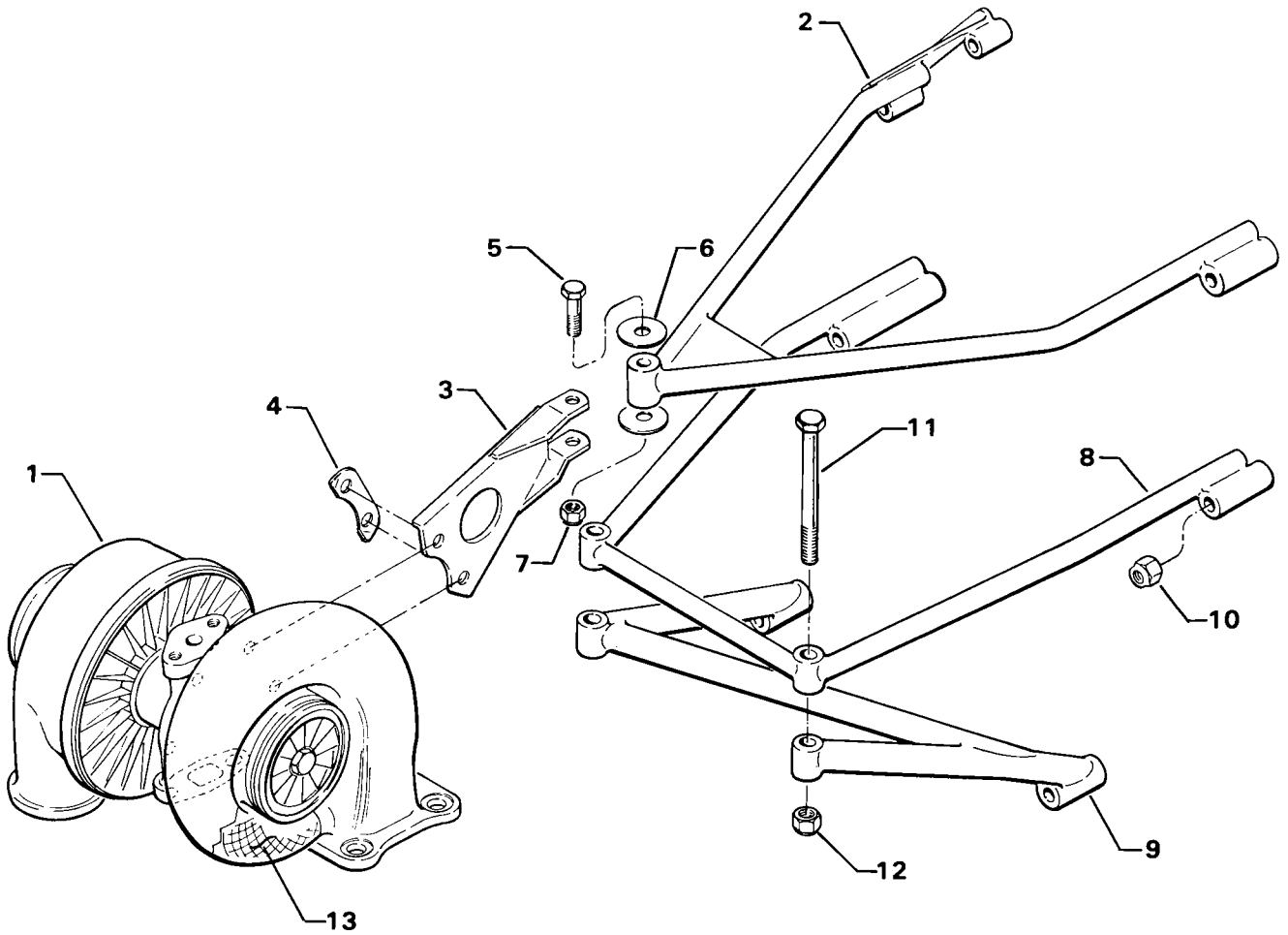




2801

Figure 38. EXHAUST MANIFOLD AND TRANSITION ASSEMBLY

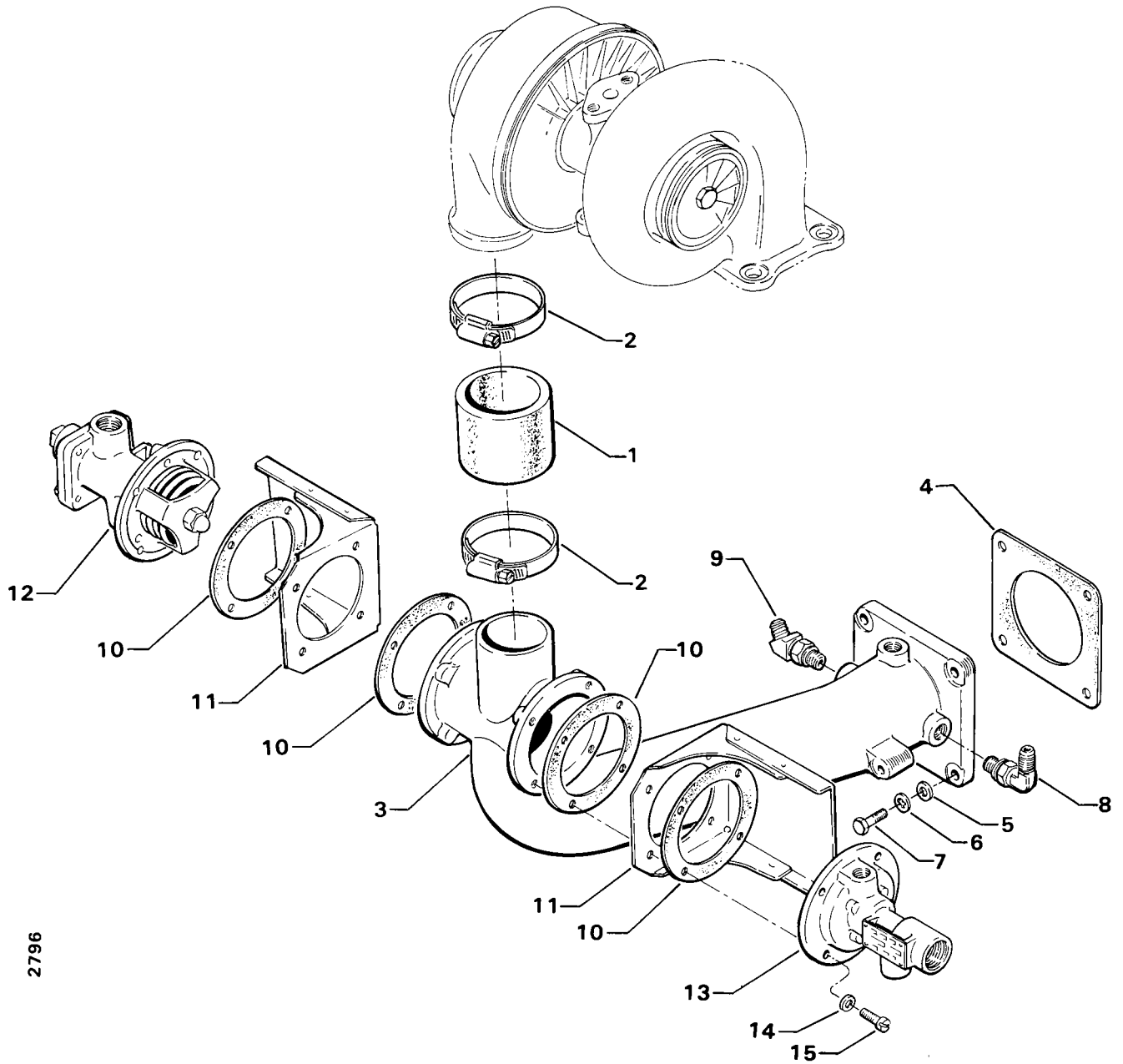




2795

Figure 39. TURBOCHARGER AND ATTACHING PARTS

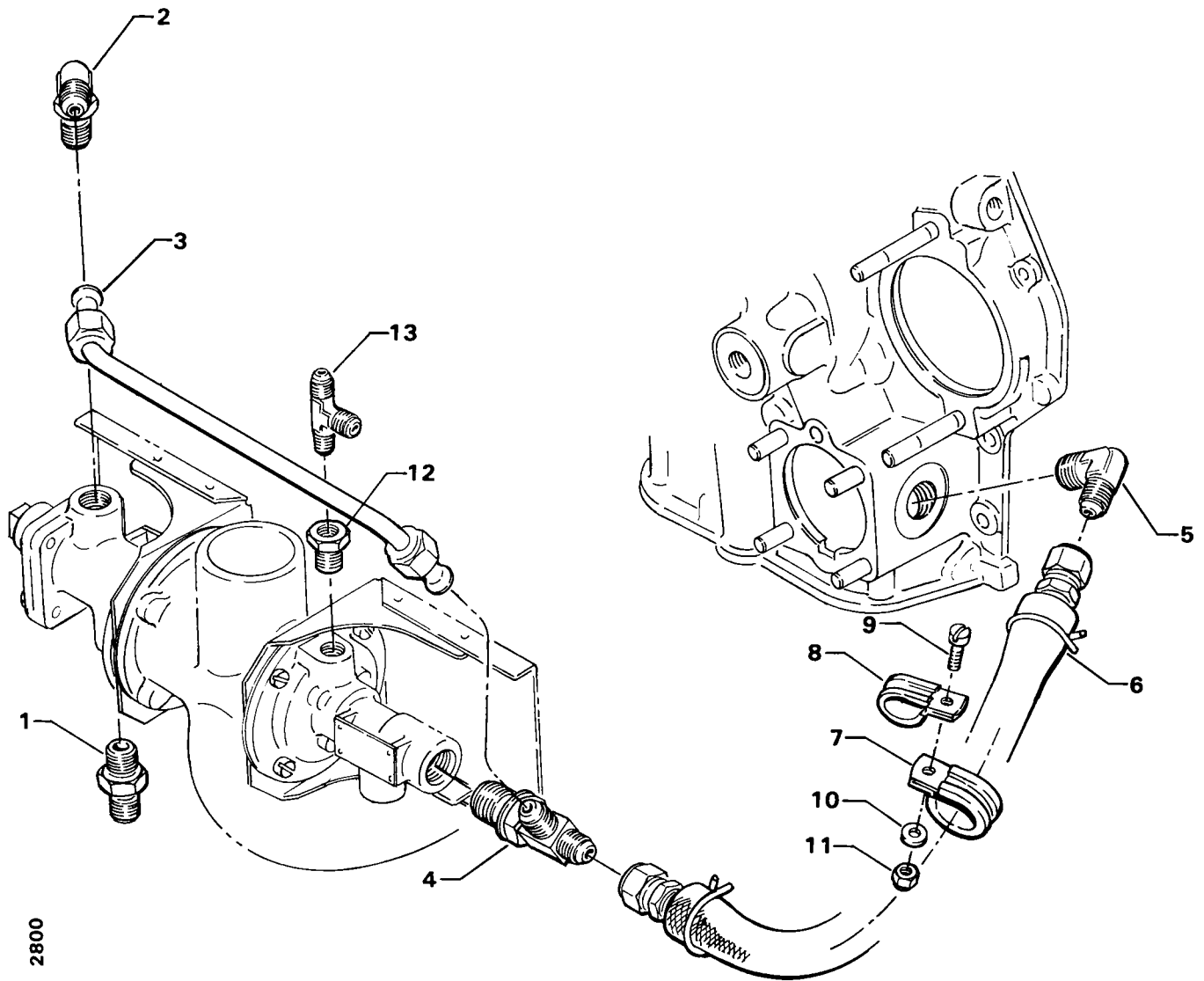




2796

Figure 40. TURBOCHARGER ATTACHING PARTS



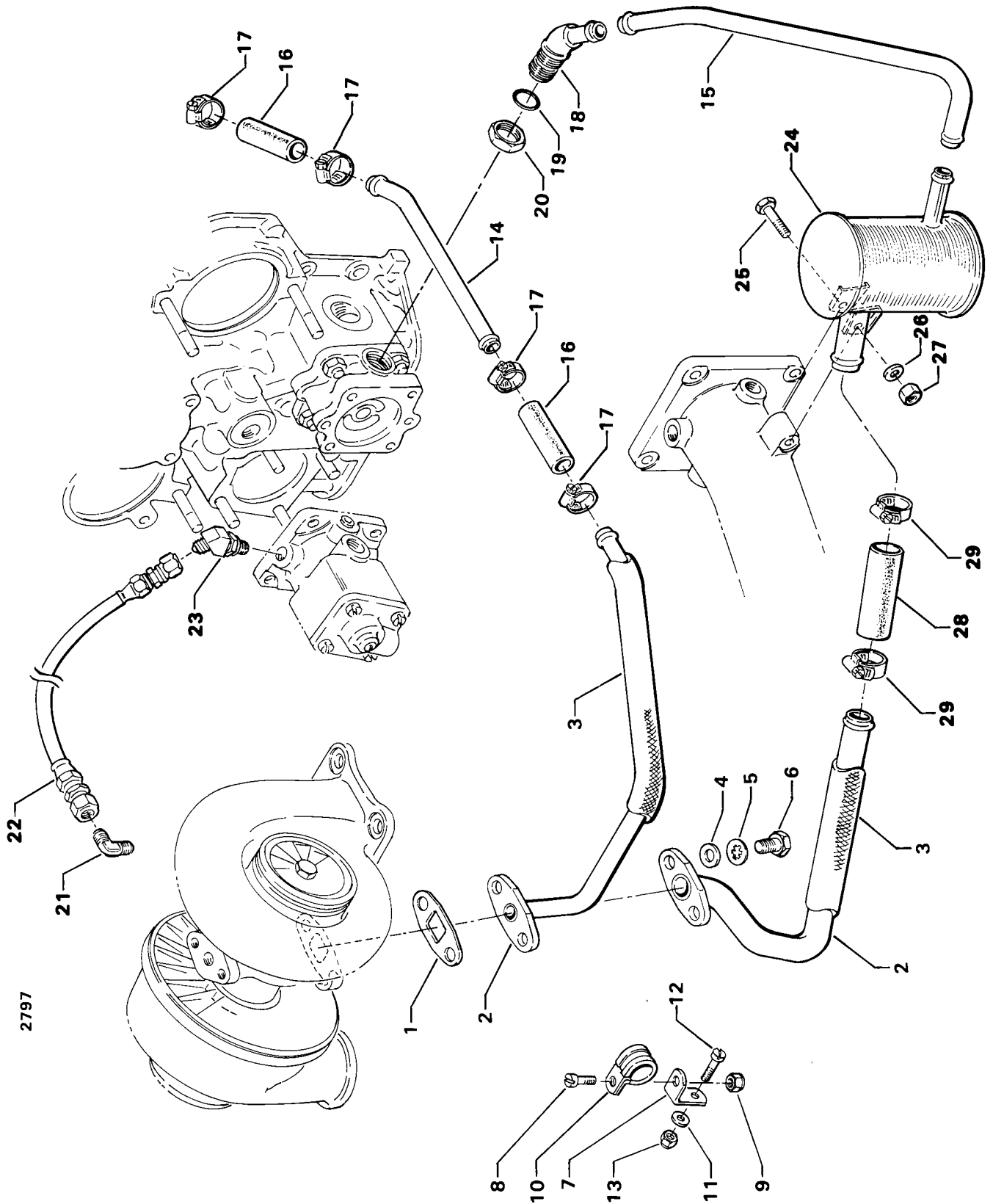


2800

Figure 41. TURBOCHARGER ATTACHING PARTS



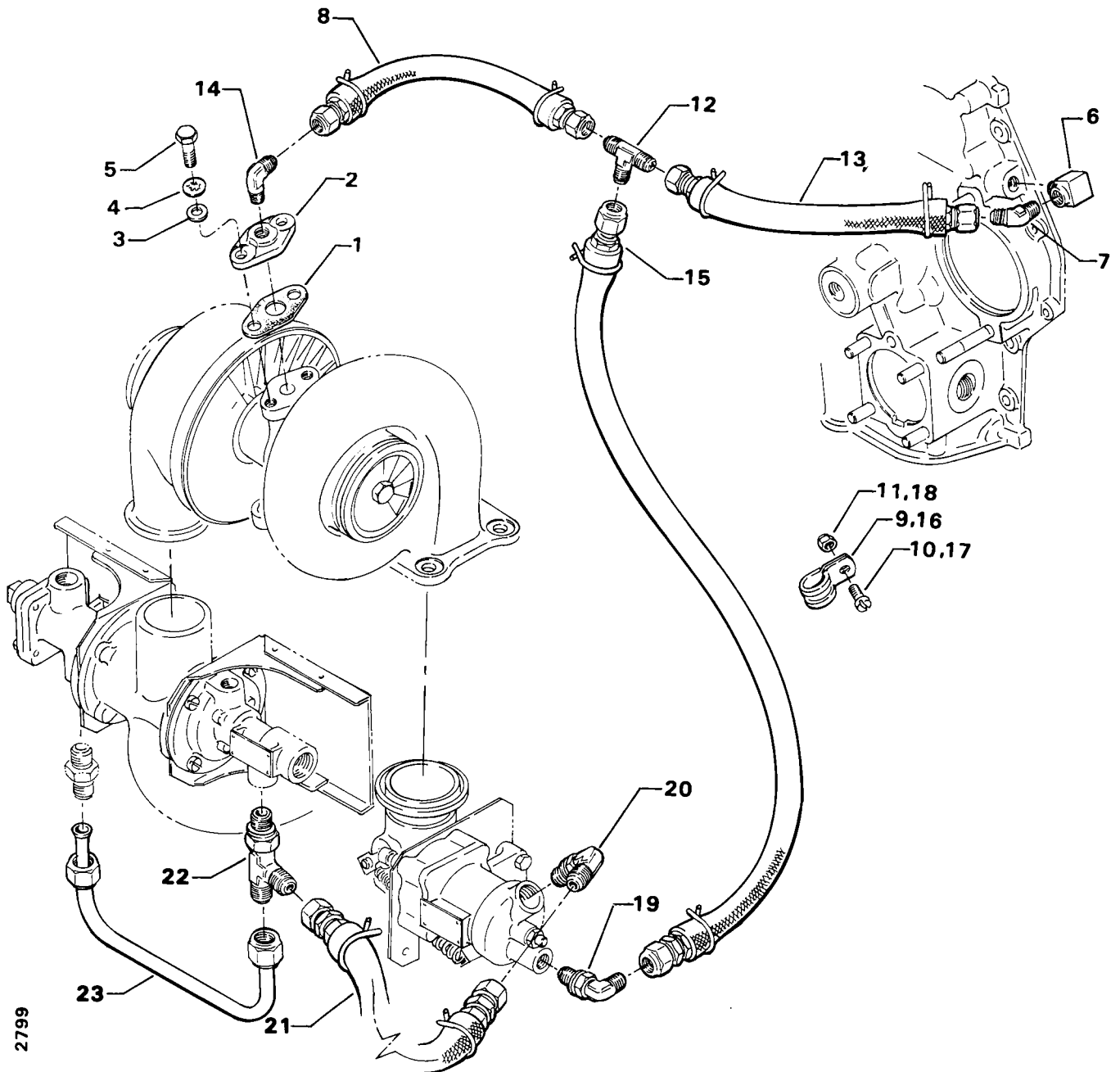




2797

Figure 42. TURBOCHARGER ATTACHING PARTS





2799

Figure 43. TURBOCHARGER ATTACHING PARTS

**LYCOMING 10, L10, H10, T10, AE10-360 SERIES PARTS CATALOG**  
**WIDE CYLINDER FLANGE CRANKCASE MODEL ENGINES**

**SECTION 8**  
**SERVICE KIT SECTION**

**CYLINDER, PISTON AND RING ASSY. KIT**  
**H10-360-E1AD, -E1BD, -F1AD**

| Part No.                | Part Name                             | Qty. |
|-------------------------|---------------------------------------|------|
| LW-14458                | CYLINDER, PISTON AND RING ASSY.       | 1    |
| STD-160                 | WASHER                                | 4    |
| STD-1411                | NUT                                   | 4    |
| STD-1925                | SCREW                                 | 8    |
| MS13997-3               | KEY, Exhaust                          | 2    |
| MS13998-3               | CAP, Valve stem, exhaust              | 1    |
| 72050                   | KEY, Valve intake                     | 2    |
| LW-18661                | SEAL, Shroud tube                     | 4    |
| 66731                   | COVER, Valve rocker shaft             | 2    |
| 66732                   | GASKET, Valve rocker shaft cover      | 2    |
| 67193                   | GASKET, Rocker box cover              | 1    |
| LW-13321                | SEAT, Valve spring, lower, intake     | 1    |
| 68795                   | COVER ASSY., Rocker box               | 1    |
| LW-13446 or<br>LW-14077 | PIN, Piston                           | 1    |
| 71195                   | BOX, Set-up                           | 1    |
| 71265                   | ROCKER ASSY., Exhaust valve           | 1    |
| 71266                   | ROCKER ASSY., Intake valve            | 1    |
| 71481                   | SEAL, Cylinder base                   | 1    |
| 71549                   | WASHER, Valve rocker thrust           | 2    |
| 72626                   | SHAFT, Valve rocker                   | 2    |
| LW-16740                | VALVE, Exhaust (nimonic)              | 1    |
| LW-13322                | SEAT, Valve spring, lower             | 1    |
| LW-13622                | VALVE, Intake                         | 1    |
| 73857                   | RING, Piston, oil regulating (chrome) | 1    |
| 74241                   | RING, Piston compression (chrome)     | 2    |
| LW-16475                | SEAT, Valve spring, upper exhaust     | 1    |
| 69532                   | SEAT, Valve spring, upper intake      | 1    |
| LW-13358-S              | PISTON                                | 1    |
| LW-11796                | SPRING, Valve outer                   | 2    |
| LW-11797                | SPRING, Valve inner                   | 2    |
| LW-12988                | CYLINDER ASSY., Nitrided (long reach) | 1    |
| LW-11775                | PLUG, Piston pin                      | 2    |
| 62388                   | CAP                                   | 1    |

**LYCOMING 10, L10, H10, T10, AE10-360 SERIES PARTS CATALOG**  
**WIDE CYLINDER FLANGE CRANKCASE MODEL ENGINES**

**SECTION 8**  
**SERVICE KIT SECTION**

**CYLINDER, PISTON AND RING ASSY. KIT**  
**H10-360-E1AD, -E1BD, -F1AD**

| Part No.                | Part Name                             | Qty. |
|-------------------------|---------------------------------------|------|
| LW-15477                | CYLINDER, PISTON AND RING ASSY.       | 1    |
| STD-160                 | WASHER                                | 4    |
| STD-1411                | NUT                                   | 4    |
| STD-1925                | SCREW                                 | 8    |
| MS13997-3               | KEY, Exhaust                          | 2    |
| MS13998-3               | CAP, Valve stem, exhaust              | 1    |
| 72050                   | KEY, Valve intake                     | 2    |
| LW-18661                | SEAL, Shroud tube                     | 4    |
| 66731                   | COVER, Valve rocker shaft             | 2    |
| 66732                   | GASKET, Valve rocker shaft cover      | 2    |
| 67193                   | GASKET, Rocker box cover              | 1    |
| LW-13321                | SEAT, Valve spring, lower intake      | 1    |
| 68795                   | COVER ASSY., Rocker box               | 1    |
| LW-13446 or<br>LW-14077 | PIN, Piston                           | 1    |
| 71195                   | BOX, Set-up                           | 1    |
| 71265                   | ROCKER ASSY., Exhaust valve           | 1    |
| 71266                   | ROCKER ASSY., Intake valve            | 1    |
| 71481                   | SEAL, Cylinder base                   | 1    |
| 71549                   | WASHER, Valve rocker thrust           | 2    |
| 72626                   | SHAFT, Valve rocker                   | 2    |
| LW-16740                | VALVE, Exhaust (nimonic)              | 1    |
| LW-13322                | SEAT, Valve spring, lower             | 1    |
| LW-13622                | VALVE, Intake                         | 1    |
| 73857                   | RING, Piston, oil regulating (chrome) | 1    |
| 74241                   | RING, Piston compression (chrome)     | 2    |
| LW-16465                | SEAT, Valve spring, upper exhaust     | 1    |
| 69532                   | SEAT, Valve spring, upper intake      | 1    |
| LW-14610-S              | PISTON                                | 1    |
| LW-11796                | SPRING, Valve outer                   | 2    |
| LW-11797                | SPRING, Valve inner                   | 2    |
| LW-12988                | CYLINDER ASSY., Nitrided (long reach) | 1    |
| LW-11775                | PLUG, Piston pin                      | 2    |
| 62388                   | CAP                                   | 1    |

**LYCOMING 10, L10, H10, T10, AE10-360 SERIES PARTS CATALOG**  
**WIDE CYLINDER FLANGE CRANKCASE MODEL ENGINES**

**SECTION 8**  
**SERVICE KIT SECTION**

**CYLINDER, PISTON AND RING ASSY. KIT**  
**H10-360-A, -C SERIES**

| Part No.                | Part Name                             | Qty. |
|-------------------------|---------------------------------------|------|
| LW-19135                | CYLINDER, PISTON AND RING ASSY.       | 1    |
| STD-160                 | WASHER                                | 4    |
| STD-1411                | NUT                                   | 4    |
| STD-1925                | SCREW                                 | 8    |
| MS13997-3               | KEY, Valve, exhaust                   | 2    |
| MS13998-3               | CAP, Valve stem, exhaust              | 1    |
| LW-12949                | VALVE, Intake                         | 1    |
| 69532                   | SEAT, Valve spring, upper             | 1    |
| 72050                   | KEY, Valve                            | 2    |
| 62388                   | CAP, Valve stem                       | 1    |
| 60828                   | PLUG, Piston pin                      | 2    |
| LW-18661                | SEAL, Shroud tube                     | 4    |
| 66731                   | COVER, Valve rocker shaft             | 2    |
| 66732                   | GASKET, Valve rocker shaft cover      | 2    |
| 67193                   | GASKET, Rocker box cover              | 2    |
| LW-13321                | SEAT, Valve spring, lower, intake     | 1    |
| LW-11796                | SPRING, Valve, outer                  | 2    |
| LW-11797                | SPRING, Valve, inner                  | 2    |
| 68795                   | COVER ASSY., Rocker box               | 1    |
| 73857 or<br>LW-12328    | RING, Piston, oil regulating (chrome) | 1    |
| LW-13446 or<br>LW-14077 | PIN, Piston                           | 1    |
| 71195                   | BOX, Set-up                           | 1    |
| 71265                   | ROCKER ASSY., Exhaust valve           | 1    |
| 71266                   | ROCKER ASSY., Intake valve            | 1    |
| 71481                   | SEAL, Cylinder base                   | 1    |
| 71549                   | WASHER, Valve rocker thrust           | 2    |
| 72626                   | SHAFT, Valve rocker                   | 2    |
| LW-16740                | VALVE, Exhaust (nimonic)              | 1    |
| 73112 or<br>LW-13322    | SEAT, Valve spring, lower             | 1    |
| LW-16475                | SEAT, Valve spring, upper             | 1    |
| 74241                   | RING, Piston, compressor (chrome)     | 2    |
| LW-19047                | CYLINDER AND HEAD ASSY., Nitrided     | 1    |
| STD-1215                | BOLT                                  | 2    |
| LW-10207-S              | PISTON                                | 1    |
| LW-11775                | PLUG, Piston pin                      | 2    |
| SSP2272                 | TAG                                   | 1    |

**LYCOMING IO, LIO, HIO, TIO, AEIO-360 SERIES PARTS CATALOG**  
**WIDE CYLINDER FLANGE CRANKCASE MODEL ENGINES**

**SECTION 8**  
**SERVICE KIT SECTION**

**CYLINDER, PISTON AND RING ASSY. KIT**  
**HIO-360-A, -C SERIES**

| Part No.                      | Part Name                             | Qty. |
|-------------------------------|---------------------------------------|------|
| LW-19136                      | CYLINDER, PISTON AND RING ASSY.       | 1    |
| STD-160                       | WASHER                                | 4    |
| STD-1411                      | NUT                                   | 4    |
| STD-1925                      | SCREW                                 | 8    |
| MS13997-3                     | KEY, Valve, exhaust                   | 2    |
| MS13998-3                     | CAP, Valve stem, exhaust              | 1    |
| LW-12949                      | VALVE, Intake                         | 1    |
| 69532                         | SEAT, Valve spring, upper             | 1    |
| 72050                         | KEY, Valve                            | 2    |
| 62388                         | CAP, Valve stem                       | 1    |
| 60828                         | PLUG, Piston pin                      | 2    |
| LW-18661                      | SEAL, Shroud tube                     | 4    |
| 66731                         | COVER, Valve rocker shaft             | 2    |
| 66732                         | GASKET, Valve rocker shaft cover      | 2    |
| 67193                         | GASKET, Rocker box cover              | 1    |
| LW-13321                      | SEAT, Valve spring, lower, intake     | 1    |
| LW-11796                      | SPRING, Valve, outer                  | 2    |
| LW-11797                      | SPRING, Valve, inner                  | 2    |
| 68795                         | COVER ASSY., Rocker box               | 1    |
| 69457 or 69544 or<br>LW-13681 | RING, Piston, oil regulating (chrome) | 1    |
| LW-13446 or<br>LW-14077       | PIN, Piston                           | 1    |
| 71195                         | BOX, Set-up                           | 1    |
| 71265                         | ROCKER ASSY., Exhaust valve           | 1    |
| 71266                         | ROCKER ASSY., Intake valve            | 1    |
| 71481                         | SEAL, Cylinder base                   | 1    |
| 71549                         | WASHER, Valve rocker thrust           | 2    |
| 72626                         | SHAFT, Valve rocker                   | 2    |
| LW-16740                      | VALVE, Exhaust (nimonic)              | 1    |
| 73112 or<br>LW-13322          | SHAFT, Valve spring, lower            | 1    |
| LW-16475                      | SEAT, Valve spring, upper, exhaust    | 1    |
| 73264                         | PISTON                                | 1    |
| 74241                         | RING, Piston, compression (chrome)    | 3    |
| LW-19047                      | CYLINDER AND HEAD ASSY., Nitrided     | 1    |
| STD-1215                      | BOLT                                  | 2    |
| LW-11775                      | PLUG, Piston pin                      | 2    |
| SSP2272                       | TAG                                   | 1    |



**LYCOMING IO, LIO, HIO, TIO, AEIO-360 SERIES PARTS CATALOG**  
**WIDE CYLINDER FLANGE CRANKCASE MODEL ENGINES**

**SECTION 8**  
**SERVICE KIT SECTION**

**CYLINDER, PISTON AND RING ASSY. KIT**  
**IO-360-C, -J; LIO-360-C**

| Part No.                | Part Name                            | Qty. |
|-------------------------|--------------------------------------|------|
| LW-19134                | CYLINDER, PISTON AND RING ASSY.      | 1    |
| STD-160                 | WASHER                               | 4    |
| STD-1215                | BOLT                                 | 2    |
| STD-1411                | NUT                                  | 4    |
| STD-1925                | SCREW                                | 8    |
| MS13997-3               | KEY, Valve exhaust                   | 2    |
| MS13998-3               | CAP, Valve stem, exhaust             | 1    |
| 72050                   | KEY, Valve, intake                   | 2    |
| 60828                   | PLUG, Piston pin                     | 2    |
| LW-18661                | SEAL, Shroud tube                    | 4    |
| 66731                   | COVER, Valve rocker shaft            | 2    |
| 66732                   | GASKET, Valve rocker shaft cover     | 2    |
| 67193                   | GASKET, Rocker box cover             | 1    |
| LW-13321                | SEAT, Valve spring lower, intake     | 1    |
| 68795                   | COVER ASSY., Rocker box              | 1    |
| 69457 or<br>LW-13681    | RING, Piston oil regulating (chrome) | 1    |
| LW-13446 or<br>LW-14077 | PIN, Piston                          | 1    |
| 71195                   | BOX, Set-up                          | 1    |
| 71265                   | ROCKER ASSY., Exhaust valve          | 1    |
| 71266                   | ROCKER ASSY., Intake valve           | 1    |
| 71481                   | SEAL, Cylinder base                  | 1    |
| 71549                   | WASHER, Valve rocker thrust          | 2    |
| 72626                   | SHAFT, Valve rocker                  | 2    |
| LW-16740                | VALVE, Exhaust (nimonic)             | 1    |
| 73112 or<br>LW-13322    | SEAT, Valve spring lower             | 1    |
| LW-13622                | VALVE, Intake                        | 1    |
| 73264                   | PISTON                               | 1    |
| 74241                   | RING, Piston, compression            | 3    |
| LW-16475                | SEAT, Valve spring, upper exhaust    | 1    |
| 69532                   | SEAT, Valve spring, upper intake     | 1    |
| LW-11796                | SPRING, Valve outer                  | 1    |
| LW-11797                | SPRING, Valve inner                  | 1    |
| LW-12993                | CYLINDER ASSY., Nitrided             | 1    |
| LW-11775                | PLUG, Piston pin                     | 2    |
| SSP2272                 | TAG                                  | 1    |
| 62388                   | CAP                                  | 1    |

**SECTION 8**  
**SERVICE KIT SECTION**

**CYLINDER, PISTON AND RING ASSY. KIT**  
 IO-360-C, -J; LIO-360-C; AEIO-360-A1E

| Part No.                | Part Name                            | Qty. |
|-------------------------|--------------------------------------|------|
| LW-15485                | CYLINDER, PISTON AND RING ASSY.      | 1    |
| STD-160                 | WASHER                               | 4    |
| STD-1215                | BOLT                                 | 2    |
| STD-1411                | NUT                                  | 4    |
| STD-1925                | SCREW                                | 8    |
| MS13997-3               | KEY, Exhaust (rotator type)          | 2    |
| MS13998-3               | CAP, Valve stem, exhaust             | 1    |
| 72050                   | KEY, Valve intake                    | 2    |
| 60828                   | PLUG, Piston pin                     | 2    |
| LW-18661                | SEAL, Shroud tube                    | 4    |
| 66731                   | COVER, Valve rocker shaft            | 2    |
| 66732                   | GASKET, Valve rocker shaft cover     | 2    |
| 67193                   | GASKET, Rocker box cover             | 1    |
| LW-13321                | SEAT, Valve spring, lower, intake    | 1    |
| 68795                   | COVER ASSY., Rocker box              | 1    |
| LW-13446 or<br>LW-14077 | PIN, Piston                          | 1    |
| 71195                   | BOX, Set-up                          | 1    |
| 71265                   | ROCKER ASSY., Exhaust valve          | 1    |
| 71266                   | ROCKER ASSY., Intake valve           | 1    |
| 71481                   | SEAL, Cylinder base                  | 1    |
| 71549                   | WASHER, Valve rocker thrust          | 2    |
| 72626                   | SHAFT, Valve rocker                  | 2    |
| LW-16740                | VALVE, Exhaust (nimonic)             | 1    |
| 73112 or<br>LW-13322    | SEAT, Valve spring, lower            | 1    |
| LW-13622                | VALVE, Intake                        | 1    |
| 73857 or<br>LW-12328    | RING, Piston, oil regulating, chrome | 1    |
| 74241                   | RING, Piston compression, chrome     | 2    |
| LW-16475                | SEAT, Valve spring, upper exhaust    | 1    |
| 69532                   | SEAT, Valve spring, upper intake     | 1    |
| LW-10207-S              | PISTON                               | 1    |
| LW-11796                | SPRING, Valve outer                  | 2    |
| LW-11797                | SPRING, Valve inner                  | 2    |
| LW-12993                | CYLINDER ASSY., Nitrided             | 1    |
| LW-11775                | PLUG, Piston pin                     | 2    |
| SSP2272                 | TAG                                  | 1    |
| 62388                   | CAP                                  | 1    |

**LYCOMING IO, LIO, HIO, TIO, AEIO-360 SERIES PARTS CATALOG**  
**WIDE CYLINDER FLANGE CRANKCASE MODEL ENGINES**

**SECTION 8**  
**SERVICE KIT SECTION**

**CYLINDER, PISTON AND RING KIT ASSY.**  
**HIO-360-D1A**

| Part No.                | Part Name                               | Qty. |
|-------------------------|---|------|
| LW-19137                | CYLINDER, PISTON AND RING KIT ASSY.     | 1    |
| STD-160                 | WASHER                                  | 4    |
| STD-1411                | NUT                                     | 4    |
| STD-1925                | SCREW                                   | 8    |
| MS13997-3               | KEY, Valve, exhaust (rotator type)      | 2    |
| MS13998-3               | CAP, Valve stem, exhaust (rotator type) | 1    |
| 60009                   | KEY, Valve, intake                      | 2    |
| 60828                   | PLUG, Piston pin                        | 2    |
| LW-18661                | SEAL, Shroud tube                       | 4    |
| 66731                   | COVER, Valve rocker shaft               | 2    |
| 66732                   | GASKET, Valve rocker shaft cover        | 2    |
| 67193                   | GASKET, Rocker box cover                | 1    |
| LW-13321                | SEAT, Valve spring, lower, intake       | 1    |
| LW-11796                | SPRING, Valve, outer                    | 2    |
| LW-10077                | SEAT, Valve spring, upper, intake       | 1    |
| LW-11797                | SPRING, Valve, inner                    | 2    |
| 68795                   | COVER ASSY., Rocker box                 | 1    |
| 73857 or<br>LW-12328    | RING, Piston, oil regulating (chrome)   | 1    |
| LW-13446 or<br>LW-14077 | PIN, Piston                             | 1    |
| 71195                   | BOX, Set-up                             | 1    |
| 71265                   | ROCKER ASSY., Exhaust valve             | 1    |
| 71266                   | ROCKER ASSY., Intake valve              | 1    |
| 71481                   | SEAL, Cylinder base                     | 1    |
| 71549                   | WASHER, Valve rocker thrust             | 2    |
| 72626                   | SHAFT, Valve rocker                     | 2    |
| LW-16740                | VALVE, Exhaust (nimonic)                | 1    |
| 73112 or<br>LW-13322    | SEAT, Valve spring, lower               | 1    |
| LW-16475                | SEAT, Valve spring, upper, exhaust      | 1    |
| 73117                   | VALVE, Intake                           | 1    |
| 74241                   | RING, Piston, compression (chrome)      | 2    |
| LW-19047                | CYLINDER AND HEAD ASSY., Nitrided       | 1    |
| STD-1215                | BOLT                                    | 2    |
| LW-11487-S              | PISTON                                  | 1    |
| LW-11775                | PLUG, Piston pin                        | 2    |
| SSP2272                 | TAG                                     | 1    |

**LYCOMING 10, L10, H10, T10, AEIO-360 SERIES PARTS CATALOG**  
**WIDE CYLINDER FLANGE CRANKCASE MODEL ENGINES**

**SECTION 8**  
**SERVICE KIT SECTION**

**CYLINDER, PISTON AND RING KIT ASSY.**  
**AEIO-360-B1G6, -H1A; HIO-360-B1A**

| Part No.             | Part Name                           | Qty. |
|----------------------|-------------------------------------|------|
| 76296                | CYLINDER, PISTON AND RING KIT ASSY. | 1    |
| MS13997-3            | KEY, Valve exhaust                  | 2    |
| MS13998-3            | CAP, Valve stem, exhaust            | 1    |
| STD-1215             | BOLT                                | 2    |
| STD-1411             | NUT                                 | 1    |
| STD-1925             | SCREW                               | 6    |
| 60009                | KEY, Valve, intake                  | 2    |
| 60828                | PLUG, Piston pin                    | 2    |
| 61247                | COVER, Rocker box                   | 1    |
| LW-18661             | SEAL, Shroud tube                   | 2    |
| 65441                | SEAT, Valve spring, lower (intake)  | 1    |
| 69444                | ROCKER ASSY., Valve, intake         | 1    |
| 70310                | SEAL, Shroud tube                   | 2    |
| 71195                | BOX, Set-up                         | 1    |
| 71481                | SEAL, Cylinder base                 | 1    |
| 72198                | PLUG, Piston                        | 2    |
| 73857 or<br>LW-12328 | RING, Piston, oil regulating        | 1    |
| 73938                | VALVE, Intake                       | 1    |
| 74241                | RING, Piston, compression           | 2    |
| LW-19001             | VALVE, Exhaust (nimonic)            | 1    |
| 74636                | ROCKER ASSY., Exhaust               | 1    |
| 75089                | PISTON                              | 1    |
| 75906                | GASKET, Rocker box cover            | 1    |
| LW-10077             | SEAT, Valve spring upper, intake    | 1    |
| LW-11775             | PLUG, Piston pin (aluminum)         | 2    |
| LW-11795             | SPRING, Valve inner                 | 2    |
| LW-11800             | SPRING, Valve outer                 | 2    |
| LW-12272             | LOCKPLATE, Shroud tube              | 1    |
| LW-12427             | CYLINDER ASSY., Nitrided            | 1    |
| LW-12892             | THRUST BUTTON                       | 2    |
| LW-13323             | SEAT, Valve spring lower, exhaust   | 1    |
| LW-13790             | SHAFT, Valve rocker                 | 1    |
| LW-14077             | PIN, Piston                         | 1    |
| LW-14995             | SPRING, Shroud tube                 | 1    |
| LW-16475             | SEAT, Valve spring, upper, exhaust  | 1    |
| SSP672               | TAG                                 | 1    |
| SSP2472              | TAG                                 | 1    |

**LYCOMING 10, L10, H10, T10, AE10-360 SERIES PARTS CATALOG**  
**WIDE CYLINDER FLANGE CRANKCASE MODEL ENGINES**

**SECTION 8**  
**SERVICE KIT SECTION**

CYLINDER, PISTON AND RING KIT ASSY.  
TIO-360-A1B

| Part No.                | Part Name                               | Qty. |
|-------------------------|---|------|
| 78911                   | CYLINDER, PISTON AND RING KIT ASSY.     | 1    |
| STD-160                 | WASHER                                  | 4    |
| STD-1411                | NUT                                     | 4    |
| STD-1925                | SCREW                                   | 8    |
| MS13997-3               | KEY, Valve, exhaust (rotator type)      | 2    |
| MS13998-3               | CAP, Valve stem, exhaust (rotator type) | 1    |
| 72050                   | KEY, Valve, intake                      | 2    |
| 60828                   | PLUG, Piston pin                        | 2    |
| LW-18661                | SEAL, Shroud tube                       | 4    |
| 66731                   | COVER, Valve rocker shaft               | 2    |
| 66732                   | GASKET, Valve rocker shaft cover        | 2    |
| 67193                   | GASKET, Rocker box cover                | 1    |
| LW-13321                | SEAT, Valve spring, lower, intake       | 1    |
| LW-11796                | SPRING, Valve, outer                    | 2    |
| 69532                   | SEAT, Valve spring, upper, intake       | 1    |
| LW-11797                | SPRING, Valve, inner                    | 2    |
| 68795                   | COVER ASSY., Rocker box                 | 1    |
| 73857 or<br>LW-12328    | RING, Piston, oil regulating (chrome)   | 1    |
| LW-13446 or<br>LW-14077 | PIN, Piston                             | 1    |
| 71195                   | BOX, Set-up                             | 1    |
| 71265                   | ROCKER ASSY., Exhaust valve             | 1    |
| 71266                   | ROCKER ASSY., Intake valve              | 1    |
| 71481                   | SEAL, Cylinder base                     | 1    |
| 71549                   | WASHER, Valve rocker thrust             | 2    |
| 72626                   | SHAFT, Valve rocker                     | 2    |
| LW-16740                | VALVE, Exhaust (nimonic)                | 1    |
| 73112 or<br>LW-13322    | SEAT, Valve spring, lower               | 1    |
| LW-16475                | SEAT, Valve spring, upper, exhaust      | 1    |
| LW-12949                | VALVE, Intake                           | 1    |
| LW-10545-S              | PISTON                                  | 1    |
| 74241                   | RING, Piston, compression (chrome)      | 2    |
| 77544                   | CYLINDER AND HEAD ASSY., Nitrided       | 1    |
| STD-1215                | BOLT                                    | 2    |
| LW-11775                | PLUG, Piston pin                        | 2    |
| SSP2272                 | TAG                                     | 1    |
| 62388                   | CAP, Valve stem, intake                 | 1    |

**LYCOMING IO, LIO, HIO, TIO, AEIO-360 SERIES PARTS CATALOG**  
**WIDE CYLINDER FLANGE CRANKCASE MODEL ENGINES**

**SECTION 8**  
**SERVICE KIT SECTION**

**CYLINDER, PISTON AND RING ASSY. KIT**  
**IO-360-C1F**

| Part No.   | Part Name                             | Qty. |
|------------|---------------------------------------|------|
| LW-15795   | CYLINDER, PISTON AND RING ASSY. KIT   | 1    |
| STD-160    | WASHER                                | 4    |
| STD-1411   | NUT                                   | 4    |
| STD-1925   | SCREW                                 | 8    |
| MS13997-3  | KEY, Exhaust (rotator type)           | 2    |
| MS13998-3  | CAP, Valve stem exhaust               | 1    |
| 72050      | KEY, Valve intake                     | 2    |
| LW-18661   | SEAL, Shroud tube                     | 4    |
| 66731      | COVER, Valve rocker shaft             | 2    |
| 66732      | GASKET, Valve rocker shaft cover      | 2    |
| 67193      | GASKET, Rocker box cover              | 1    |
| LW-13321   | SEAT, Valve spring, lower, intake     | 1    |
| 68795      | COVER ASSY., Rocker box               | 1    |
| LW-14078   | PIN, Piston pin                       | 1    |
| 71195      | BOX, Set-up                           | 1    |
| 71265      | ROCKER ASSY., Exhaust valve           | 1    |
| 71266      | ROCKER ASSY., Intake valve            | 1    |
| 71481      | SEAL, Cylinder base                   | 1    |
| 71549      | WASHER, Valve rocker thrust           | 2    |
| 72626      | SHAFT, Valve rocker                   | 2    |
| LW-16740   | VALVE, Exhaust (nimonic)              | 1    |
| LW-13322   | SEAT, Valve spring, lower             | 1    |
| LW-13622   | VALVE, Intake (small rotator)         | 1    |
| 73857      | RING, Piston, oil reg. chrome         | 1    |
| 74241      | RING, Piston compression (chrome)     | 2    |
| LW-16475   | SEAT, Valve spring, upper exhaust     | 1    |
| 69532      | SEAT, Valve spring, upper intake      | 1    |
| LW-10207-S | PISTON (3 ring)                       | 1    |
| LW-11796   | SPRING, Valve outer                   | 2    |
| LW-11797   | SPRING, Valve inner                   | 2    |
| LW-12988   | CYLINDER ASSY., Nitrided (long reach) | 1    |
| 60828      | PLUG, Piston pin                      | 2    |
| 62388      | CAP                                   | 1    |

**LYCOMING 10, L10, H10, T10, AE10-360 SERIES PARTS CATALOG**  
**WIDE CYLINDER FLANGE CRANKCASE MODEL ENGINES**

**SECTION 8**  
**SERVICE KIT SECTION**

**SEAL AND GASKET KIT**  
**H10-360-B1A**

| Part No. | Part Name                              | Qty. |
|----------|--|------|
| 75439-1  | SEAL AND GASKET SET                    | 1    |
| AN901-8A | GASKET                                 | 1    |
| STD-111  | GASKET, Annular                        | 1    |
| STD-208  | SEAL, Oil                              | 1    |
| STD-213  | SEAL, Oil (fuel pump drive)            | 1    |
| STD-294  | GASKET, Annular                        | 2    |
| STD-1045 | GASKET, Annular                        | 1    |
| 1691-C   | GASKET, Fuel pump pad                  | 1    |
| 8313     | GASKET, Vacuum pump                    | 1    |
| 60096    | GASKET, Fuel pump                      | 1    |
| 61156    | LOCKPLATE, Crankshaft gear             | 1    |
| LW-14260 | SEAL, Tachometer                       | 1    |
| 61173    | GASKET, Oil pressure housing           | 1    |
| 61183    | GASKET, Accessory adapter              | 1    |
| 61523    | BOX, Set-up                            | 1    |
| 62224    | GASKET, Magneto adapter                | 3    |
| LW-18661 | SEAL, Shroud tube                      | 8    |
| 65321    | GASKET, Exhaust flange                 | 4    |
| 66224    | GASKET, Carburetor                     | 2    |
| 68315    | GASKET, Accessory drive adapter        | 1    |
| LW-13353 | GASKET, Oil sump                       | 1    |
| 69164    | GASKET, Fuel pump adapter              | 1    |
| 69345    | SPACER                                 | 4    |
| 69551    | GASKET, Accessory pad cover            | 1    |
| 70310    | SEAL, Shroud tube                      | 8    |
| 71481    | RING, Oil seal                         | 4    |
| 71973    | GASKET, Intake flange                  | 4    |
| 72053    | GASKET, Governor drive pad             | 2    |
| 72059    | GASKET                                 | 1    |
| 72075    | SEAL, Oil                              | 6    |
| 72078    | LOCKPLATE, Cam gear                    | 2    |
| 72091    | RING, Oil seal                         | 2    |
| 73383    | LOCKPLATE                              | 2    |
| 73817    | LOCKPLATE, Crankshaft idler gear shaft | 2    |
| 73818    | GASKET, Accessory housing              | 1    |
| 74065    | RING, Oil level gage seal              | 1    |
| 74068    | RING, Oil level gage seal              | 1    |
| 75906    | GASKET, Rocker box cover               | 4    |
| 76510    | GASKET                                 | 1    |
| 76940    | SEAL, Crankshaft oil                   | 1    |
| LW-13792 | SEAL, Crankshaft oil                   | 1    |
| LW-12272 | LOCKPLATE, Shroud tube                 | 4    |
| LW-12681 | GASKET, Magneto                        | 2    |
| LW-12795 | GASKET                                 | 1    |
| LW-14995 | SPRING                                 | 4    |
| LW-10332 | LOCKPLATE                              | 1    |
| 70455    | GASKET                                 | 1    |
| STD-1763 | PALNUT                                 | 4    |

**LYCOMING 10, L10, H10, T10, AE10-360 SERIES PARTS CATALOG**  
**WIDE CYLINDER FLANGE CRANKCASE MODEL ENGINES**

**SECTION 8**  
**SERVICE KIT SECTION**

**SEAL AND GASKET SET**

IO-360-C, -J SERIES; L10-360-C1E6; H10-360-A, -C SERIES

| Part No. | Part Name                              | Qty. |
|----------|--|------|
| 75441-1  | SEAL AND GASKET SET                    | 1    |
| AN901-8A | GASKET                                 | 1    |
| STD-111  | GASKET, Annular                        | 1    |
| STD-208  | SEAL, Oil                              | 1    |
| STD-213  | SEAL, Oil                              | 1    |
| STD-294  | GASKET, Annular                        | 1    |
| STD-1045 | GASKET, Annular                        | 1    |
| 1691-C   | GASKET, Fuel pump                      | 2    |
| 8313     | GASKET, Vacuum pump                    | 1    |
| 60096    | GASKET                                 | 1    |
| 61156    | LOCKPLATE, Crankshaft gear             | 1    |
| LW-14260 | SEAL, Tachometer drive                 | 1    |
| 61173    | GASKET, Oil pressure housing           | 1    |
| 61183    | GASKET, Accessory adapter              | 1    |
| 61523    | BOX, Set-up                            | 1    |
| 62224    | GASKET, Magneto                        | 3    |
| LW-18661 | SEAL, Shroud tube                      | 16   |
| 66224    | GASKET, Carburetor                     | 3    |
| 66732    | GASKET, Valve rocker shaft cover       | 8    |
| 67193    | GASKET, Rocker box cover               | 4    |
| 68129    | GASKET                                 | 1    |
| 68315    | GASKET, Accessory drive adapter        | 1    |
| LW-13343 | GASKET, Oil sump                       | 1    |
| 69164    | GASKET, Fuel pump adapter              | 1    |
| 69551    | GASKET, Accessory drive adapter        | 1    |
| 71481    | SEAL, Cylinder base                    | 4    |
| 71973    | GASKET                                 | 4    |
| 72053    | GASKET, Governor                       | 1    |
| 72075    | SEAL, Oil                              | 6    |
| 72078    | LOCKPLATE, Camshaft gear               | 2    |
| 72091    | RING, Oil seal                         | 2    |
| 73032    | GASKET, Injector elbow                 | 1    |
| 73383    | LOCKPLATE                              | 2    |
| 75118    | GASKET, Exhaust flange                 | 8    |
| 73817    | LOCKPLATE, Crankshaft idler gear shaft | 2    |
| 73818    | GASKET, Accessory housing              | 1    |
| 74068    | RING, Oil level gage seal              | 1    |
| 74712    | RING, Oil seal                         | 4    |
| 76510    | GASKET                                 | 1    |
| LW-12795 | GASKET                                 | 1    |
| 76940    | SEAL, Crankshaft oil                   | 1    |
| 77569    | RING, Oil seal                         | 4    |
| LW-12681 | GASKET                                 | 2    |
| LW-13792 | SEAL, Crankshaft oil                   | 1    |
| 72059    | GASKET                                 | 1    |
| 70455    | GASKET                                 | 1    |
| 75906    | GASKET                                 | 4    |
| 74065    | RING, Oil level gage                   | 1    |



**LYCOMING IO, LIO, HIO, TIO, AEIO-360 SERIES PARTS CATALOG**  
**WIDE CYLINDER FLANGE CRANKCASE MODEL ENGINES**

**SECTION 8**  
**SERVICE KIT SECTION**

**SEAL AND GASKET SET**  
**HIO-360-E1AD, -E1BD, -F1AD**

| Part No.     | Part Name                  | Qty. |
|--------------|----------------------------|------|
| LW-14895     | SEAL AND GASKET SET        | 1    |
| MS16625-1081 | RING, Internal retaining   | 1    |
| MS16625-1100 | RING, Internal retaining   | 1    |
| STD-111      | GASKET                     | 1    |
| STD-294      | GASKET                     | 2    |
| STD-1045     | GASKET                     | 1    |
| LW-18661     | GASKET, Shroud tube        | 16   |
| 66224        | GASKET, Fuel injector      | 1    |
| 66732        | GASKET, Rocker shaft cover | 8    |
| 67193        | GASKET, Rocker box cover   | 4    |
| 69164        | GASKET, Fuel pump adapter  | 1    |
| 71481        | SEAL, Cylinder base        | 4    |
| 71973        | GASKET, Intake pipe        | 4    |
| 72075        | SEAL, oil                  | 6    |
| 72091        | RING, Oil seal             | 2    |
| 73383        | LOCKPLATE                  | 2    |
| 73818        | GASKET, Accessory housing  | 1    |
| 74068        | RING, Oil level gage       | 1    |
| LW-10332     | LOCKPLATE, Crankshaft      | 1    |
| LW-12681     | GASKET, Magneto            | 1    |
| LW-13353     | GASKET, Oil sump           | 1    |
| LW-13792     | SEAL, Crankshaft           | 1    |
| LW-14260     | SEAL, Tachometer drive     | 1    |
| 61523        | BOX, Set-up                | 1    |

**SECTION 8**  
**SERVICE KIT SECTION**

SEAL AND GASKET SET  
 H10-360-D1A

| Part No.     | Part Name                        | Qty. |
|--------------|----------------------------------|------|
| LW-12937     | SEAL AND GASKET SET              | 1    |
| MS16625-1081 | RING, Internal retaining         | 1    |
| MS16625-1100 | RING, Internal retaining         | 1    |
| MS29512-4    | SEAL                             | 1    |
| MS29512-6    | SEAL                             | 1    |
| MS29512-10   | SEAL                             | 3    |
| STD-111      | GASKET                           | 1    |
| STD-294      | GASKET                           | 2    |
| STD-1045     | GASKET                           | 1    |
| 8313         | GASKET, Vacuum pump              | 1    |
| 60096        | GASKET                           | 1    |
| LW-14260     | SEAL, Tachometer drive           | 1    |
| 61523        | BOX, Set-up                      | 1    |
| LW-18661     | SEAL, Shroud tube                | 16   |
| 66732        | GASKET, Valve rocker shaft cover | 8    |
| 67193        | GASKET, Rocker box cover         | 4    |
| LW-13353     | GASKET, Oil sump                 | 1    |
| 71481        | SEAL, Cylinder base              | 4    |
| 71973        | GASKET                           | 4    |
| 72075        | SEAL, Oil                        | 6    |
| 72091        | RING, Oil seal                   | 2    |
| 72312        | "O" RING                         | 1    |
| 73032        | GASKET, Fuel injector elbow      | 1    |
| 73383        | LOCKPLATE                        | 2    |
| 73818        | GASKET, Accessory housing        | 1    |
| 74712        | RING, Oil seal                   | 4    |
| 68129        | GASKET, Fuel injector            | 1    |
| 78032        | LOCKRING, Internal pipe          | 4    |
| LW-10332     | LOCKPLATE, Crankshaft            | 1    |
| LW-13792     | SEAL, Crankshaft oil             | 1    |
| 61156        | LOCKPLATE, Crankshaft gear       | 1    |
| 61173        | GASKET, Oil pressure housing     | 1    |
| 61183        | GASKET, Accessory adapter        | 1    |
| 69551        | GASKET, Accessory drive adapter  | 1    |
| 72059        | GASKET, Oil level gage           | 1    |
| LW-12681     | GASKET, Magneto                  | 2    |
| LW-12620     | RING, Seal, intake pipe          | 4    |

**LYCOMING IO, L10, H10, T10, AEIO-360 SERIES PARTS CATALOG**  
 WIDE CYLINDER FLANGE CRANKCASE MODEL ENGINES

**SECTION 8**  
**SERVICE KIT SECTION**

**SEAL AND GASKET SET**  
**AEIO-360 SERIES**

| Part No.     | Part Name                        | Qty. |
|--------------|----------------------------------|------|
| LW-10964     | SEAL AND GASKET SET              | 1    |
| 8313         | GASKET, Vacuum pump              | 1    |
| MS29512-10   | SEAL, Oil                        | 1    |
| MS29512-12   | SEAL, Oil                        | 2    |
| STD-111      | GASKET                           | 2    |
| STD-294      | GASKET                           | 2    |
| STD-1045     | GASKET                           | 1    |
| STD-2013     | RING, Oil seal                   | 2    |
| 60096        | GASKET, Fuel pump                | 1    |
| 61156        | LOCKPLATE, Crankshaft gear       | 1    |
| LW-14260     | SEAL, Tachometer drive           | 1    |
| 61173        | GASKET, Oil pressure housing     | 1    |
| 61183        | GASKET, Accessory adapter        | 1    |
| 61503        | SLEEVE, Shroud tube seal         | 8    |
| 62224        | GASKET, Magneto adapter          | 1    |
| LW-18661     | SEAL, Shroud tube                | 16   |
| 66224        | GASKET, Fuel injector            | 1    |
| 66732        | GASKET, Valve rocker shaft cover | 8    |
| 67193        | GASKET, Rocker box cover         | 4    |
| 68315        | GASKET, Accessory drive adapter  | 1    |
| 70455        | GASKET                           | 1    |
| 71481        | RING, Oil seal                   | 4    |
| 71973        | GASKET, 2 bolt flange            | 4    |
| 72053        | GASKET, Governor                 | 1    |
| 72075        | SEAL, Oil                        | 4    |
| 72091        | RING, Oil seal                   | 2    |
| 73383        | LOCKPLATE                        | 1    |
| 75118        | GASKET, Exhaust flange           | 8    |
| 73818        | GASKET, Accessory housing        | 1    |
| 74712        | RING, Seal                       | 4    |
| 77055        | GASKET, Crankcase cover, upper   | 1    |
| 77056        | GASKET, Crankcase cover, lower   | 1    |
| LW-12681     | GASKET, Magneto                  | 2    |
| 77569        | SEAL                             | 4    |
| LW-13792     | SEAL                             | 1    |
| AN901-8A     | GASKET                           | 1    |
| LW-12272     | LOCKPLATE                        | 4    |
| LW-12795     | GASKET                           | 1    |
| LW-13353     | GASKET                           | 1    |
| MS16625-1081 | RING                             | 1    |
| STD-1221     | RING                             | 1    |
| 65321        | GASKET                           | 4    |
| 69551        | GASKET                           | 1    |
| 72059        | GASKET                           | 1    |
| 74065        | "O" RING                         | 1    |
| 74068        | "O" RING                         | 1    |
| 75906        | GASKET                           | 4    |
| 61523        | BOX, Set-up                      | 1    |
| 70310        | SEAL                             | 8    |

**LYCOMING 10, L10, H10, T10, AE10-360 SERIES PARTS CATALOG**  
**WIDE CYLINDER FLANGE CRANKCASE MODEL ENGINES**

**SECTION 8**  
**SERVICE KIT SECTION**

**SEAL AND GASKET SET**  
**TIO-360-A1B**

| Part No.  | Part Name                                   | Qty. |
|-----------|---|------|
| 78913-1   | SEAL AND GASKET SET                         | 1    |
| MS29512-8 | SEAL, Oil                                   | 1    |
| STD-111   | GASKET                                      | 1    |
| STD-208   | SEAL, Oil                                   | 1    |
| STD-213   | SEAL, Oil (fuel pump)                       | 1    |
| STD-294   | GASKET                                      | 2    |
| STD-1002  | RING, Oil seal                              | 1    |
| STD-1006  | RING, Oil seal                              | 1    |
| STD-1045  | GASKET                                      | 1    |
| 8313      | GASKET, Vacuum pump                         | 2    |
| 61156     | LOCKPLATE, Crankshaft gear                  | 1    |
| LW-14260  | SEAL, Tachometer drive                      | 1    |
| 61183     | GASKET, Accessory housing                   | 1    |
| LW-18661  | SEAL, Shroud tube                           | 16   |
| 66224     | GASKET, Carburetor                          | 2    |
| 66732     | GASKET, Rocker shaft cover                  | 8    |
| 67193     | GASKET, Rocker box cover                    | 4    |
| 68315     | GASKET, Accessory drive adapter             | 1    |
| LW-12272  | LOCKPLATE, Shroud tube                      | 4    |
| LW-13353  | GASKET, Oil sump                            | 1    |
| 69164     | GASKET, Fuel pump adapter                   | 1    |
| 71481     | SEAL, Cylinder base                         | 4    |
| 71973     | GASKET, Intake flange                       | 4    |
| 72053     | GASKET, Governor                            | 1    |
| 72075     | RING, Oil seal                              | 6    |
| 72091     | RING, Oil seal                              | 2    |
| 72829     | LOCKPLATE                                   | 1    |
| 73032     | GASKET, Air inlet housing                   | 1    |
| 73314     | GASKET, Density and diff. press. controller | 5    |
| 73383     | LOCKPLATE                                   | 2    |
| 75118     | GASKET, Exhaust flange                      | 8    |
| 73818     | GASKET, Accessory housing                   | 1    |
| LW-12681  | GASKET, Magneto                             | 2    |
| 74068     | RING, Oil seal                              | 1    |
| 74712     | RING, Oil seal                              | 4    |
| LW-18038  | GASKET, Turbo oil drain                     | 1    |
| LW-12795  | GASKET, Oil filter adapter                  | 1    |
| 76940     | SEAL, Crankshaft oil                        | 1    |
| 77504     | GASKET, Fuel injector                       | 1    |
| 77813     | GASKET, Turbo oil inlet                     | 1    |
| 78073     | LOCKPLATE                                   | 1    |
| 78084     | GASKET                                      | 2    |
| 78086     | GASKET                                      | 1    |
| 76510     | GASKET                                      | 1    |
| 77569     | SEAL  | 4    |
| 72059     | GASKET                                      | 1    |
| LW-14995  | SPRING                                      | 4    |
| 69345     | SPACER                                      | 4    |
| LW-13792  | SEAL  | 1    |
| 61523     | BOX, Set-up                                 | 1    |

**SECTION 9**  
**NUMERICAL INDEX**

| PART NO.      | PART NAME     | PAGE NO. | PART NO. | PART NAME              | PAGE NO. |
|---------------|---------------|----------|----------|------------------------|----------|
| AN365-632C    | Nut           | 4-11     | LW-10179 | Regulator              | 5-3      |
| AN500-A416-10 | Screw         | 4-13     | LW-10185 | Regulator              | 5-3      |
| AN500-A416-10 | Screw         | 7-9      | LW-10207 | Piston                 | 3-3      |
| AN500-A416-10 | Screw         | 7-11     | LW-10284 | Gear                   | 1-6      |
| AN500-416-18  | Screw         | 4-11     | LW-10286 | Gear Assy.             | 1-8      |
| AN526-420-8   | Screw         | 4-9      | LW-10288 | Gear Assy.             | 1-8      |
| AN565B1032H5  | Set Screw     | 1-10     | LW-10296 | Gear Assy.             | 1-8      |
| AN6-13        | Bolt          | 5-1      | LW-10298 | Shaft                  | 1-8      |
| AN6-14        | Bolt          | 5-1      | LW-10298 | Shaft                  | 2-15     |
| AN6-16        | Bolt          | 5-1      | LW-10299 | Shaft                  | 1-8      |
| AN6-32        | Bolt          | 5-1      | LW-10305 | Gear Assy.             | 2-13     |
| AN6-34A       | Bolt          | 1-12     | LW-10320 | Sleeve                 | 2-9      |
| AN6C-10A      | Bolt          | 7-1      | LW-10321 | Spring                 | 2-9      |
| AN6C-36A      | Bolt          | 7-3      | LW-10323 | Gear Assy.             | 2-15     |
| AN737TW82     | Clamp         | 7-5      | LW-10327 | Shaftgear Assy.        | 2-15     |
| AN777-8D      | Elbow         | 2-11     | LW-10332 | Lockplate              | 1-6      |
| AN780-2       | Nipple        | 6-5      | LW-10341 | Insert                 | 2-1      |
| AN791-2       | Elbow         | 6-5      | LW-10342 | Body                   | 2-7      |
| AN8-14A       | Bolt          | 1-6      | LW-10382 | Bracket                | 5-1      |
| AN814-10L     | Plug          | 2-11     | LW-10409 | Fuel Injector          | 6-7      |
| AN816-4       | Nipple        | 6-5      | LW-10481 | Pipe                   | 6-3      |
| AN816-4       | Nipple        | 6-7      | LW-10482 | Housing Assy.          | 2-1      |
| AN816-6       | Nipple        | 2-15     | LW-10483 | Pipe                   | 6-3      |
| AN818-4C      | Nut           | 6-13     | LW-10484 | Pipe                   | 6-3      |
| AN819-4C      | Sleeve        | 6-13     | LW-10493 | Elbow Assy.            | 6-7      |
| AN821-4       | Elbow         | 6-13     | LW-10545 | Piston                 | 3-3      |
| AN822-6       | Elbow         | 6-11     | LW-10551 | Gear                   | 1-3      |
| AN824-4       | Tee           | 7-11     | LW-10646 | Connecting Rod Assy.   | 3-3      |
| AN833-4       | Elbow         | 6-5      | LW-10647 | Dowel                  | 1-1      |
| AN837-4       | Elbow         | 6-12     | LW-10799 | Spacer                 | 2-15     |
| AN839-8D      | Elbow         | 7-9      | LW-10885 | Housing Assy.          | 2-1      |
| AN844-10D     | Elbow         | 2-11     | LW-10892 | Housing Assy.          | 2-1      |
| AN893-2       | Reducer       | 6-7      | LW-10945 | Roller                 | 1-6      |
| AN900-16      | "O" Ring      | 6-2      | LW-10977 | Roller                 | 1-6      |
| AN901-8A      | Gasket        | 2-11     | LW-10979 | Alternator Assy.       | 5-3      |
| AN924-4       | Nut           | 6-5      | LW-11021 | Bearing                | 1-3      |
| AN924-4       | Nut           | 6-7      | LW-11166 | Fuel Pump              | 2-15     |
| AN924-4       | Nut           | 6-10     | LW-11228 | Crankshaft Assy.       | 1-5      |
| AN924-4       | Nut           | 6-12     | LW-11229 | Cr'shft. & Cw't. Assy. | 1-5      |
| AN924-8D      | Nut           | 7-9      | LW-11281 | Pipe                   | 6-3      |
| AN931-12S17   | Grommet       | 3-10     | LW-11282 | Pipe                   | 6-3      |
| AN932-2       | Plug          | 6-5      | LW-11283 | Pipe                   | 6-3      |
| AN960-616L    | Washer        | 1-12     | LW-11284 | Pipe                   | 6-3      |
| AN960C616     | Washer        | 7-1      | LW-11457 | Connecting Rod Assy.   | 3-3      |
| LW-10020      | Fuel Injector | 6-5      | LW-11485 | Tube                   | 3-5      |
| LW-10077      | Seat          | 3-5      | LW-11485 | Tube                   | 3-5A     |
| LW-10077      | Seat          | 3-5A     | LW-11487 | Piston                 | 3-3      |
| LW-10098      | Controller    | 7-5      | LW-11518 | Shaft                  | 2-5      |

**NUMERICAL INDEX (CONT.)**

| PART NO.          | PART NAME              | PAGE NO. | PART NO.       | PART NAME              | PAGE NO. |
|-------------------|------------------------|----------|----------------|------------------------|----------|
| LW-11519          | Support Assy.          | 1-3      | LW-12098-4-390 | Tube Assy.             | 6-9      |
| LW-11520          | Housing Assy.          | 2-1      | LW-12098-4-390 | Tube Assy.             | 6-10     |
| LW-11564          | Turbocharger           | 7-3      | LW-12098-4-412 | Tube Assy.             | 6-10     |
| LW-11573          | Support Assy.          | 1-3      | LW-12155       | Manifold Assy.         | 6-5      |
| LW-11578          | Crankshaft Assy.       | 1-5      | LW-12168       | Shaftgear              | 2-5      |
| LW-11579          | Cr'shft. & Cw't. Assy. | 1-5      | LW-12170       | Adapter Assy.          | 2-5      |
| LW-11718          | Tube                   | 7-9      | LW-12186       | Nut                    | 3-3      |
| LW-11720          | Duct                   | 7-5      | LW-12213       | Tube Assy.             | 2-3      |
| LW-11750          | Connecting Rod Assy.   | 3-3      | LW-12272       | Lockplate              | 3-5      |
| LW-11754          | Camshaft               | 1-6      | LW-12272       | Lockplate              | 3-5A     |
| LW-11775          | Plug                   | 3-3      | LW-12288       | Tube                   | 7-9      |
| LW-11795          | Spring                 | 3-5      | LW-12289       | Sleeve                 | 7-9      |
| LW-11795          | Spring                 | 3-5A     | LW-12290       | Tank                   | 7-9      |
| LW-11796          | Spring                 | 3-5      | LW-12311       | Camshaft               | 1-6      |
| LW-11796          | Spring                 | 3-5A     | LW-12312       | Camshaft               | 1-6      |
| LW-11797          | Spring                 | 3-5      | LW-12335       | Crankshaft Assy.       | 1-5      |
| LW-11797          | Spring                 | 3-5A     | LW-12336       | Cr'shft. & Cw't. Assy. | 1-5      |
| LW-11800          | Spring                 | 3-5      | LW-12347       | Plate                  | 2-3      |
| LW-11800          | Spring                 | 3-5A     | LW-12427       | Cylinder & Head Assy.  | 3-1      |
| LW-11839          | Body                   | 2-7      | LW-12545       | Plug                   | 6-1      |
| LW-11866          | Spacer Nut             | 1-12     | LW-12545       | Plug                   | 6-1A     |
| LW-11867          | Elbow                  | 7-11     | LW-12571       | Drive Assy.            | 2-5      |
| LW-11944-48S70-75 | Lead Assy.             | 4-9      | LW-12586       | Fuel Injector          | 6-7      |
| LW-11944-48S90-75 | Lead Assy.             | 4-9      | LW-12589       | Insert                 | 2-1      |
| LW-11944-72S70-75 | Lead Assy.             | 4-9      | LW-12596       | Bolt                   | 3-3      |
| LW-12074          | Bracket                | 6-5      | LW-12604       | Nipple                 | 6-5      |
| LW-12083          | Switch                 | 5-5      | LW-12604       | Nipple                 | 6-8      |
| LW-12085          | Switch                 | 5-5      | LW-12618       | Sump Assy.             | 6-1      |
| LW-12086          | Switch                 | 5-5      | LW-12618       | Sump Assy.             | 6-1A     |
| LW-12093-5        | Coupling               | 7-1      | LW-12620       | Ring                   | 6-3      |
| LW-12098-0-134    | Tube Assy.             | 6-9      | LW-12621       | Pipe                   | 6-3      |
| LW-12098-0-134    | Tube Assy.             | 6-10     | LW-12622       | Pipe                   | 6-3      |
| LW-12098-0-140    | Tube Assy.             | 6-9      | LW-12623       | Pipe                   | 6-3      |
| LW-12098-0-140    | Tube Assy.             | 6-10     | LW-12624       | Pipe                   | 6-3      |
| LW-12098-0-170    | Tube Assy.             | 6-9      | LW-12643       | Fuel Injector          | 6-7      |
| LW-12098-0-170    | Tube Assy.             | 6-10     | LW-12681       | Gasket                 | 4-1      |
| LW-12098-0-200    | Tube Assy.             | 6-9      | LW-12681       | Gasket                 | 4-3      |
| LW-12098-0-200    | Tube Assy.             | 6-10     | LW-12681       | Gasket                 | 4-5      |
| LW-12098-0-310    | Tube Assy.             | 6-10     | LW-12681       | Gasket                 | 4-7      |
| LW-12098-2-256    | Tube Assy.             | 6-10     | LW-12688       | Seat                   | 3-1      |
| LW-12098-2-276    | Tube Assy.             | 6-9      | LW-12700       | Hose                   | 2-3      |
| LW-12098-2-296    | Tube Assy.             | 6-10     | LW-12706       | Adapter                | 4-3      |
| LW-12098-3-240    | Tube Assy.             | 6-10     | LW-12706       | Adapter                | 4-7      |
| LW-12098-3-310    | Tube Assy.             | 6-10     | LW-12752       | Clamp                  | 2-3      |
| LW-12098-3-320    | Tube Assy.             | 6-10     | LW-12754       | Sump Assy.             | 6-1      |
| LW-12098-3-334    | Tube Assy.             | 6-10     | LW-12754       | Sump Assy.             | 6-1A     |
| LW-12098-3-350    | Tube Assy.             | 6-9      | LW-12784-4-260 | Hose Assy.             | 6-13     |
| LW-12098-4-350    | Tube Assy.             | 6-10     | LW-12786-3-073 | Hose                   | 7-9      |

**NUMERICAL INDEX (CONT.)**

| PART NO.       | PART NAME             | PAGE NO. | PART NO. | PART NAME            | PAGE NO. |
|----------------|-----------------------|----------|----------|----------------------|----------|
| LW-12795       | Gasket                | 2-9      | LW-13422 | Connecting Rod Assy. | 3-3      |
| LW-12798-4-074 | Hose Assy.            | 7-11     | LW-13521 | Bearing              | 3-3      |
| LW-12798-4-340 | Hose Assy.            | 6-12     | LW-13641 | Cushion              | 4-5      |
| LW-12798-4S130 | Hose                  | 6-9      | LW-13643 | Gear                 | 4-5      |
| LW-12798-4S204 | Hose Assy.            | 7-11     | LW-13680 | Crankcase Assy.      | 1-1      |
| LW-12799-6S074 | Hose Assy.            | 7-11     | LW-13683 | Bearing              | 1-3      |
| LW-12799-6S144 | Hose Assy.            | 6-12     | LW-13688 | Crankshaft Assy.     | 1-5      |
| LW-12799-6S270 | Hose Assy.            | 7-7      | LW-13751 | Fitting              | 6-2      |
| LW-12832       | Alternator Assy.      | 5-3      | LW-13752 | Plug                 | 6-2      |
| LW-12879-6S120 | Hose Assy.            | 6-12     | LW-13753 | Fitting              | 6-2      |
| LW-12892       | Thrust Button         | 3-7      | LW-13754 | Fitting              | 6-2      |
| LW-12892       | Thrust Button         | 3-8A     | LW-13755 | Tee                  | 6-2      |
| LW-12911       | Gear Assy.            | 1-8      | LW-13774 | Impeller             | 2-7      |
| LW-12913       | Thrust Button         | 2-3      | LW-13775 | Impeller Assy.       | 2-7      |
| LW-12914       | Gear Assy.            | 2-3      | LW-13790 | Shaft                | 3-7      |
| LW-12920       | Tube Assy.            | 2-3      | LW-13790 | Shaft                | 3-8A     |
| LW-12968       | Housing Assy.         | 2-1      | LW-13792 | Seal                 | 1-3      |
| LW-12988       | Cylinder & Head Assy. | 3-1      | LW-13793 | Stud                 | 1-1      |
| LW-12993       | Cylinder & Head Assy. | 3-1      | LW-13796 | Shaft                | 1-8      |
| LW-13039       | Bracket               | 5-1      | LW-13807 | Adapter Assy.        | 6-4      |
| LW-13107       | Pipe                  | 6-3      | LW-13808 | Crankcase Assy.      | 1-1      |
| LW-13108       | Pipe                  | 6-3      | LW-13809 | Crankcase Assy.      | 1-1      |
| LW-13109       | Pipe                  | 6-3      | LW-13811 | Crankcase Assy.      | 1-1      |
| LW-13110       | Pipe                  | 6-3      | LW-13813 | Crankcase Assy.      | 1-1      |
| LW-13175-4-102 | Hose Assy.            | 6-12     | LW-13818 | Crankcase Assy.      | 1-1      |
| LW-13175-4-172 | Hose                  | 6-12     | LW-13819 | Crankcase Assy.      | 1-1      |
| LW-13175-4-340 | Hose Assy.            | 6-12     | LW-13821 | Crankcase Assy.      | 1-1      |
| LW-13175-4-343 | Hose Assy.            | 6-12     | LW-13822 | Crankcase Assy.      | 1-1      |
| LW-13175-4-352 | Hose Assy.            | 6-12     | LW-13823 | Crankcase Assy.      | 1-1      |
| LW-13181-6-112 | Hose Assy.            | 6-12     | LW-13824 | Crankcase Assy.      | 1-1      |
| LW-13181-6-254 | Hose                  | 6-12     | LW-13861 | Sump Assy.           | 6-1      |
| LW-13183-6S161 | Hose Assy.            | 6-12     | LW-13861 | Sump Assy.           | 6-1A     |
| LW-13185-6-114 | Hose Assy.            | 6-12     | LW-13864 | Sump Assy.           | 6-1      |
| LW-13192-4S334 | Hose Assy.            | 6-12     | LW-13864 | Sump Assy.           | 6-1A     |
| LW-13209       | Bearing               | 3-3      | LW-13884 | Bearing              | 1-3      |
| LW-13215       | Oil Filter            | 2-9      | LW-13885 | Bearing              | 1-3      |
| LW-13264       | Pipe                  | 6-3      | LW-13888 | Screen               | 6-1A     |
| LW-13265       | Pipe                  | 6-3      | LW-13896 | Plug                 | 1-10     |
| LW-13266       | Pipe                  | 6-3      | LW-13904 | Kit                  | 2-9      |
| LW-13267       | Pipe                  | 6-3      | LW-13906 | Oil Filter Assy.     | 2-9      |
| LW-13321       | Seat                  | 3-5      | LW-13923 | Bushing              | 3-3      |
| LW-13321       | Seat                  | 3-5A     | LW-13939 | Clamp                | 4-11     |
| LW-13322       | Seat                  | 3-5      | LW-14021 | Shaft                | 1-10     |
| LW-13322       | Seat                  | 3-5A     | LW-14035 | Fitting              | 6-2      |
| LW-13323       | Seat                  | 3-5      | LW-14040 | Gear Assy.           | 2-7      |
| LW-13323       | Seat                  | 3-5A     | LW-14057 | Clip                 | 4-7      |
| LW-13353       | Gasket                | 6-1      | LW-14057 | Clip                 | 4-9      |
| LW-13353       | Gasket                | 6-1A     | LW-14057 | Clip                 | 4-11     |

**NUMERICAL INDEX (CONT.)**

| PART NO. | PART NAME        | PAGE NO. | PART NO.       | PART NAME            | PAGE NO. |
|----------|------------------|----------|----------------|----------------------|----------|
| LW-14060 | Clip             | 4-7      | LW-15574       | Starter              | 5-5      |
| LW-14060 | Clip             | 4-9      | LW-15592-5-04  | Clamp                | 6-13     |
| LW-14060 | Clip             | 4-11     | LW-15592-5-05  | Clamp                | 3-10     |
| LW-14077 | Pin              | 3-3      | LW-15592-8-08  | Clamp                | 7-9      |
| LW-14078 | Pin              | 3-3      | LW-15592-8-28  | Clamp                | 6-3      |
| LW-14113 | Manifold Assy.   | 6-7      | LW-15628       | Seal                 | 1-3      |
| LW-14148 | Fitting          | 6-2      | LW-15635       | Mag. & Harness Assy. | 4-7      |
| LW-14215 | Starter          | 5-5      | LW-15636       | Magneto              | 4-7      |
| LW-14230 | Cushion          | 4-1      | LW-15637       | Mag. & Harness Assy. | 4-7      |
| LW-14260 | Seal             | 2-7      | LW-15638       | Magneto              | 4-7      |
| LW-14308 | Alternator       | 5-3      | LW-15664       | Fuel Injector        | 6-5      |
| LW-14316 | Alternator       | 5-3      | LW-157208      | Kit                  | 4-1      |
| LW-14319 | Alternator       | 5-3      | LW-157208      | Kit                  | 4-5      |
| LW-14324 | Alternator       | 5-3      | LW-147209      | Kit                  | 4-1      |
| LW-14353 | Alternator Assy. | 5-3      | LW-157209      | Kit                  | 4-5      |
| LW-14357 | Alternator Assy. | 5-3      | LW-15877       | Camshaft             | 1-6      |
| LW-14382 | Fuel Injector    | 6-5      | LW-15895       | Regulator            | 5-3      |
| LW-14439 | Sump Assy.       | 6-1      | LW-15971       | Fuel Injector        | 6-5      |
| LW-14439 | Sump Assy.       | 6-1A     | LW-16054       | Crankcase Assy.      | 1-1      |
| LW-14529 | Plug             | 1-5      | LW-16059       | Crankshaft Assy.     | 1-5      |
| LW-14576 | Manifold Assy.   | 6-5      | LW-16064       | Support Assy.        | 1-3      |
| LW-14610 | Piston           | 3-3      | LW-16266-10-13 | Clamp                | 6-9      |
| LW-14706 | Housing Assy.    | 2-1      | LW-16266-10-13 | Clamp                | 6-10     |
| LW-14725 | Gage Assy.       | 1-3      | LW-16266-10-75 | Clamp                | 6-9      |
| LW-14726 | Gage Assy.       | 1-3      | LW-16266-10-75 | Clamp                | 6-10     |
| LW-14753 | Gage Assy.       | 1-3      | LW-16266-10-75 | Clamp                | 7-7      |
| LW-14757 | Gage Assy.       | 1-3      | LW-16266-25-25 | Clamp                | 6-9      |
| LW-14758 | Gage Assy.       | 1-3      | LW-16266-25-25 | Clamp                | 6-10     |
| LW-14760 | Gage Assy.       | 1-3      | LW-16266-25-38 | Clamp                | 2-3      |
| LW-14763 | Gage Assy.       | 1-3      | LW-16266-25-38 | Clamp                | 2-5      |
| LW-14765 | Gage Assy.       | 1-3      | LW-16266-25-50 | Clamp                | 4-11     |
| LW-14766 | Gage Assy.       | 1-3      | LW-16266-25-50 | Clamp                | 6-12     |
| LW-14769 | Gage Assy.       | 1-3      | LW-16266-25-63 | Clamp                | 6-12     |
| LW-14780 | Gage Assy.       | 1-6      | LW-16266-25-63 | Clamp                | 7-7      |
| LW-14820 | Ring             | 1-6      | LW-16266-25-63 | Clamp                | 7-11     |
| LW-14910 | Coupling         | 4-1      | LW-16266-25-75 | Clamp                | 7-9      |
| LW-14954 | Bearing          | 3-3      | LW-163005-2    | Magneto              | 4-1      |
| LW-14970 | Camshaft         | 1-6      | LW-163005-11   | Magneto              | 4-1      |
| LW-14995 | Spring           | 3-5      | LW-163045-3    | Magneto              | 4-1      |
| LW-14995 | Spring           | 3-5A     | LW-16475       | Seat                 | 3-5      |
| LW-15394 | Fitting          | 6-2      | LW-16475       | Seat                 | 3-5A     |
| LW-15416 | Adapter Assy.    | 4-1      | LW-16562       | Nipple               | 6-9      |
| LW-15473 | Fuel Pump        | 2-15     | LW-16562       | Nipple               | 6-11     |
| LW-15506 | Fuel Pump        | 2-15     | LW-16562       | Nipple               | 6-12     |
| LW-15533 | Manifold Assy.   | 6-5      | LW-16591       | Mag. & Harness Assy. | 4-7      |
| LW-15571 | Starter          | 5-5      | LW-17160       | Crankshaft Assy.     | 1-5      |
| LW-15572 | Starter          | 5-5      | LW-17166       | Crankshaft Assy.     | 1-5      |
| LW-15573 | Starter          | 5-5      | LW-17168       | Crankshaft Assy.     | 1-5      |



**NUMERICAL INDEX (CONT.)**

| PART NO.    | PART NAME              | PAGE NO. | PART NO.      | PART NAME         | PAGE NO. |
|-------------|------------------------|----------|---------------|-------------------|----------|
| LW-17170    | Crankshaft Assy.       | 1-5      | LW-349365-9   | Magneto           | 4-3      |
| LW-17171    | Crankshaft Assy.       | 1-5      | LW-349365-10  | Magneto           | 4-3      |
| LW-17173    | Crankshaft Assy.       | 1-5      | LW-382555-13  | Magneto           | 4-5      |
| LW-17246    | Crankshaft Assy.       | 1-5      | LW-382698     | Kit               | 4-5      |
| LW-17249    | Crankshaft Assy.       | 1-5      | LW-385124-111 | Magneto           | 4-5      |
| LW-17250    | Crankshaft Assy.       | 1-5      | LW-385124-124 | Magneto           | 4-5      |
| LW-17254    | Crankshaft Assy.       | 1-5      | LW-51360-29   | Magneto           | 4-3      |
| LW-17273    | Cr'shft. & Cw't. Assy. | 1-5      | LW-51360-54   | Magneto           | 4-3      |
| LW-17276    | Cr'shft. & Cw't. Assy. | 1-5      | LW-52305-1    | Magneto Kit Assy. | 4-3      |
| LW-17277    | Cr'shft. & Cw't. Assy. | 1-5      | LW-682605-13  | Magneto           | 4-5      |
| LW-17281    | Cr'shft. & Cw't. Assy. | 1-5      | LW-684400-303 | Harness           | 4-5      |
| LW-18023    | Crankcase Assy.        | 1-1      | LW-684409-102 | Harness           | 4-5      |
| LW-18038    | Gasket                 | 7-9      | LW-684409-106 | Harness           | 4-5      |
| LW-18047    | Starter                | 5-5      | LW-684412-106 | Harness           | 4-5      |
| LW-18108    | Impeller               | 2-7      | LW-685144-112 | Magneto           | 4-5      |
| LW-18109    | Impeller               | 2-7      | LW-685144-114 | Magneto           | 4-5      |
| LW-18110    | Impeller Assy.         | 2-7      | LW-720410-3   | Harness Assy.     | 4-13     |
| LW-18111    | Fuel Injector          | 6-5      | LW-720510-1   | Harness Assy.     | 4-13     |
| LW-18265    | Nozzle                 | 6-5      | LW-720510-4   | Harness Assy.     | 4-13     |
| LW-18265    | Nozzle                 | 6-7      | LW-M-2375     | Plate             | 4-9      |
| LW-18267    | Nozzle Assy.           | 6-5      | LW-M-2375     | Plate             | 4-11     |
| LW-18267    | Nozzle Assy.           | 6-7      | LW-M-2403     | Harness Assy.     | 4-11     |
| LW-18661    | Seal                   | 3-5      | LW-M-2404     | Harness Assy.     | 4-11     |
| LW-18661    | Seal                   | 3-5A     | LW-M-2409     | Harness Assy.     | 4-11     |
| LW-19047    | Cylinder & Head Assy.  | 3-1      | LW-M-2410     | Harness Assy.     | 4-11     |
| LW-19296    | Gasket                 | 3-8      | LW-M-2412     | Harness Assy.     | 4-11     |
| LW-19296    | Gasket                 | 3-8B     | LW-M-2413     | Harness Assy.     | 4-11     |
| LW-25-.50   | Bolt                   | 6-6      | LW-M-2424     | Harness Assy.     | 4-11     |
| LW-25-.50   | Bolt                   | 6-8      | LW-M-2425     | Harness Assy.     | 4-11     |
| LW-25-0.75  | Bolt                   | 2-9      | LW-M-2427     | Harness Assy.     | 4-9      |
| LW-25-0.75  | Bolt                   | 6-11     | LW-M-2428     | Harness Assy.     | 4-9      |
| LW-25-0.94  | Bolt                   | 6-1      | M-1735-23     | Lead Assy.        | 4-7      |
| LW-25-0.94  | Bolt                   | 6-1A     | M-1735-26     | Lead Assy.        | 4-7      |
| LW-25-1.13  | Bolt                   | 6-1      | M-1735-32     | Lead Assy.        | 4-7      |
| LW-25-1.13  | Bolt                   | 6-1A     | M-1735-33     | Lead Assy.        | 4-7      |
| LW-25-1.25  | Bolt                   | 6-1      | M-1735-35     | Lead Assy.        | 4-7      |
| LW-25-1.25  | Bolt                   | 6-1A     | M-1735-39     | Lead Assy.        | 4-7      |
| LW-31H.75   | Bolt                   | 5-1      | M-1735-41     | Lead Assy.        | 4-7      |
| LW-31-1.88  | Bolt                   | 2-15     | M-1867-72     | Lead Assy.        | 4-9      |
| LW-349235-3 | Magneto                | 4-1      | M-1869-48     | Lead Assy.        | 4-9      |
| LW-349235-4 | Magneto                | 4-1      | M-1985-48     | Lead Assy.        | 4-12     |
| LW-349285-1 | Magneto                | 4-1      | M-1985-72     | Lead Assy.        | 4-12     |
| LW-349285-7 | Magneto                | 4-1      | MS124703      | Insert            | 2-1      |
| LW-349305-1 | Magneto                | 4-1      | MS16625-1081  | Ring              | 1-8      |
| LW-349305-1 | Magneto                | 4-3      | MS16625-1100  | Ring              | 2-9      |
| LW-349305-3 | Magneto                | 4-3      | MS20500-624   | Nut               | 7-1      |
| LW-349365-3 | Magneto                | 4-3      | MS20500-624   | Nut               | 7-3      |
| LW-349365-6 | Magneto                | 4-3      | MS20822-4     | Elbow             | 6-5      |

**NUMERICAL INDEX (CONT.)**

| PART NO.    | PART NAME | PAGE NO. | PART NO. | PART NAME | PAGE NO. |
|-------------|-----------|----------|----------|-----------|----------|
| MS20822-6   | Elbow     | 2-3      | STD-82   | Screw     | 6-8      |
| MS20822-6   | Elbow     | 2-5      | STD-91   | Plug      | 6-1      |
| MS20822-6   | Elbow     | 6-9      | STD-91   | Plug      | 6-1A     |
| MS20822-6-6 | Elbow     | 2-11     | STD-95   | Key       | 2-5      |
| MS20822-6-6 | Elbow     | 7-7      | STD-148  | Nipple    | 6-5      |
| MS20823-4   | Elbow     | 6-5      | STD-148  | Nipple    | 6-7      |
| MS20823-4   | Elbow     | 7-11     | STD-148  | Nipple    | 6-8      |
| MS20823-6   | Elbow     | 2-15     | STD-160  | Washer    | 1-12     |
| MS20823-8   | Elbow     | 2-11     | STD-160  | Washer    | 2-5      |
| MS20823-6D  | Elbow     | 3-1      | STD-160  | Washer    | 2-7      |
| MS21919G7   | Clip      | 4-9      | STD-160  | Washer    | 2-9      |
| MS21919-G12 | Clip      | 4-9      | STD-160  | Washer    | 2-13     |
| MS29512-4   | Seal      | 6-5      | STD-160  | Washer    | 3-7      |
| MS29512-4   | Seal      | 6-7      | STD-160  | Washer    | 3-8A     |
| MS29512-6   | Seal      | 6-7      | STD-160  | Washer    | 4-11     |
| MS29512-8   | Seal      | 7-9      | STD-160  | Washer    | 6-1      |
| MS29512-10  | Seal      | 2-11     | STD-160  | Washer    | 6-1A     |
| STD-8       | Washer    | 1-12     | STD-160  | Washer    | 6-3      |
| STD-8       | Washer    | 2-5      | STD-160  | Washer    | 6-6      |
| STD-8       | Washer    | 2-7      | STD-160  | Washer    | 6-8      |
| STD-8       | Washer    | 2-9      | STD-160  | Washer    | 6-11     |
| STD-8       | Washer    | 2-13     | STD-160  | Washer    | 7-5      |
| STD-8       | Washer    | 4-9      | STD-160  | Washer    | 7-9      |
| STD-8       | Washer    | 4-11     | STD-208  | Seal      | 2-13     |
| STD-8       | Washer    | 6-1      | STD-213  | Seal      | 2-15     |
| STD-8       | Washer    | 6-1A     | STD-251  | Washer    | 3-10     |
| STD-8       | Washer    | 6-3      | STD-251  | Washer    | 4-13     |
| STD-8       | Washer    | 6-11     | STD-251  | Washer    | 6-6      |
| STD-8       | Washer    | 7-5      | STD-251  | Washer    | 6-8      |
| STD-19      | Dowel     | 1-10     | STD-294  | Gasket    | 2-9      |
| STD-28      | Washer    | 7-5      | STD-294  | Gasket    | 2-11     |
| STD-33      | Washer    | 1-12     | STD-425  | Washer    | 1-3      |
| STD-33      | Washer    | 2-15     | STD-425  | Washer    | 4-9      |
| STD-33      | Washer    | 7-9      | STD-425  | Washer    | 4-11     |
| STD-35      | Washer    | 1-10     | STD-425  | Washer    | 6-9      |
| STD-35      | Washer    | 2-3      | STD-425  | Washer    | 6-11     |
| STD-35      | Washer    | 2-5      | STD-425  | Washer    | 6-12     |
| STD-35      | Washer    | 2-7      | STD-425  | Washer    | 7-7      |
| STD-35      | Washer    | 2-15     | STD-425  | Washer    | 7-9      |
| STD-35      | Washer    | 3-8      | STD-475  | Washer    | 1-10     |
| STD-35      | Washer    | 3-8B     | STD-475  | Washer    | 2-3      |
| STD-35      | Washer    | 5-1      | STD-475  | Washer    | 2-5      |
| STD-35      | Washer    | 5-5      | STD-475  | Washer    | 2-15     |
| STD-35      | Washer    | 6-5      | STD-475  | Washer    | 3-8      |
| STD-35      | Washer    | 6-7      | STD-475  | Washer    | 3-8B     |
| STD-35      | Washer    | 7-11     | STD-475  | Washer    | 4-1      |
| STD-68      | Pin       | 5-1      | STD-475  | Washer    | 4-3      |
| STD-82      | Screw     | 6-6      | STD-475  | Washer    | 4-5      |

**NUMERICAL INDEX (CONT.)**

| PART NO. | PART NAME | PAGE NO. | PART NO. | PART NAME | PAGE NO. |
|----------|-----------|----------|----------|-----------|----------|
| STD-475  | Washer    | 4-7      | STD-921  | Screw     | 6-11     |
| STD-475  | Washer    | 5-5      | STD-949  | Bushing   | 7-7      |
| STD-475  | Washer    | 6-7      | STD-969  | Screw     | 4-13     |
| STD-475  | Washer    | 7-11     | STD-1002 | Ring      | 2-5      |
| STD-514  | Dowel     | 1-1      | STD-1006 | Ring      | 2-5      |
| STD-551  | Plug      | 6-1      | STD-1045 | Gasket    | 1-3      |
| STD-551  | Plug      | 6-1A     | STD-1065 | Dowel     | 1-5      |
| STD-553  | Screw     | 4-11     | STD-1084 | Screw     | 6-9      |
| STD-557  | Dowel     | 1-1      | STD-1204 | Bolt      | 2-7      |
| STD-596  | Nut       | 1-12     | STD-1204 | Bolt      | 7-5      |
| STD-665  | Screw     | 7-9      | STD-1211 | Plug      | 1-5      |
| STD-670  | Nut       | 3-10     | STD-1215 | Bolt      | 2-7      |
| STD-670  | Nut       | 4-9      | STD-1215 | Bolt      | 4-11     |
| STD-670  | Nut       | 4-11     | STD-1215 | Bolt      | 6-3      |
| STD-670  | Nut       | 6-9      | STD-1221 | Ring      | 1-10     |
| STD-670  | Nut       | 6-11     | STD-1227 | Washer    | 2-7      |
| STD-670  | Nut       | 6-12     | STD-1339 | Plug      | 1-1      |
| STD-670  | Nut       | 6-13     | STD-1339 | Plug      | 2-1      |
| STD-670  | Nut       | 7-7      | STD-1339 | Plug      | 2-7      |
| STD-670  | Nut       | 7-9      | STD-1339 | Plug      | 6-13     |
| STD-673  | Nut       | 6-9      | STD-1373 | Insert    | 6-7      |
| STD-678  | Washer    | 1-12     | STD-1409 | Nut       | 1-12     |
| STD-678  | Washer    | 7-9      | STD-1409 | Nut       | 2-7      |
| STD-684  | Nipple    | 3-10     | STD-1410 | Nut       | 1-10     |
| STD-690  | Washer    | 5-1      | STD-1410 | Nut       | 2-3      |
| STD-692  | Screw     | 3-10     | STD-1410 | Nut       | 2-5      |
| STD-692  | Screw     | 4-9      | STD-1410 | Nut       | 2-15     |
| STD-692  | Screw     | 4-11     | STD-1410 | Nut       | 3-8      |
| STD-692  | Screw     | 6-9      | STD-1410 | Nut       | 3-8B     |
| STD-692  | Screw     | 6-11     | STD-1410 | Nut       | 4-1      |
| STD-696  | Washer    | 4-9      | STD-1410 | Nut       | 4-3      |
| STD-696  | Washer    | 4-11     | STD-1410 | Nut       | 4-5      |
| STD-696  | Washer    | 4-13     | STD-1410 | Nut       | 4-7      |
| STD-713  | Pin       | 5-1      | STD-1410 | Nut       | 5-5      |
| STD-761  | Pin       | 4-7      | STD-1410 | Nut       | 6-5      |
| STD-783  | Plug      | 1-10     | STD-1410 | Nut       | 6-7      |
| STD-783  | Plug      | 2-1      | STD-1411 | Nut       | 1-12     |
| STD-784  | Plug      | 2-1      | STD-1411 | Nut       | 2-5      |
| STD-784  | Plug      | 2-11     | STD-1411 | Nut       | 2-9      |
| STD-798  | Dowel     | 1-10     | STD-1411 | Nut       | 2-13     |
| STD-847  | Screw     | 1-6      | STD-1411 | Nut       | 3-5      |
| STD-860  | Screw     | 6-9      | STD-1411 | Nut       | 3-5A     |
| STD-860  | Screw     | 6-11     | STD-1411 | Nut       | 3-7      |
| STD-860  | Screw     | 6-12     | STD-1411 | Nut       | 3-8A     |
| STD-860  | Screw     | 6-13     | STD-1411 | Nut       | 4-11     |
| STD-860  | Screw     | 7-7      | STD-1411 | Nut       | 6-1      |
| STD-872  | Nut       | 1-12     | STD-1411 | Nut       | 6-1A     |
| STD-872  | Nut       | 5-1      | STD-1411 | Nut       | 6-11     |

**NUMERICAL INDEX (CONT.)**

| PART NO. | PART NAME | PAGE NO. | PART NO.      | PART NAME     | PAGE NO. |
|----------|-----------|----------|---------------|---------------|----------|
| STD-1411 | Nut       | 7-9      | STD-1908      | Washer        | 6-6      |
| STD-1414 | Bolt      | 1-12     | STD-1916      | Screw         | 3-8      |
| STD-1414 | Bolt      | 2-7      | STD-1916      | Screw         | 3-8B     |
| STD-1416 | Bolt      | 1-12     | STD-1916      | Screw         | 6-11     |
| STD-1419 | Bolt      | 1-12     | STD-1925      | Screw         | 3-7      |
| STD-1419 | Bolt      | 7-9      | STD-1925      | Screw         | 3-8      |
| STD-1420 | Nut       | 2-7      | STD-1925      | Screw         | 3-8A     |
| STD-1420 | Nut       | 5-1      | STD-1925      | Screw         | 3-8B     |
| STD-1420 | Nut       | 5-5      | STD-1925      | Screw         | 6-13     |
| STD-1623 | Insert    | 1-1      | STD-1930      | Hose          | 2-3      |
| STD-1646 | Bolt      | 1-12     | STD-1930      | Hose          | 2-5      |
| STD-1663 | Hose      | 7-9      | STD-1931      | Bolt          | 2-7      |
| STD-1667 | Ring      | 2-5      | STD-1932      | Bushing       | 7-1      |
| STD-1685 | Nut       | 7-9      | STD-1946      | Bolt          | 7-9      |
| STD-1685 | Nut       | 7-11     | STD-2043      | Nut           | 7-1      |
| STD-1686 | Screw     | 3-10     | STD-2044      | Nut           | 4-9      |
| STD-1727 | Washer    | 4-1      | STD-2049      | Nut           | 6-1      |
| STD-1727 | Washer    | 4-3      | STD-2049      | Nut           | 6-1A     |
| STD-1727 | Washer    | 4-7      | STD-2060      | Bolt          | 7-3      |
| STD-1727 | Washer    | 5-1      | STD-2078      | Dowel         | 1-5      |
| STD-1727 | Washer    | 5-5      | STD-2084      | Bolt          | 1-12     |
| STD-1763 | Locknut   | 6-5      | STD-2090      | Nut           | 3-8      |
| STD-1763 | Locknut   | 6-7      | STD-2090      | Nut           | 3-8B     |
| STD-1774 | Pin       | 2-3      | STD-2150      | Bolt          | 2-7      |
| STD-1774 | Pin       | 2-13     | STD-2156      | Bolt          | 5-5      |
| STD-1774 | Pin       | 2-15     | STD-2166      | Elbow         | 6-5      |
| STD-1815 | Nut       | 7-3      | STD-2166      | Elbow         | 6-7      |
| STD-1821 | Hose      | 3-10     | STD-2167      | Screw         | 1-8      |
| STD-1838 | Bolt      | 2-3      | STD-2168      | Nut           | 1-8      |
| STD-1838 | Bolt      | 2-5      | STD-2180      | Hose          | 3-10     |
| STD-1838 | Bolt      | 5-1      | 06E19769-1.00 | Gasket        | 6-1      |
| STD-1851 | Bolt      | 5-1      | 06E19769-1.00 | Gasket        | 6-1A     |
| STD-1856 | Screw     | 2-9      | 10-620039-58  | Lead Assy.    | 4-5      |
| STD-1872 | Insert    | 3-1      | 10-620039-72  | Lead Assy.    | 4-5      |
| STD-1874 | Screw     | 4-9      | 10-620039-74  | Lead Assy.    | 4-5      |
| STD-1874 | Screw     | 4-11     | 10-620039-100 | Lead Assy.    | 4-5      |
| STD-1874 | Screw     | 4-13     | 10-620039-104 | Lead Assy.    | 4-5      |
| STD-1875 | Bolt      | 2-7      | 10-620044-84  | Lead Assy.    | 4-5      |
| STD-1882 | Screw     | 2-15     | 10-720631-48  | Lead Assy.    | 4-5      |
| STD-1889 | Bolt      | 5-5      | 10-720631-78  | Lead Assy.    | 4-5      |
| STD-1896 | Screw     | 7-5      | 10-720632-48  | Lead Assy.    | 4-13     |
| STD-1901 | Stud      | 6-1      | 10-720633-48  | Lead Assy.    | 4-5      |
| STD-1901 | Stud      | 6-1A     | 10-720633-78  | Lead Assy.    | 4-5      |
| STD-1902 | Bolt      | 6-7      | 15B21201      | Spring        | 3-5      |
| STD-1902 | Bolt      | 7-11     | 15B21201      | Spring        | 3-5A     |
| STD-1904 | Bolt      | 2-7      | 15B21319      | Socket        | 3-5      |
| STD-1905 | Bolt      | 2-7      | 15B21319      | Socket        | 3-5A     |
| STD-1907 | Screw     | 6-5      | 15B26066      | Plunger Assy. | 3-5      |

**NUMERICAL INDEX (CONT.)**

| PART NO.    | PART NAME     | PAGE NO. | PART NO. | PART NAME    | PAGE NO. |
|-------------|---------------|----------|----------|--------------|----------|
| 15B26066    | Plunger Assy. | 3-5A     | 17F21188 | Rocker Assy. | 3-8A     |
| 15F19957-34 | Rod Assy.     | 3-7      | 25C-8    | Stud         | 3-5      |
| 15F19957-34 | Rod Assy.     | 3-8A     | 25C-9    | Stud         | 3-1      |
| 15F19957-35 | Rod Assy.     | 3-7      | 25C-10   | Stud         | 2-9      |
| 15F19957-35 | Rod Assy.     | 3-8A     | 25C-10   | Stud         | 6-1      |
| 15F19957-36 | Rod Assy.     | 3-7      | 25C-10   | Stud         | 6-1A     |
| 15F19957-36 | Rod Assy.     | 3-8A     | 25C-12   | Stud         | 2-1      |
| 15F19957-37 | Rod Assy.     | 3-7      | 25C-22   | Stud         | 2-1      |
| 15F19957-37 | Rod Assy.     | 3-8A     | 31C-12   | Stud         | 1-1      |
| 15F19957-55 | Rod Assy.     | 3-7      | 31C-12   | Stud         | 2-1      |
| 15F19957-55 | Rod Assy.     | 3-8A     | 31C-12   | Stud         | 3-1      |
| 15F19957-56 | Rod Assy.     | 3-7      | 31C-12   | Stud         | 6-1      |
| 15F19957-56 | Rod Assy.     | 3-8A     | 31C-12   | Stud         | 6-1A     |
| 15F19957-57 | Rod Assy.     | 3-7      | 31C-12   | Stud         | 6-7      |
| 15F19957-57 | Rod Assy.     | 3-8A     | 31C-13   | Stud         | 1-1      |
| 15F19957-58 | Rod Assy.     | 3-7      | 31C-13   | Stud         | 2-1      |
| 15F19957-58 | Rod Assy.     | 3-8A     | 31C-13   | Stud         | 3-1      |
| 15F21362-19 | Rod Assy.     | 3-7      | 31C-14   | Stud         | 1-1      |
| 15F21362-19 | Rod Assy.     | 3-8A     | 31C-14   | Stud         | 2-3      |
| 15F21362-20 | Rod Assy.     | 3-7      | 31C-14   | Stud         | 2-5      |
| 15F21362-20 | Rod Assy.     | 3-8A     | 31C-14   | Stud         | 6-1      |
| 15F21362-21 | Rod Assy.     | 3-7      | 31C-14   | Stud         | 6-1A     |
| 15F21362-21 | Rod Assy.     | 3-8A     | 31C-14   | Stud         | 6-7      |
| 15F21362-22 | Rod Assy.     | 3-7      | 31C-15   | Stud         | 6-7      |
| 15F21362-22 | Rod Assy.     | 3-8A     | 31C-16   | Stud         | 1-1      |
| 15F21362-23 | Rod Assy.     | 3-7      | 31C-16   | Stud         | 2-1      |
| 15F21362-23 | Rod Assy.     | 3-8A     | 31C-16   | Stud         | 2-3      |
| 17A23937    | Valve         | 3-5      | 31C-17   | Stud         | 6-1      |
| 17A23937    | Valve         | 3-5A     | 31C-17   | Stud         | 6-1A     |
| 17A23938    | Valve         | 3-5      | 31C-18   | Stud         | 2-1      |
| 17A23938    | Valve         | 3-5A     | 31C-19   | Stud         | 2-1      |
| 17A23943    | Valve         | 3-5      | 31C-22   | Stud         | 6-1      |
| 17A23943    | Valve         | 3-5A     | 31C-22   | Stud         | 6-1A     |
| 17A23946    | Valve         | 3-5      | 31C-24   | Stud         | 1-1      |
| 17A23946    | Valve         | 3-5A     | 31C-24   | Stud         | 6-1      |
| 17B23935    | Valve         | 3-5      | 31C-24   | Stud         | 6-1A     |
| 17B23935    | Valve         | 3-5A     | 31C-27   | Stud         | 6-1      |
| 17B23936    | Valve         | 3-5      | 31C-27   | Stud         | 6-1A     |
| 17B23936    | Valve         | 3-5A     | 31C-35   | Stud         | 1-1      |
| 17C19386    | Cap           | 3-5      | 31CD-12  | Stud         | 1-1      |
| 17C19386    | Cap           | 3-5A     | 31CD-17  | Stud         | 2-1      |
| 17C21191    | Key           | 3-5      | 31CD-22  | Stud         | 2-1      |
| 17C21191    | Key           | 3-5A     | 38-13    | Stud         | 1-1      |
| 17F19357    | Rocker Assy.  | 3-7      | 38-22    | Stud         | 1-1      |
| 17F19357    | Rocker Assy.  | 3-8A     | 38D-17   | Stud         | 1-1      |
| 17F21187    | Rocker Assy.  | 3-7      | 50-15    | Stud         | 1-1      |
| 17F21187    | Rocker Assy.  | 3-8A     | 383-B    | Nut          | 3-8      |
| 17F21188    | Rocker Assy.  | 3-7      | 383-B    | Nut          | 3-8B     |

**NUMERICAL INDEX (CONT.)**

| PART NO.  | PART NAME     | PAGE NO. | PART NO. | PART NAME     | PAGE NO. |
|-----------|---------------|----------|----------|---------------|----------|
| 1028-B    | Ball          | 1-3      | 61166    | Thrust Button | 2-13     |
| 1102      | Plug          | 1-1      | 61166    | Thrust Button | 2-15     |
| 1102      | Plug          | 1-5      | 61173    | Gasket        | 2-9      |
| 1102      | Plug          | 2-1      | 61174    | Shaft         | 2-7      |
| 1102      | Plug          | 2-3      | 61183    | Gasket        | 2-13     |
| 1102      | Plug          | 3-1      | 61247    | Cover         | 3-7      |
| 1102      | Plug          | 6-1      | 61247    | Cover         | 3-8A     |
| 1102      | Plug          | 6-1A     | 61260    | Flange        | 3-8      |
| 1102      | Plug          | 6-4      | 61260    | Flange        | 3-8B     |
| 1102      | Plug          | 6-5      | 61400    | Stud          | 2-1      |
| 1102      | Plug          | 6-8      | 61400    | Stud          | 6-1      |
| 1182-B3   | Spark Plug    | 4-7      | 61400    | Stud          | 6-1A     |
| 1182-D4   | Spark Plug    | 4-5      | 61503    | Sleeve        | 3-5      |
| 1182-G6   | Spark Plug    | 4-5      | 61503    | Sleeve        | 3-5A     |
| 1182-J3   | Spark Plug    | 4-11     | 61510    | Plug          | 1-5      |
| 1182-J3   | Spark Plug    | 4-13     | 61544    | Plunger       | 1-8      |
| 1182-K4   | Spark Plug    | 4-9      | 61548    | Nameplate     | 6-1      |
| 1182-N3   | Spark Plug    | 4-11     | 61548    | Nameplate     | 6-1A     |
| 1182-N3   | Spark Plug    | 4-13     | 61665    | Gear          | 4-3      |
| 1182-N4   | Spark Plug    | 4-13     | 61665    | Gear          | 4-7      |
| 1182-Q5   | Spark Plug    | 4-11     | 62224    | Gasket        | 4-1      |
| 1182-U5   | Spark Plug    | 4-5      | 62224    | Gasket        | 4-3      |
| 1540      | Plug          | 2-11     | 62224    | Gasket        | 4-7      |
| 8313      | Gasket        | 2-13     | 62388    | Cap           | 3-5      |
| 50004-018 | "O" Ring      | 6-2      | 62388    | Cap           | 3-5A     |
| 50004-027 | "O" Ring      | 6-2      | 62417    | Plug          | 2-11     |
| 50004-111 | "O" Ring      | 6-2      | 62817    | Screen Assy.  | 2-9      |
| 57A21009  | Separator     | 6-2      | 62833    | Regulator     | 5-3      |
| 57B19829  | Valve         | 6-2      | 65007    | Retainer      | 1-1      |
| 60009     | Key           | 3-5      | 65441    | Seat          | 3-5      |
| 60009     | Key           | 3-5A     | 65441    | Seat          | 3-5A     |
| 60028     | Guide         | 3-1      | 65614    | Plug          | 3-10     |
| 60096     | Gasket        | 2-15     | 65614    | Plug          | 4-13     |
| 60430     | Cover         | 2-13     | 66224    | Gasket        | 6-5      |
| 60733     | Shim          | 7-3      | 66224    | Gasket        | 6-7      |
| 60746     | Impeller      | 2-7      | 66610    | Bushing       | 3-1      |
| 60803     | Strap         | 1-12     | 66670    | Bushing       | 3-1      |
| 60828     | Plug          | 3-3      | 66713    | Guide         | 3-1      |
| 60886     | Belt          | 5-3      | 66728    | Washer        | 3-5      |
| 61084     | Spring        | 1-3      | 66728    | Washer        | 3-5A     |
| 61098     | Adapter Assy. | 2-13     | 66732    | Gasket        | 3-7      |
| 61155     | Gear          | 1-6      | 66732    | Gasket        | 3-8A     |
| 61156     | Lockplate     | 1-6      | 66796    | Insert        | 3-1      |
| 61163     | Gear          | 4-1      | 67193    | Gasket        | 3-7      |
| 61163     | Gear          | 4-3      | 67193    | Gasket        | 3-8A     |
| 61163     | Gear          | 4-7      | 67195    | Flange        | 3-8      |
| 61166     | Thrust Button | 2-7      | 67195    | Flange        | 3-8B     |

**NUMERICAL INDEX (CONT.)**

| PART NO. | PART NAME     | PAGE NO. | PART NO. | PART NAME         | PAGE NO. |
|----------|---------------|----------|----------|-------------------|----------|
| 68129    | Gasket        | 6-7      | 71744    | Generator         | 5-3      |
| 68315    | Gasket        | 2-3      | 71745    | Regulator         | 5-3      |
| 68317    | Shaftgear     | 1-10     | 71894    | Seat              | 3-1      |
| 68484    | Tube          | 1-5      | 71903    | Bushing           | 1-6      |
| 68593    | Spacer        | 2-13     | 71907    | Washer            | 1-6      |
| 68759    | Tube Assy.    | 3-10     | 71910    | Clamp             | 4-11     |
| 68760    | Tube Assy.    | 3-10     | 71973    | Gasket            | 6-3      |
| 68761    | Tube Assy.    | 3-10     | 72050    | Key               | 3-5      |
| 68767    | Generator     | 5-3      | 72050    | Key               | 3-5A     |
| 68795    | Cover Assy.   | 3-7      | 72053    | Gasket            | 1-10     |
| 68795    | Cover Assy.   | 3-8A     | 72053    | Gasket            | 2-3      |
| 69106    | Cover         | 1-10     | 72057    | Seat              | 3-1      |
| 69159    | Adapter Assy. | 2-15     | 72058    | Seat              | 3-1      |
| 69164    | Gasket        | 2-15     | 72059    | Gasket            | 1-3      |
| 69260    | Insert        | 3-1      | 72060    | Bushing           | 1-5      |
| 69335    | Plug          | 6-1      | 72061    | Bushing           | 1-5      |
| 69335    | Plug          | 6-1A     | 72062    | Bushing           | 1-6      |
| 69510    | Housing       | 2-9      | 72074    | Bushing           | 1-5      |
| 69532    | Seat          | 3-5      | 72075    | Seal              | 1-3      |
| 69532    | Seat          | 3-5A     | 72091    | Ring              | 1-3      |
| 69551    | Gasket        | 1-10     | 72158    | Bushing           | 1-1      |
| 69602    | Connection    | 6-1      | 72205    | Regulator         | 5-3      |
| 69602    | Connection    | 6-1A     | 72212    | Seat              | 3-1      |
| 69603    | Hose          | 6-3      | 72231    | Gear Assy.        | 2-15     |
| 69675    | Connector     | 2-11     | 72255    | Shroud Tube Assy. | 3-5      |
| 69796    | Dowel         | 1-1      | 72255    | Shroud Tube Assy. | 3-5A     |
| 70003    | Pipe          | 6-3      | 72312    | Ring              | 1-3      |
| 70310    | Seal          | 3-5      | 72343    | Stabilizer        | 3-1      |
| 70310    | Seal          | 3-5A     | 72344    | Stabilizer        | 3-1      |
| 70419    | Bracket       | 5-1      | 72351    | Screw             | 4-9      |
| 70455    | Gasket        | 1-10     | 72351    | Screw             | 4-11     |
| 70484    | Screen        | 6-1      | 72376    | Elbow             | 7-5      |
| 70484    | Screen        | 6-1A     | 72376    | Elbow             | 7-11     |
| 70485    | Pipe          | 6-3      | 72377    | Elbow             | 6-11     |
| 71140    | Fitting       | 2-11     | 72377    | Elbow             | 6-12     |
| 71481    | Ring          | 3-8      | 72377    | Elbow             | 7-7      |
| 71481    | Ring          | 3-8B     | 72377    | Elbow             | 7-11     |
| 71549    | Washer        | 3-7      | 72378    | Cover             | 1-10     |
| 71549    | Washer        | 3-8A     | 72378    | Cover             | 2-3      |
| 71596    | Washer        | 1-10     | 72390    | Elbow             | 7-9      |
| 71596    | Washer        | 2-3      | 72413    | Fitting           | 2-11     |
| 71596    | Washer        | 2-13     | 72495    | Gear              | 4-1      |
| 71610    | Hook          | 3-10     | 72566    | Gear              | 1-3      |
| 71611    | Retainer      | 3-10     | 72626    | Shaft             | 3-7      |
| 71620    | Bolt          | 2-11     | 72626    | Shaft             | 3-8A     |
| 71623    | Washer        | 2-11     | 72702    | Tube Assy.        | 3-10     |
| 71712    | Pipe          | 6-3      | 72703    | Tube Assy.        | 3-10     |
| 71713    | Pipe          | 6-3      | 72710    | Cover             | 3-7      |

**NUMERICAL INDEX (CONT.)**

| PART NO. | PART NAME           | PAGE NO. | PART NO. | PART NAME        | PAGE NO. |
|----------|---------------------|----------|----------|------------------|----------|
| 72710    | Cover               | 3-8A     | 74070    | Elbow            | 6-11     |
| 72801    | Counterweight Assy. | 1-6      | 74117    | Bracket          | 7-9      |
| 72815    | Bracket             | 4-11     | 74139    | Adapter Assy.    | 6-3      |
| 72815    | Bracket             | 6-12     | 74230    | Guide            | 3-1      |
| 72834    | Cover               | 3-10     | 74241    | Ring             | 3-3      |
| 72877    | Body                | 1-3      | 74291    | Regulator        | 5-3      |
| 72962    | Thrust Button       | 2-13     | 74292    | Regulator        | 5-3      |
| 72970    | Gear Assy.          | 2-13     | 74323    | Strut            | 5-1      |
| 73027    | Tube Assy.          | 3-10     | 74324    | Bracket          | 5-1      |
| 73032    | Gasket              | 6-7      | 74325    | Link             | 5-1      |
| 73061    | Body                | 1-3      | 74389    | Bushing          | 3-7      |
| 73117    | Valve               | 3-5      | 74389    | Bushing          | 3-8A     |
| 73117    | Valve               | 3-5A     | 74494    | Plate            | 3-8      |
| 73136    | Bracket             | 6-9      | 74494    | Plate            | 3-8B     |
| 73136    | Bracket             | 6-10     | 74556    | Fuel Injector    | 6-5      |
| 73136    | Bracket             | 6-11     | 74597    | Bracket          | 6-5      |
| 73143    | Elbow               | 2-11     | 74598    | Bracket          | 6-5      |
| 73143    | Elbow               | 7-11     | 74636    | Rocker Assy.     | 3-7      |
| 73152    | Bracket             | 4-9      | 74636    | Rocker Assy.     | 3-8A     |
| 73152    | Bracket             | 6-9      | 74637    | Bushing          | 3-7      |
| 73152    | Bracket             | 6-11     | 74637    | Bushing          | 3-8A     |
| 73161    | Spacer              | 6-5      | 74661    | Relay            | 5-3      |
| 73161    | Spacer              | 6-7      | 74708    | Crankshaft Assy. | 1-5      |
| 73249    | Washer              | 1-10     | 74710    | Tube             | 1-5      |
| 73250    | Washer              | 1-10     | 74711    | Plug             | 1-5      |
| 73251    | Washer              | 1-10     | 74804    | Relay            | 5-3      |
| 73252    | Washer              | 1-10     | 74808    | Tube Assy.       | 3-10     |
| 73314    | Gasket              | 7-5      | 74842    | Spacer           | 6-5      |
| 73319    | Hose Assy.          | 7-11     | 74847    | Fuel Injector    | 6-7      |
| 73346    | Flange              | 6-3      | 74849    | Elbow Assy.      | 6-7      |
| 73383    | Lockplate           | 5-1      | 74880    | Alternator Assy. | 5-3      |
| 73772    | Nozzle Assy.        | 1-1      | 74887    | Spacer           | 3-8      |
| 73810    | Bushing             | 1-6      | 74887    | Spacer           | 3-8B     |
| 73818    | Gasket              | 2-1      | 74966    | Crankshaft Assy. | 1-5      |
| 73843    | Clamp               | 6-11     | 74996    | Gear Assy.       | 1-8      |
| 73857    | Ring                | 3-3      | 75009    | Bracket          | 6-5      |
| 73878    | Valve               | 3-5      | 75009    | Bracket          | 6-8      |
| 73937    | Fuel Injector       | 6-5      | 75030    | Support Assy.    | 1-3      |
| 73944    | Elbow               | 7-5      | 75061    | Bolt             | 3-3      |
| 73966    | Spacer              | 3-7      | 75072    | Gear Assy.       | 1-8      |
| 73966    | Spacer              | 3-8A     | 75084    | Tube Assy.       | 3-10     |
| 73966    | Spacer              | 6-5      | 75089    | Piston           | 3-3      |
| 73966    | Spacer              | 6-10     | 75095    | Divider          | 6-5      |
| 74065    | Ring                | 1-3      | 75095    | Divider          | 6-7      |
| 74068    | Ring                | 1-3      | 75118    | Gasket           | 3-8      |
| 74070    | Elbow               | 2-3      | 75118    | Gasket           | 3-8B     |
| 74070    | Elbow               | 2-5      | 75118    | Gasket           | 7-1      |
| 74070    | Elbow               | 6-9      | 75130    | Adapter Assy.    | 6-7      |



**NUMERICAL INDEX (CONT.)**

| PART NO. | PART NAME        | PAGE NO. | PART NO.        | PART NAME            | PAGE NO. |
|----------|------------------|----------|-----------------|----------------------|----------|
| 75149    | Tube Assy.       | 3-10     | 76143           | Housing Assy.        | 2-1      |
| 75153    | Adapter Assy.    | 2-3      | 76144           | Housing Assy.        | 2-1      |
| 75154    | Stud             | 1-1      | 76145           | Housing Assy.        | 2-1      |
| 75157    | Crankshaft Assy. | 1-5      | 76157           | Belt                 | 5-3      |
| 75165    | Clip             | 2-3      | 76165           | Alternator Assy.     | 5-3      |
| 75165    | Clip             | 2-5      | 76167           | Alternator Assy.     | 5-3      |
| 75166    | Tube Assy.       | 2-3      | 76220           | Stud                 | 1-12     |
| 75167    | Tube Assy.       | 2-3      | 76302           | Pump                 | 2-5      |
| 75220    | Alternator Assy. | 5-3      | 76255           | Tee                  | 7-11     |
| 75257    | Gage Assy.       | 1-3      | 76428           | Crankshaft Assy.     | 1-5      |
| 75278    | Manifold Assy.   | 6-5      | 76510           | Gasket               | 2-9      |
| 75278    | Manifold Assy.   | 6-7      | 76534           | Shim                 | 5-1      |
| 75279    | Manifold Assy.   | 6-5      | 76539           | Seat                 | 2-9      |
| 75280    | Manifold Assy.   | 6-5      | 76703           | Fuel Injector        | 6-5      |
| 75337    | Baffle Assy.     | 3-10     | 76734           | Zip Strap            | 4-7      |
| 75338    | Baffle Assy.     | 3-10     | 76734           | Zip Strap            | 4-9      |
| 75339    | Baffle Assy.     | 3-10     | 76734           | Zip Strap            | 4-11     |
| 75380    | Link             | 5-1      | 76772           | Hose                 | 6-13     |
| 75444    | Adapter Assy.    | 6-4      | 76808           | Sump Assy.           | 6-1      |
| 75447    | Nipple           | 6-5      | 76808           | Sump Assy.           | 6-1A     |
| 75447    | Nipple           | 6-8      | 76868           | Bracket              | 6-9      |
| 75545    | Adapter Assy.    | 2-3      | 76868           | Bracket              | 6-10     |
| 75560    | Bushing          | 1-5      | 76923-48S70-63  | Lead Assy.           | 4-11     |
| 75561    | Bushing          | 1-6      | 76923-48S90-63  | Lead Assy.           | 4-11     |
| 75608    | Flange           | 7-1      | 76923-48S90-63  | Lead Assy.           | 4-12     |
| 75686    | Elbow            | 6-12     | 76923-48S110-63 | Lead Assy.           | 4-11     |
| 75735    | Tube             | 1-3      | 76923-72S110-63 | Lead Assy.           | 4-11     |
| 75736    | Tube             | 1-3      | 76961           | Clamp                | 4-7      |
| 75739    | Nipple           | 2-3      | 77194           | Fuel Injector        | 6-7      |
| 75739    | Nipple           | 7-7      | 77309           | Bushing              | 1-8      |
| 75767    | Tube             | 1-3      | 77309           | Bushing              | 2-15     |
| 75838    | Guide            | 3-1      | 77410           | Bracket              | 4-11     |
| 75888    | Stud             | 2-1      | 77416           | Plug                 | 1-5      |
| 75906    | Gasket           | 3-7      | 77417           | Crankshaft Assy.     | 1-5      |
| 75906    | Gasket           | 3-8A     | 77443           | Fuel Pump            | 2-15     |
| 75924    | Shaftgear        | 2-15     | 77446           | Pipe                 | 7-1      |
| 75944    | Valve Assy.      | 2-9      | 77450           | Connecting Rod Assy. | 3-3      |
| 75965    | Clamp            | 4-1      | 77453           | Pipe                 | 7-1      |
| 75965    | Clamp            | 4-3      | 77455           | Pipe                 | 7-1      |
| 75965    | Clamp            | 4-5      | 77457           | Pipe                 | 7-1      |
| 76026    | Belt             | 5-3      | 77458           | Pipe                 | 7-1      |
| 76028    | Link             | 5-1      | 77459           | Pipe                 | 7-1      |
| 76097    | Camshaft         | 1-6      | 77478           | Strut                | 7-3      |
| 76110    | Housing Assy.    | 2-1      | 77479           | Strut                | 7-3      |
| 76111    | Housing Assy.    | 2-1      | 77480           | Strut                | 7-3      |
| 76118    | Spacer           | 1-8      | 77481           | Bracket              | 7-3      |
| 76119    | Shield           | 2-1      | 77499           | Transition Assy.     | 7-1      |
| 76121    | Shaft Assy.      | 1-8      | 77540           | Gasket               | 7-5      |

**NUMERICAL INDEX (CONT.)**

| PART NO. | PART NAME             | PAGE NO. | PART NO. | PART NAME        | PAGE NO. |
|----------|-----------------------|----------|----------|------------------|----------|
| 77516    | Housing Assy.         | 2-1      | 77920    | Fuel Injector    | 6-7      |
| 77528    | Sump Assy.            | 6-1      | 77926    | Tube Assy.       | 6-12     |
| 77528    | Sump Assy.            | 6-1A     | 77947    | Tube Assy.       | 7-11     |
| 77544    | Cylinder & Head Assy. | 3-1      | 77950    | Tube Assy.       | 7-7      |
| 77546    | Hose                  | 7-5      | 77955    | Sleeve           | 7-9      |
| 77547    | Bracket               | 6-8      | 77962    | Adapter          | 1-3      |
| 77548    | Manifold Assy.        | 6-7      | 77997    | Housing Assy.    | 2-1      |
| 77569    | Seal                  | 6-3      | 78025    | Bracket          | 6-13     |
| 77575    | Manifold              | 6-13     | 78059    | Relay            | 5-3      |
| 77578    | Manifold              | 6-13     | 78060    | Relay            | 5-3      |
| 77579    | Support Assy.         | 1-3      | 78067    | Elbow            | 2-15     |
| 77611    | Gasket                | 3-8      | 78073    | Lockplate        | 7-3      |
| 77611    | Gasket                | 3-8B     | 78077    | Flange           | 7-1      |
| 77670    | Shield                | 7-5      | 78084    | Gasket           | 7-1      |
| 77674    | Tube                  | 7-9      | 78126    | Tube Assy.       | 6-12     |
| 77675    | Tube                  | 7-9      | 78134    | Crankshaft Assy. | 1-5      |
| 77708    | Washer                | 2-5      | 78191    | Elbow            | 7-9      |
| 77720    | Adapter Assy.         | 2-5      | 78353    | Blanket          | 7-3      |
| 77743    | Harness Assy.         | 4-7      | 78368    | Pin              | 1-8      |
| 77745    | Harness Assy.         | 4-7      | 78528    | Body Assy.       | 2-7      |
| 77758    | Controller            | 7-5      | 78530    | Shaft            | 2-7      |
| 77775    | Tube Assy.            | 2-5      | 78626    | Tube Assy.       | 1-3      |
| 77808    | Valve Assy.           | 1-3      | 78741    | Pipe             | 6-3      |
| 77812    | Duct                  | 7-5      | 78742    | Pipe             | 6-3      |
| 77813    | Gasket                | 7-11     | 78743    | Pipe             | 6-3      |
| 77814    | Adapter               | 7-11     | 78744    | Pipe             | 6-3      |
| 77822    | Adapter Assy.         | 6-7      | 78805    | Manifold Assy.   | 6-7      |
| 77851    | Crankshaft Assy.      | 1-5      | 78844    | Hose             | 7-9      |
| 77852    | Base Assy.            | 2-9      | 78914    | Connection       | 6-1      |
| 77853    | Housing Assy.         | 2-9      | 78914    | Connection       | 6-1A     |
| 77872    | Bushing               | 1-10     | 78981    | Pipe             | 6-3      |
| 77874    | Gear Assy.            | 1-10     | 78982    | Pipe             | 6-3      |
| 77875    | Gear                  | 1-10     | 78983    | Pipe             | 6-3      |
| 77885    | Fuel Injector         | 6-7      | 78984    | Pipe             | 6-3      |
| 77895    | Elbow Assy.           | 6-7      | 79001    | Pipe             | 6-3      |
| 77911    | Valve                 | 7-1      | 79002    | Pipe             | 6-3      |
| 77915    | Elbow                 | 6-8      | 79004    | Pipe             | 6-3      |
| 77917    | Tee                   | 7-7      | 79028    | Tee              | 7-7      |

**Intentionally  
Left  
Blank**