

# IO-540-AE1A5 Series Illustrated Parts Catalog

---

August 2013

**PC-615-AE1A5** (Replaces PC-615-13)

---

**LYCOMING** © 2013

652 Oliver Street  
Williamsport, PA 17701

# IO-540-AE1A5 Series Illustrated Parts Catalog

---

August 2013

**PC-615-AE1A5** (Replaces PC-615-13)

---

**LYCOMING** © 2013

652 Oliver Street  
Williamsport, PA 17701

## **IO-540-AE1A5 Series Illustrated Parts Catalog**

Lycoming Part Number: PC-615-AE1A5 (Replaces PC-615-13)

©2013 by Avco Corporation. All Rights Reserved.

Lycoming and "Powered by Lycoming" are trademarks or registered trademarks of Lycoming.

Lycoming Engines is a division of Avco Corporation

All brand and product names referenced in this publication are trademarks or registered trademarks of their respective companies.

### **For additional information:**

#### **Mailing address:**

Lycoming Engines  
652 Oliver Street  
Williamsport, PA 17701 U.S.A.

#### **Phone:**

Factory: U.S. and Canada toll free - +1(800) 258-3279  
International Customers - +1(570) 323-6181  
Sales Department: +1(570) 327-7278  
Fax: +1(570) 327-7101

Lycoming's regular business hours are Monday through Friday from 8:00 A.M. through 5:00 P.M. Eastern Time (-5 GMT)

Visit us on the **World Wide Web** at:  
<http://www.lycoming.com>



This page intentionally left blank.

**LIST OF EFFECTIVE PAGES**

<u>Ch-Se-Su</u>	<u>Pages</u>	<u>Date</u>	<u>Ch-Se-Su</u>	<u>Pages</u>	<u>Date</u>
24-20.....	0-5.....	8/13	73-10 .....	54-59 .....	8/13
72-10.....	6-7.....	8/13	74-20 .....	60-63 .....	8/13
72-20.....	8-19.....	8/13	80-10 .....	64-65 .....	8/13
72-30.....	20-31.....	8/13	Service Kits.....	66-69 .....	8/13
72-50.....	32-43.....	8/13	Numerical Index...70-76 .....	8/13	
72-60.....	44-53.....	8/13			

This page intentionally left blank.

**TABLE OF CONTENTS**

<b><u>Subject</u></b>	<b><u>Ch-Se-Su</u></b>	<b><u>Page</u></b>	<b><u>Date</u></b>
<b>Frontal</b>			
Record of Revisions .....	iii	8/13	
List of Effective Pages.....	v	8/13	
Table of Contents.....	vii	8/13	
Introduction .....	ix	8/13	
Abbreviations and Acronyms.....	xiii	8/13	
Oversize and Undersize Part Listing .....	xv	8/13	
<b>Electrical Power</b> .....	<b>24-00</b>		
<b>AC Generation</b> .....	24-20		
1. Alternator-Attaching-Parts .....	0-1	8/13	
2. Alternator-Attaching-Parts .....	2-3	8/13	
3. Alternator-Attaching-Parts .....	4-5	8/13	
<b>Reciprocating Engine</b> .....	<b>72-00</b>		
<b>Front Section</b> .....	72-10		
1. Propeller-Governor-Drive.....	6-7	8/13	
<b>Power Section</b> .....	72-20		
1. Crankcase-Assembly.....	8-9	8/13	
2. Crankcase-Related-Parts .....	10-11	8/13	
3. Crankshaft-Assembly-and-Related-Parts.....	12-13	8/13	
4. Crankshaft-Idler-Gears, -Tachometer-Drive-and-Camshaft .....	14-15	8/13	
5. Crankshaft-Idler-Gears, -Tachometer-Drive-and-Camshaft .....	16-17	8/13	
6. Crankcase-Attaching-Parts.....	18-19	8/13	
<b>Cylinder Section</b> .....	72-30		
1. Connecting-Rods, -Pistons-and-Ring-Assemblies .....	20-21	8/13	
2. Cylinder-Assembly.....	22-23	8/13	
3. Valve-Assembly-and-Related-Parts .....	24-27	8/13	
4. Cylinder-Related-Parts .....	28-29	8/13	
5. Intake-Pipes-Assembly .....	30-31	8/13	
<b>Lubrication System</b> .....	72-50		
1. Oil-Level-Gage-Assembly.....	32-33	8/13	
2. Oil-Sump -and-Induction-Housing-Assembly .....	34-37	8/13	
3. Oil-Sump -and-Induction-Housing-Assembly .....	38-39	8/13	
4. Oil-Sump -and-Induction-Housing-Assembly .....	40-43	8/13	



<b><u>Subject</u></b>	<b><u>Ch-Se-Su</u></b>	<b><u>Page</u></b>	<b><u>Date</u></b>
<b>Accessory Drives</b> .....	<b>72-60</b>		
1. Accessory-Housing-Assembly.....		44-45.....	8/13
2. Oil-Pump-Assembly-and-Accessory-Housing-Attaching-Parts .....		46-47.....	8/13
3. Fuel Pump-Assembly-and-Attaching-Parts.....		48-49.....	8/13
4. Oil-Pressure Screen and Bypass Valve Assembly .....		50-51.....	8/13
5. Vacuum-and-Hydraulic-Pump-Covers.....		52-53.....	8/13
<b>Engine and Fuel Control</b> _____	<b>73-00</b>		
<b>Fuel Distribution</b> .....	<b>73-10</b>		
1. Fuel-Injector,-Fuel-Manifold-and-Injection-Nozzles .....		54-55.....	8/13
2. Fuel-Injector,-Fuel-Manifold-and-Injection-Nozzles .....		56-57.....	8/13
3. Fuel-Lines-and-Attaching-Parts.....		58-59.....	8/13
<b>Ignition Distribution System</b> _____	<b>74-00</b>		
<b>Distribution</b> .....	<b>74-20</b>		
1. Magnetos,-Magneto-Drives,-Harnesses-and-Spark-Plugs.....		60-61.....	8/13
2. Alternator .....		62-63.....	8/13
<b>Starting</b> _____	<b>80-00</b>		
<b>Cranking</b> .....	<b>80-10</b>		
1. Starter-Attaching-Parts.....		64-65.....	8/13
<b><u>Subject</u></b>	<b><u>Ch-Se-Su</u></b>	<b><u>Page</u></b>	<b><u>Date</u></b>
<b>Back Section</b> _____			
<b>Service Kit Section</b> .....		66-69.....	8/13
<b>Numerical Index</b> .....		70-76.....	8/13

## INTRODUCTION

**⚠ CAUTION:** DO NOT USE THIS CATALOG AS AN ASSEMBLY OR INSTALLATION DOCUMENT. THIS CATALOG MUST ONLY BE USED TO IDENTIFY PARTS IN CONJUNCTION WITH THE APPLICABLE OVERHAUL MANUAL.

### **Purpose of this Catalog**

This Illustrated Parts Catalog (IPC) contains a complete list of spare parts for the Lycoming IO-540-AE1A5 wide cylinder flange model engine.

### **How to Use this Catalog**

This catalog is based on the Air Transport Association (ATA) Spec 100 format. In order to clarify illustrations, Lycoming has taken discretion to classify non-system related assemblies and components in the same chapters, because they are physically connected.

This catalog is frequently updated by Service Bulletins (SB) and Service Instructions (SI). The updated information will be incorporated into subsequent full revisions of this catalog.

The ATA two element numbering system provides consistency throughout various manuals. The bottom of each page (beyond the frontal section) contains a two element number (##-##). In the two element numbering, the first two digits represent a chapter, and the next two digits subdivide the material into a more specific section.

The ATA format specifies the subject matter for each chapter-section. According to the ATA Standards, the following chapters apply to the IO-540-AE1A5 Illustrated Parts Catalog:

72 (Reciprocating Engine), 73 (Engine and Fuel Control), 74 (Ignition), and 76 (Engine Controls).

**EXAMPLE:    74    —    20**  
                           Chapter                                   Section  
                           **Ignition**                                   **Distribution**

**NOTE:** See the IPC Table of Contents for the sub-systems listed in each section.

### **Numerical Index**

The Numerical Index is a single list of part numbers, names and their locations within the IPC. It is useful for locating parts when you only know the number or name of the part.

### **Description column**

Indentation of a part name represents a lower level of assembly. Attaching parts have the same indentation level and are listed below the parts grouping or assembly they attach to. This column is often referred to as the "Nomenclature" on other ATA Spec manuals.

### **Units per Assembly Column**

Where more than one assembly exists, this column contains the quantity of a specific part required in the build sequence of only one next higher assembly. The letters "AR" represent "as required" for bulk items or non-illustrated select-from-range-parts. "RF" represents items listed for reference purposes only.

**Cross-Reference List of Manufacturer Parts to Standard Part Number****Vendor Accessories**

Parts coverage of Vendor Accessories used on Lycoming engines may be found in the appropriate Vendor's Parts Catalog. A list of vendor's addresses appears in the latest revision of Lycoming Service Letter No. L114.

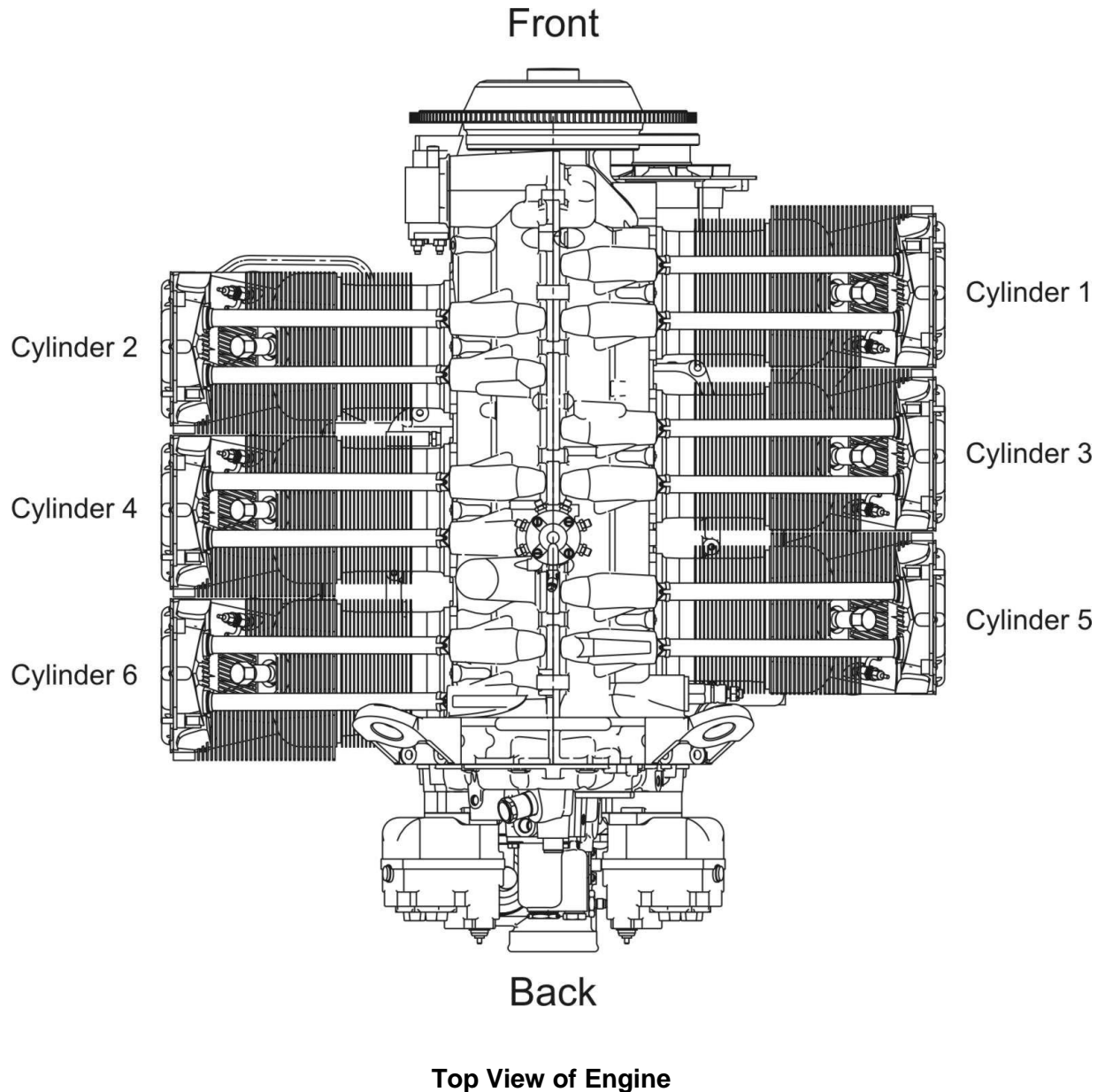
Any reference in this document to the suppliers/part manufacturer's product, by name, trademark, part number or other description is solely for the purpose of identification and does not indicate or infer that Lycoming accepts responsibility for quality control and/or airworthiness of parts, which do not pass through the Lycoming quality control system.

**Environmental Compliance**

Lycoming is concerned with preserving the environment. Lycoming strongly urges engine owners and repair/overhaul personnel to observe and comply with all federal, state, and local environmental regulations when solvents, paint, fuel, oil, chemicals, or other consumables are used in operating, maintaining, or overhauling an engine component. Please share our concern for, and commitment to a clean earth, clean water, and especially clean air for succeeding generations of flyers.

**Perspective of References**

In this manual, all references to locations of various components will be designated as if viewing the engine from the rear (or anti-propeller) end. The front of the engine is considered to be the propeller end and the oil sump is considered to be on the bottom of the engine. Cylinders are numbered from front to rear with the odd-numbered cylinders on the right-hand side. The firing order for this six-cylinder engine is 1-4-5-2-3-6.



**How to Order Parts and Publications**

An Oversize and Undersize Parts List is included in the front section of this catalog to aid in ordering parts as necessary during overhaul.

Although the information contained in this parts catalog is up-to-date at time of publication, users are advised to procure current information through all Lycoming distributors or from the factory by subscription. Refer to the latest revision of Service Letter No. L114 for subscription information.

1. For correct, expedited part shipments without delay:
  - a. Always give the model and serial number of your engine.
  - b. Always give the part number, nomenclature, and quantity.

The SB and SI documents are available from Lycoming distributors, or the factory, or by subscription.

Full Revisions of the Illustrated Parts Catalog are available from Lycoming distributors or the factory.

Every effort has been made in preparing this manual to ensure its accuracy. However, any comments, suggestions, or corrections to this manual are welcome and must be directed in writing to:

**Technical Publications Coordinator**  
**Lycoming Engines**  
**652 Oliver Street**  
**Williamsport, PA 17701**

**NOTE:** The owner of the manual must give notification to the factory for a change of address.

Additionally, Lycoming has a Customer Service Hot Line for information and assistance to owners, operators, and maintenance personnel which are servicing Lycoming engines.

Call - U.S. and Canada toll free - +1-800-258-3279

International Customers - +1-570-323-6181

8:00 A.M. – 5:00 P.M. EST (-5GMT)

Monday – Friday.

©2013 by Lycoming. "All Rights Reserved." All Lycoming publications are to be considered copyrighted and may not be reproduced without permission of the company.

**ABBREVIATIONS AND ACRONYMS**

<b>A</b>	
Adj.	Adjustable
amp.	Ampere
Assy	Assembly
<b>F</b>	
Fill.	Fillister
<b>H</b>	
Hex.	Hexagon
<b>I</b>	
I.D.	Inside Diameter
<b>M</b>	
mm	Millimeter
<b>N</b>	
No.	Number
NPT	National Pipe Taper (thread)
<b>O</b>	
O.D.	Outside Diameter
<b>P</b>	
P/N	Part Number
psi	Pounds per square inch

This page intentionally left blank.

**OVERSIZE AND UNDERSIZE PARTS LISTING**

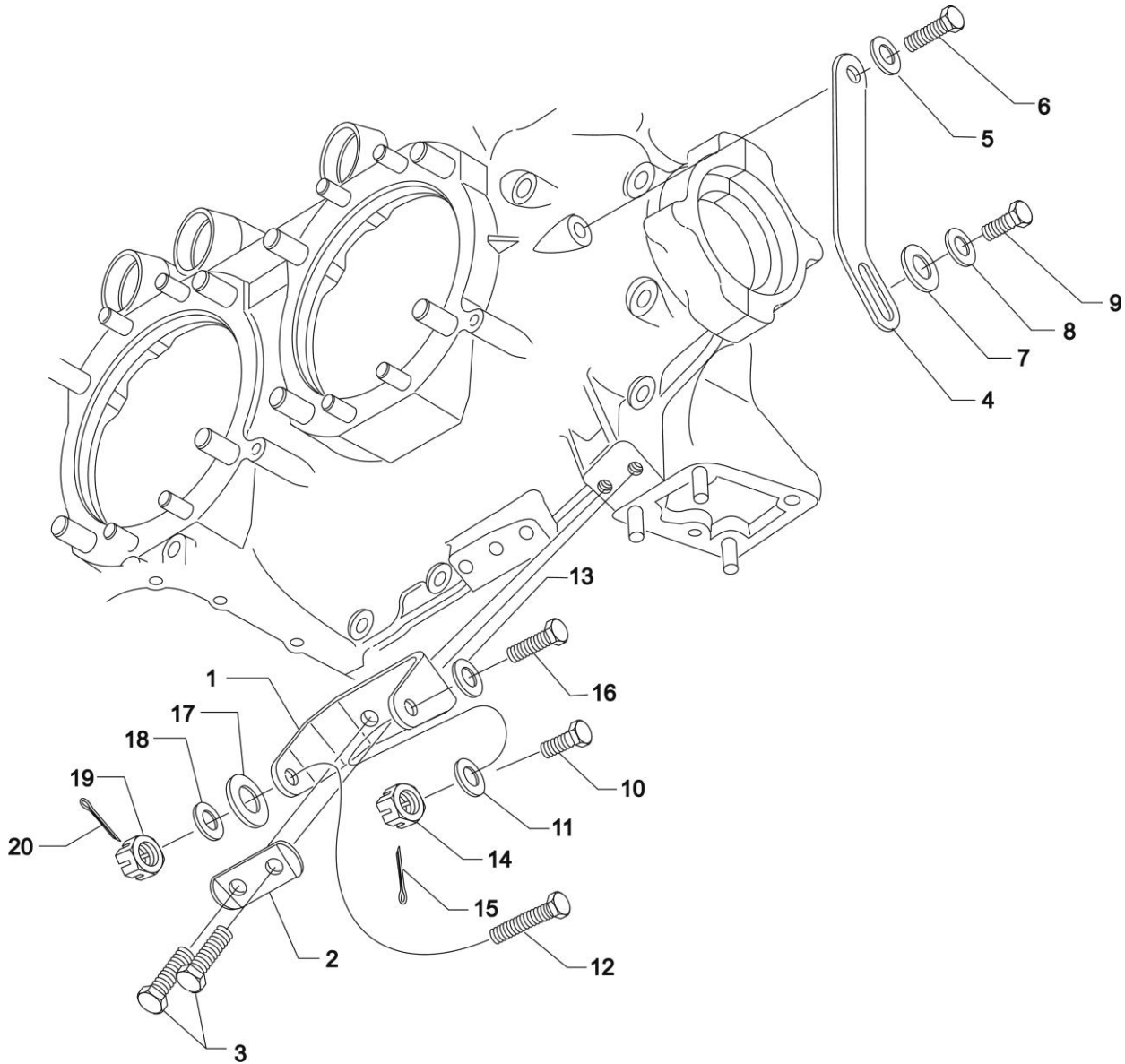
PART NO.	DESCRIPTION	OVERSIZE (IN.)								UNDERSIZE (IN.)		
		P02 .002	P05 .005	P10 .010	P15 .015	P20 .020	P30 .030	P40 .040	P50 .050	M03 .003	M06 .006	M10 .010
66670	BUSHING		X	X								
66713*	GUIDE		X	X		X	X	X				
66796	INSERT		X	X								
69796	DOWEL		X									
72155-S	BUSHING		X	X	X	X						
73810	BUSHING		X	X	X							
75656-S	BUSHING		X	X	X	X						
75657-S	BUSHING		X	X	X	X						
75838*	GUIDE		X	X		X	X	X				
LW-11997	SEAL								X			
LW-12688	SEAT		X	X		X	X					
18M26105	BEARING			X						X	X	X
LW-13792	SEAL								X			
STD-1065	DOWEL		X	X	X							
16T19468	SEAT		X	X		X	X					
18M19389	BEARING			X						X	X	X
18A26093	BEARING									X	X	X
18D26098	BEARING									X	X	X

\* Reference Figure 12 items no. 4 and 5 for valve guides.

## NOTE

When ordering oversize and undersize parts, be sure to specify the required oversize and undersize dimension along with the proper part number. For example, to order bearing P/N 18D26098 bearing in .003 in. undersize, order P/N 18D26098-M03. Undersize code letter is "M" while oversize code letter is "P". These letters are then followed by the number designating the size in thousandths of an inch.

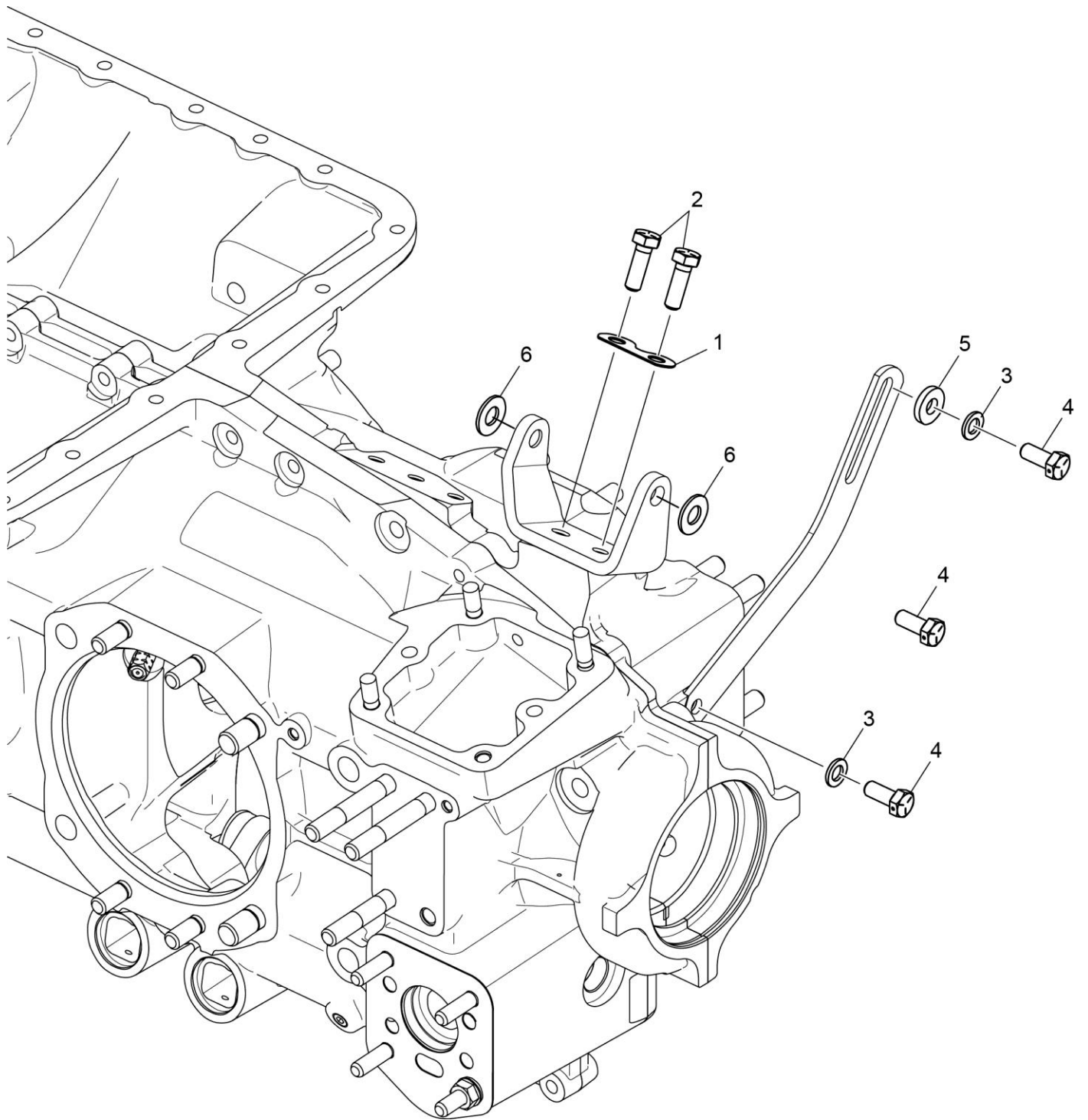




**Alternator Attaching Parts  
Figure 1**

**ELECTRICAL POWER****FIGURE 1 - ALTERNATOR ATTACHING PARTS**

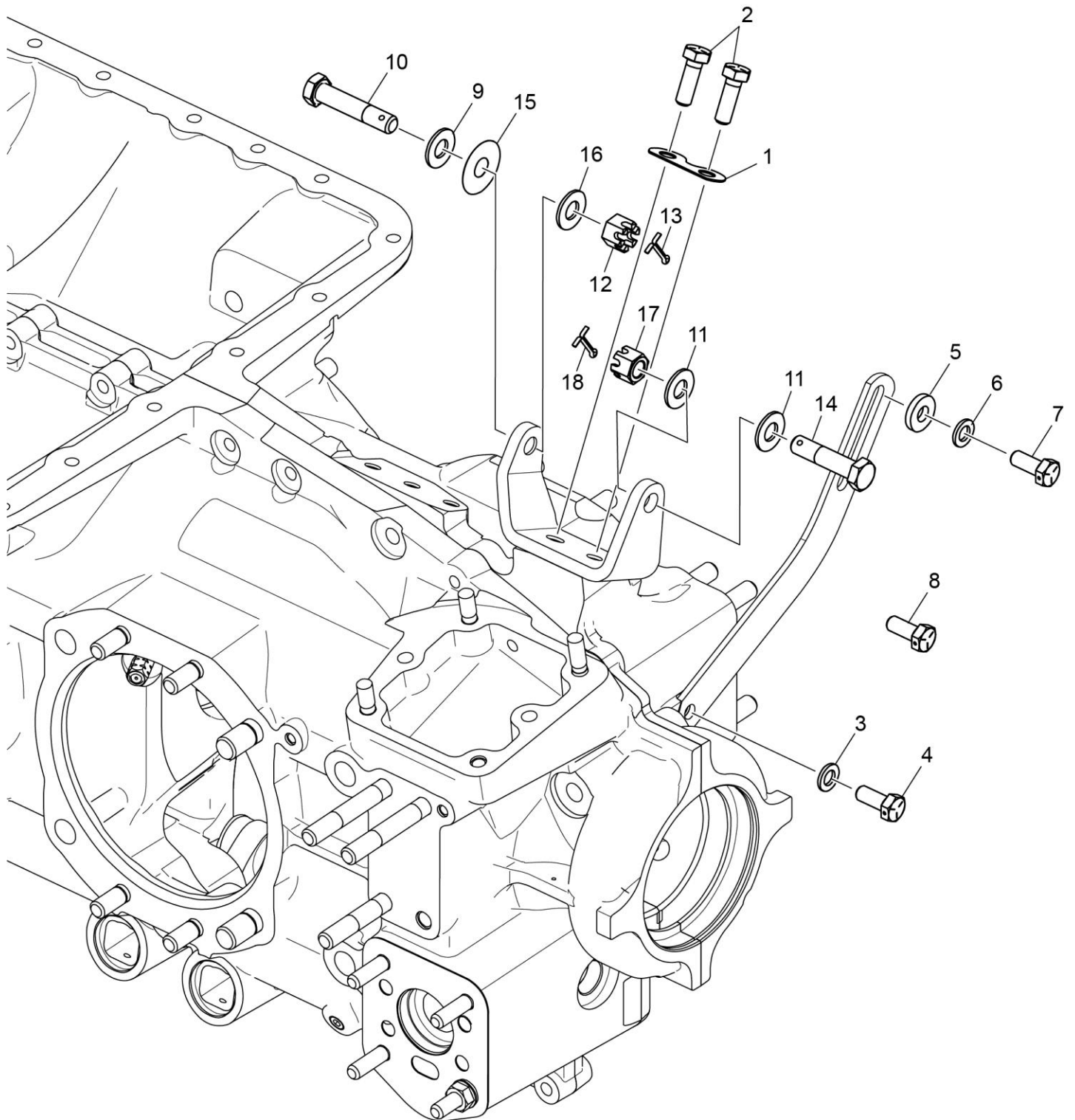
<b>Figure Item</b>	<b>Code</b>	<b>Part Number</b>	<b>Description</b>	<b>Units per Assembly</b>
1		07A19474	BRACKET, Alternator	1
2		73383	LOCKPLATE, 5/16 bolt x 1.00 spacing	1
3		LW-31-0.94	BOLT, 5/16-18 x 15/16 long, hex.head	2
4		75380	LINK, Alternator adjusting	1
5		STD-35	WASHER, 5/16 plain	1
6		LW-31H0.75	BOLT, 5/16-18 x 3/4 long, hex. head, drilled	1
7		STD-1727	WASHER, Plain, 3/4 O.D. x 21/64 I.D. x 1/8 thick	1
8	<b>AR</b>	STD-33	WASHER, 3/8 plain	AR
9		LW-31H0.75	BOLT, 5/16-18 x 3/4 long, hex. head, drilled	1
10		LW-31H0.75	BOLT, 5/16-18 x 3/4 long, hex. head, drilled	1
11		STD-690	WASHER, 13/16 O.D. x 3/8 I.D. x 1/16 thick	1
12		AN6-17	BOLT, 3/8-24 x 1-61/64 long, hex. head	1
13	<b>AR</b>	STD-690	WASHER, 13/16 O.D. x 3/8 I.D. x 1/16 thick	AR
14		STD-872	NUT, 3/8-24 slotted	1
15		STD-713	COTTER PIN, 3/32 diameter x 3/4 long	1
16		AN6-16	BOLT, 3/8-24 x 1-53/64 long, hex. head, drilled end	1
17	<b>AR</b>	76534	SHIM, 1-1/8 O.D. x 13/32 I.D. x .005 thick	AR
18	<b>AR</b>	STD-690	WASHER, 13/16 O.D. x 3/8 I.D. x 1/16 thick	AR
19		STD-872	NUT, 3/8-24 slotted	1
20		STD-713	COTTER PIN, 3/32 diameter x 3/4 long	1
<b>AR as required</b>				



**Alternator Attaching Parts  
Figure 2**

**ELECTRICAL POWER****FIGURE 2 - ALTERNATOR ATTACHING PARTS**

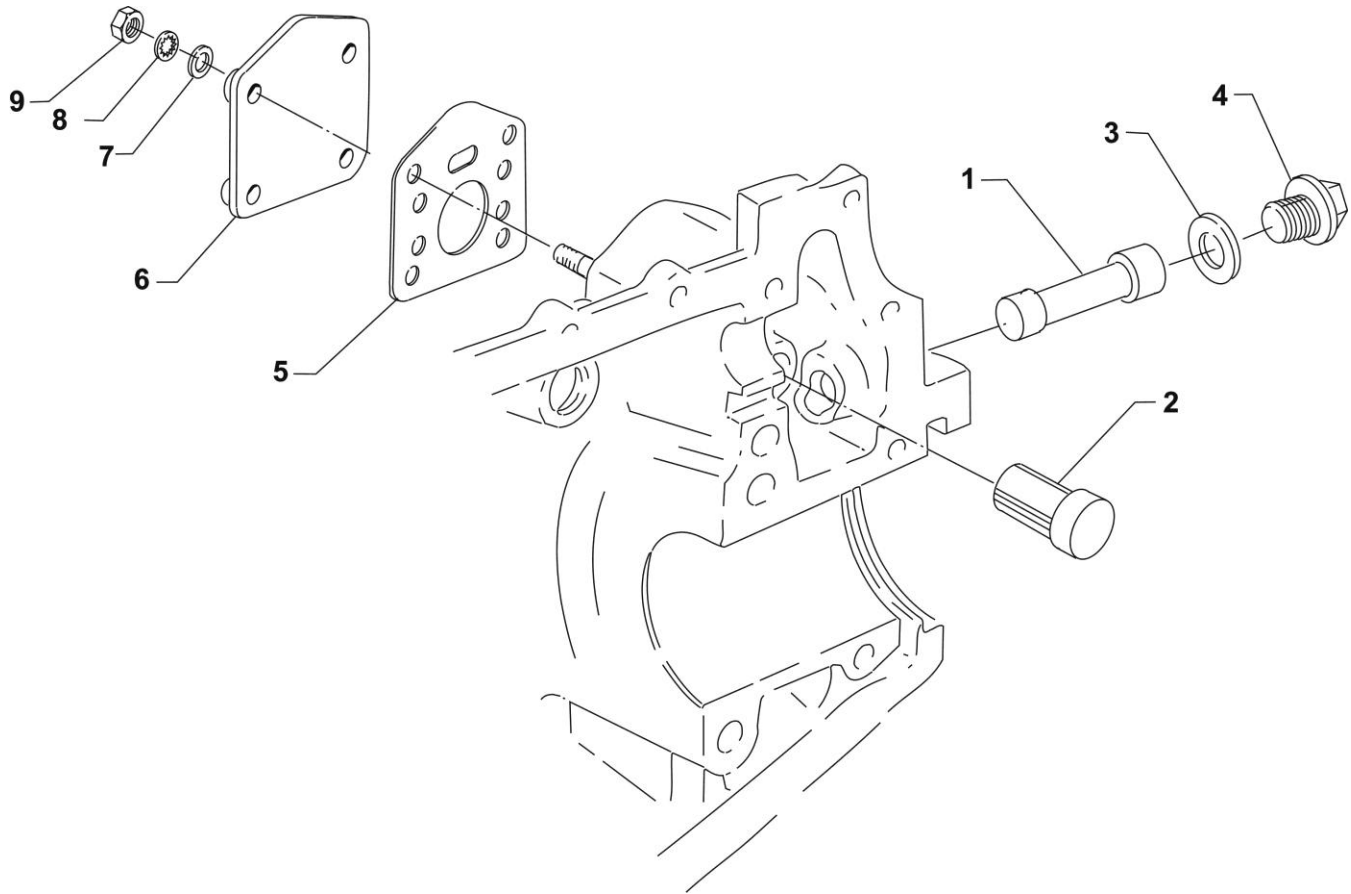
<b>Figure Item</b>	<b>Code</b>	<b>Part Number</b>	<b>Description</b>	<b>Units per Assembly</b>
1		73383	LOCKPLATE, 5/16 bolt x 1.00 spacing	1
2		LW-31-0.94	BOLT, 5/16-18 x 15/16 long, hex.head	2
3	<b>AR</b>	STD-35	WASHER, 5/16 plain	AR
4		LW-31H0.75	BOLT, 5/16-18 x 3/4 long, hex. head, drilled	3
5		STD-1727	WASHER, Plain, 3/4 O.D. x 21/64 I.D. x 1/8 thick	1
6	<b>AR</b>	STD-690	WASHER, 13/16 O.D. x 3/8 I.D. x 1/16 thick	AR
<b>AR as required</b>				



**Alternator Attaching Parts  
Figure 3**

**ELECTRICAL POWER****FIGURE 3 - ALTERNATOR ATTACHING PARTS**

<b>Figure Item</b>	<b>Code</b>	<b>Part Number</b>	<b>Description</b>	<b>Units per Assembly</b>
1		73383	LOCKPLATE, 5/16 bolt x 1.00 spacing	1
2		LW-31-0.94	BOLT, 5/16-18 x 15/16 long, hex.head	2
3		STD-35	WASHER, 5/16 plain	1
4		LW-31H0.75	BOLT, 5/16-18 x 3/4 long, hex. head, drilled	1
5		STD-1727	WASHER, Plain, 3/4 O.D. x 21/64 I.D. x 1/8 thick	1
6	<b>AR</b>	STD-33	WASHER, 3/8 plain	3 AR
7		LW-31H0.75	BOLT, 5/16-18 x 3/4 long, hex. head, drilled	1
8		LW-31H0.75	BOLT, 5/16-18 x 3/4 long, hex. head, drilled	1
9		STD-690	WASHER, 13/16 O.D. x 3/8 I.D. x 1/16 thick	1
10		AN6-17	BOLT, 3/8-24 x 1-61/64 long, hex. head	1
11	<b>AR</b>	STD-690	WASHER, 13/16 O.D. x 3/8 I.D. x 1/16 thick	3 AR
12		STD-872	NUT, 3/8-24 slotted	1
13		STD-713	COTTER PIN, 3/32 diameter x 3/4 long	1
14		AN6-16	BOLT, 3/8-24 x 1-53/64 long, hex. head, drilled end	1
15	<b>AR</b>	76534	SHIM, 1-1/8 O.D. x 13/32 I.D. x .005 thick	AR
16	<b>AR</b>	STD-690	WASHER, 13/16 O.D. x 3/8 I.D. x 1/16 thick	AR
17		STD-872	NUT, 3/8-24 slotted	1
18		STD-713	COTTER PIN, 3/32 diameter x 3/4 long	1
<b>AR as required</b>				

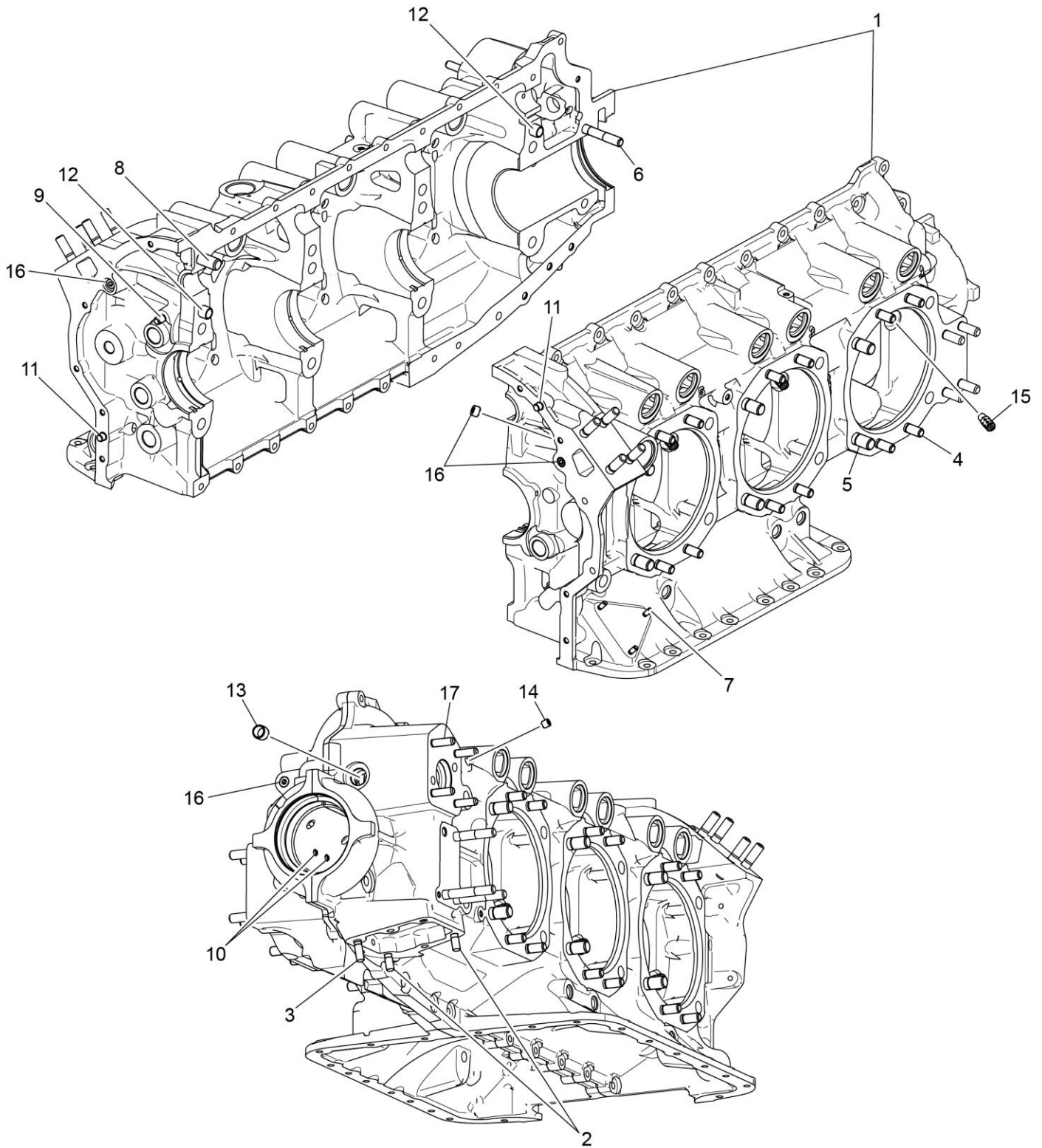


**Propeller Governor Plugs and Cover  
Figure 4**

**FRONT SECTION****FIGURE 4 – PROPELLER GOVERNOR PLUGS AND COVER**

<b>Figure Item</b>	<b>Code</b>	<b>Part Number</b>	<b>Description</b>	<b>Units per Assembly</b>
1		78589	PLUG, Propeller governor idler shaft	1
2		03C21721	PLUG, Propeller governor drive gear	1
3		70455	GASKET, 25/32 I.D. x 1-1/8 O.D. x 1/32 thick	1
4		LW-13896	PLUG, 3/4-16 hex. head	1
5		72053	GASKET, Governor	1
6		72378	COVER, Governor drive	1
7		STD-35	WASHER, 5/16 plain	4
8		STD-475	WASHER. 5/16 lock, internal teeth	4
9		STD-1410	NUT, 5/16-18 plain	4

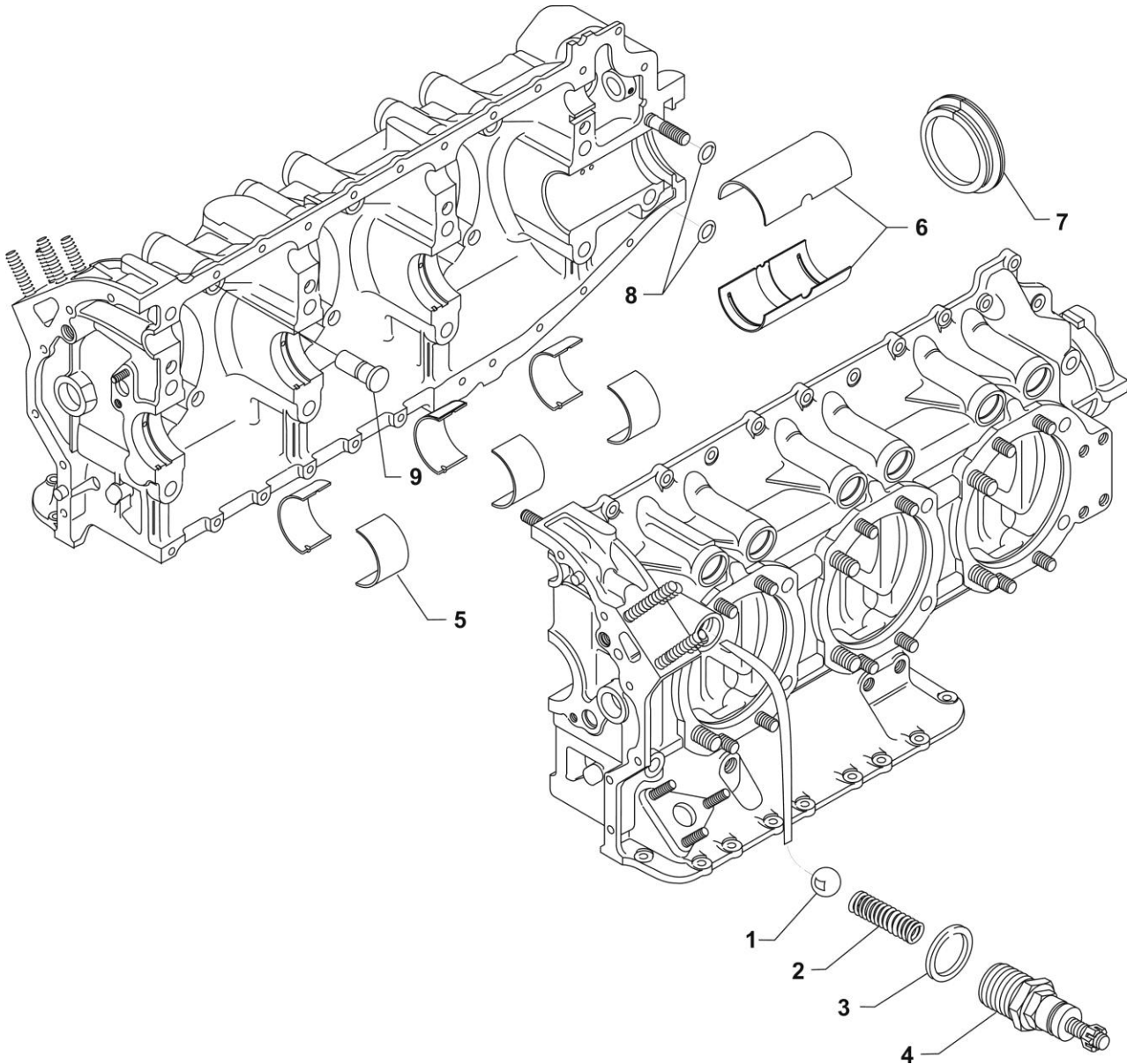




**Crankcase Assembly  
Figure 5**

**POWER SECTION****FIGURE 5 - CRANKCASE ASSEMBLY**

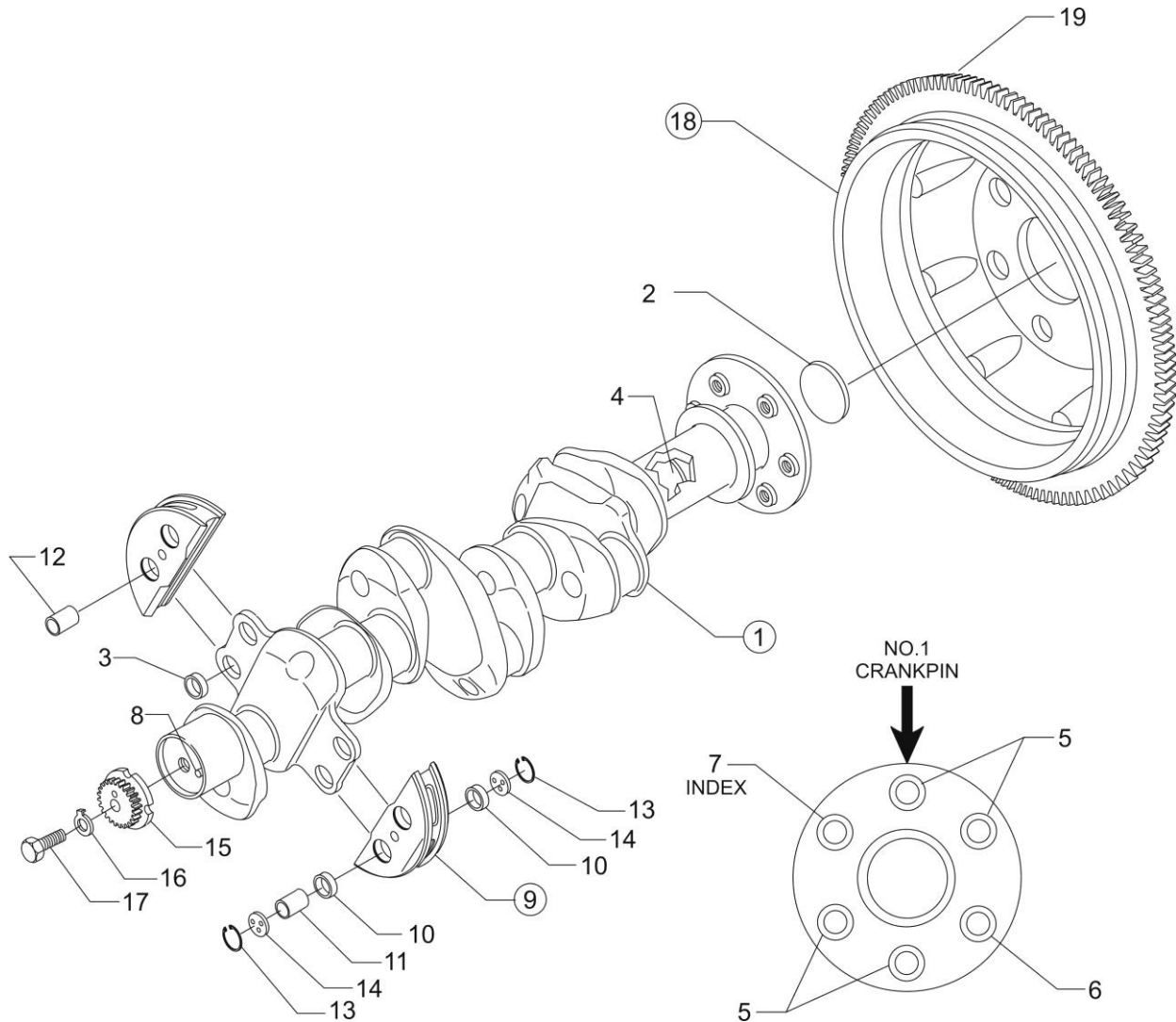
Figure Item	Code	Part Number	Description	Units per Assembly
1	*	11E24004-S1-S	CRANKCASE ASSEMBLY KIT (Flat Tappet)	1
	<b>P</b>	11E24004-S1	CRANKCASE ASSEMBLY	1
	*	11E24104-S1-S	CRANKCASE ASSEMBLY KIT (Roller Tappet)	1
	<b>P</b>	11E24104-S1	CRANKCASE ASSEMBLY	1
	*	11E24106-S1-S	CRANKCASE ASSEMBLY KIT (Roller Tappet)	1
	<b>P</b>	11E24106-S1	CRANKCASE ASSEMBLY	1
2		31C-12	STUD, 5/16-18 x 1-1/2 long	2
3		31C-13	STUD, 5/16-18 x 1-5/8 long	1
4		38-13	STUD, 3/8-16 x 1-5/8 long	24
5		50-15	STUD, 1/2-13 x 1-7/8 long	12
6		38-22	STUD, 3/8-16 x 2-3/4 long	1
7		10-8	STUD, No. 10-32 x 1.00 long	3
8		38D-17	STUD, 3/8-16 x 2-1/8 long, drilled	1
9		01A23354	STUD, 5/16-18 x 1.00 long, drilled	1
10		69796	DOWEL, Crankshaft bearing	2
11		STD-514	DOWEL, 5/16 diameter x 1/2 long	2
12		STD-557	DOWEL, 1/2 diameter x 11/16 long, hollow	2
13		72158	BUSHING, Governor drive idler shaft	1
14		STD-1339	PLUG, 1/16-27 NPT, Allen head	1
15		73772	NOZZLE ASSEMBLY, Piston cooling	6
16		1102	PLUG, 1/8-27 NPT, Allen head	4
17		31C-14	STUD, 5/16-18 x 1-3/4 long	4
<p><b>P</b> Lycoming proprietary part. Listed for reference purposes only, cannot be purchased.</p> <p>* Refer to Service Kits Section for applicable Crankcase Assembly and Governor Thru-Stud Kit Part Numbers.</p>				



**Crankcase Related Parts  
Figure 6**

**POWER SECTION****FIGURE 6 - CRANKCASE RELATED PARTS**

Figure Item	Code	Part Number	Description	Units per Assembly
1		1028-B	BALL, 11/16 diameter	1
2	*	61084	SPRING, Oil pressure relief valve	1
	*	68668	SPRING, Oil pressure relief valve	1
	*	77467	SPRING, Oil pressure relief valve	1
	*	LW-11713	SPRING, Oil pressure relief valve	1
	*	LW-18085	SPRING, Oil pressure relief valve	1
3		06E19769-1.25	GASKET, Annular, 1-1/4 I.D.	1
4		77808	VALVE ASSEMBLY, Oil pressure relief valve, adj.	1
5		18D26098	BEARING, Crankshaft	6
6		18A26093	BEARING, Crankshaft	2
7	**	LW-13792	SEAL, Crankshaft oil	1
8		72091	RING, Oil seal, 23/64 I.D. x 7/64 diameter	2
9		15B26262	BODY, Hydraulic tappet	12
		LRT23381	BODY ASSEMBLY, Hydraulic tappet, Lycoming roller type	12
<p>* Select spring to give a minimum of three threads exposed on adjusting screw to allow field adjustment. Reference latest revision of SSP-1776, Part I for spring identification.</p> <p>** Refer to the latest revision of Lycoming Service Instruction No. 1324 for installation.</p>				



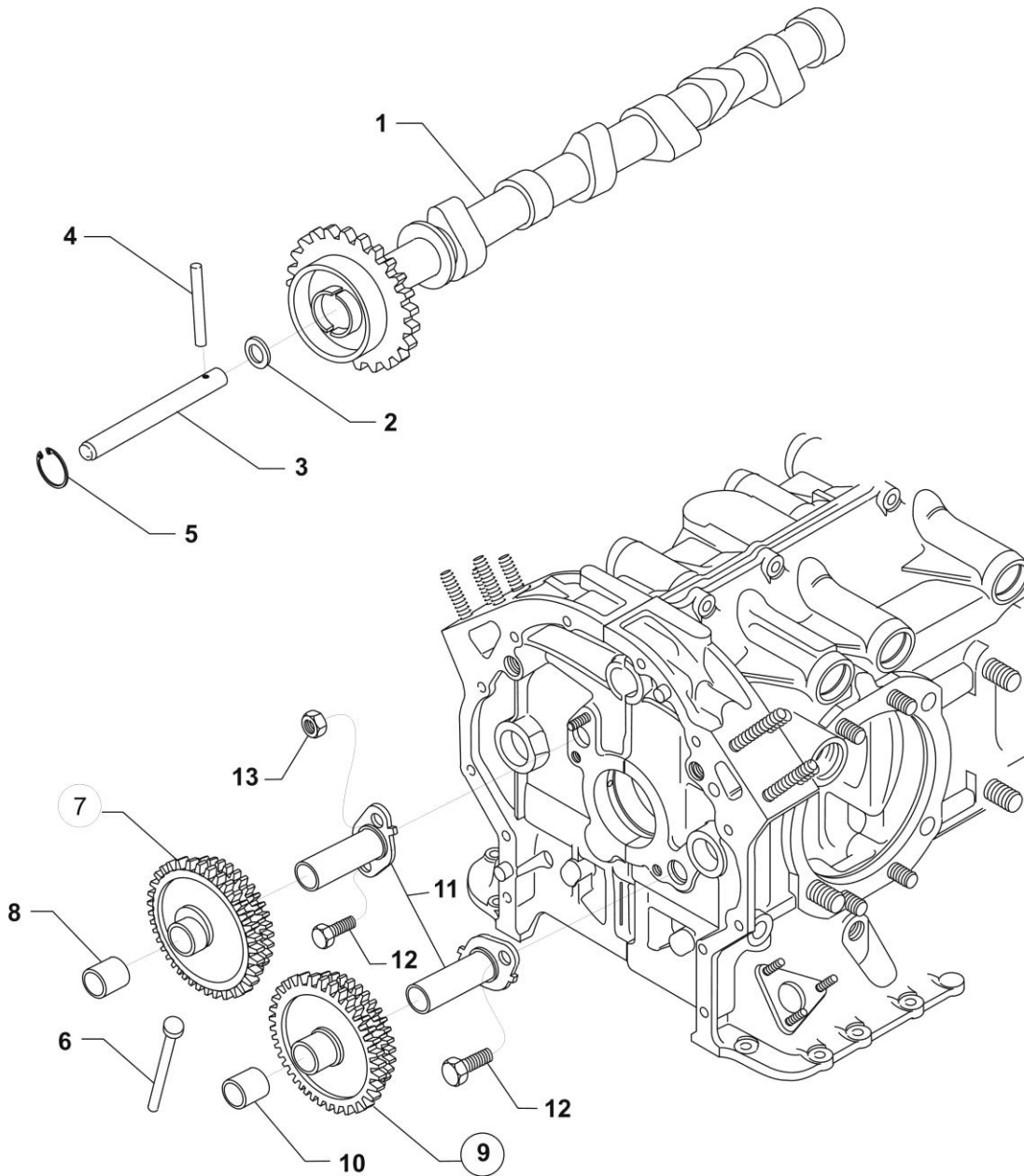
**Crankshaft Assembly and Related Parts  
Figure 7**

**POWER SECTION****FIGURE 7 - CRANKSHAFT ASSEMBLY AND RELATED PARTS**

Figure Item	Code	Part Number	Description	Units per Assembly
1		13E47622	CRANKSHAFT AND BUSHING ASSEMBLY	1
2		STD-1211	PLUG, 2.00 diameter expansion	1
3		73810	BUSHING, Crankshaft dynamic counterweight	4
4		71640	PLUG, 1-3/8 diameter	1
5		75656-S	BUSHING, Propeller flange, long	4
6		72155-S	BUSHING, Propeller flange, short	1
7		75657-S	BUSHING, Propeller flange, indexing	1
8		STD-1065	DOWEL, Stepped, 5/16 x 1/4 diameter	1
9		14U22539	COUNTERWEIGHT ASSEMBLY	2
10		71903-A	BUSHING, Dynamic counterweight	4
11		14W22647	ROLLER, Dynamic counterweight, 4.81 order	2
12		70416	ROLLER, Dynamic counterweight	2
13		LW-14820	RING, Internal retaining	8
14		71907	WASHER, Dynamic counterweight	8
15	*	13S19647	GEAR, Crankshaft	1
16		LW-18638	LOCKPLATE, Crankshaft gear	1
17		STD-2247	BOLT, 5/16 -24 x 1-3/4 long	1
18		31M22972	SUPPORT ASSEMBLY, Starter ring gear, 12/14 pitch	1
19		72566	GEAR, Starter ring, 12/14 pitch	1

\* Refer to the latest revision of Service Bulletin No. 475 for proper installation.

**NOTE:** Refer to Service Kit Section for Crankshaft and Counterweight Assembly kit.

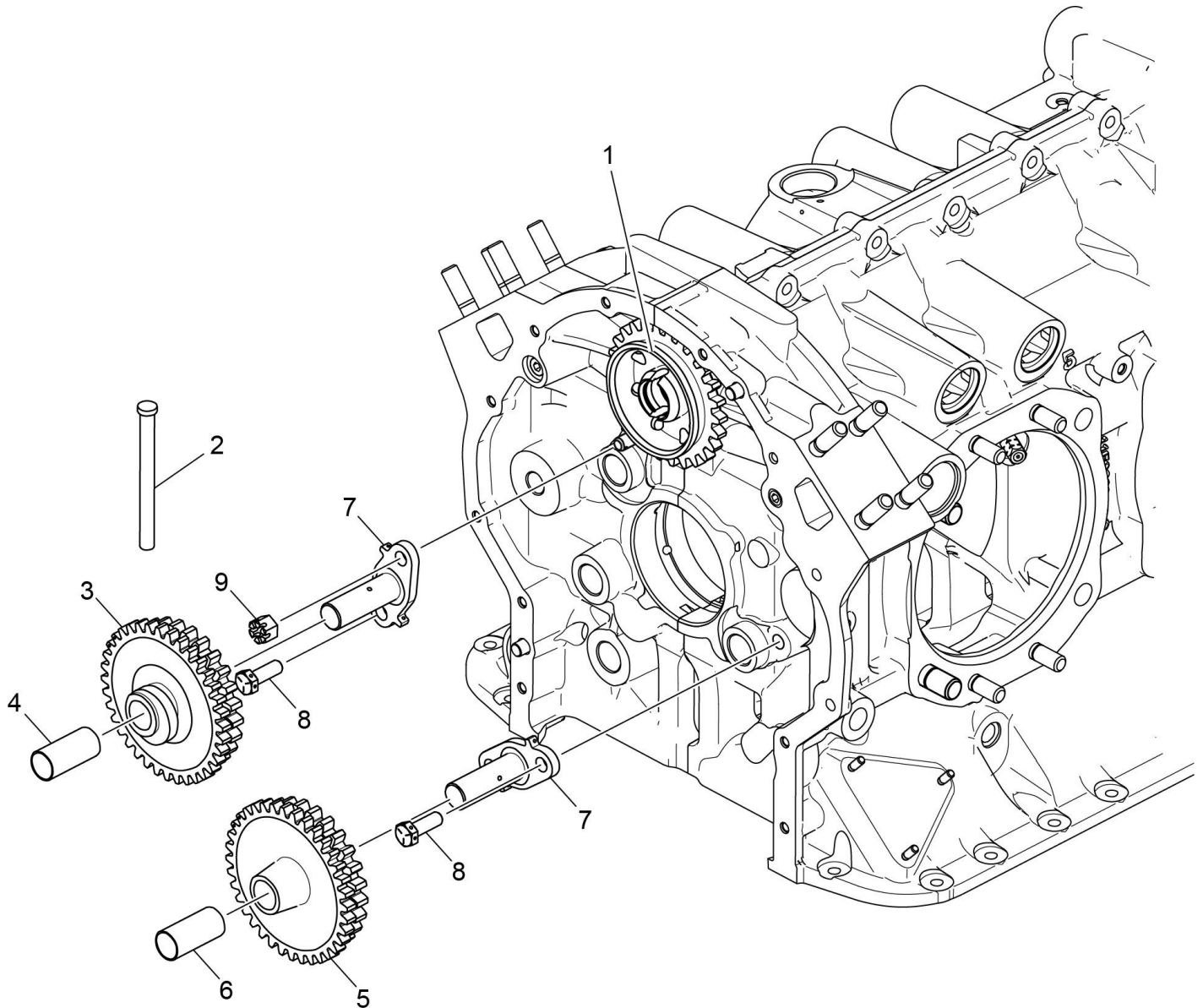


**Crankshaft Idler Gears, Tachometer Drive and Camshaft  
Figure 8**

**POWER SECTION****FIGURE 8 - CRANKSHAFT IDLER GEARS, TACHOMETER DRIVE AND CAMSHAFT**

<b>Figure Item</b>	<b>Code</b>	<b>Part Number</b>	<b>Description</b>	<b>Units per Assembly</b>
1		LW-19340	CAMSHAFT ASSEMBLY, Flat Tappets	1
		15N23374	CAMSHAFT ASSEMBLY, Roller Lifter	1
2		76118	SPACER, Tachometer shaft centering	1
3		76155	SHAFT ASSEMBLY, Tachometer	1
4		LW-18667	PIN, 3/16 diameter x 2-21/64 long	1
5		STD-2231	RING, Internal retaining (13/16)	1
6		23D26777	PLUNGER, Fuel pump, long	1
7		71652	GEAR ASSEMBLY, Crankshaft idler	1
8		67530	BUSHING, Crankshaft idler gear	1
9		71668	GEAR ASSEMBLY, Crankshaft idler, plain	1
10		67530	BUSHING, Crankshaft idler gear	1
11		LW-13795	SHAFT, Crankshaft idler gear	2
12		LW-31H0.88	BOLT, 5/16-18 x 7/8 long, hex. head, drilled	3
13		STD-2168	NUT, 5/16-18 NC-3 slotted shear	1

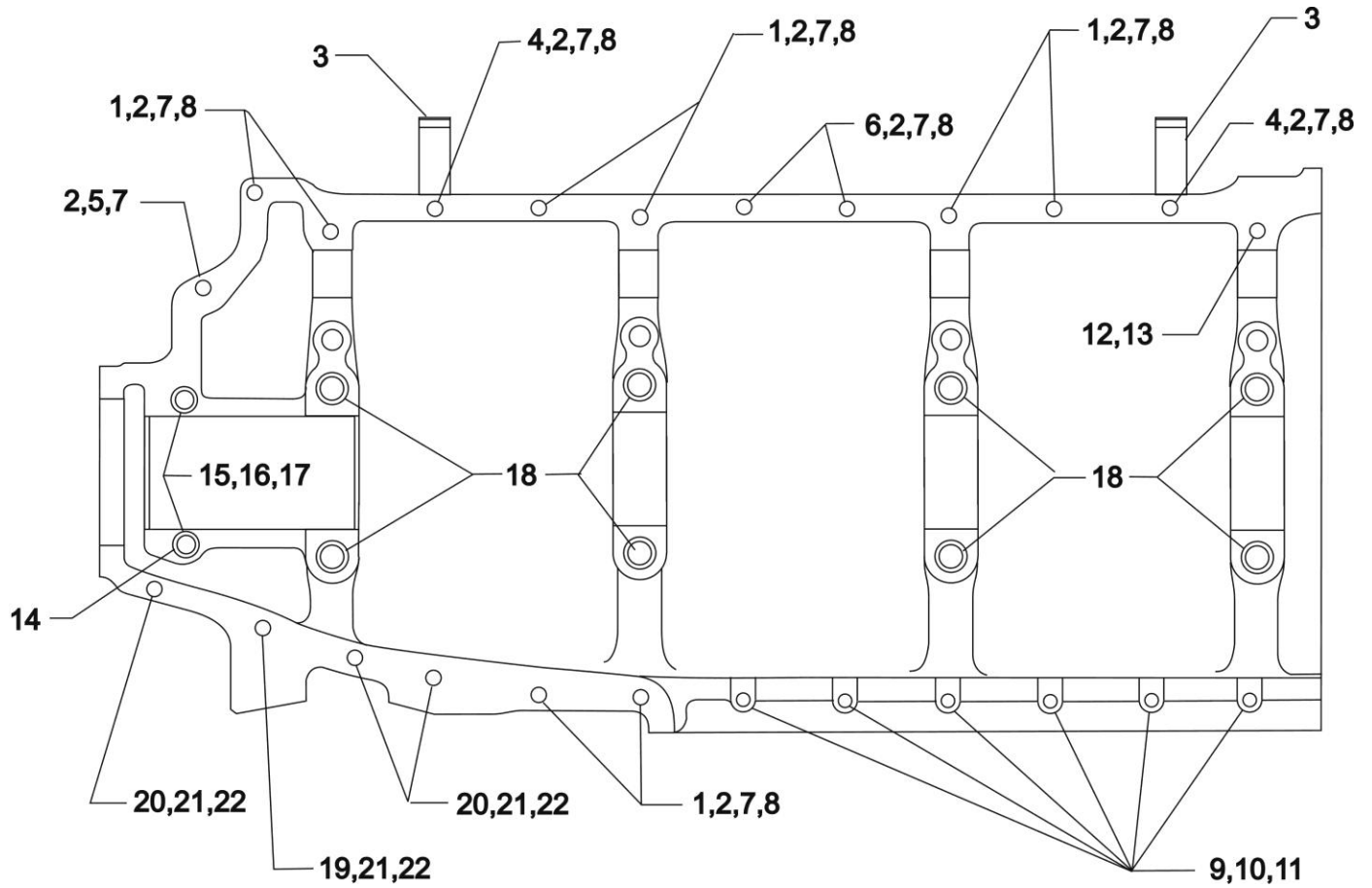




**Crankshaft Idler Gears, Tachometer Drive and Camshaft  
Figure 9**

**POWER SECTION****FIGURE 9 - CRANKSHAFT IDLER GEARS AND CAMSHAFT**

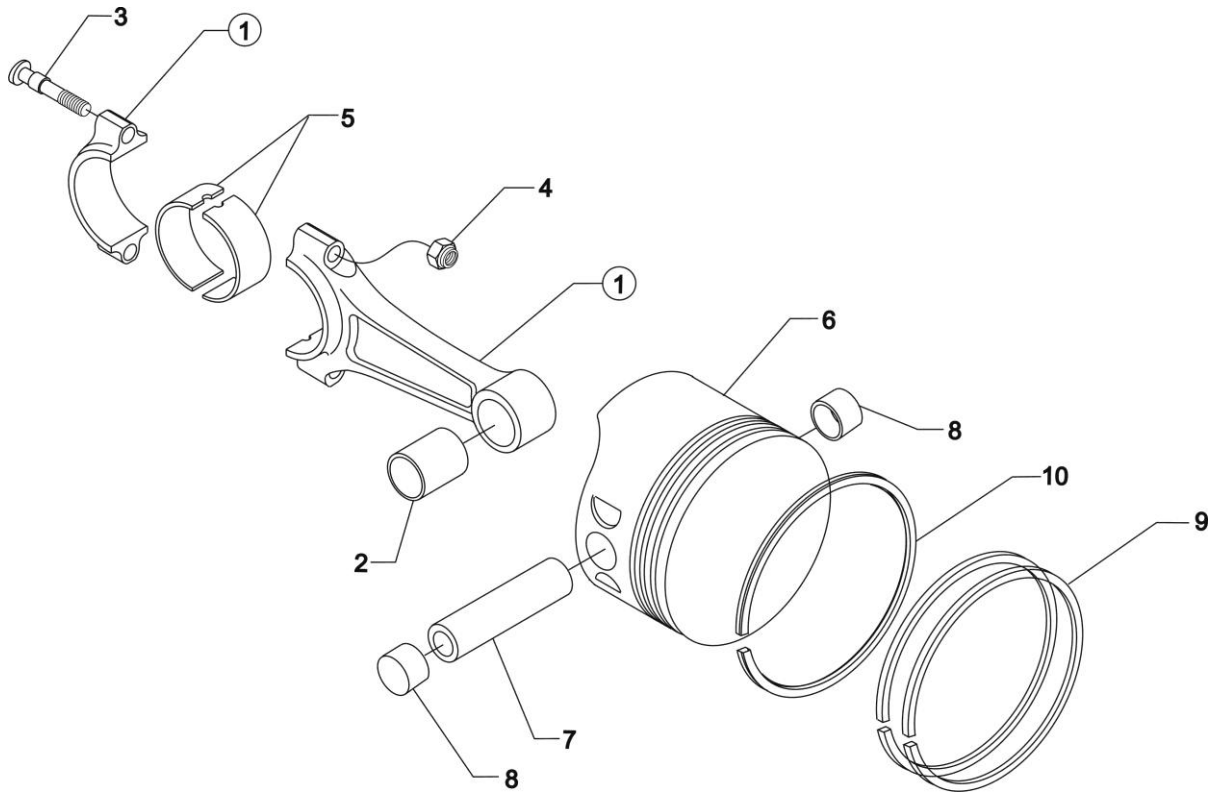
<b>Figure Item</b>	<b>Code</b>	<b>Part Number</b>	<b>Description</b>	<b>Units per Assembly</b>
1		15N26092	CAMSHAFT ASSEMBLY, Roller lifter	1
2		23D26777	PLUNGER, Fuel pump, long	1
3		71652	GEAR ASSEMBLY, Crankshaft idler	1
4		67530	BUSHING, Crankshaft idler gear	1
5		71668	GEAR ASSEMBLY, Crankshaft idler, plain	1
6		67530	BUSHING, Crankshaft idler gear	1
7		LW-13795	SHAFT, Crankshaft idler gear	2
8		LW-31H0.88	BOLT, 5/16-18 x 7/8 long, hex. head, drilled	3
9		STD-2168	NUT, 5/16-18 NC-3 slotted shear	1



**Crankcase Attaching Parts  
Figure 10**

**POWER SECTION****FIGURE 10 - CRANKCASE ATTACHING PARTS**

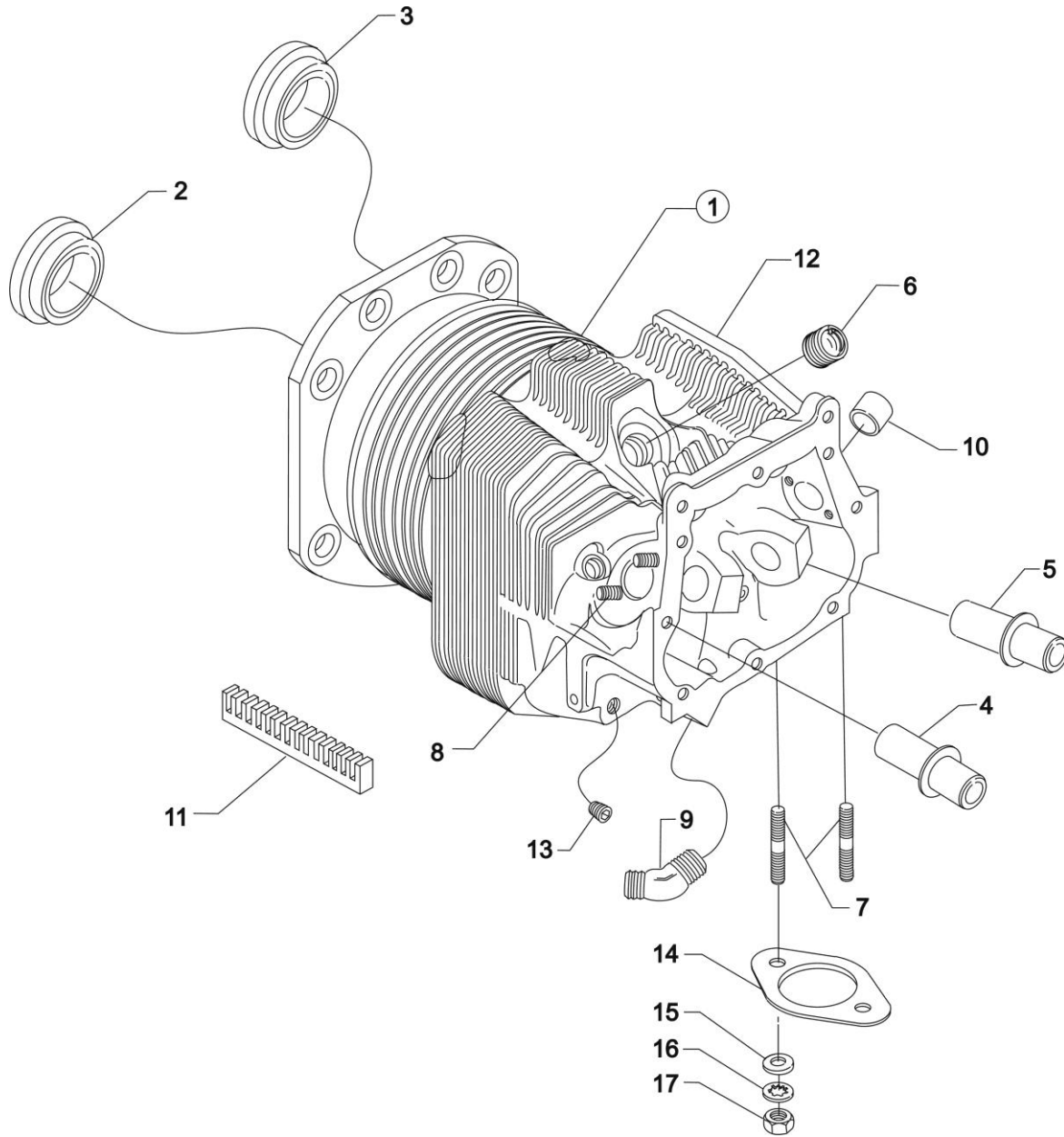
Figure Item	Code	Part Number	Description	Units per Assembly
1		LW-25-1.50	BOLT, 1/4-20 x 1-1/2 long, hex. head	9
2		STD-8	WASHER, 1/4 plain	24
3		60803	STRAP, Lifting	2
4		LW-25-1.75	BOLT, 1/4-20 x 1-3/4 long, hex. head	2
5		LW-25-1.13	BOLT, 1/4-20 x 1-1/8 long, hex. head	1
6		LW-25-2.00	BOLT, 1/4-20 x 2.00 long, hex. head	2
7		STD-160	WASHER, 1/4 lock, internal teeth	13
8		STD-1411	NUT, 1/4-20 plain	12
9		LW-25S1.50	BOLT, 1/4-20 x 1-1/2 long, hex. head, drilled end	6
10	<b>AR</b>	STD-8	WASHER, 1/4 plain (max. 18)	AR
11		STD-2249	NUT, 1/4-20 slotted	6
12		STD-33	WASHER, 3/8 plain	1
13		STD-872	NUT, 3/8-24 slotted	1
14		AN6-34A	BOLT, 3/8-24 x 3-37/64 long, hex. head	1
15		STD-33	WASHER, 3/8 plain	3
16		STD-678	WASHER, 3/8 lock, internal teeth	2
17		STD-596	NUT, 3/8-24 plain	2
18		76220	STUD, 1/2-20 x 10-45/64 long	8
19		LW-31-2.75	BOLT, 5/16-18 x 2-3/4 long, hex. head	1
20		LW-31-1.16	BOLT, 5/16-18 x 1-5/32 long, hex. head	3
21		STD-35	WASHER, 5/16 plain	4
22		STD-475	WASHER, 5/16 lock, internal teeth	4
<b>AR</b> as required				



**Connecting Rods, Pistons and Ring Assemblies  
Figure 11**

**CYLINDER SECTION****FIGURE 11 - CONNECTING RODS, PISTONS AND RING ASSEMBLIES**

<b>Figure Item</b>	<b>Code</b>	<b>Part Number</b>	<b>Description</b>	<b>Units per Assembly</b>
1		LW-11750	CONNECTING ROD ASSEMBLY	6
2		LW-13923	BUSHING, Connecting rod, upper	6
3	<b>P</b>	14S23890	BOLT, Connecting rod	
	*	75060	BOLT, Connecting rod	12
4		LW-12186	NUT, Connecting rod bolt	12
5		18M26105	BEARING, Connecting rod	12
6		14D23908	PISTON, Compression ratio 8.70:1	6
7	**	LW-14078	PIN, Piston	6
8	**	72198	PLUG, Piston pin	12
9		74241	RING, Piston, compression	12
10		14H21950	RING, Piston, oil regulating (expander type)	6
<p><b>P</b> Lycoming proprietary part. Listed for reference purpose only, cannot be purchased.  <b>*</b> Service use only.  <b>**</b> Refer to the latest revision of Lycoming Service Instruction No. 1267.</p>				



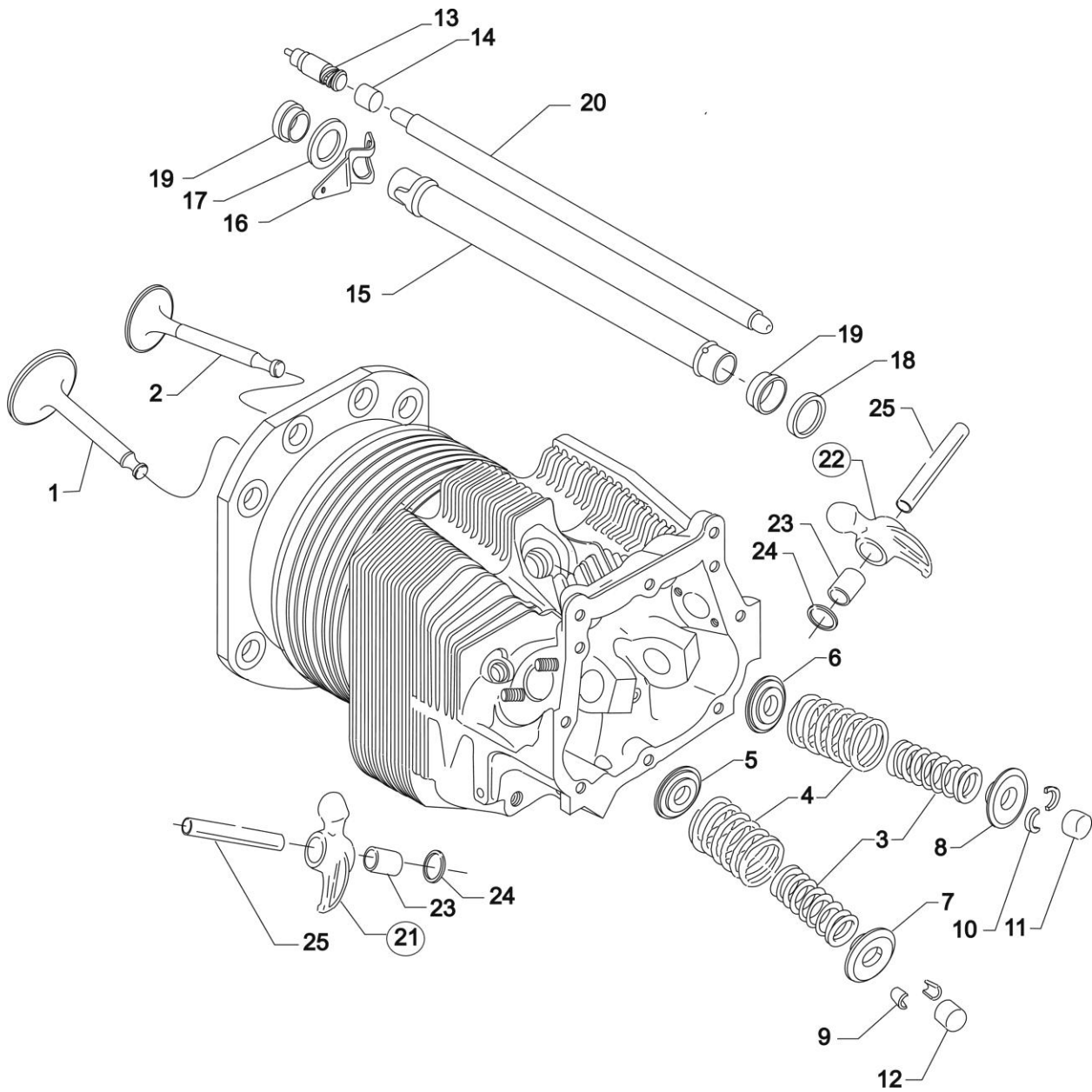
**Cylinder Assembly  
Figure 12**

**CYLINDER SECTION**  
**FIGURE 12 - CYLINDER ASSEMBLY**

Figure Item	Code	Part Number	Description	Units per Assembly
1		LW-12993	CYLINDER AND HEAD ASSEMBLY, Nitrided	6
2		LW-12688	SEAT, Intake valve	6
3		16T19468	SEAT, Exhaust valve	6
4	<b>P*</b>	LW-11956	GUIDE, Valve, intake, flanged	6
5	<b>P*</b>	LW-11958	GUIDE, Valve, exhaust, flanged	6
6		66796	INSERT, Spark plug, 18-1.5 MM	12
7		31C-12	STUD, 5/16-18 x 1-1/2 long	12
8		25C-8	STUD, 1/4-20 x 1.00 long	24
9		MS20823-6D	ELBOW, 45 Degree, 3/8 flared tube	6
10		66670	BUSHING, Rocker shaft, inner	24
11		72343	STABILIZER, Cylinder head fins, 15 teeth	6
12		72344	STABILIZER, Cylinder head fins, 26 teeth	6
13	**	1102	PLUG, 1/8-27 NPT, Allen head	6
14		77611	GASKET, Exhaust flange	6
15		STD-35	WASHER, 5/16 plain	12
16		STD-475	WASHER, 5/16 lock, internal teeth	12
17		STD-1410	NUT, 5/16-18, plain	12

**P** Lycoming proprietary part. Listed for reference purpose only, cannot be purchased.  
**\*** Refer to the latest revision of Lycoming Service Instruction No. 1256 for service valve guides.  
**\*\*** Assemble in cylinder head.





**Valve Assembly and Related Parts  
Figure 13**

**CYLINDER SECTION****FIGURE 13 – VALVE ASSEMBLY AND RELATED PARTS**

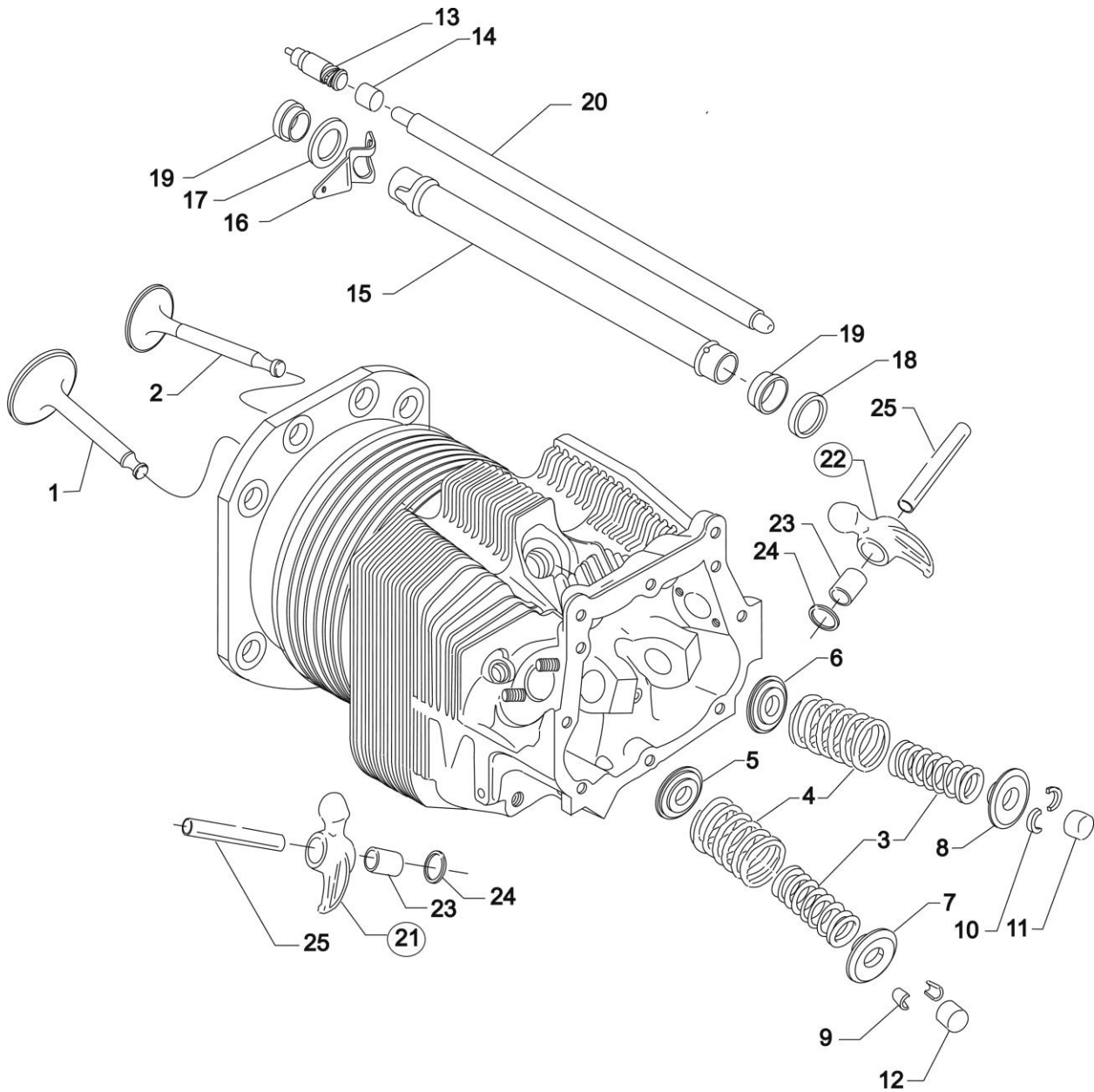
Figure Item	Code	Part Number	Description	Units per Assembly
1		17A23937	VALVE, Intake	6
2		17B23935	VALVE, Exhaust (rotator type)	6
3		LW-11797	SPRING, Valve, inner	12
4		LW-11796	SPRING, Valve, outer	12
5		LW-13321	SEAT, Valve spring, lower intake	6
6		LW-13322	SEAT, Valve spring, lower exhaust	6
7		69532	SEAT, Valve spring, upper intake	6
8		LW-16475	SEAT, Valve spring, upper exhaust (rotator type)	6
9		72050	KEY, Valve intake	12
10		17C21191	KEY, Valve exhaust (rotator type)	12
11		17C19386	CAP, Valve stem, exhaust (rotator type)	6
12		62388	CAP, Valve stem	6
13		15B26066	PLUNGER ASSEMBLY, Hydraulic lifter	12
14		15B21319	SOCKET, Hydraulic tappet	12
15		72255	SHROUD TUBE ASSEMBLY, Push rod, Flat Tappet	12
		15G23462	SHROUD TUBE ASSEMBLY, Push rod, Roller Tappet	12
16		15H21201	SPRING, Shroud tube	24
17		66728	WASHER, Flat Tappet, 23/32 I.D. x 1-1/4 O.D. x 1/32	12
		01L23459	WASHER, Roller Tappet, 25/32 I.D. x 1-3/8 O.D. x 3/64	12
18		61503	SLEEVE, Shroud tube seal	12
19		LW-18661	SEAL, Shroud tube, Flat Tappet	24
		06A23493	SEAL, Shroud tube, Roller Tappet	12
20	<b>AR*</b>	15F19957-52	ROD ASSEMBLY, Push	AR

**AR** as required

\* Refer to the latest revision of Service Instruction No. 1060 for complete push rod application.

\*\* Due to the size of the area where the part number is stamped, the last five digits may be all that is shown (21185, 21186).

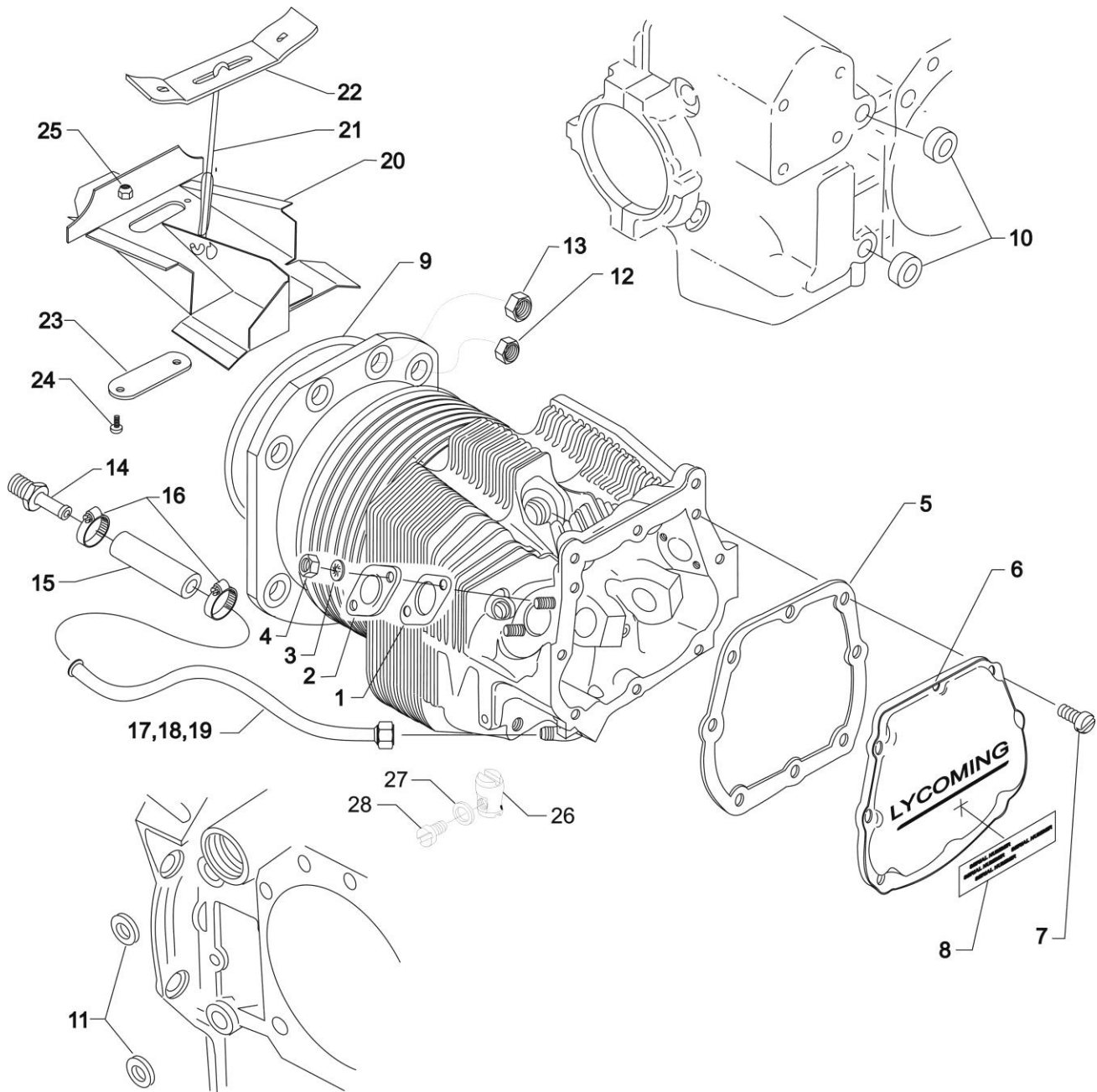
**NOTE:** Various push rod lengths are used to set valve clearances.



**Valve Assembly and Related Parts - cont.  
Figure 13**

**CYLINDER SECTION****FIGURE 13 – VALVE ASSEMBLY AND RELATED PARTS - CONT.**

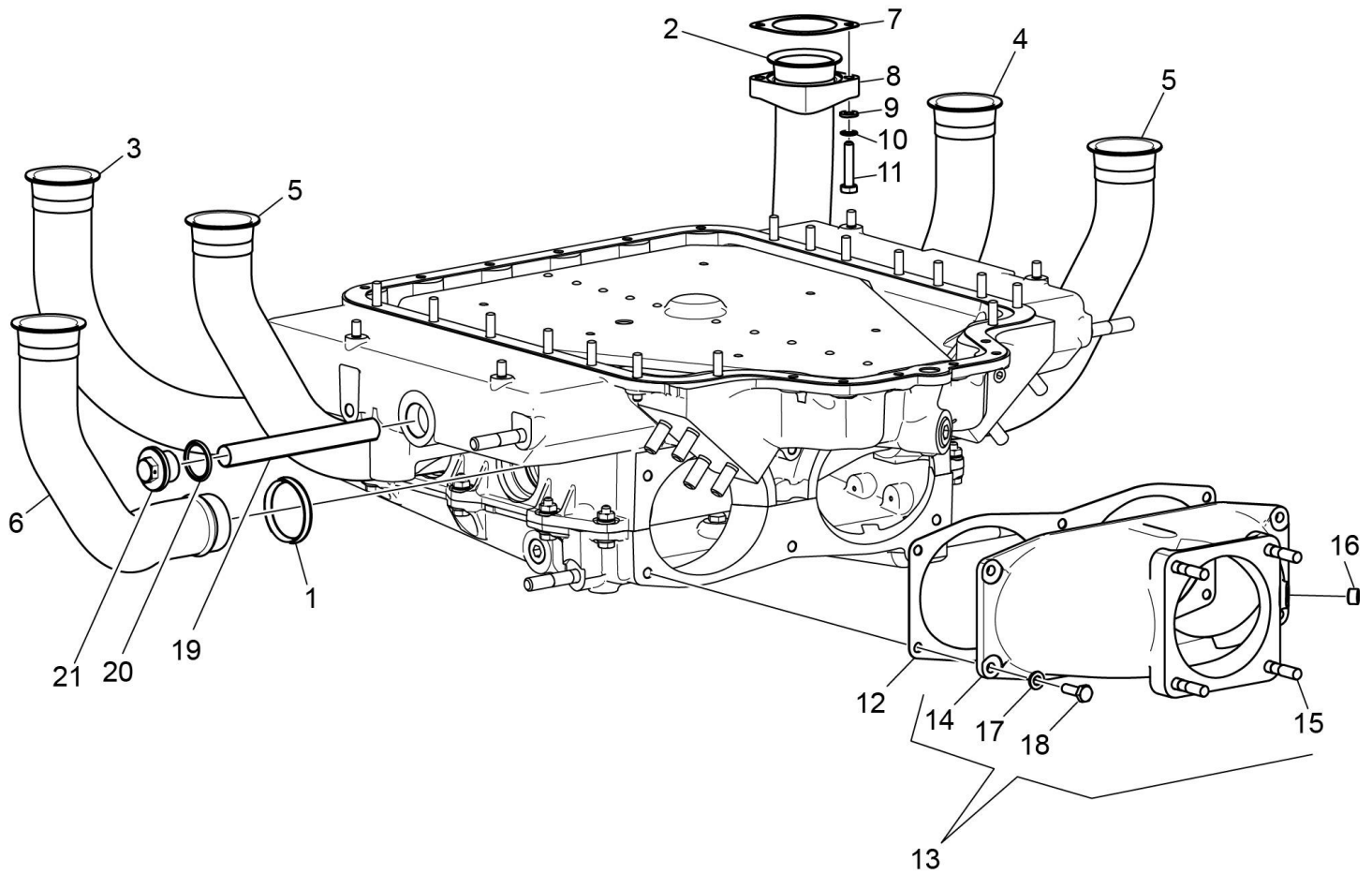
Figure Item	Code	Part Number	Description	Units per Assembly
	AR*	15F19957-53	ROD ASSEMBLY, Push	AR
	AR*	15F19957-54	ROD ASSEMBLY, Push	AR
	AR*	15F19957-55	ROD ASSEMBLY, Push	AR
	AR*	15F19957-56	ROD ASSEMBLY, Push	AR
	AR*	15F19957-57	ROD ASSEMBLY, Push	AR
	AR*	15F19957-58	ROD ASSEMBLY, Push	AR
	AR*	15F21362-18	ROD ASSEMBLY, Push, Alternate Heavy	AR
	AR*	15F21362-19	ROD ASSEMBLY, Push, Alternate Heavy	AR
	AR*	15F21362-20	ROD ASSEMBLY, Push, Alternate Heavy	AR
	AR*	15F21362-21	ROD ASSEMBLY, Push, Alternate Heavy	AR
	AR*	15F21362-22	ROD ASSEMBLY, Push, Alternate Heavy	AR
	AR*	15F21362-23	ROD ASSEMBLY, Push, Alternate Heavy	AR
	AR*	15F21362-24	ROD ASSEMBLY, Push, Alternate Heavy	AR
21	**	17F21186	ROCKER ASSEMBLY, Valve, intake	6
22	**	15F21185	ROCKER ASSEMBLY, Valve, exhaust	6
23		74389	BUSHING, Valve rocker	12
24		71549	WASHER, Valve rocker	12
25		72626	SHAFT, Valve rocker	12
<p><b>AR</b> as required  * Refer to the latest revision of Service Instruction No. 1060 for complete push rod application.  ** Due to the size of the area where the part number is stamped, the last five digits may be all that is shown (21185, 21186).  <b>NOTE:</b> Various push rod lengths are used to set valve clearances.</p>				



**Cylinder Related Parts  
Figure 14**

**CYLINDER SECTION****FIGURE 14 - CYLINDER RELATED PARTS**

Figure Item	Code	Part Number	Description	Units per Assembly
1		66732	GASKET, Valve rocker shaft cover	12
2		72710	COVER, Valve rocker shaft	12
3		STD-160	WASHER, 1/4 lock, internal teeth	24
4		STD-1411	NUT, 1/4-20 plain	24
5		67193	GASKET, Rocker box cover	6
6		68795	COVER ASSEMBLY, Rocker box	6
7		STD-1925	SCREW, 1/4-20 x 5/8 long, pan. head	48
8		74494	PLATE, Spark plug reach caution	6
9		71481	RING, Oil seal, 3/32 diameter x 4-27/32 I.D.	6
10		77906	SPACER, 33/64 I.D. x 7/8 O.D. x 1/8 thick	2
11		74887	SPACER, 33/64 I.D. x 7/8 O.D. x 3/8 thick	2
12		383-B	NUT, 3/8-24 plain	24
13		STD-2090	NUT, 1/2-20 plain	28
14		STD-684	NIPPLE, Straight, 3/8 I.D. hose	6
15		STD-2180	HOSE, 3/8 I.D. x 1-7/8 long	6
16		LW-15592-5-05	CLAMP, Hose	12
17		72702	TUBE ASSEMBLY, Cylinder head oil drain, cylinder #1	1
18		72703	TUBE ASSEMBLY, Cylinder head oil drain, cylinder #2	1
19		73027	TUBE ASSEMBLY, Cylinder head oil drain, cylinders #3, 4, 5, 6	4
20		75338	BAFFLE ASSEMBLY, Intercylinder	4
21		71610	HOOK, Intercylinder baffle	4
22		71611	RETAINER, Intercylinder baffle	4
23		72834	COVER, Baffle ignition cable hole	4
24		STD-692	SCREW, No. 10-32 x 1/2 long, round head	8
25		STD-670	LOCKNUT, No. 10-32	8
26		65614	PLUG, Baffle attaching	4
27		STD-251	WASHER, No. 10, internal lock	4
28		STD-1686	SCREW, No. 10-32 x 7/16 long	4

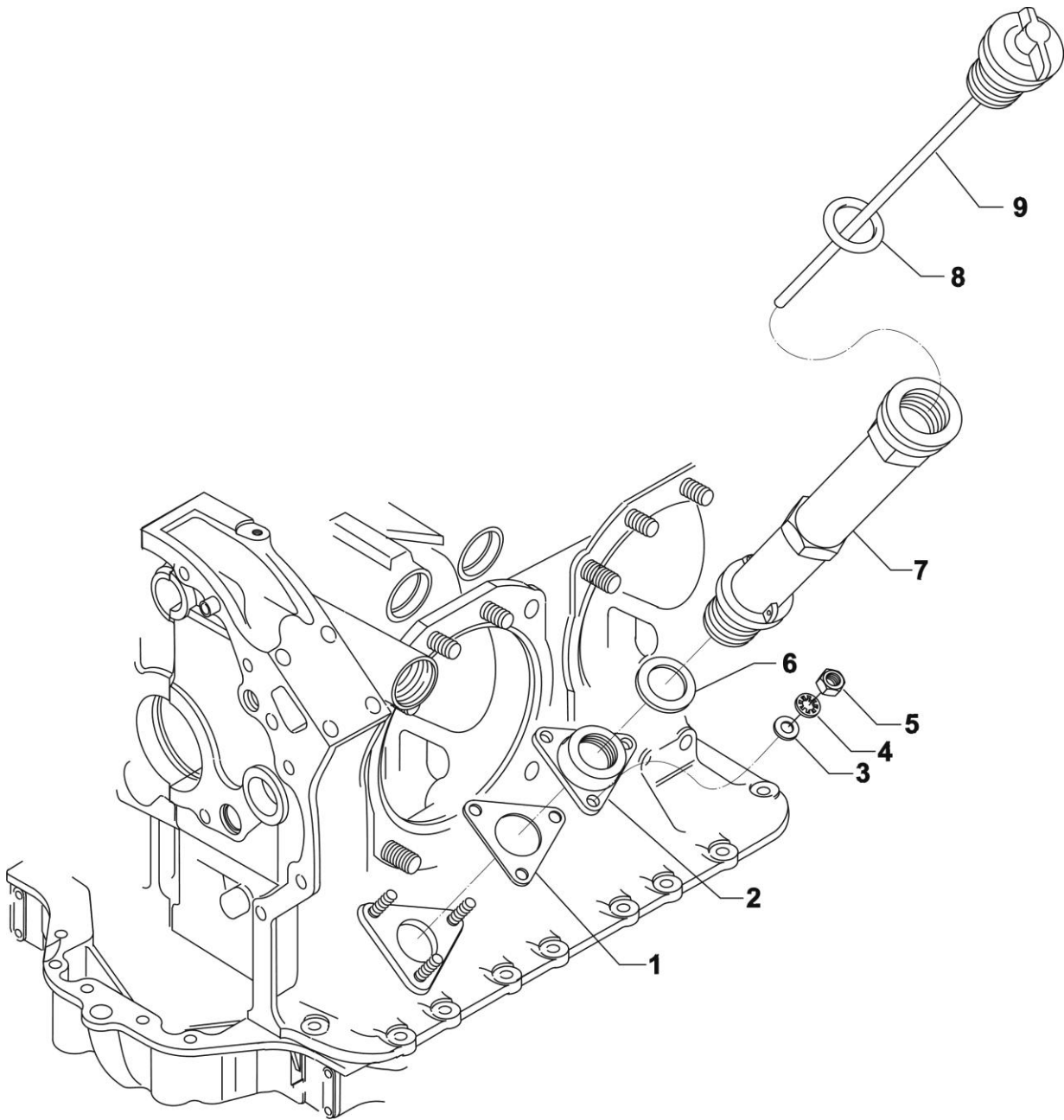


**Intake Pipes Assembly  
Figure 15**

**CYLINDER SECTION**  
**FIGURE 15 – INTAKE PIPES ASSEMBLY**

Figure Item	Code	Part Number	Description	Units per Assembly
1		72711	RING, Seal, intake pipes	6
2		LW-12191	PIPE, Intake, cylinder #1	1
3		LW-12192	PIPE, Intake, cylinder #2	1
4		LW-12193	PIPE, Intake, cylinder #3	1
5		LW-12194	PIPE, Intake, cylinders #4 and 5	2
6		LW-12195	PIPE, Intake, cylinder #6	1
7		71973	GASKET, 2 bolt flange, 1-3/4 I.D.	6
8		74360	FLANGE, Intake pipe, upper	6
9		STD-8	WASHER, 1/4 plain	12
10		STD-160	WASHER, 1/4 lock, internal teeth	12
11		LW-25-1.25	BOLT, 1/4-20 x 1-1/4 long, hex. head	12
12		72210	GASKET, Air inlet throttle housing	2
13		77653	HOUSING ASSEMBLY, Air inlet	1
14		LW-15673	HOUSING, Air inlet	1
15		31C-16	STUD, 5/16-18 x 2.00 long	4
16		1102	PLUG, 1/8 pipe	
17		STD-8	WASHER, 1/4 plain	6
18		LW-25-0.81	BOLT, 1/4-20 x 13/16 long, hex. head	6
19		60422	SCREEN, Oil suction	1
20		06E19769-1.00	GASKET, Annular, 1.00 I.D.	1
21		LW-12545	PLUG, 5/8 hex. head x 1.00-20 thread	1

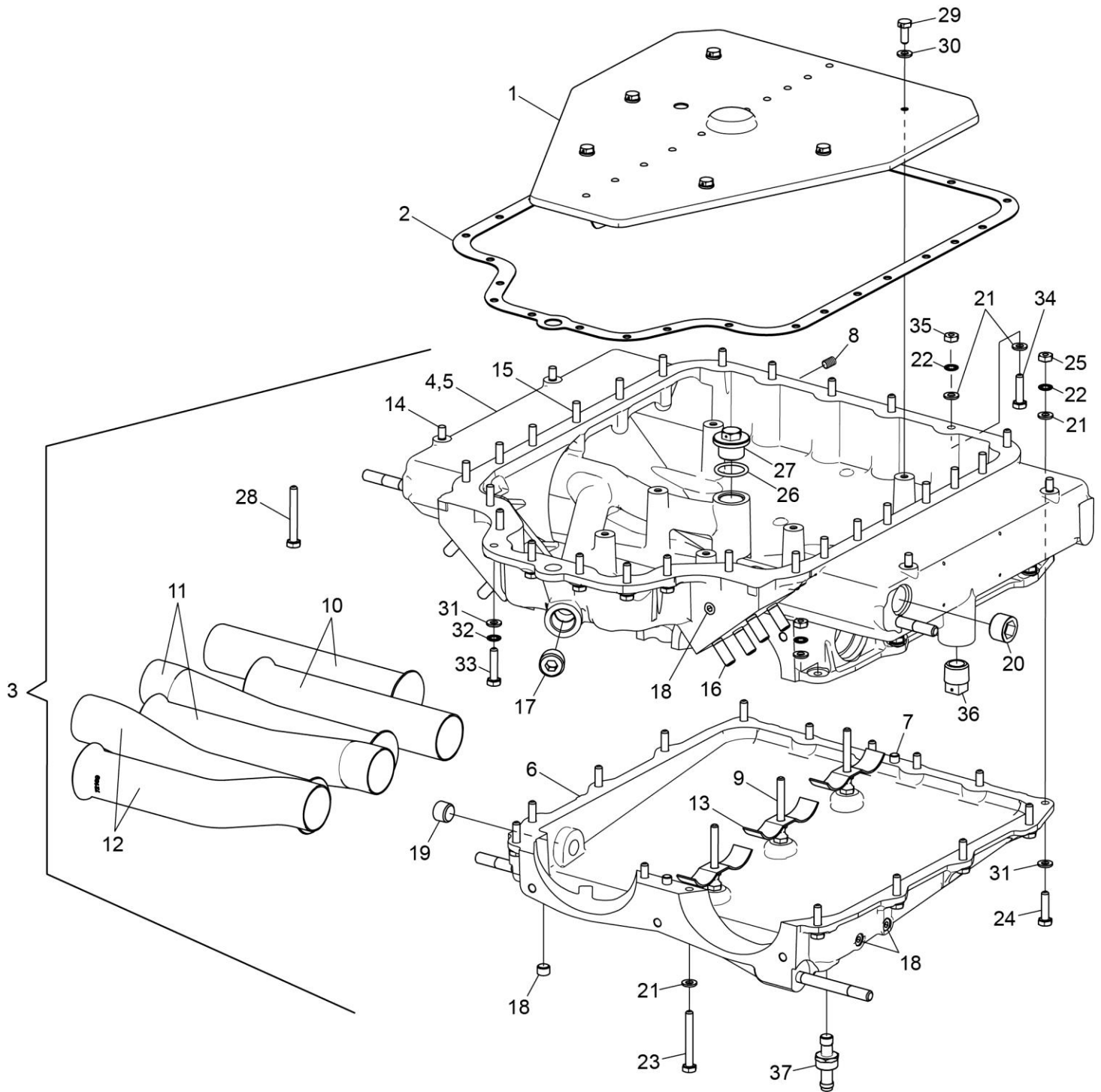




**Oil Level Gage Assembly and Engine Mounting Brackets  
Figure 16**

**LUBRICATION SYSTEM****FIGURE 16 – OIL LEVEL GAGE ASSEMBLY AND ENGINE MOUNTING BRACKETS**

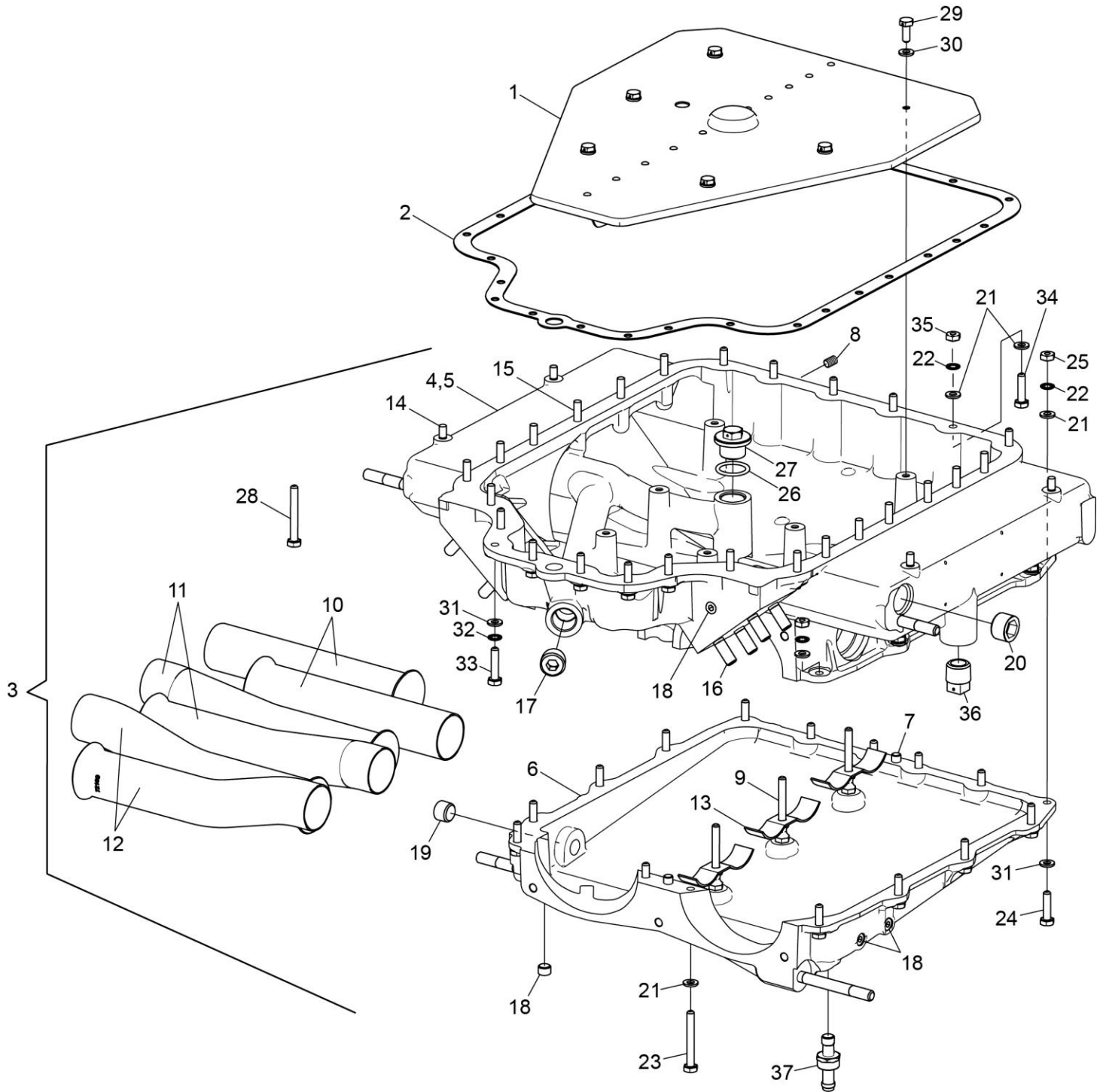
<b>Figure Item</b>	<b>Code</b>	<b>Part Number</b>	<b>Description</b>	<b>Units per Assembly</b>
1		LW-18481	GASKET, Oil filler adapter	1
2		LW-18482	ADAPTER, Oil filler tube	1
3		STD-28	WASHER, No. 10 plain	3
4		STD-251	WASHER, No. 10 internal lock	3
5		STD-63	NUT, No. 10-32 plain	3
6		72059	GASKET, Oil filler extension	1
7		LW-15970	TUBE, Oil level gage (3.00 long)	1
8		74068	RING, Oil level gage plug	1
9		LW-16783-30P	GAGE ASSEMBLY, Oil level	1



**Oil Sump and Induction Housing Assembly  
Figure 17**

**LUBRICATION SYSTEM****FIGURE 17 – OIL SUMP AND INDUCTION HOUSING ASSEMBLY**

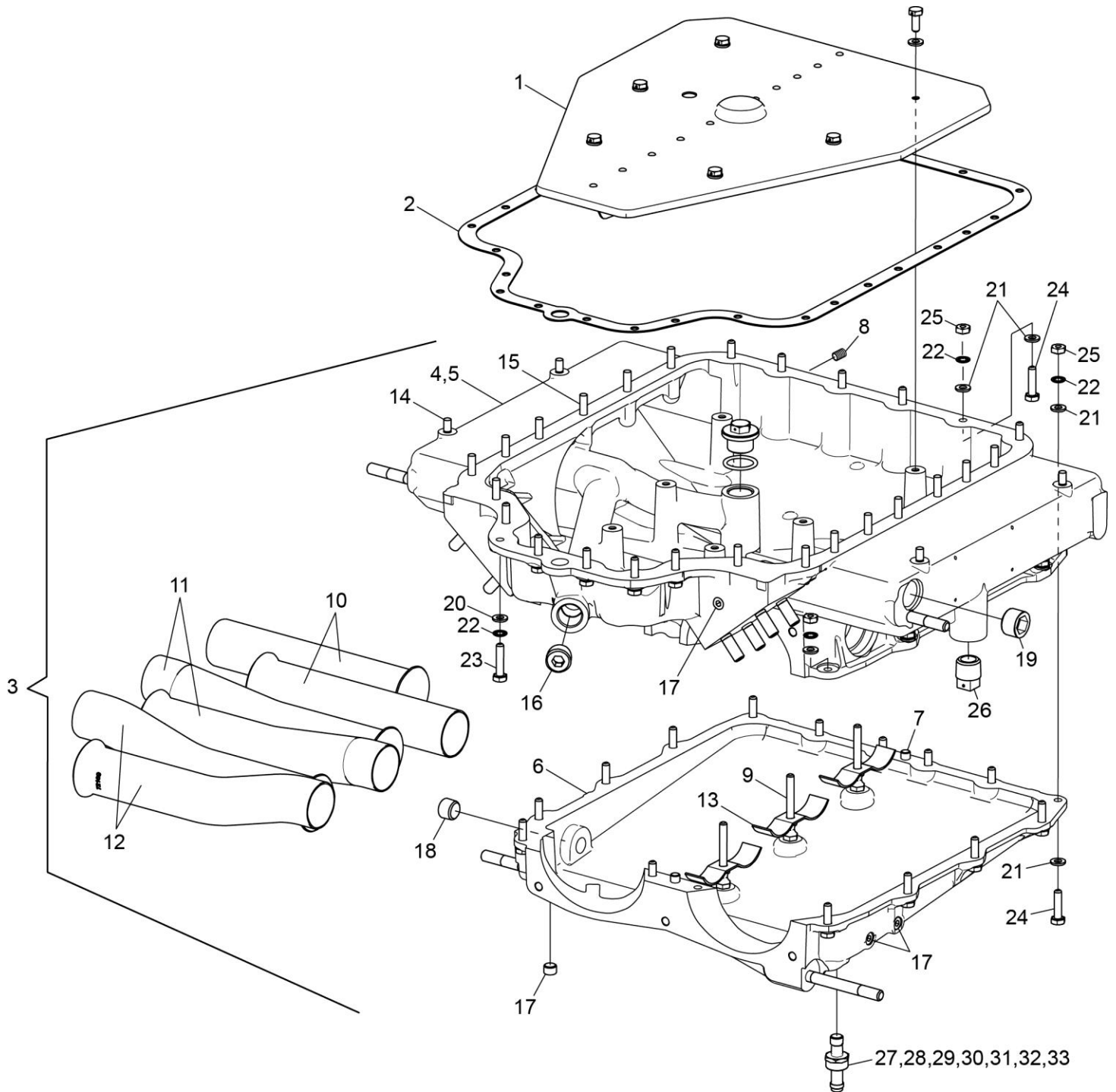
<b>Figure Item</b>	<b>Code</b>	<b>Part Number</b>	<b>Description</b>	<b>Units per Assembly</b>
1		56G26069	BAFFLE, Oil sump	1
2		06B21326	GASKET, Oil sump	1
3		56A26071-03	HOUSING ASSEMBLY, Oil sump and induction housing	1
4		56A26071	HOUSING, Holding assembly, oil sump and induction	1
5		56B23949	HOUSING, Oil sump and induction	1
6		LW-18291	COVER, Induction housing	1
7		STD-514	DOWEL, 5/16 diameter x 1/2 long	2
8		72706	INSERT, Heli-coil, 1/4-20 x 3/8 long	14
9		72179	STUD, Intake pipe extension	3
10		72167	PIPE, Extension, intake (cylinders 1 and 2)	2
11		72168	PIPE, Extension, intake (cylinders 3 and 4)	2
12		72169	PIPE, Extension, intake (cylinders 5 and 6)	2
13		LW-11273	CLAMP, Intake pipe extension	3
14		25C-9	STUD, 1/4-20 x 1-1/8 long	4
15		25C-11	STUD, 1/4-20 x 1-3/8 long	15
16		38-15	STUD, 3/8-16 x 1-7/8 long	8
17		STD-91	PLUG, 1/2-14 NPT, Allen head	1
18		1102	PLUG, 1/8-27 NPT, Allen head	5
19		STD-784	PLUG, 3/8-18 NPT, Allen head	1
20		STD-355	PLUG, 3/4-14 NPT	2
21	<b>AR</b>	STD-8	WASHER, 1/4 plain	AR
22		STD-160	WASHER, 1/4 lock, internal teeth	23
23		LW-25-2.00	BOLT, 1/4-20 x 2.00 long, hex head	2
24		LW-25-1.00	BOLT, 1/4-20 x 1.00 long, hex head	10
25		STD-1411	NUT, 1/4-20 plain	13
26		06E19769-0.91	GASKET, Annular, 29/32 I.D.	1
27		72960	PLUG, 7/8-14 x 5/8 hex head	1
28		LW-25-2.00	BOLT, 1/4-20 x 13/16 long, hex head	4
29		LW-25H0.63	BOLT, 1/4-20 x 5/8 long, hex head, drilled	6
30		STD-8	WASHER, 1/4 plain	6
31	<b>AR</b>	STD-8	WASHER, 1/4 plain	AR
32		STD-160	WASHER, 1/4 lock, internal teeth	23
33		LW-25-1.13	BOLT, 1/4-20 x 1-1/8 long, hex head	6
34		LW-25-1.00	BOLT, 1/4-20 x 1.00 long, hex head	6
<b>AR as required</b>				



**Oil Sump and Induction Housing Assembly - cont.**  
**Figure 17**

**LUBRICATION SYSTEM****FIGURE 17 – OIL SUMP AND INDUCTION HOUSING ASSEMBLY - CONT.**

<b>Figure Item</b>	<b>Code</b>	<b>Part Number</b>	<b>Description</b>	<b>Units per Assembly</b>
35	AR	STD-1411	NUT, 1/4-20 plain	AR
36		STD-551	PLUG, 1/2-14 NPT, square head, drilled	2
37		75444	ADAPTER ASSEMBLY, Fuel drain valve	2
<b>AR as required</b>				

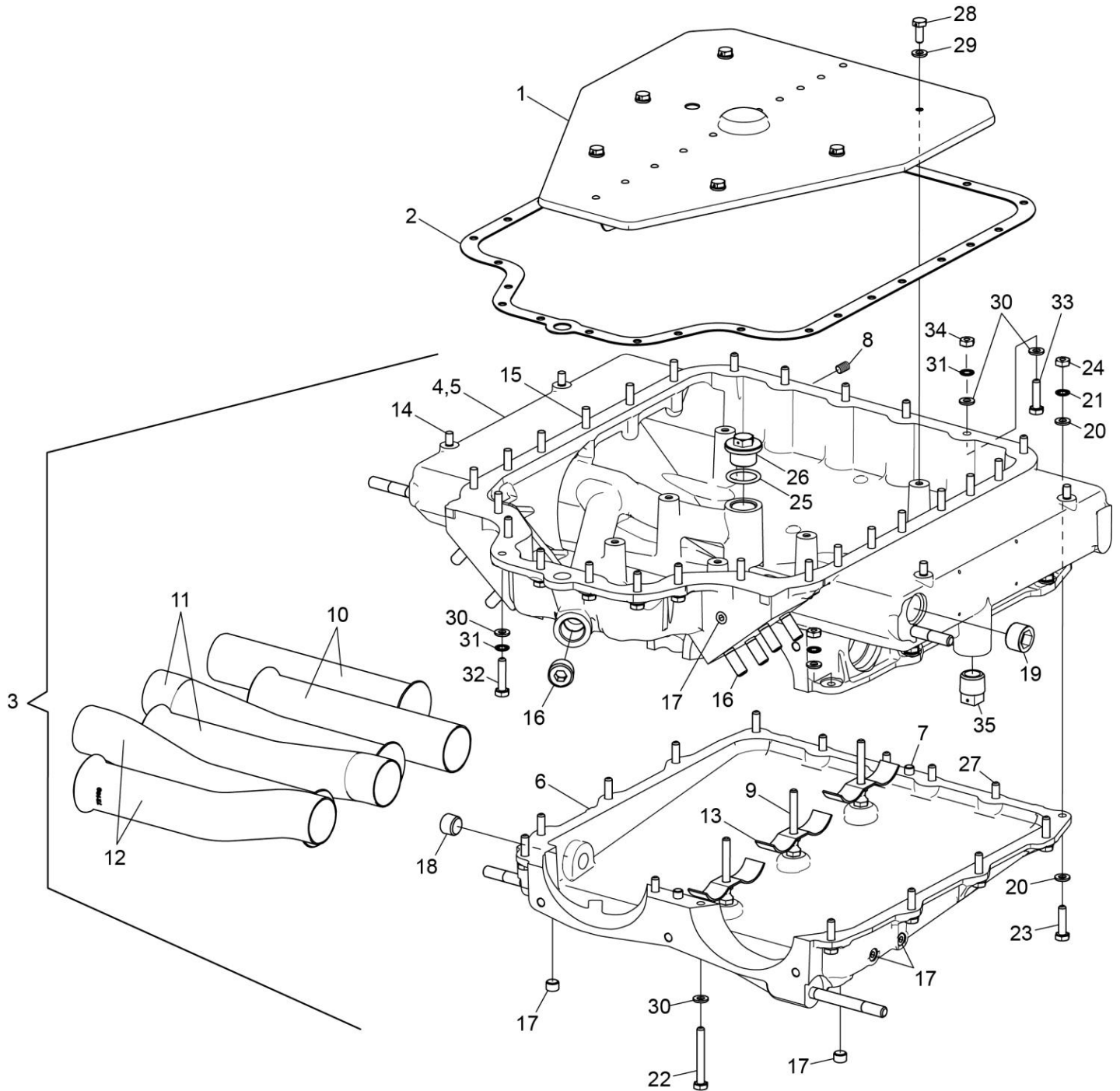


**Oil Sump and Induction Housing Assembly  
Figure 18**

**LUBRICATION SYSTEM****FIGURE 18 – OIL SUMP AND INDUCTION HOUSING ASSEMBLY**

<b>Figure Item</b>	<b>Code</b>	<b>Part Number</b>	<b>Description</b>	<b>Units per Assembly</b>
1		56G26069	BAFFLE, Oil sump	1
2		06B21326	GASKET, Oil sump	1
3		56A26071-09	HOUSING ASSEMBLY, Oil sump and induction housing	1
4		56A26071	HOUSING, Holding assembly, oil sump and induction	1
5		56B23949	HOUSING, Oil sump and induction	1
6		LW-18291	COVER, Induction housing	1
7		STD-514	DOWEL, 5/16 diameter x 1/2 long	2
8		72706	INSERT, Heli-coil, 1/4-20 x 3/8 long	14
9		72179	STUD, Intake pipe extension	3
10		72167	PIPE, Extension, intake (cylinders 1 and 2)	2
11		72168	PIPE, Extension, intake (cylinders 3 and 4)	2
12		72169	PIPE, Extension, intake (cylinders 5 and 6)	2
13		LW-11273	CLAMP, Intake pipe extension	3
14		25C-9	STUD, 1/4-20 x 1-1/8 long	4
15		25C-11	STUD, 1/4-20 x 1-3/8 long	15
16		STD-91	PLUG, 1/2-14 NPT, Allen head	1
17		1102	PLUG, 1/8-27 NPT, Allen head	5
18		STD-784	PLUG, 3/8-18 NPT, Allen head	1
19		STD-355	PLUG, 3/4-14 NPT	2
20		STD-8	WASHER, 1/4 plain	6
21	<b>AR</b>	STD-8	WASHER, 1/4 plain	AR
22		STD-160	WASHER, 1/4 lock, internal teeth	23
23		LW-25-1.13	BOLT, 1/4-20 x 1-1/8 long, hex head	6
24		LW-25-1.00	BOLT, 1/4-20 x 1.00 long, hex head	8
25		STD-1411	NUT, 1/4-20 plain	25
26		STD-551	PLUG, 1/2-14 NPT, square head, drilled	2
27		LW-13807	ADAPTER ASSEMBLY, Fuel drain valve	1
28		LW-13806	ADAPTER, Fuel drain valve	1
29		LW-13805	CONNECTION, Fuel drain valve	1
30		LW-13874	SPRING, Fuel drain valve	2
31		LW-13927	DISC, Fuel drain valve	1
32		MS-28775-015	O-RING, 35/64 I.D. x 45/64 diameter	1
33		MS-16625-1068	RING, Internal retaining	1
<b>AR as required</b>				

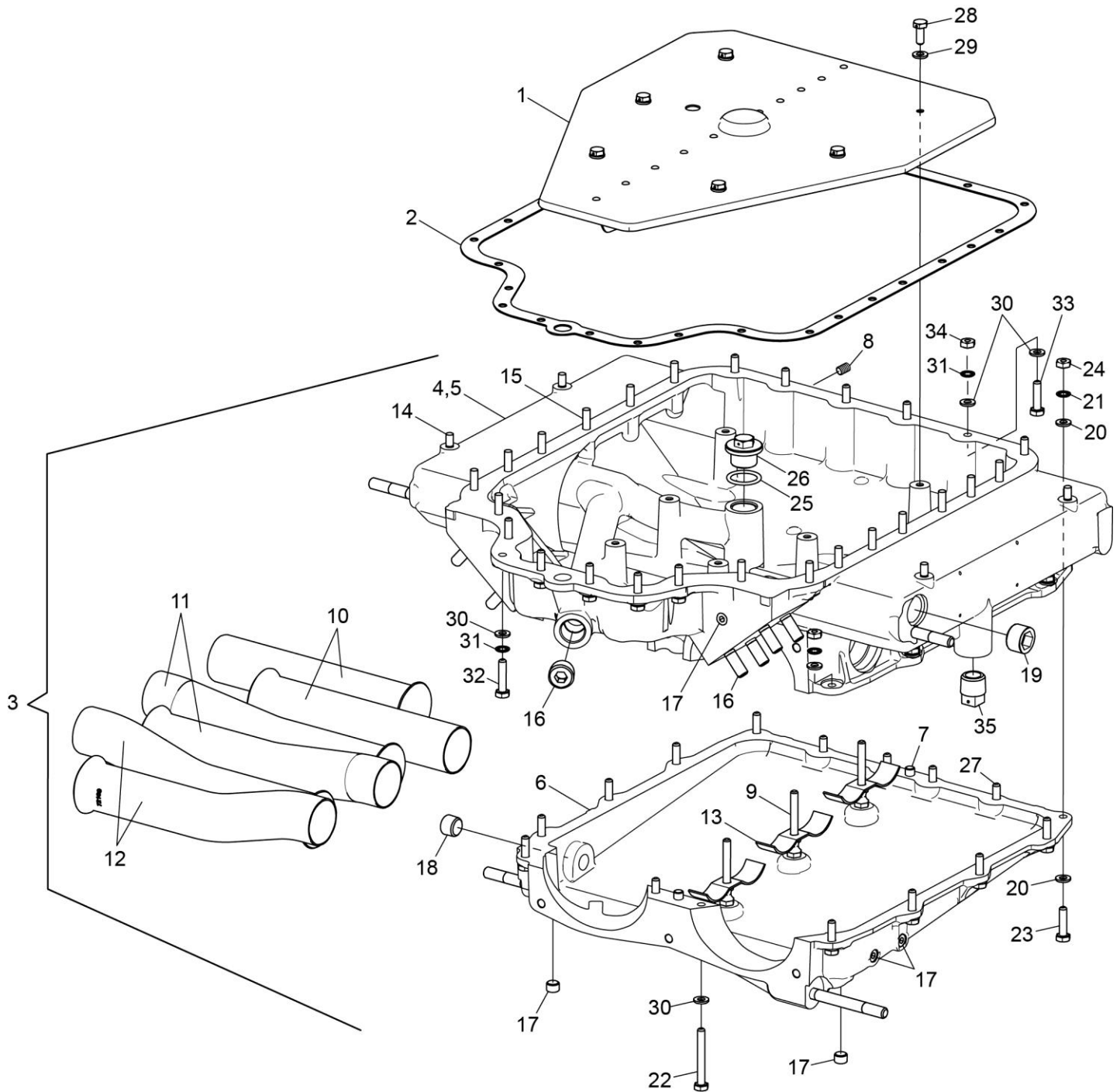




**Oil Sump and Induction Housing Assembly  
Figure 19**

**LUBRICATION SYSTEM****FIGURE 19 – OIL SUMP AND INDUCTION HOUSING ASSEMBLY**

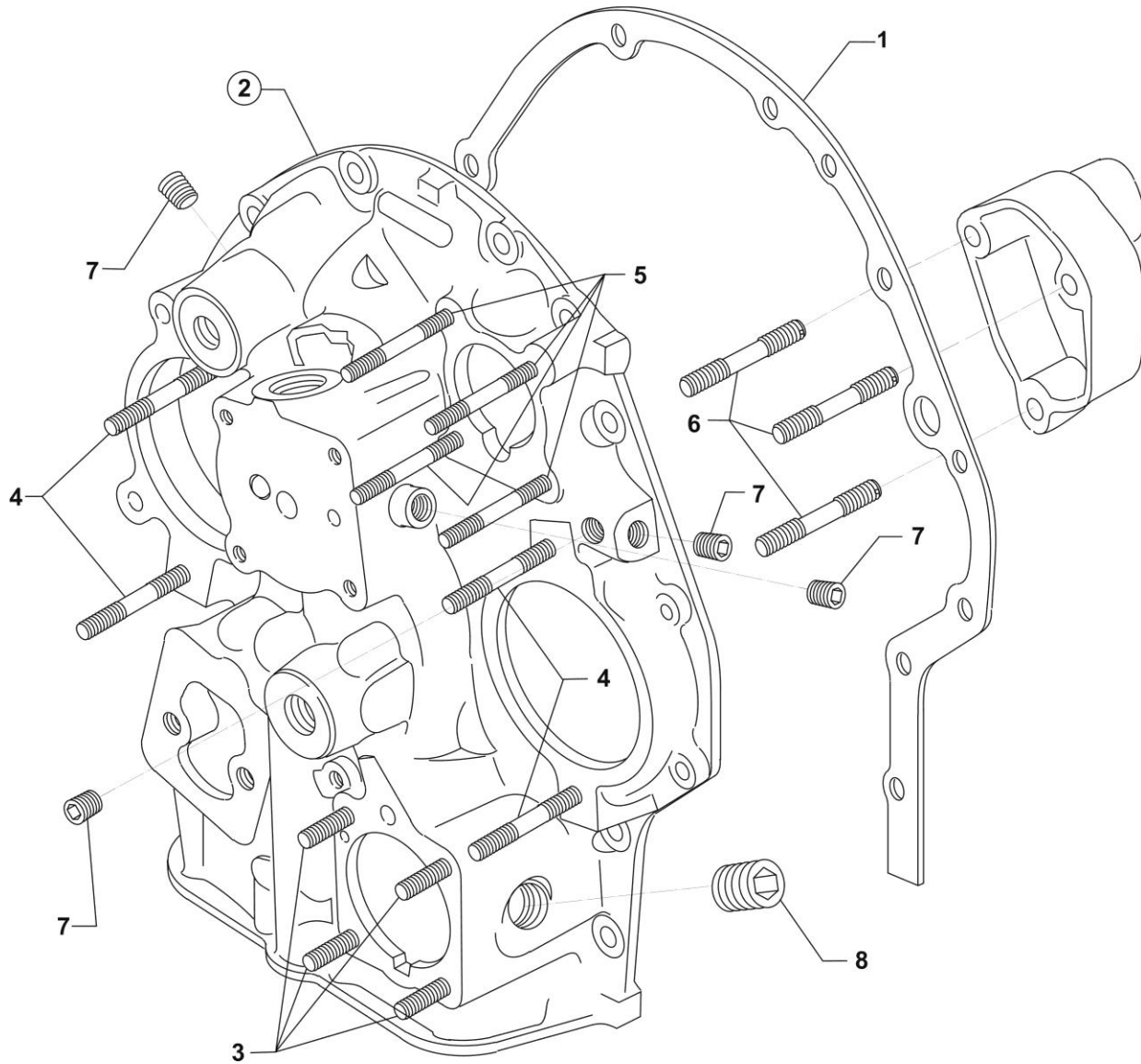
<b>Figure Item</b>	<b>Code</b>	<b>Part Number</b>	<b>Description</b>	<b>Units per Assembly</b>
1		56G26069	BAFFLE, Oil sump	1
2		06B21326	GASKET, Oil sump	1
3		56A26071-09	HOUSING ASSEMBLY, Oil sump and induction housing	1
4		56A26071	HOUSING, Holding assembly, oil sump and induction	1
5		56B23949	HOUSING, Oil sump and induction	1
6		LW-18291	COVER, Induction housing	1
7		STD-514	DOWEL, 5/16 diameter x 1/2 long	2
8		72706	INSERT, Heli-coil, 1/4-20 x 3/8 long	14
9		72179	STUD, Intake pipe extension	3
10		72167	PIPE, Extension, intake (cylinders 1 and 2)	2
11		72168	PIPE, Extension, intake (cylinders 3 and 4)	2
12		72169	PIPE, Extension, intake (cylinders 5 and 6)	2
13		LW-11273	CLAMP, Intake pipe extension	3
14		25C-9	STUD, 1/4-20 x 1-1/8 long	4
15		25C-11	STUD, 1/4-20 x 1-3/8 long	15
16		STD-91	PLUG, 1/2-14 NPT, Allen head	1
17		1102	PLUG, 1/8-27 NPT, Allen head	5
18		STD-784	PLUG, 3/8-18 NPT, Allen head	1
19		STD-355	PLUG, 3/4-14 NPT	2
20	<b>AR</b>	STD-8	WASHER, 1/4 plain	AR
21		STD-160	WASHER, 1/4 lock, internal teeth	23
22		LW-25-2.00	BOLT, 1/4-20 x 2.00 long, hex head	2
23		LW-25-1.00	BOLT, 1/4-20 x 1.00 long, hex head	10
24		STD-1411	NUT, 1/4-20 plain	13
25		06E19769-0.91	GASKET, Annular, 29/32 I.D.	1
26		72960	PLUG, 7/8-14 x 5/8 hex head	1
27		LW-25-0.81	BOLT, 1/4-20 x 13/16 long, hex head	4
28		LW-25H0.63	BOLT, 1/4-20 x 5/8 long, hex head, drilled	6
29		STD-8	WASHER, 1/4 plain	6
30	<b>AR</b>	STD-8	WASHER, 1/4 plain	AR
31		STD-160	WASHER, 1/4 lock, internal teeth	23
32		LW-25-1.13	BOLT, 1/4-20 x 1-1/8 long, hex head	6
33		LW-25-1.00	BOLT, 1/4-20 x 1.00 long, hex head	6
<b>AR as required</b>				



**Oil Sump and Induction Housing Assembly - cont.**  
**Figure 19**

**LUBRICATION SYSTEM****FIGURE 19 – OIL SUMP AND INDUCTION HOUSING ASSEMBLY - CONT.**

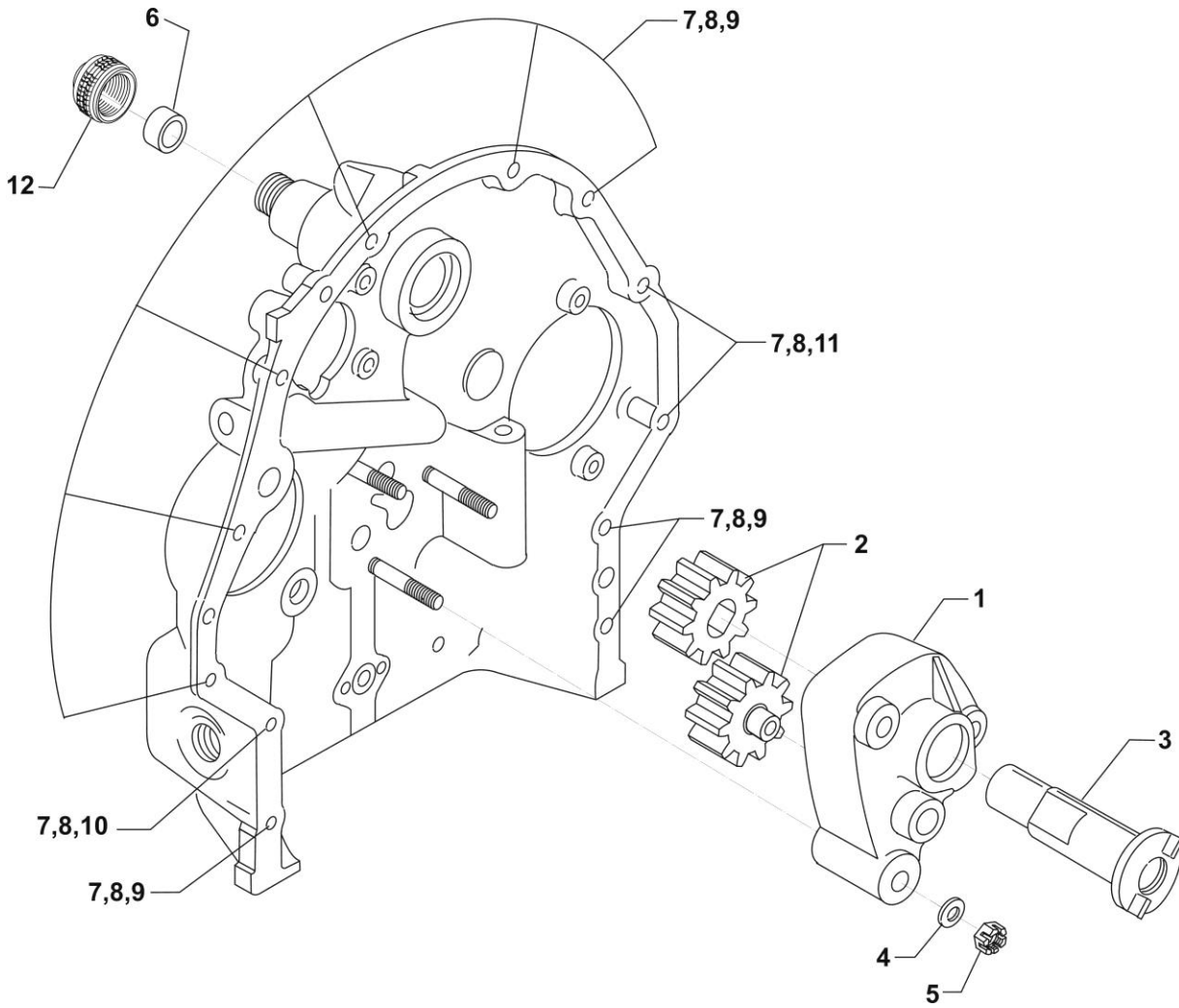
<b>Figure Item</b>	<b>Code</b>	<b>Part Number</b>	<b>Description</b>	<b>Units per Assembly</b>
34		STD-1411	NUT, 1/4-20 plain	AR
35		STD-551	PLUG, 1/2-14 NPT, square head, drilled	2
<b>AR</b> as required				



**Accessory Housing Assembly  
Figure 20**

**ACCESSORY DRIVES****FIGURE 20 – ACCESSORY HOUSING ASSEMBLY**

<b>Figure Item</b>	<b>Code</b>	<b>Part Number</b>	<b>Description</b>	<b>Units per Assembly</b>
1		73818	GASKET, Accessory housing	1
2		21C21539-03	HOUSING ASSEMBLY, Accessory	1
		21C21546-03	HOUSING ASSEMBLY, Accessory, Roller Tappet Model, No Propeller Gov. Drive	1
3		31C-12	STUD, 5/16-18 x 1-1/2 long	4
4		31C-21	STUD, 5/16-18 x 2-5/8 long	4
5		25C-12	STUD, 1/4-20 x 1-1/2 long	4
6		31CD-17	STUD, 5/16-18 x 2-1/8 long, drilled	3
7		1102	PLUG, 1/8-27 NPT, Allen head	4
8		STD-784	PLUG, 3/8 -18 NPT, Allen head	1



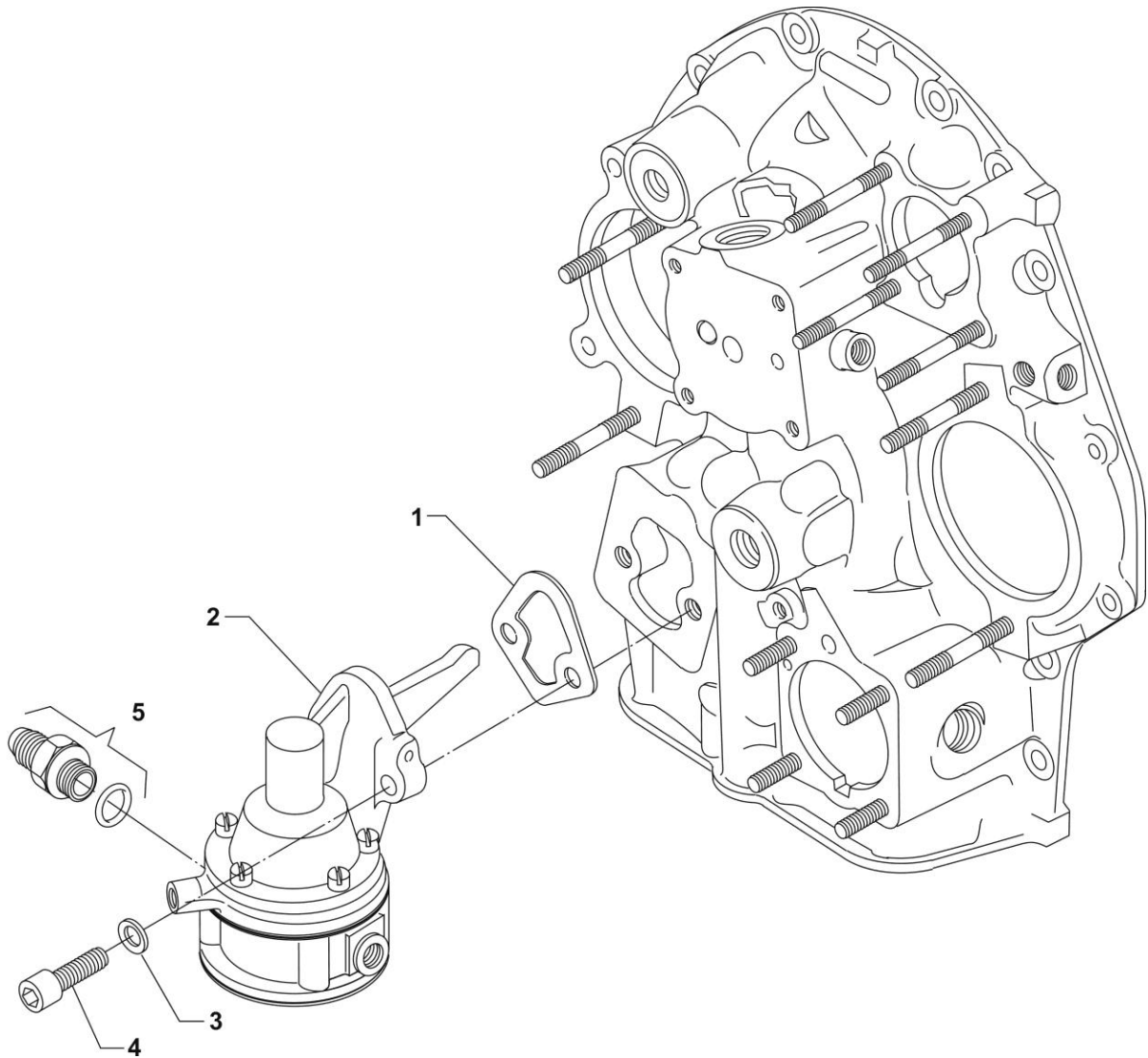
**Oil Pump Assembly and Accessory Housing Attaching Parts  
Figure 21**

**ACCESSORY DRIVES****FIGURE 21 – OIL PUMP ASSEMBLY AND ACCESSORY HOUSING ATTACHING PARTS**

<b>Figure Item</b>	<b>Code</b>	<b>Part Number</b>	<b>Description</b>	<b>Units per Assembly</b>
1		78531	BODY ASSEMBLY, Oil pump	1
2	*	05K19423-S	OIL PUMP IMPELLER KIT	1
3		74641	SHAFT, Oil pump drive	1
4		STD-35	WASHER, 5/16 plain	3
5		STD-1420	NUT, 5/16-18 slotted	3
6		LW-14260	SEAL, Tachometer drive, oil	1
7		STD-8	WASHER, 1/4 plain	12
8		STD-160	WASHER, 1/4 lock, internal teeth	12
9		LW-25-0.94	BOLT, 1/4-20 x 15/16 long, hex. head	9
10		LW-25-1.13	BOLT, 1/4-20 x 1-1/8 long, hex. head	1
11		LW-25-1.44	BOLT, 1/4-20 x 1-7/16 long, hex. head	2
12		62732	CAP, Tachometer boss (metal)	1

\* - To ensure impellers are replaced together, oil pump impellers available in kit form only.

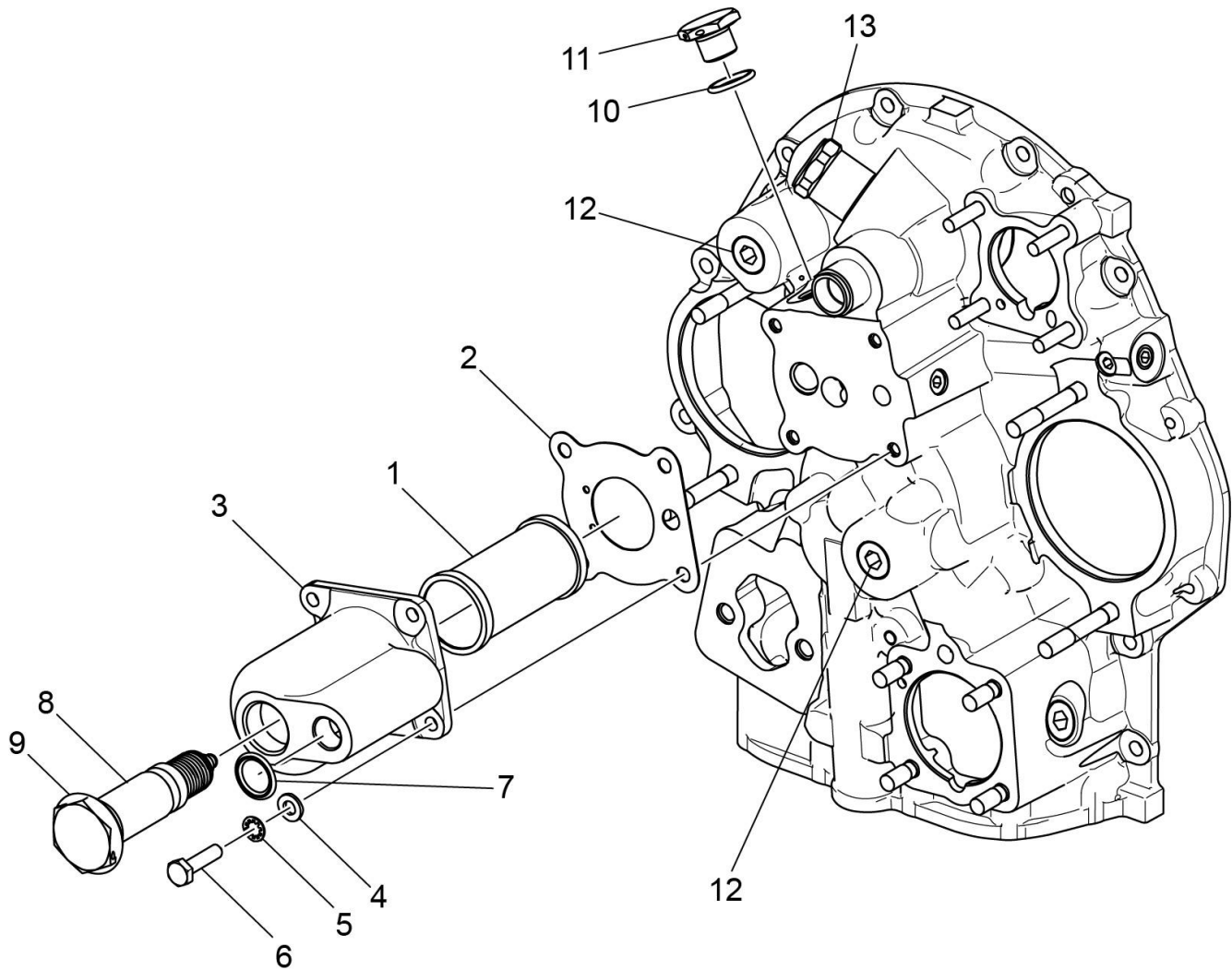




**Fuel Pump Assembly and Attaching Parts  
Figure 22**

**ACCESSORY DRIVES****FIGURE 22 - FUEL PUMP ASSEMBLY AND ATTACHING PARTS**

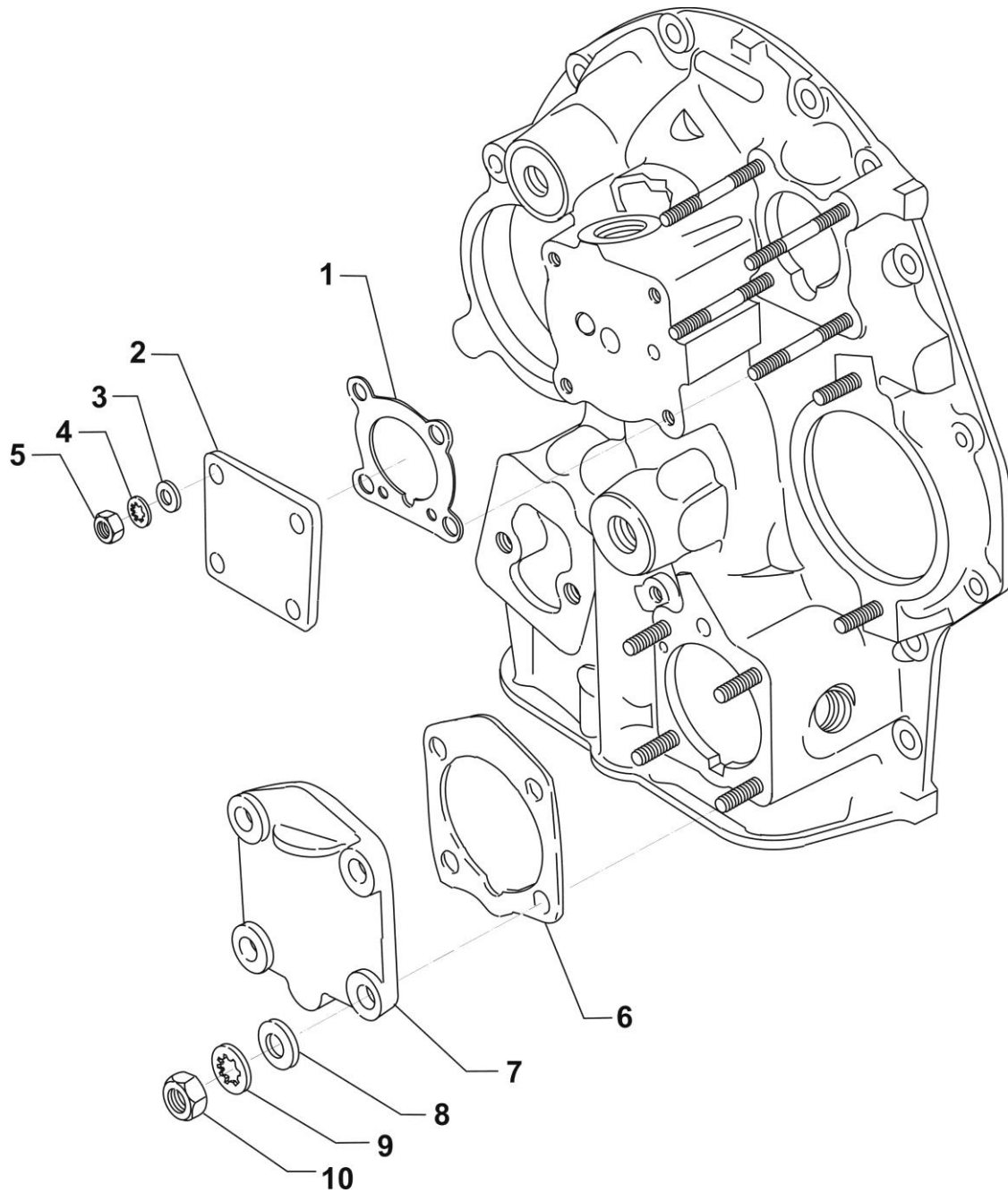
<b>Figure Item</b>	<b>Code</b>	<b>Part Number</b>	<b>Description</b>	<b>Units per Assembly</b>
1		60096	GASKET, Fuel pump	1
2		LW-15473	FUEL PUMP, Dual diaphragm	1
3		STD-33	WASHER, 3/8 plain	2
4		STD-1882	SCREW, 3/8-16 x 1-9/32 long, socket drive	2
5	*	LW-16561	NIPPLE, 1/4 tube, 9/16-18 thread	1
* Requires P/N MS2512-06 O Ring				



**Oil Pressure Screen and Bypass Valve Assembly  
Figure 23**

**ACCESSORY DRIVES****FIGURE 23 – OIL PRESSURE SCREEN AND BYPASS VALVE ASSEMBLY**

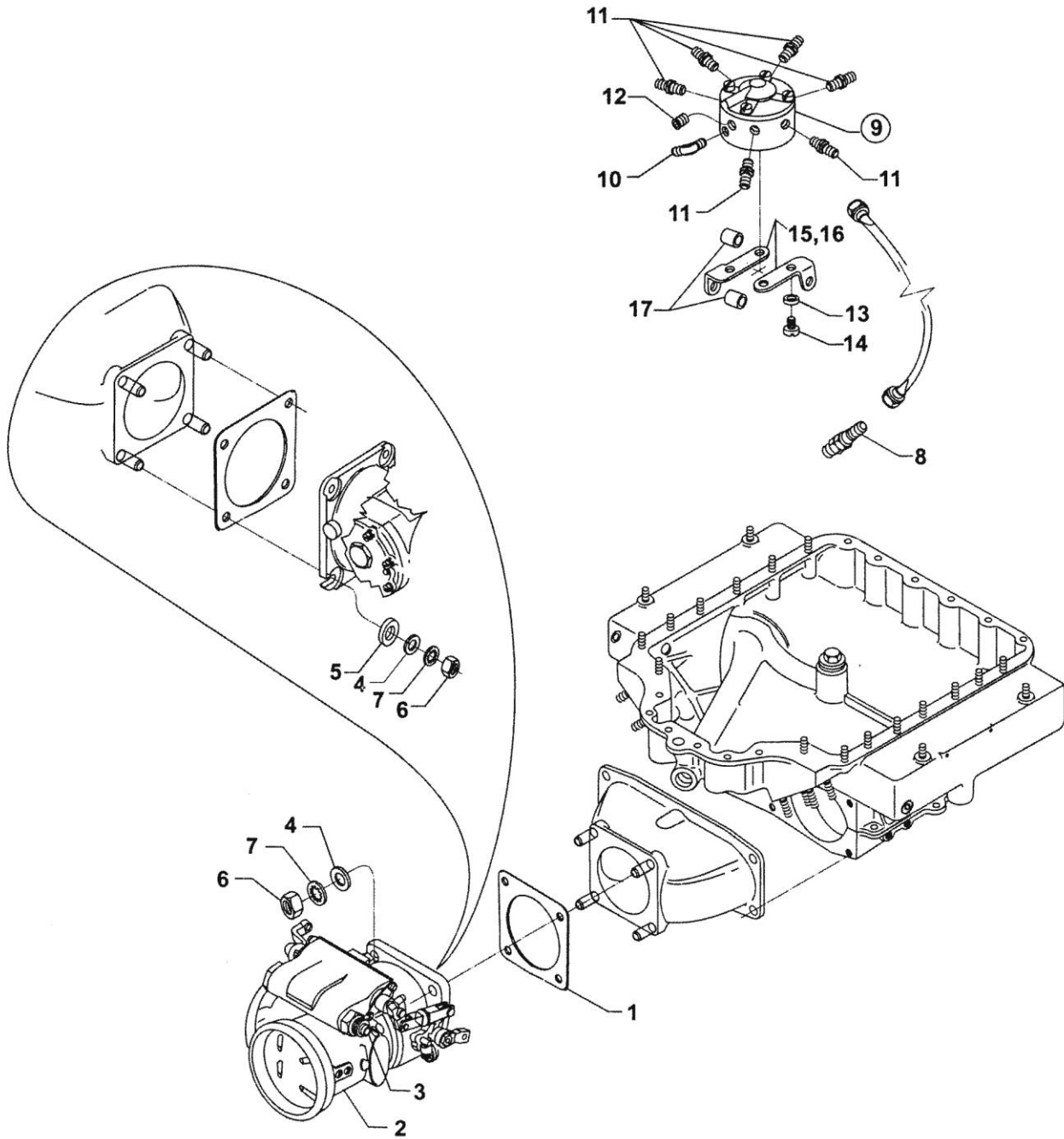
<b>Figure Item</b>	<b>Code</b>	<b>Part Number</b>	<b>Description</b>	<b>Units per Assembly</b>
1		62817	SCREEN ASSEMBLY, Oil pressure	1
2		61173	GASKET, Oil pressure housing	1
3		69510	HOUSING, Oil pressure screen	1
4		STD-8	WASHER, 1/4 plain	4
5		STD-160	WASHER, 1/4 lock, internal teeth	4
6		LW-25-1.00	BOLT, 1/4-20 x 1.00 long hex head	4
7		06E19769-0.63	GASKET, 5/8 I.D. annular	1
8		53E22144	VALVE ASSEMBLY, Temperature control oil cooler bypass	1
9		76510	GASKET, Oil cooler bypass valve	1
10		06E19769-0.63	GASKET, 5/8 I.D. annular	1
11		62417	PLUG, Oil cooler bypass	1
12		STD-784	PLUG, 3/8-18 NPT Allen head	2
13		72996	FITTING, Breather	1



**Vacuum and Hydraulic Pump Covers**  
**Figure 24**

**ACCESSORY DRIVES****FIGURE 24 – VACUUM AND HYDRAULIC PUMP COVERS**

<b>Figure Item</b>	<b>Code</b>	<b>Part Number</b>	<b>Description</b>	<b>Units per Assembly</b>
1		61183	GASKET, Accessory adapter	1
2		60430	COVER, Vacuum pump	1
3		STD-8	WASHER, 1/4 plain	4
4		STD-160	WASHER, 1/4 lock, internal teeth	4
5		STD-1411	NUT, 1/4-20 plain	4
6		69551	GASKET, Accessory drive adapter	1
7		69106	COVER, Governor drive adapter pad	1
8		STD-35	WASHER, 5/16 plain	4
9		STD-475	WASHER, 5/16 lock, internal teeth	4
10		STD-1410	NUT, 5/16-18 plain	4

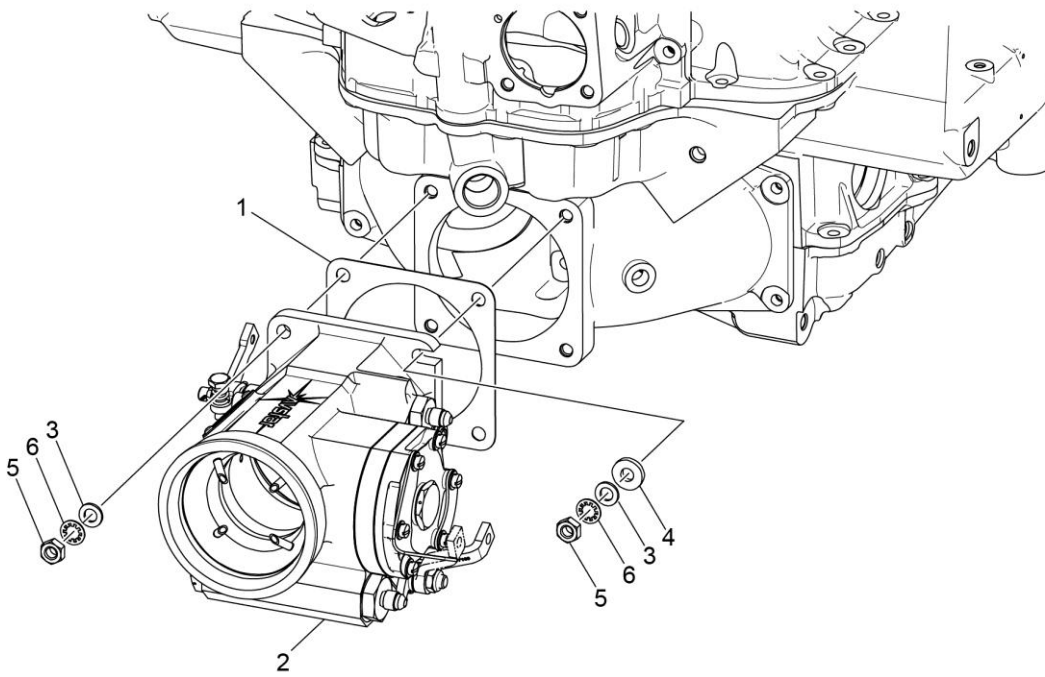
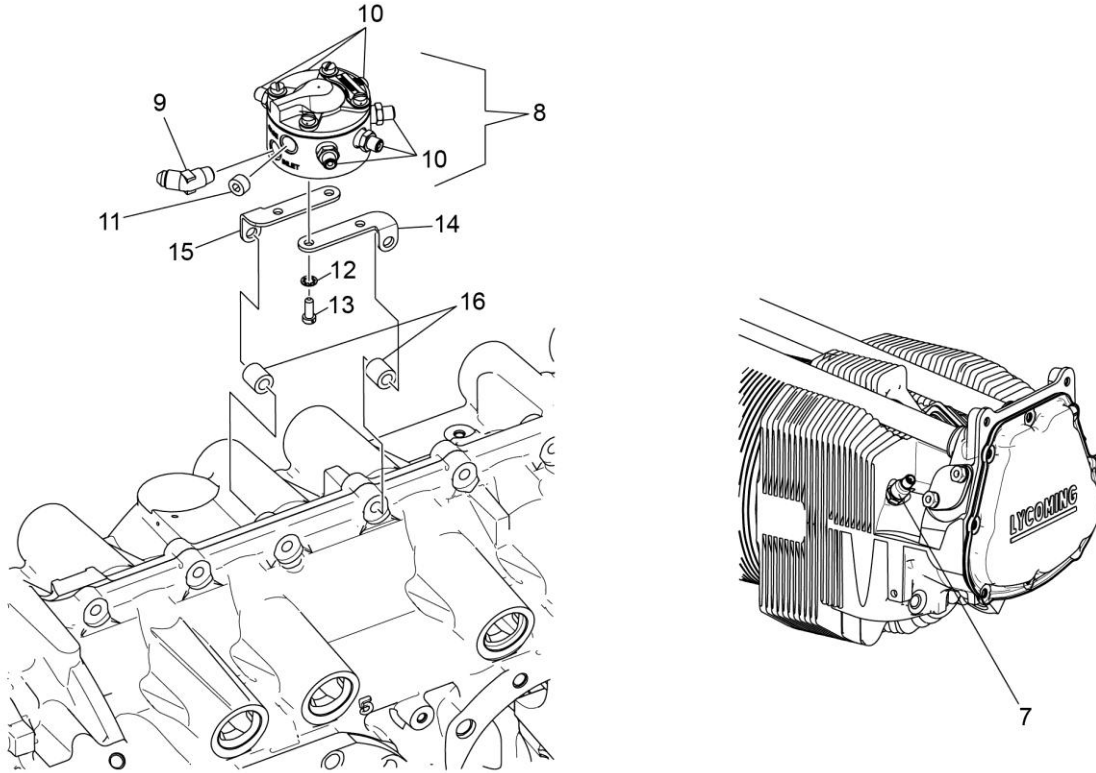


**Fuel Injector, Fuel Manifold and Injection Nozzles  
Figure 25**

**FUEL DISTRIBUTION****FIGURE 25 – FUEL INJECTOR, FUEL MANIFOLD AND INJECTION NOZZLES**

Figure Item	Code	Part Number	Description	Units per Assembly
1	*	73032	GASKET, Fuel injector	2
2		61M26405	FUEL INJECTOR, RSA-10AD1 P/N AV2576630-4	1
3	**	LW-16561	NIPPLE, 1/4 tube to 9/16-18 thread	1
4		STD-35	WASHER, 5/16 plain	2
5		STD-1727	WASHER, 21/64 I.D. x 3/4 O.D. x 1/8 thick	2
6		STD-1410	NUT, 5/16-18 plain	4
7		STD-475	WASHER, 5/16 lock, internal teeth	4
8		63C26450	NOZZLE, Injection (AV2524864-2)	6
9		63D26710	MANIFOLD ASSEMBLY, Fuel (4 psi)	1
10		MS20823-4	ELBOW, 1/8 NPT to 1/4 flared tube	1
11		STD-148	NIPPLE, Union 1/8 NPT	6
12		1102	PLUG, 1/8-27 NPT, Allen head	1
13		STD-251	WASHER, No. 10 lock, internal teeth	4
14		STD-82	SCREW, NO. 10-24 x 1/2 long fill. head	4
15		07A23031	BRACKET, Fuel manifold	1
16		07A23032	BRACKET, Fuel manifold	1
17		73966	SPACER, Fuel manifold bracket	2
* Extra gasket, shipped as loose part with engine.				
** Requires P/N MS2512-06 O Ring				

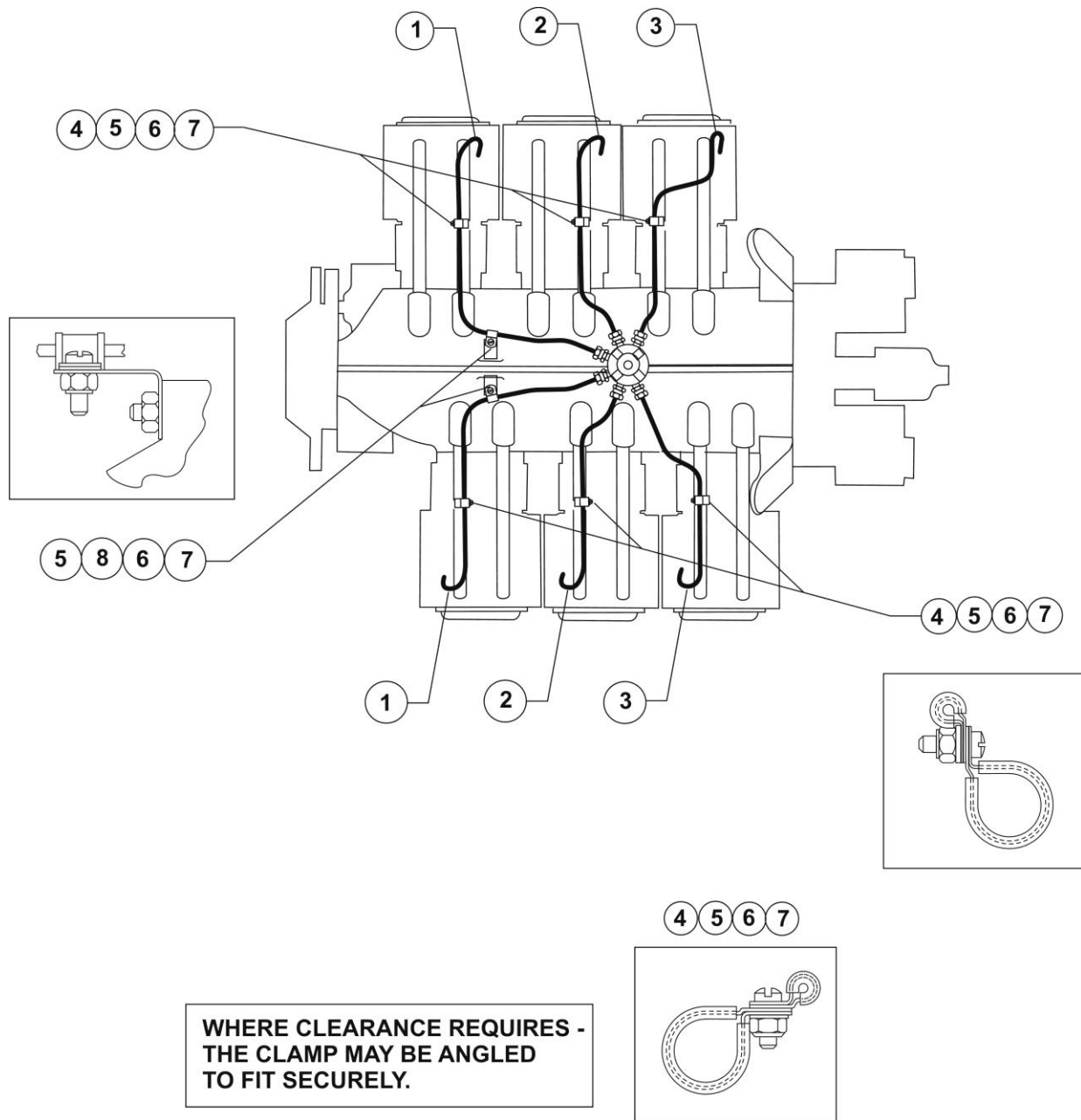




**Fuel Injector, Fuel Manifold and Injection Nozzles**  
**Figure 26**

**FUEL DISTRIBUTION****FIGURE 26 – FUEL INJECTOR, FUEL MANIFOLD AND INJECTION NOZZLES**

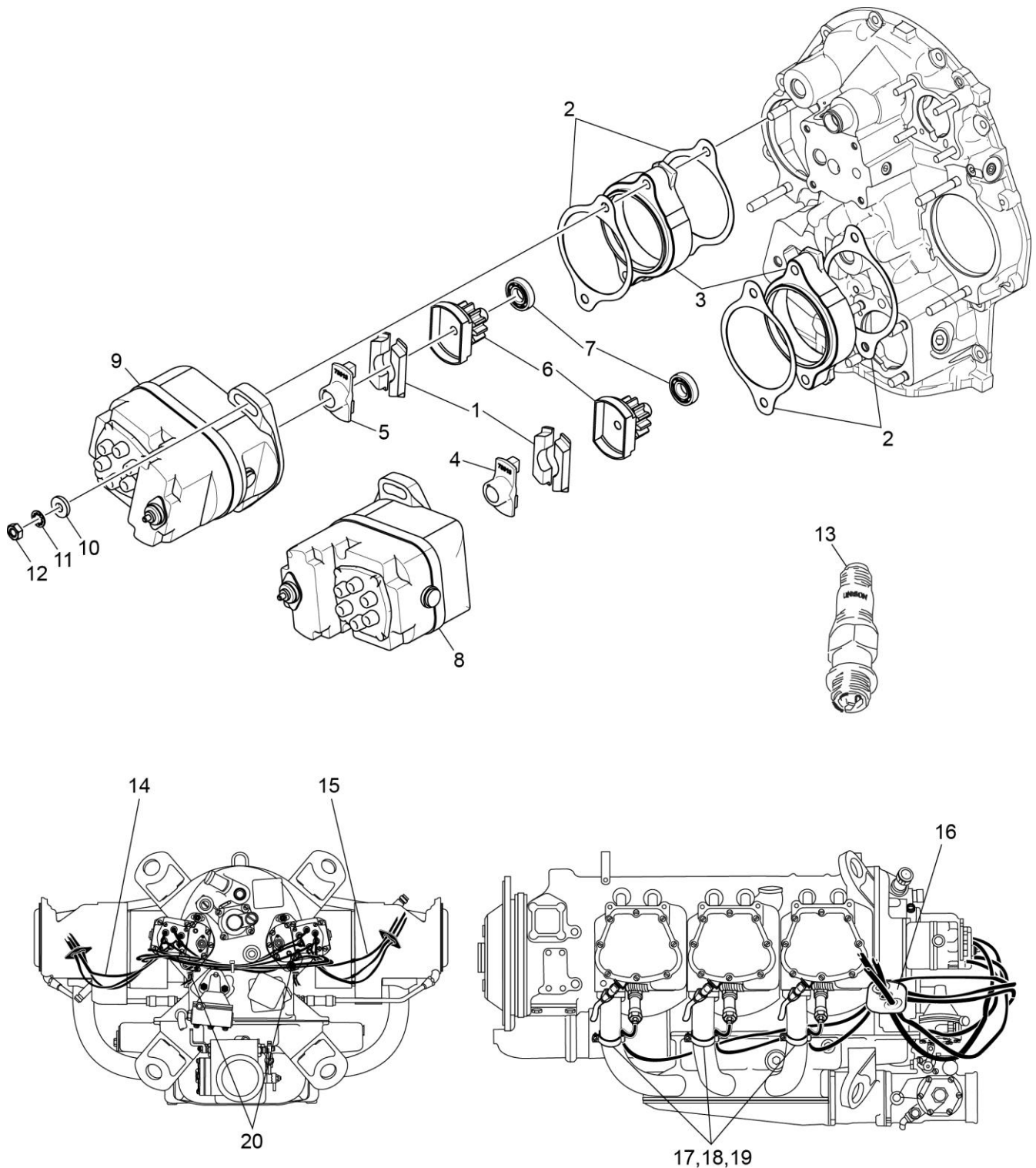
Figure Item	Code	Part Number	Description	Units per Assembly
1	*	73032	GASKET, Fuel injector	2
2		61M26405	FUEL INJECTOR, RSA-10AD1 P/N AV2576630-4	1
3		STD-35	WASHER, 5/16 plain	2
4		STD-1727	WASHER, 21/64 I.D. x 3/4 O.D. x 1/8 thick	2
5		STD-1410	NUT, 5/16-18 plain	4
6		STD-475	WASHER, 5/16 lock, internal teeth	4
7		63C26450	NOZZLE, Injection (AV2524864-2)	6
8		63D26710	MANIFOLD ASSEMBLY, Fuel (4 psi)	1
9		MS20823-4	ELBOW, 1/8 NPT to 1/4 flared tube	1
10		STD-148	NIPPLE, Union 1/8 NPT	6
11		1102	PLUG, 1/8-27 NPT, Allen head	1
12		STD-251	WASHER, No. 10 lock, internal teeth	4
13		STD-82	SCREW, NO. 10-24 x 1/2 long fill. head	4
14		07A23031	BRACKET, Fuel manifold	1
15		07A23032	BRACKET, Fuel manifold	1
16		73966	SPACER, Fuel manifold bracket	2
* Extra gasket, shipped as loose part with engine.				



**Fuel Lines and Attaching Parts  
Figure 27**

**FUEL DISTRIBUTION****FIGURE 27 – FUEL LINES AND ATTACHING PARTS**

<b>Figure Item</b>	<b>Code</b>	<b>Part Number</b>	<b>Description</b>	<b>Units per Assembly</b>
1		LW-12098-0-240	TUBE ASSEMBLY, Fuel manifold to nozzle, cylinders 1 and 2	2
2		LW-12098-0-170	TUBE ASSEMBLY, Fuel manifold to nozzle, cylinders 3 and 4	2
3		LW-12098-0-180	TUBE ASSEMBLY, Fuel manifold to nozzle, cylinders 5 and 6	2
4		LW-16266-10-75	CLAMP	6
5		LW-16266-10-13	CLAMP, 1/8 diameter for No. 10 screw	8
6		STD-860	SCREW, No. 10-32 x 5/8 long, fill. head	8
7		STD-670	LOCKNUT, No. 10-32	8
8		73136	BRACKET, Extension, fuel injector line	2



**Magnetos, Magneto Drives, Harnesses and Spark Plugs**  
**Figure 28**

**IGNITION DISTRIBUTION SYSTEM****FIGURE 28 – MAGNETOS, MAGNETO DRIVES, HARNESSES AND SPARK PLUGS**

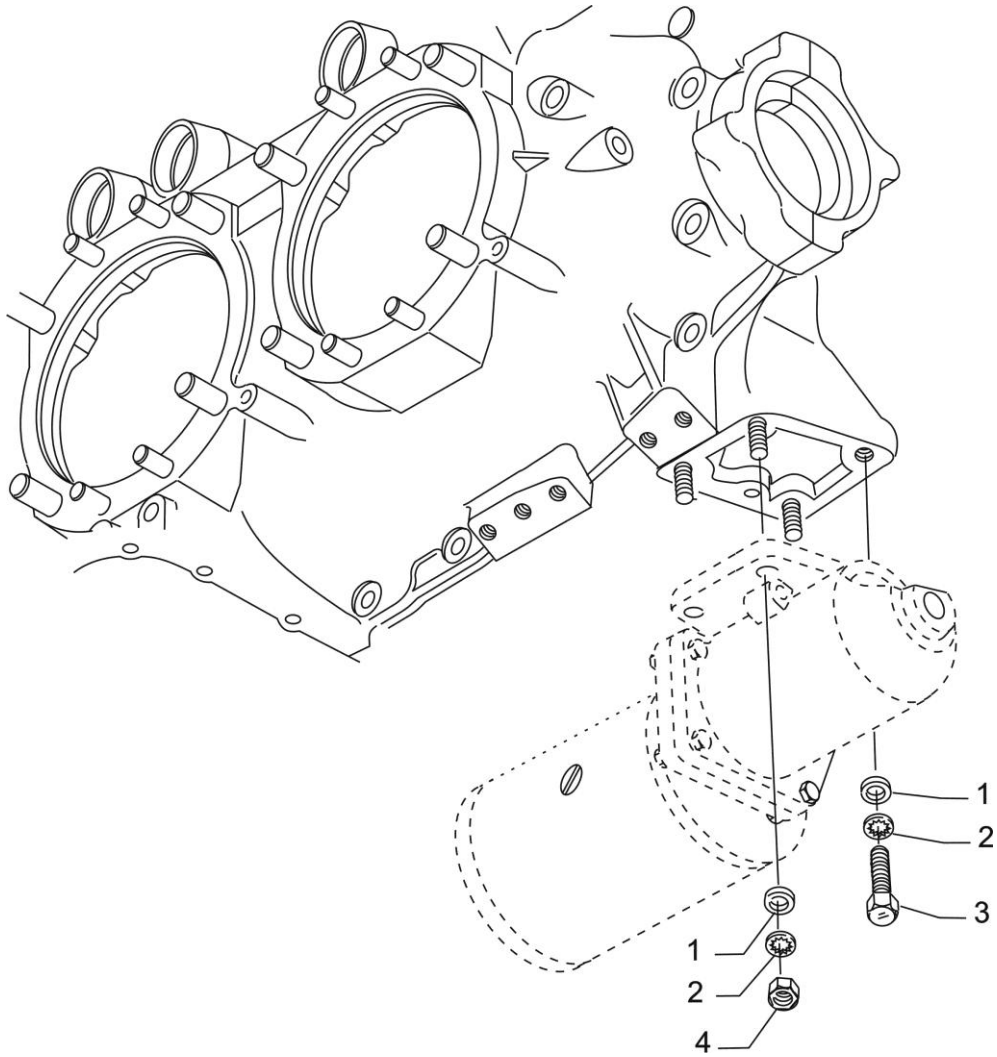
Figure Item	Code	Part Number	Description	Units per Assembly
1		68H22624	CUSHION, Magneto drive	4
2		62224	GASKET, Magneto adapter and magneto	4
3		LW-12707	ADAPTER, Magneto	2
4		73000	COUPLING, Magneto drive, right	1
		73636	COUPLING, Magneto drive, right	1
5		73013	COUPLING, Magneto drive, retard, left	1
		73000	COUPLING, Magneto drive, retard, left	1
6		LW-19096	GEAR RETAINING ASSEMBLY	2
7		67542	BALL BEARING	2
8		66B21783	MAGNETO, Right (S6LSC-204T)	1
9		66B21774	MAGNETO, Left, retard (S6LSC-200)	1
		66B21784	MAGNETO, Left, retard (S6LSC-200)	1
10		STD-1727	WASHER, 3/4 O.D. x 21/64 I.D. x 1/8 thick	4
11		STD-475	WASHER, 5/16 lock, internal teeth	4
12		STD-1410	NUT, 5/16-18 plain	4
13	*	1182-E7	SPARK PLUG, Champion (REM 38E)	12
14		LW-M-2463	HARNESS ASSEMBLY, Left magneto	1
15		LW-M-2464	HARNESS ASSEMBLY, Right magneto	1
16		LW-M-2376	PLATE, Spark plug cable	2
17		LW-18959-163-25	CLAMP	6
18		STD-553	SCREW, No. 6-32 x 1/2 long, round head	6
19		MS21044N06	NUT, No. 6-32 self-locking	6
20		LW-16266-25-44	CLAMP, 7/16 I.D. x 1/4 diameter screw	2
* Refer to the latest revision of Lycoming Service Instruction No. 1042 for complete listing of all approved spark plugs.				



**IGNITION DISTRIBUTION SYSTEM****FIGURE 29 - ALTERNATOR ASSEMBLY**

<b>Figure Item</b>	<b>Code</b>	<b>Part Number</b>	<b>Description</b>	<b>Units per Assembly</b>
1	*	32C19553	ALTERNATOR ASSEMBLY, 24 volt, 70 amp.	1
2	*	LW-14326	ALTERNATOR, (ALU-8521-LS)	1
3	*	36B19484	PULLEY, Alternator	1
* Shipped loose with engine				





**Starter Attaching Parts  
Figure 30**

**STARTING****FIGURE 30 - STARTER ATTACHING PARTS**

Figure Item	Code	Part Number	Description	Units per Assembly
1	*	STD-35	WASHER, 5/16 plain	4
2	*	STD-475	WASHER, 5/16 lock, internal teeth	4
3	*	LW-31-1.16	BOLT, 5/16-18 x 1-5/32 long, hex. head	1
4	*	STD-1410	NUT, 5/16-18 plain	3
* Hardware only, supplied by Lycoming				

**SERVICE KIT SECTION**  
**SEAL AND GASKET SET**

<b>PART NO.</b>	<b>PART NAME</b>	<b>Qty.</b>
<b>05K23341</b>	<b>KIT - SEAL AND GASKET SET</b>	<b>1</b>
06B21326	GASKET, Oil sump	1
06E19769-0.63	GASKET, Annular 5/8 I.D.	2
06E19769-1.00	GASKET, Annular, 1.00 I.D.	1
06E19769-1.25	GASKET, Annular, 1 1/4 I.D.	1
15H21201	SPRING, Shroud tube	24
60096	GASKET, Fuel pump	1
61173	GASKET, Oil pressure housing	1
61183	GASKET, Accessory adapter	1
62224	GASKET, Magneto adapter	4
66732	GASKET, Valve rocker shaft cover	12
67193	GASKET, Rocker box cover	6
68H22624	CUSHION, Magneto drive	4
69951	GASKET, Accessory drive adapter	1
70455	GASKET, 25/32 I.D. x 1-1/8 O.D. x 1/32 thick	1
71481	RING, Oil seal, 3/32 diameter x 4-27/32 I.D.	6
71973	GASKET, 2 bolt flange, 1-13/16 I.D.	6
72053	GASKET, Governor	1
72059	GASKET, Oil level gage	1
72091	RING, Oil seal, 3/8 I.D. x 7/64 diameter	2
72210	GASKET, Air throttle housing	1
72711	RING, Seal, intake pipes	6
73032	GASKET, Air inlet housing	2
73383	LOCKPLATE, 5/16 bolt x 1.00	2
73818	GASKET, Accessory housing	1
74068	RING, Oil level gage plug	1
76510	GASKET, Oil cooler bypass valve	1
77611	GASKET, Exhaust flange	6
LW-13792	SEAL, Crankshaft oil	1
LW-14260	SEAL, Tachometer drive, oil	1
LW-14820	RING, Internal retaining	8
LW-18481	GASKET, Oil filler adapter	1
LW-18638	LOCKPLATE, Crankshaft gear	1
LW-18661	SEAL, Shroud tube	24
MS29512-06	O-RING, 15/32 I.D. x 5/64 section	2
STD-22180	HOSE, 3/8 I.D. x 1-7/8 long	6
STD-2231	RING, Internal retaining (13/16)	1

**CYLINDER, PISTON AND RING ASSEMBLY**

<b>PART NO.</b>	<b>PART NAME</b>	<b>Qty.</b>
<b>05K21120</b>	<b>KIT - CYLINDER, PISTON AND RING ASSEMBLY</b>	<b>1</b>
LW-12993	CYLINDER ASSEMBLY	1
72343	STABILIZER, Cylinder head fins, 15 teeth	1
72344	STABILIZER, Cylinder head fins, 26 teeth	1
17A23937	VALVE, Intake	1
17B23935	VALVE, Exhaust (rotator type)	1
LW-13321	SEAT, Valve spring, lower intake	1
LW-13322	SEAT, Valve spring, lower exhaust	1
LW-11796	SPRING, Valve, outer	2
LW-11797	SPRING, Valve, inner	2
69532	SEAT, Valve spring, upper intake	1
LW-16475	SEAT, Valve spring, upper exhaust (rotator type)	1
72050	KEY, Valve intake	2
17C21191	KEY, Valve exhaust (rotator type)	2
MS20523-6D	ELBOW, 45 degree, 3/8 flared tube	1
62388	CAP, Valve stem	1
17C19386	CAP, Valve stem, exhaust (rotator type)	1
1102	PLUG, 1/8-27 NPT, allen head	2
71481	RING, Oil seal, 3/32 diameter x 4-27/32 I.D.	1
14D23908	PISTON, 8.70:1	1
74241	RING, Piston, compression	2
14H21950	RING, Piston, oil regulating (expander type)	1
LW-14078	PIN, Piston	1
72198	PLUG, Piston pin	2
66732	GASKET, Valve rocker shaft cover	2
67193	GASKET, Rocker box cover	1
LW-18661	SEAL, Shroud tube	4
SSP-299	TAG, Use of piston pin plugs	1
77611	GASKET, Exhaust flange	1
71973	GASKET, 2 bolt flange, 1-13/16 I.D.	1
06A23493	SEAL, Shroud tube	2

**CRANKSHAFT AND COUNTERWEIGHT ASSEMBLY KIT**

<b>PART NO.</b>	<b>PART NAME</b>	<b>Qty.</b>
<b>05K23340</b>	<b>KIT - CRANKSHAFT AND COUNTERWEIGHT ASSEMBLY</b>	<b>1</b>
13E47622	CRANKSHAFT ASSEMBLY	1
14U22539	COUNTERWEIGHT ASSEMBLY	2
14W22647	ROLLER, Dynamic counterweight, 4.81 order	2
70416	ROLLER, Dynamic counterweight	2
71907	WASHER, Counterweight	8
LW-14820	RING, Internal retaining	8

**CRANKCASE ASSEMBLY AND THRU-STUD KITS**

<b>PART NO.</b>	<b>PART NAME</b>	<b>Qty.</b>
<b>11E24004-S1-S</b>	<b>KIT - CRANKCASE ASSEMBLY AND THRU-STUD</b>	<b>1</b>
11E24004-S	CRANKCASE ASSEMBLY	1
76220	STUD, 1/2-20 x 10-45/64 long	8
31C-14	STUD, 5/16-18 x 1-3/4 long	4
31C-16	STUD, 5/16-18 x 2.00 long	4
STD-1339	PLUG, 1/16-27 NPT, Allen head	7
AN565B1032H4	SETSCREW, No. 10-32 x 1/4 long	1
AN565B1032H5	SETSCREW, No. 10-32 x 5/16 long	1
1102	PLUG, 1/8-27 NPT, Allen head	4
LW-31-2.75	BOLT, 5/16-18 x 2-3/4 long, hex. head	1
LW-31-1.16	BOLT, 5/16-18 x 1-5/32 long, hex. head	3
STD-35	WASHER, 5/16 plain	4
STD-475	WASHER, 5/16 lock, internal teeth	4

**CRANKCASE ASSEMBLY AND THRU-STUD KITS**

<b>PART NO.</b>	<b>PART NAME</b>	<b>Qty.</b>
<b>11E24104-S1-S</b>	<b>KIT - CRANKCASE ASSEMBLY AND THRU-STUD</b>	<b>1</b>
11E24104-S	CRANKCASE ASSEMBLY	1
76220	STUD, 1/2-20 x 10-45/64 long	8
31C-14	STUD, 5/16-18 x 1-3/4 long	4
31C-16	STUD, 5/16-18 x 2.00 long	4
STD-1339	PLUG, 1/16-27 NPT, Allen head	7
AN565B1032H4	SETSCREW, No. 10-32 x 1/4 long	1
AN565B1032H5	SETSCREW, No. 10-32 x 5/16 long	1
1102	PLUG, 1/8-27 NPT, Allen head	4
LW-31-2.75	BOLT, 5/16-18 x 2-3/4 long, hex. head	1
LW-31-1.16	BOLT, 5/16-18 x 1-5/32 long, hex. head	3
STD-35	WASHER, 5/16 plain	4
STD-475	WASHER, 5/16 lock, internal teeth	4

**CRANKCASE ASSEMBLY AND THRU-STUD KITS**

<b>PART NO.</b>	<b>PART NAME</b>	<b>Qty.</b>
11E24106-S1-S	KIT - CRANKCASE ASSEMBLY AND THRU-STUD	1
11E24106-S	CRANKCASE ASSEMBLY	1
1102	PLUG, 1/8-27 NPT, Allen head	6

**NUMERICAL INDEX**

PART NO.	PART NAME	PAGE NO.	PART NO.	PART NAME	PAGE NO.
AN6-16	Bolt	1	LW-31H0.75	Bolt	1
AN6-16	Bolt	5	LW-31H0.75	Bolt	3
AN6-17	Bolt	1	LW-31H0.75	Bolt	5
AN6-17	Bolt	5	LW-31H0.75	Bolt	5
AN6-34A	Bolt	19	LW-31H0.75	Bolt	5
LRT23381	Body Assy	11	LW-31H0.88	Bolt	15
LW-25-2.00	Bolt	19	LW-31H0.88	Bolt	17
LW-25-2.00	Bolt	35	LW-11273	Clamp	35
LW-25-2.00	Bolt	35	LW-11273	Clamp	39
LW-25-2.00	Bolt	41	LW-11273	Clamp	41
LW-25-1.75	Bolt	19	LW-11713	Spring	11
LW-25-1.50	Bolt	19	LW-11750	Connecting Rod Assy	21
LW-25-1.44	Bolt	47	LW-11796	Spring	25
LW-25-1.25	Bolt	31	LW-11797	Spring	25
LW-25-1.13	Bolt	19	LW-11956	Guide	23
LW-25-1.13	Bolt	35	LW-11958	Guide	23
LW-25-1.13	Bolt	39	LW-12098-0-170	Tube Assy	59
LW-25-1.13	Bolt	41	LW-12098-0-180	Tube Assy	59
LW-25-1.13	Bolt	47	LW-12098-0-240	Tube Assy	59
LW-25-1.00	Bolt	35	LW-12186	Nut	21
LW-25-1.00	Bolt	35	LW-12191	Pipe	31
LW-25-1.00	Bolt	39	LW-12192	Pipe	31
LW-25-1.00	Bolt	41	LW-12193	Pipe	31
LW-25-1.00	Bolt	41	LW-12194	Pipe	31
LW-25-1.00	Bolt	51	LW-12195	Pipe	31
LW-25-0.94	Bolt	47	LW-12545	Plug	31
LW-25-0.81	Bolt	31	LW-12688	Seat	23
LW-25-0.81	Bolt	41	LW-12707	Adapter	61
LW-25S1.50	Bolt	19	LW-12993	Cylinder Assy	23
LW-25H0.63	Bolt	35	LW-13321	Seat	25
LW-25H0.63	Bolt	41	LW-13322	Seat	25
LW-31-0.94	Bolt	1	LW-13792	Seal	11
LW-31-0.94	Bolt	3	LW-13795	Shaft	15
LW-31-0.94	Bolt	5	LW-13795	Shaft	17
LW-31-1.16	Bolt	19	LW-13805	Connection	39
LW-31-1.16	Bolt	65	LW-13806	Adapter	39
LW-31-2.75	Bolt	19	LW-13807	Adapter Assy	39
LW-31H0.75	Bolt	1	LW-13874	Spring	39
LW-31H0.75	Bolt	1	LW-13896	Plug	7

**NUMERICAL INDEX (CONT.)**

<b>PART NO.</b>	<b>PART NAME</b>	<b>PAGE NO.</b>	<b>PART NO.</b>	<b>PART NAME</b>	<b>PAGE NO.</b>
LW-13923	Bushing	21	STD-8	Washer	19
LW-13927	Disc	39	STD-8	Washer	31
LW-14078	Pin	21	STD-8	Washer	31
LW-14260	Seal	47	STD-8	Washer	35
LW-14326	Alternator	63	STD-8	Washer	35
LW-14820	Ring	13	STD-8	Washer	35
LW-15473	Fuel Pump	49	STD-8	Washer	39
LW-15592-5-05	Clamp	29	STD-8	Washer	39
LW-15673	Housing	31	STD-8	Washer	41
LW-15970	Tube	33	STD-8	Washer	41
LW-16266-10-13	Clamp	59	STD-8	Washer	41
LW-16266-10-75	Clamp	59	STD-8	Washer	47
LW-16266-25-44	Clamp	61	STD-8	Washer	51
LW-16475	Seat	25	STD-8	Washer	53
LW-16561	Nipple	49	STD-28	Washer	33
LW-16561	Nipple	55	STD-33	Washer	1
LW-16783-30P	Gage Assy	33	STD-33	Washer	5
LW-18085	Spring	11	STD-33	Washer	19
LW-18291	Cover	35	STD-33	Washer	19
LW-18291	Cover	39	STD-33	Washer	49
LW-18291	Cover	41	STD-35	Washer	1
LW-18481	Gasket	33	STD-35	Washer	3
LW-18482	Adapter	33	STD-35	Washer	5
LW-18638	Lockplate	13	STD-35	Washer	7
LW-18661	Seal	25	STD-35	Washer	19
LW-18667	Pin	15	STD-35	Washer	23
LW-18959-163-25	Clamp	61	STD-35	Washer	47
LW-19096	Gear Retaining Assy	61	STD-35	Washer	53
LW-19340	Camshaft Assy	15	STD-35	Washer	55
LW-M-2376	Plate	61	STD-35	Washer	57
LW-M-2463	Harness Assy	61	STD-35	Washer	65
LW-M-2464	Harness Assy	61	STD-63	Nut	33
MS-16625-1068	Ring	39	STD-82	Screw	55
MS20823-4	Elbow	55	STD-82	Screw	57
MS20823-4	Elbow	57	STD-91	Plug	35
MS20823-6D	Elbow	23	STD-91	Plug	39
MS21044N06	Nut	61	STD-91	Plug	41
MS-28775-015	O-Ring	39	STD-148	Nipple	55
STD-8	Washer	19	STD-148	Nipple	57



**NUMERICAL INDEX (CONT.)**

<b>PART NO.</b>	<b>PART NAME</b>	<b>PAGE NO.</b>	<b>PART NO.</b>	<b>PART NAME</b>	<b>PAGE NO.</b>
STD-160	Washer	19	STD-684	Nipple	29
STD-160	Washer	29	STD-690	Washer	1
STD-160	Washer	31	STD-690	Washer	1
STD-160	Washer	35	STD-690	Washer	1
STD-160	Washer	35	STD-690	Washer	3
STD-160	Washer	39	STD-690	Washer	5
STD-160	Washer	41	STD-690	Washer	5
STD-160	Washer	41	STD-690	Washer	5
STD-160	Washer	47	STD-692	Screw	29
STD-160	Washer	51	STD-713	Cotter Pin	1
STD-160	Washer	53	STD-713	Cotter Pin	1
STD-251	Washer	29	STD-713	Cotter Pin	5
STD-251	Washer	33	STD-713	Cotter Pin	5
STD-251	Washer	55	STD-784	Plug	35
STD-251	Washer	57	STD-784	Plug	39
STD-355	Plug	35	STD-784	Plug	41
STD-355	Plug	39	STD-784	Plug	45
STD-355	Plug	41	STD-784	Plug	51
STD-475	Washer	7	STD-860	Screw	59
STD-475	Washer	19	STD-872	Nut	1
STD-475	Washer	23	STD-872	Nut	1
STD-475	Washer	53	STD-872	Nut	5
STD-475	Washer	55	STD-872	Nut	5
STD-475	Washer	57	STD-872	Nut	19
STD-475	Washer	61	STD-1065	Dowel	13
STD-475	Washer	65	STD-1211	Plug	13
STD-514	Dowel	9	STD-1339	Plug	9
STD-514	Dowel	35	STD-1410	Nut	7
STD-514	Dowel	39	STD-1410	Nut	23
STD-514	Dowel	41	STD-1410	Nut	53
STD-551	Plug	37	STD-1410	Nut	55
STD-551	Plug	39	STD-1410	Nut	57
STD-551	Plug	43	STD-1410	Nut	61
STD-553	Screw	61	STD-1410	Nut	65
STD-557	Dowel	9	STD-1411	Nut	19
STD-596	Nut	19	STD-1411	Nut	29
STD-670	Locknut	29	STD-1411	Nut	35
STD-670	Locknut	59	STD-1411	Nut	37
STD-678	Washer	19	STD-1411	Nut	39

**NUMERICAL INDEX (CONT.)**

<b>PART NO.</b>	<b>PART NAME</b>	<b>PAGE NO.</b>	<b>PART NO.</b>	<b>PART NAME</b>	<b>PAGE NO.</b>
STD-1411	Nut	41	38-22	Stud	9
STD-1411	Nut	43	38D-17	Stud	9
STD-1411	Nut	53	50-15	Stud	9
STD-1420	Nut,	47	383-B	Nut	29
STD-1686	Screw	29	1102	Plug	9
STD-1727	Washer	1	1102	Plug	23
STD-1727	Washer	3	1102	Plug	31
STD-1727	Washer	5	1102	Plug	35
STD-1727	Washer	55	1102	Plug	39
STD-1727	Washer	57	1102	Plug	41
STD-1727	Washer	61	1102	Plug	45
STD-1882	Screw	49	1102	Plug	55
STD-1925	Screw	29	1102	Plug	57
STD-2090	Nut	29	1028-B	Ball	11
STD-2168	Nut	15	1182-E7	Spark Plug	61
STD-2168	Nut	17	60096	Gasket	49
STD-2180	Hose	29	60422	Screen	31
STD-2231	Ring	15	60430	Cover	53
STD-2247	Bolt	13	60803	Strap	19
STD-2249	Nut	19	61084	Spring	11
10-8	Stud	9	61173	Gasket	51
25C-8	Stud	23	61183	Gasket	53
25C-9	Stud	35	61503	Sleeve	25
25C-9	Stud	39	62224	Gasket	61
25C-9	Stud	41	62388	Cap	25
25C-11	Stud	35	62417	Plug	51
25C-11	Stud	39	62732	Cap	47
25C-11	Stud	41	62817	Screen Assy	51
25C-12	Stud	45	65614	Plug	29
31C-12	Stud	9	66670	Bushing	23
31C-12	Stud	23	66728	Washer	25
31C-12	Stud	45	66732	Gasket	29
31C-13	Stud	9	66796	Insert	23
31C-14	Stud	9	67193	Gasket	29
31C-16	Stud	31	67530	Bushing	15
31C-21	Stud	45	67530	Bushing	15
31CD-17	Stud	45	67530	Bushing	17
38-13	Stud	9	67530	Bushing	17
38-15	Stud	35	67542	Ball Bearing	61

**NUMERICAL INDEX (CONT.)**

PART NO.	PART NAME	PAGE NO.	PART NO.	PART NAME	PAGE NO.
68668	Spring	11	72198	Plug	21
68795	Cover Assy	29	72210	Gasket	31
69106	Cover	53	72255	Shroud Tube Assy	25
69510	Housing	51	72343	Stabilizer	23
69532	Seat	25	72344	Stabilizer	23
69551	Gasket	53	72378	Cover	7
69796	Dowel	9	72566	Gear	13
70416	Roller	13	72626	Shaft	27
70455	Gasket	7	72702	Tube Assy	29
71481	Ring	29	72703	Tube Assy	29
71549	Washer	27	72706	Insert	35
71610	Hook	29	72706	Insert	39
71611	Retainer	29	72706	Insert	41
71640	Plug	13	72710	Cover	29
71652	Gear Assy	15	72711	Ring	31
71652	Gear Assy	17	72834	Cover	29
71668	Gear Assy	15	72960	Plug	35
71668	Gear Assy	17	72960	Plug	41
71903-A	Bushing	13	72996	Fitting	51
71907	Washer	13	73000	Coupling	61
71973	Gasket	31	73000	Coupling	61
72050	Key	25	73013	Coupling	61
72053	Gasket	7	73027	Tube Assy	29
72059	Gasket	33	73032	Gasket	55
72091	Ring	11	73032	Gasket	57
72155-S	Bushing	13	73136	Bracket	59
72158	Bushing	9	73383	Lockplate	1
72167	Pipe	35	73383	Lockplate	3
72167	Pipe	39	73383	Lockplate	5
72167	Pipe	41	73636	Coupling	61
72168	Pipe	35	73772	Nozzle Assy	9
72168	Pipe	39	73810	Bushing	13
72168	Pipe	41	73818	Gasket	45
72169	Pipe	35	73966	Spacer	55
72169	Pipe	39	73966	Spacer	57
72169	Pipe	41	74068	Ring	33
72179	Stud	35	74241	Ring	21
72179	Stud	39	74360	Flange	31
72179	Stud	41	74389	Bushing	27

**NUMERICAL INDEX (CONT.)**

<b>PART NO.</b>	<b>PART NAME</b>	<b>PAGE NO.</b>	<b>PART NO.</b>	<b>PART NAME</b>	<b>PAGE NO.</b>
74494	Plate	29	07A23032	Bracket	55
74641	Shaft	47	07A23032	Bracket	57
74887	Spacer	29	11E24004-S1	Crankcase Assy.	9
75060	Bolt	21	11E24104-S1	Crankcase Assy.	9
75338	Baffle Assy	29	11E24106-S1	Crankcase Assy.	9
75380	Link	1	13E47622	Crankshaft Assy	13
75444	Adapter Assy	37	13S19647	Gear	13
75656-S	Bushing	13	14D23908	Piston	21
75657-S	Bushing	13	14H21950	Ring	21
76118	Spacer	15	14S23890	Bolt	21
76155	Shaft Assy	15	14U22539	Counterweight Assy	13
76220	Stud	19	14W22647	Roller	13
76510	Gasket	51	15B21319	Socket	25
76534	Shim	1	15B26066	Plunger Assy	25
76534	Shim	5	15B26262	Body	11
77467	Spring	11	15F19957-52	Rod Assy.	25
77611	Gasket	23	15F19957-53	Rod Assy.	27
77653	Housing Assy	31	15F19957-54	Rod Assy.	27
77808	Valve Assy	11	15F19957-55	Rod Assy.	27
77906	Spacer	29	15F19957-56	Rod Assy.	27
78531	Body Assy	47	15F19957-57	Rod Assy.	27
78589	Plug	7	15F19957-58	Rod Assy.	27
01A23354	Stud	9	15F21185	Rocker Assy	27
01L23459	Washer	25	15F21362-18	Rod Assy.	27
03C21721	Plug	7	15F21362-19	Rod Assy.	27
05K19423-S	Oil Pump Impeller Kit	47	15F21362-20	Rod Assy.	27
06A23493	Seal	25	15F21362-21	Rod Assy.	27
06B21326	Gasket	35	15F21362-22	Rod Assy.	27
06B21326	Gasket	39	15F21362-23	Rod Assy.	27
06B21326	Gasket	41	15F21362-24	Rod Assy.	27
06E19769-0.63	Gasket	51	15G23462	Shroud Tube Assy	25
06E19769-0.63	Gasket	51	15H21201	Spring	25
06E19769-0.91	Gasket	35	15N23374	Camshaft Assy	15
06E19769-0.91	Gasket	41	15N26092	Camshaft Assy	17
06E19769-1.00	Gasket	31	16T19468	Seat	23
06E19769-1.25	Gasket	11	17A23937	Valve	25
07A19474	Bracket	1	17B23935	Valve	25
07A23031	Bracket	55	17C19386	Cap	25
07A23031	Bracket	57	17C21191	Key	25

**NUMERICAL INDEX (CONT.)**

<b>PART NO.</b>	<b>PART NAME</b>	<b>PAGE NO.</b>	<b>PART NO.</b>	<b>PART NAME</b>	<b>PAGE NO.</b>
17F21186	Rocker Assy	27	56A26071-09	Housing Assy	41
18A26093	Bearing	11	56B23949	Housing	35
18D26098	Bearing	11	56B23949	Housing	39
18M26105	Bearing	21	56B23949	Housing	41
21C21539-03	Housing Assy	45	56G26069	Baffle	35
21C21546-03	Housing Assy	45	56G26069	Baffle	39
23D26777	Plunger	15	56G26069	Baffle	41
23D26777	Plunger	17	61M26405	Fuel Injector	55
31M22972	Support Assy	13	61M26405	Fuel Injector	57
32C19553	Alternator Assy	63	63C26450	Nozzle	55
36B19484	Pulley	63	63C26450	Nozzle	57
53E22144	Valve Assy	51	63D26710	Manifold Assy	55
56A26071	Housing	35	63D26710	Manifold Assy	57
56A26071	Housing	39	66B21774	Magneto	61
56A26071	Housing	41	66B21783	Magneto	61
56A26071-03	Housing Assy	35	66B21784	Magneto	61
56A26071-09	Housing Assy	39	68H22624	Cushion	61