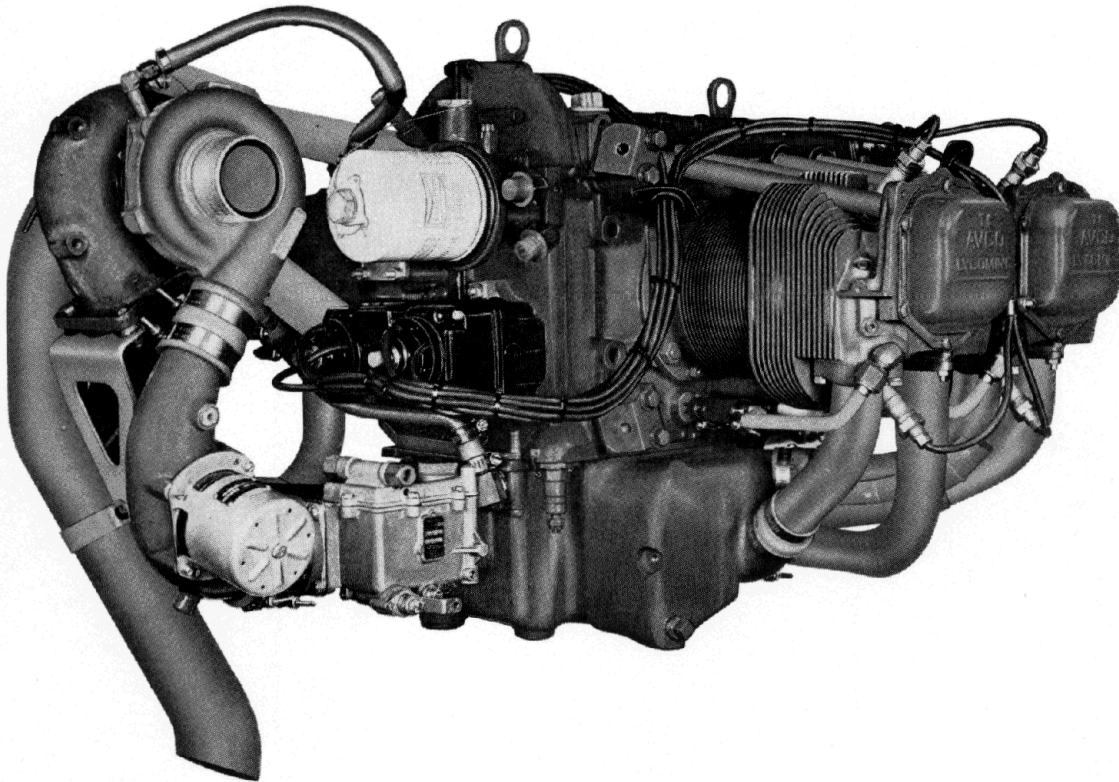


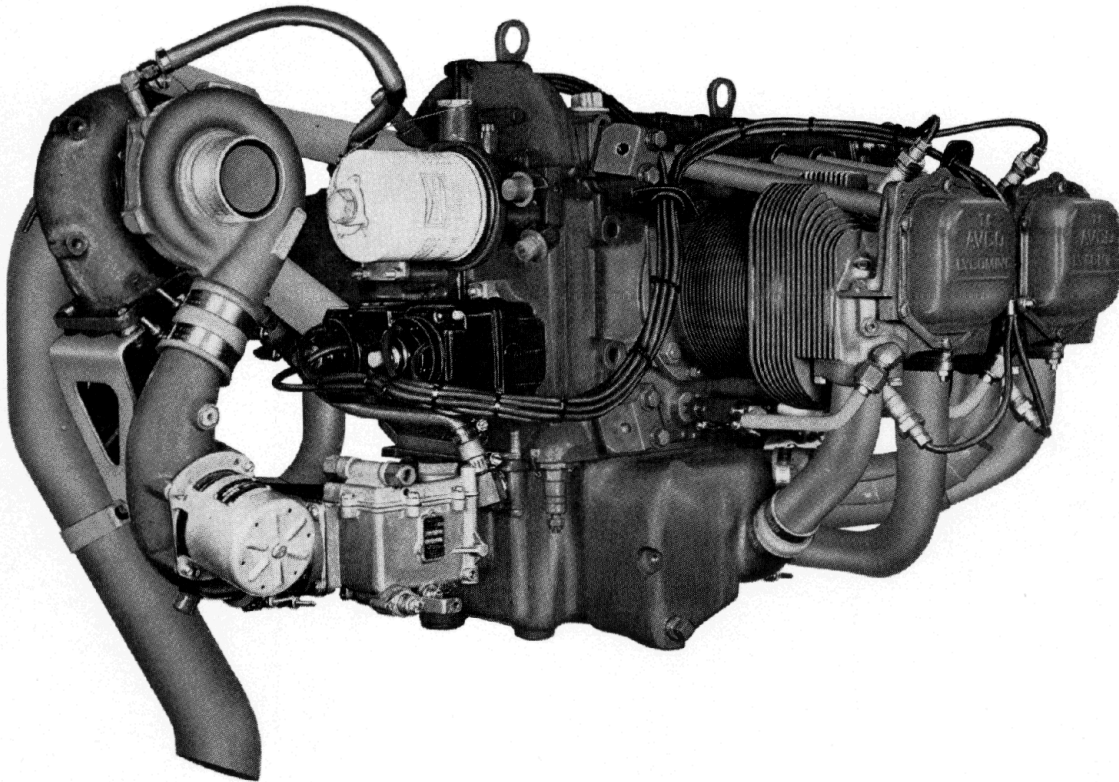
AVCO LYCOMING PARTS CATALOG



TO, LTO-360 76 SERIES AIRCRAFT ENGINES

AVCO LYCOMING WILLIAMSPORT DIVISION
AVCO CORPORATION
WILLIAMSPORT, PENNSYLVANIA 17701

AVCO LYCOMING PARTS CATALOG



TO, LTO-360 76 SERIES AIRCRAFT ENGINES

AVCO LYCOMING WILLIAMSPORT DIVISION
AVCO CORPORATION
WILLIAMSPORT, PENNSYLVANIA 17701

TECHNICAL PUBLICATION REVISION

REVISION No. PC-124-1	ENGINE MODEL TO-360, LTO-360 76 Series	PUBLICATION No. PC-124	PUBLICATION DATE December, 1980
The page(s) furnished herewith are intended to replace the corresponding page(s) of the publication indicated above.			
Remove		Insert	
December, 1980 Page 1-8, 1-9, 6-4		May, 1985 Page 1-8, 1-9, 6-4	

INTRODUCTION

The Avco Lycoming 76 series TO-360 and LTO-360 model engines depicted herein employ a modern unitized design crankcase. This incorporates all accessory drives in the crankcase eliminating a separate accessory housing and providing a compact, lightweight power unit.

The Parts Catalog is constructed in the same familiar format as previous catalogs, the only difference being that the accessory drives section is now integrated with the Crankcase Group in Section 1.

An oversize and undersize parts list shows available parts and their sizes.

A Numerical Index is provided for convenience in finding parts when only the part number is known.

Complete coverage of Vendor Accessories used on Avco Lycoming engines may be secured by referring to the publications listed in footnotes in this Catalog on the page where the accessories are installed. A complete list of Vendor publications may also be found by referral to Service Letter No. L114.

NOTE

The illustrations, pictures and drawings shown in this publication are typical of the subject matter they portray; in no instance are they to be interpreted as examples of any specific engine, equipment or part thereof.

SERVICE BULLETINS, INSTRUCTIONS AND LETTERS

Although the information contained in this Parts Catalog is up-to-date at the time of publication, users are urged to keep abreast of later information through Avco Lycoming Service Bulletins, Instructions and Letters which are available through all Avco Lycoming distributors or from the factory by subscription. Consult the latest edition of Service Letter No. L114 for subscription information.

TO-360, LTO-360 - 76 SERIES

TABLE OF CONTENTS

SECTION	PAGE
Introduction	i
Table of Contents	ii
Oversize and Undersize Parts List	iii
1. Crankcase, Crankshaft and Camshaft Group	
Crankcase Assembly	1-1
Crankcase Related Parts	1-2
Crankshaft and Starter Ring Gear Support	1-3
Camshaft and Tachometer Drive Assembly	1-5
Propeller Governor Drive	1-6
Crankcase Attaching Parts	1-7
Oil Pump and Vacuum Pump Drive	1-8
Oil Filter and Fuel Pump	1-9
2. Cylinder, Piston and Valve Train	
Connecting Rod, Piston and Piston Rings	2-1
Cylinder Assembly	2-2
Valve Assembly	2-3
Push Rods, Rocker Arms and Hydraulic Lifters	2-4
Cylinder Head Drain Tubes and Intercylinder Cooling Baffles	2-5
3. Ignition System	
Magneto, Magneto Drive and Spark Plugs	3-1
4. Electrical System	
Starting Motor and Alternator Bracket	4-1
5. Oil Sump and Induction System	
Oil Sump Assembly	5-1
Intake Pipes and Carburetor	5-2
6. Turbocharger and Exhaust System	
Turbocharger Attaching Parts	6-1
Exhaust and Air Inlet	6-3
7. Service Kit Section	7-1
8. Numerical Index	8-1

TO-360, LTO-360 76 SERIES
Oversize and Undersize Parts Listing

Part No.	Description	Oversize				Undersize		
		P5	P10	P20	P30	M03	M06	M10
66145	DOWEL, Oil pump body		X	X				
66796	INSERT, Spark plug 18-1.5mm		X					
69260	INSERT, Spark plug 18-1.5mm, long reach		X					
69796	DOWEL, Crankshaft bearing		X					
72057	SEAT, Intake valve	X	X	X	X			
72058	SEAT, Exhaust valve	X	X	X	X			
72060	BUSHING, Propeller flange	X	X	X				
72061	BUSHING, Propeller flange	X	X	X				
72062	BUSHING, Propeller flange	X	X	X				
72074	BUSHING, Propeller flange	X	X	X				
76943	GUIDE, Valve intake		X	X	X			
77160	GUIDE, Valve exhaust		X	X	X			
LW-13209	BEARING, Connecting rod					X	X	X
LW-15328	BEARING, Crankshaft					X	X	X
LW-15329	BEARING, Crankshaft					X	X	X

Studs available in P03, P07 and P12.

NOTE

When ordering oversize or undersize parts, be sure to specify the required oversize or undersize dimension along with the proper part number. For example: to order bearing LW-15328-M3. Oversize code is "P" while undersize code letter is "M". These letters are then followed by the number designating the size in thousandths of an inch.

AVCO LYCOMING TO, LTO-360 76 SERIES PARTS CATALOG
CRANKCASE, CRANKSHAFT AND CAMSHAFT GROUP
CRANKCASE ASSEMBLY

FIG. REF.	PART NUMBER	DESCRIPTION	ON ALL	QUANTITY PER ASSEMBLY			
				TO-360		LTO-360	
				EA6D		EA6D	
1	LW-16802	CRANKCASE ASSEMBLY		1			
	LW-16804	CRANKCASE ASSEMBLY				1	
2	LW-15045	BUSHING, Magneto drive	1				
3	LW-15276	STUD, 1/2-20 x 10-23/32 long	2				
4	LW-15277	STUD, 1/2-13 x 8-23/32 long	4				
5	50-15	STUD, 1/2-20 x 1-7/8 long	8				
6	38-13	STUD, 3/8-16 x 1-5/8 long	16				
7	STD-557	DOWEL, 25/64 ID x 1/2 OD x 11/16 long, hollow	3				
8	LW-15376	TUBE, Oil transfer				1	
9	LW-15377	TUBE, Oil transfer				1	
10	69796	DOWEL, Crankshaft bearing	2				
11	25C-10	STUD, 1/4-20 x 1-1/4 long	3				
12	31C-12	STUD, 5/16-18 x 1-1/2 long	8				
13	31C-13	STUD, 5/16-18 x 1-5/8 long	1				
14	1102	PLUG, 1/8-27 NPT, Allen hd.	4				
15	STD-1339	PLUG, 1/16-27 NPT, Allen hd.	1				
16	25C-9	STUD	2				
17	1102	PLUG, 1/8-27 NPT, Allen hd.	1				
18	31C-16	STUD, 5/16-18 x 2.00 long	4				
19	61548	PLATE, Name	1				
	61548-YB	PLATE, Name	1				
20	STD-1901	DRIVE STUD, No. 4 x 3/16 long, rd. hd.	4				
21	STD-394	DOWEL, 3/32 dia. x 11/32 long	1				

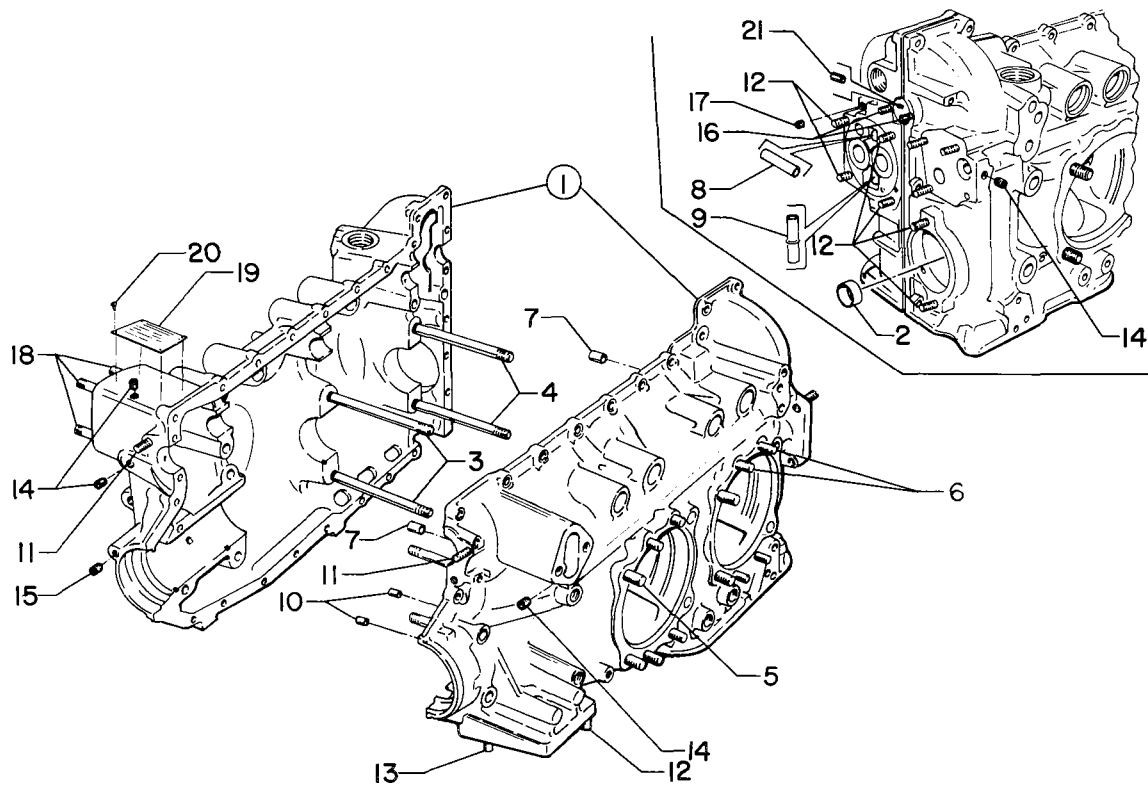
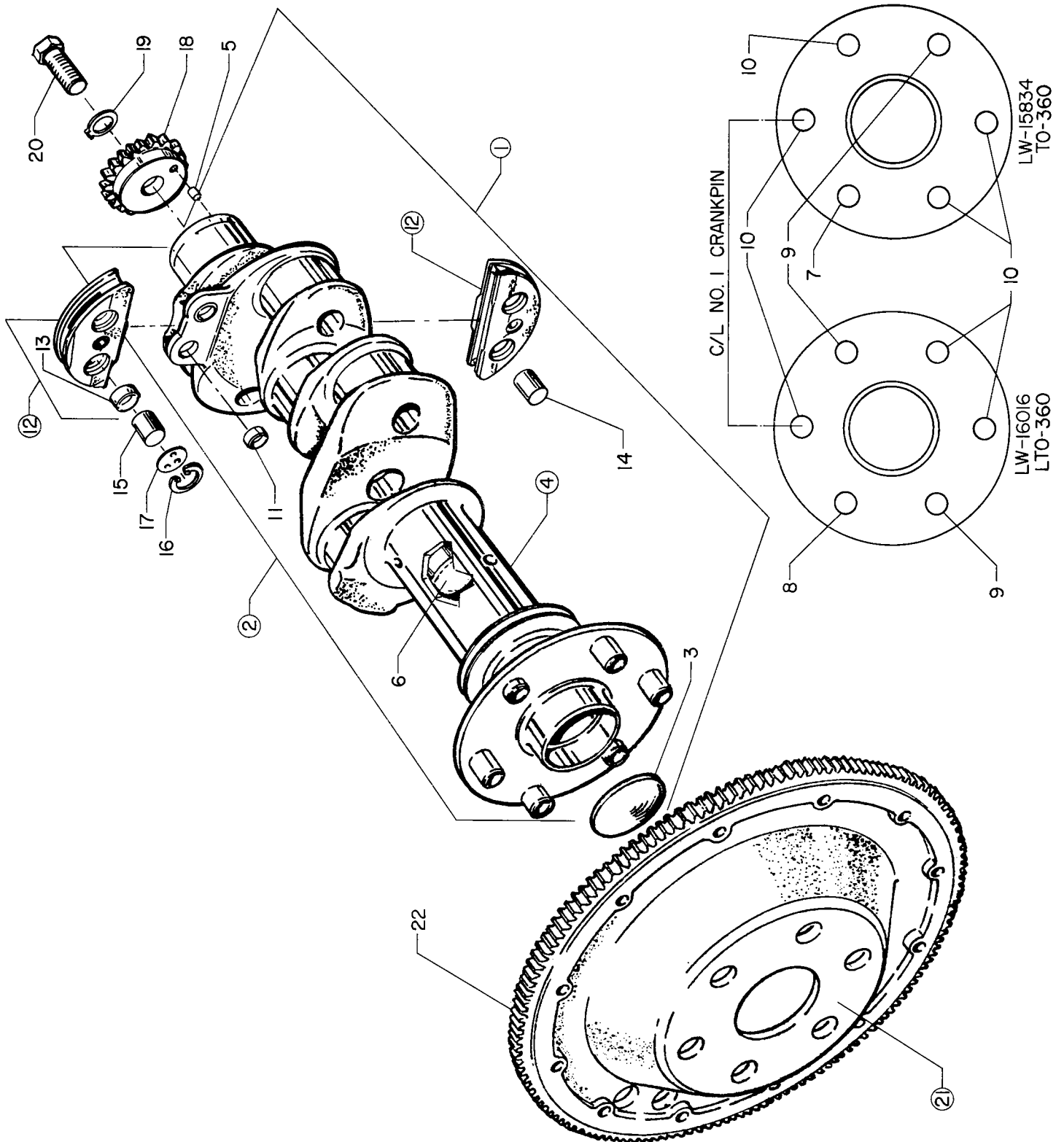


Figure 1.

**CRANKCASE, CRANKSHAFT AND CAMSHAFT GROUP
CRANKSHAFT AND STARTER RING GEAR SUPPORT**

FIG. REF.	PART NUMBER	DESCRIPTION	ON ALL	QUANTITY PER ASSEMBLY															
				TO-360								LTO-360							
				E/A	B	D						E/A	B	D					
1	LW-15836	CRANKSHAFT & COUNTERWEIGHT ASSY.		1															
	LW-16018	CRANKSHAFT & COUNTERWEIGHT ASSY.														1			
2	LW-15835	CRANKSHAFT ASSEMBLY		1															
	LW-16017	CRANKSHAFT ASSEMBLY														1			
3	STD-1211	PLUG, 2.00 dia. expansion	1																
4	LW-15834	CRANKSHAFT, Machining, sub-assembly		1															
	LW-16016	CRANKSHAFT, Machining, sub-assembly														1			
5	STD-2078	DOWEL, 3/8 OD x 1/2 long	1																
6	61510	PLUG, 1-3/4 OD	1																
7	72060	BUSHING, Propeller flange, indexing		1															
8	72074	BUSHING, Propeller flange, indexing, long														1			
9	72061	BUSHING, Propeller flange, indexing, short		1												2			
10	72062	BUSHING, Propeller flange, long		4												3			
11	73810	BUSHING, Crankshaft, dynamic counterweight	4																
12	72801	COUNTERWEIGHT ASSMEMBLY	2																
13	71903	BUSHING, Dynamic counterweight	8																
14	LW-10977	ROLLER, Dynamic counterweight, - 8th order	2																
15	LW-10945	ROLLER, Dynamic counterweight, - 6.3 order	2																
16	LW-14820	RING, Internal retaining	8																
17	71907	WASHER, Dynamic counterweight	8																
18	LW-14708	GEAR, Crankshaft	1																
19	LW-10332	LOCKPLATE	1																
20	AN8-10	BOLT, 1/2-20 x 1-3/32 long	1																
21	77579	SUPPORT ASSY., Starter ring gear, 12/14 pitch		1															
	LW-11519	SUPPORT ASSY., Starter ring gear, 12/14 pitch														1			
22	LW-10551	GEAR, Starter ring, 12/14 pitch														1			
	72566	GEAR, Starter ring, 12/14 pitch		1															



**CRANKCASE, CRANKSHAFT AND CAMSHAFT GROUP
CAMSHAFT AND TACHOMETER DRIVE ASSEMBLY**

FIG. REF.	PART NUMBER	DESCRIPTION	ON ALL	QUANTITY PER ASSEMBLY																					
				TO-360						LTO-360															
				E1A6D						E1A6D															
1	LW-16509	CAMSHAFT, GEAR & TACHOMETER SHAFT ASSEMBLY		1																					
	LW-16515	CAMSHAFT, GEAR & TACHOMETER SHAFT ASSEMBLY																							
2	LW-16508	CAMSHAFT ASSEMBLY		1																					
	LW-16514	CAMSHAFT ASSEMBLY																							
3	STD-1066	DOWEL, Stepped, 5/16 & 1/4 dia. x13/32 long	1																						
4	LW-15032	SHAFT ASSEMBLY, Tachometer	1																						
5	STD-2169	ROLL PIN, 3/16 dia. x 1-1/8 long	1																						
6	LW-15031	GEAR, Camshaft	1																						
7	72078	LOCKPLATE, 5/16 bolt x 1-21/64 spacing	2																						
8	STD-703	BOLT, 5/16-24 x 37/64 long, hex. hd.	4																						
9	LW-16573	GASKET, Tachometer adapter	1																						
10	LW-16575	TACH. ADAPTER & SEAL ASSY.	1																						
11	LW-14260	SEAL, Tachometer drive oil	1																						
12	LW-16574	ADAPTER, Tachometer	1																						
13	62732	CAP, Tachometer drive	1																						
14	STD-8	WASHER, 1/4 plain	2																						
15	STD-160	WASHER, 1/4 lock	2																						
16	STD-1411	NUT, 1/4-20	2																						
17	LW-15379	BAFFLE, Breather	1																						

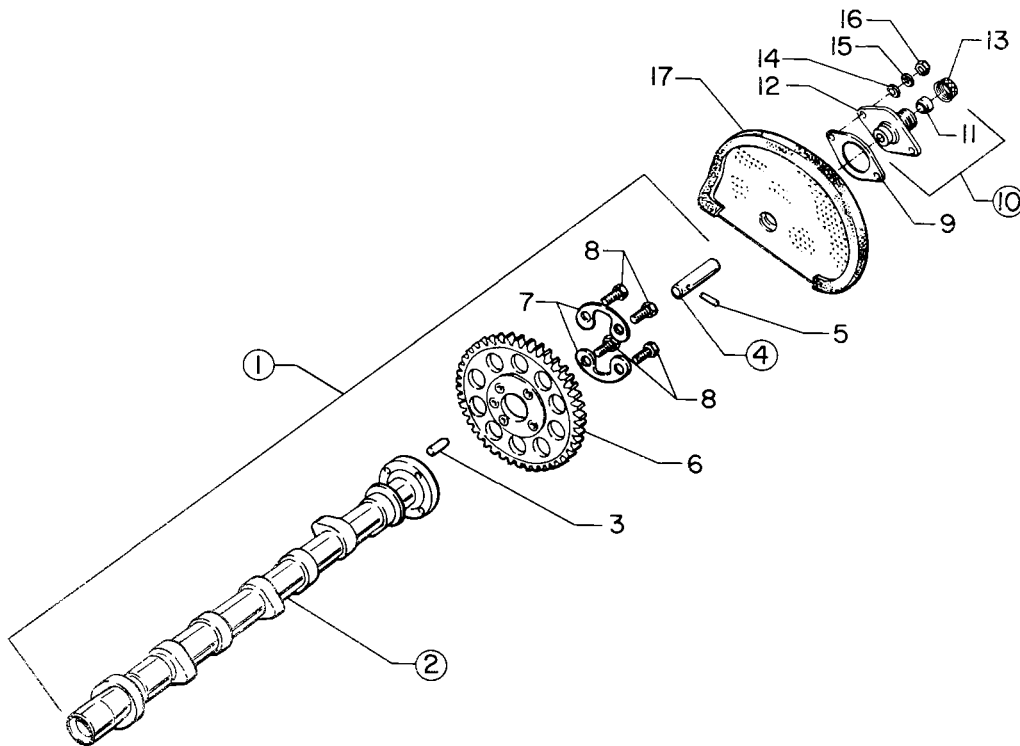


Figure 4.

CRANKCASE, CRANKSHAFT AND CAMSHAFT GROUP

CRANKCASE ATTACHING PARTS

FIG. REF.	PART NUMBER	DESCRIPTION	ON ALL	QUANTITY PER ASSEMBLY	
				TO-360	LTO-360
				E1A6D	E1A6D
1	AN6-36A	BOLT, 3/8-24 x 3-13/16 long, hex. hd.	2		
2	STD-33	WASHER, 3/8 plain	4		
3	STD-678	WASHER, 3/8 internal lock	2		
4	STD-596	NUT, 3/8-24 plain	2		
5	STD-1215	BOLT, 1/4-20 x 1-1/4 long, hex. hd.	16		
6	STD-2103	BOLT, 1/4-20 x 3-3/8 long, hex. hd.	4		
7	STD-8	WASHER, 1/4 plain	20		
8	STD-160	WASHER, 1/4 interlock	20		
9	STD-395	BOLT, 1/4-20 x 1-1/4 long, hex. hd. dr. hd.	3		
10	STD-8	WASHER, 1/4 plain	3		
11	LW-15063	EYE, Lifting	2		
12	STD-2047	BOLT, 1/4-20 x 1-3/8 long, hex. hd.	2		
13	STD-160	WASHER, 1/4 internal lock	2		
14	STD-8	WASHER, 1/4 plain	2		
15	STD-160	WASHER, 1/4 internal lock	2		
16	STD-1646	BOLT, 1/4-20 x 2.00 long, hex. hd.	2		

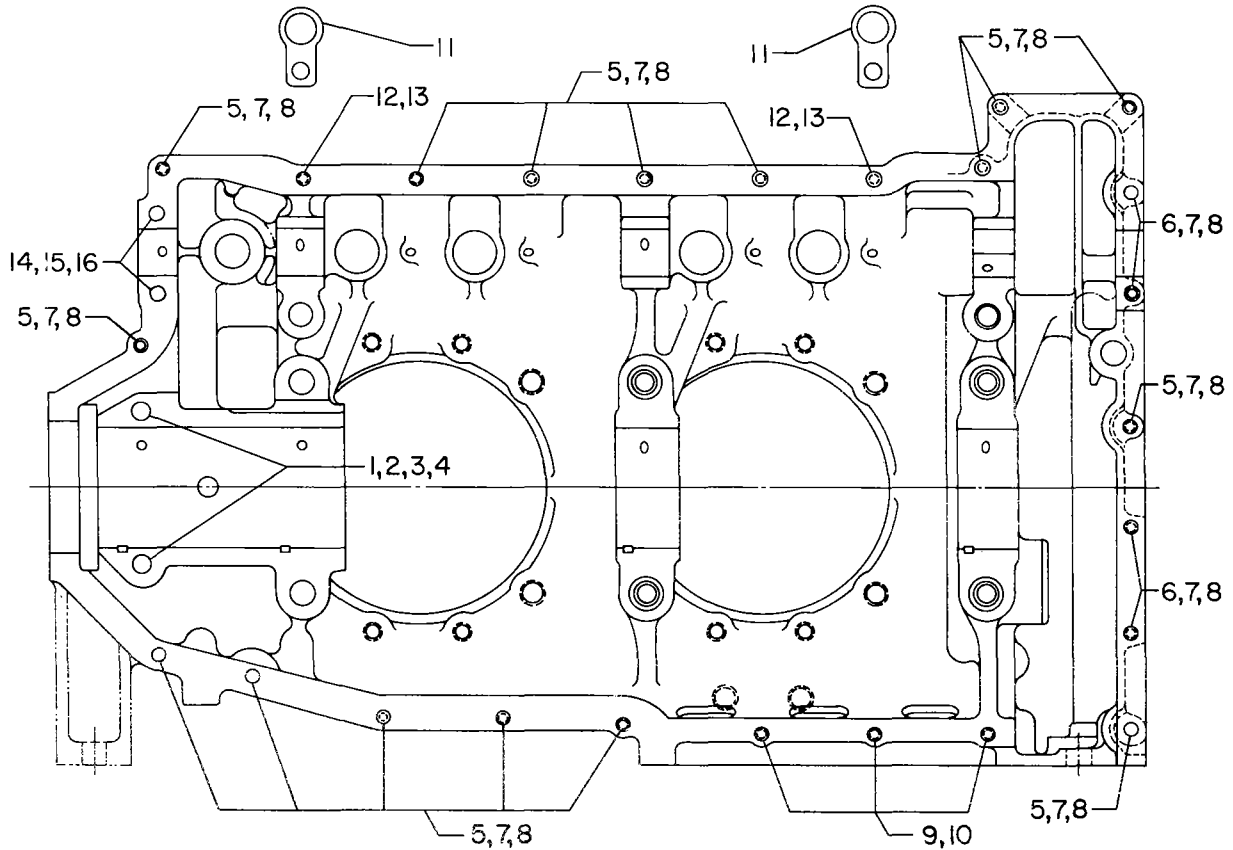


Figure 6.

CYLINDER, PISTON AND VALVE TRAIN

CONNECTING ROD, PISTON AND PISTON RINGS

FIG. REF.	PART NUMBER	DESCRIPTION	ON ALL	QUANTITY PER ASSEMBLY																			
				TO-360						LTO-360													
				E1A6D						E1A6D													
1	LW-15288	ROD ASSEMBLY, Connecting	4																				
2	LW-13923	BUSHING, Connecting rod, upper	4																				
3	78027	BOLT, Connecting rod	8																				
4	LW-12186	NUT, Connecting rod	8																				
5	LW-13209	BEARING, Connecting rod	8																				
6	LW-12733	PISTON, Compression ratio, 8.0:1 min.	4																				
7	LW-14078	PIN, Piston	4																				
8	60828	PLUG, Piston pin	8																				
9	74241	RING, Piston - compression	8																				
10	73857	RING, Piston, oil regulating - expander																					
		type	4																				

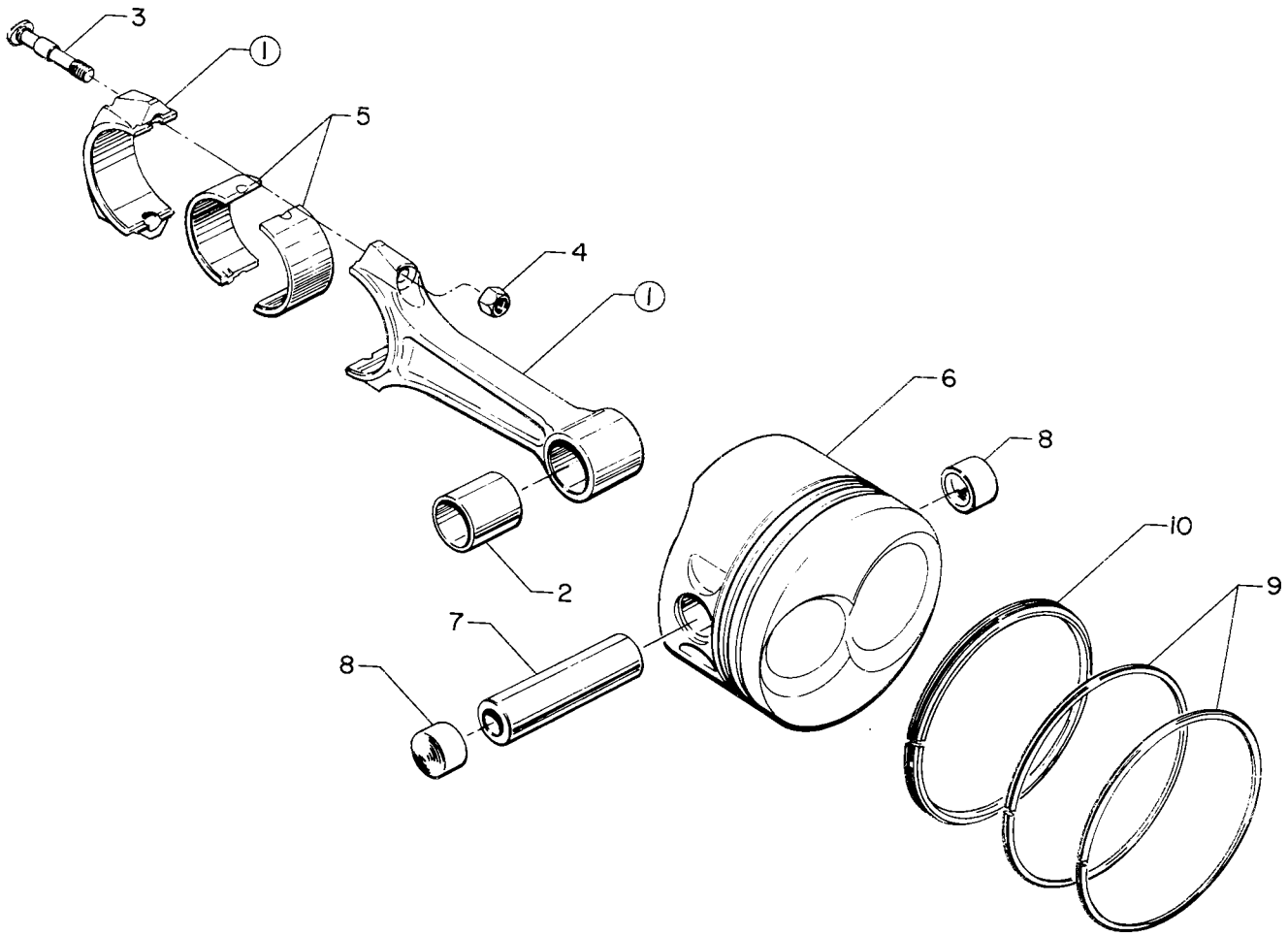


Figure 9.

CYLINDER, PISTON AND VALVE TRAIN

CYLINDER ASSEMBLY

FIG. REF	PART NUMBER	DESCRIPTION	ON ALL	QUANTITY PER ASSEMBLY	
				TO-360	LTO-360
				EIABD	EIABD
1	LW-15322	CYLINDER & HEAD ASSY., Nitrided	4		
2	LW-16290	CYLINDER & HEAD ASSY., Nitrided	4		
2	72057	SEAT, Intake valve	4		
3	72058	SEAT, Exhaust valve	4		
4	76943	GUIDE, Valve, intake	4		
5	77160	GUIDE, Valve, exhaust	4		
6	66796	INSERT, Spark plug 18-1.5MM	8		
	69260	INSERT, Spark plug 18-1.5MM (long reach)	8		
7	STD-1872	INSERT, 1/8-27 Heli-coil, taper pipe thd.	8		
8	31C-12	STUD, 5/16-18 x 1-1/2 long	8		
9	25C-9	STUD, 1/4-20 x 1-1/8 long	4		
10	LW-15360	ELBOW, 1/2 flared tube, 45°	4		
11	31-16	STUD, 5/16-18 x 2.00 long	8		
12	1102	PLUG, 1/8-27 NPT, Allen hd.	4		

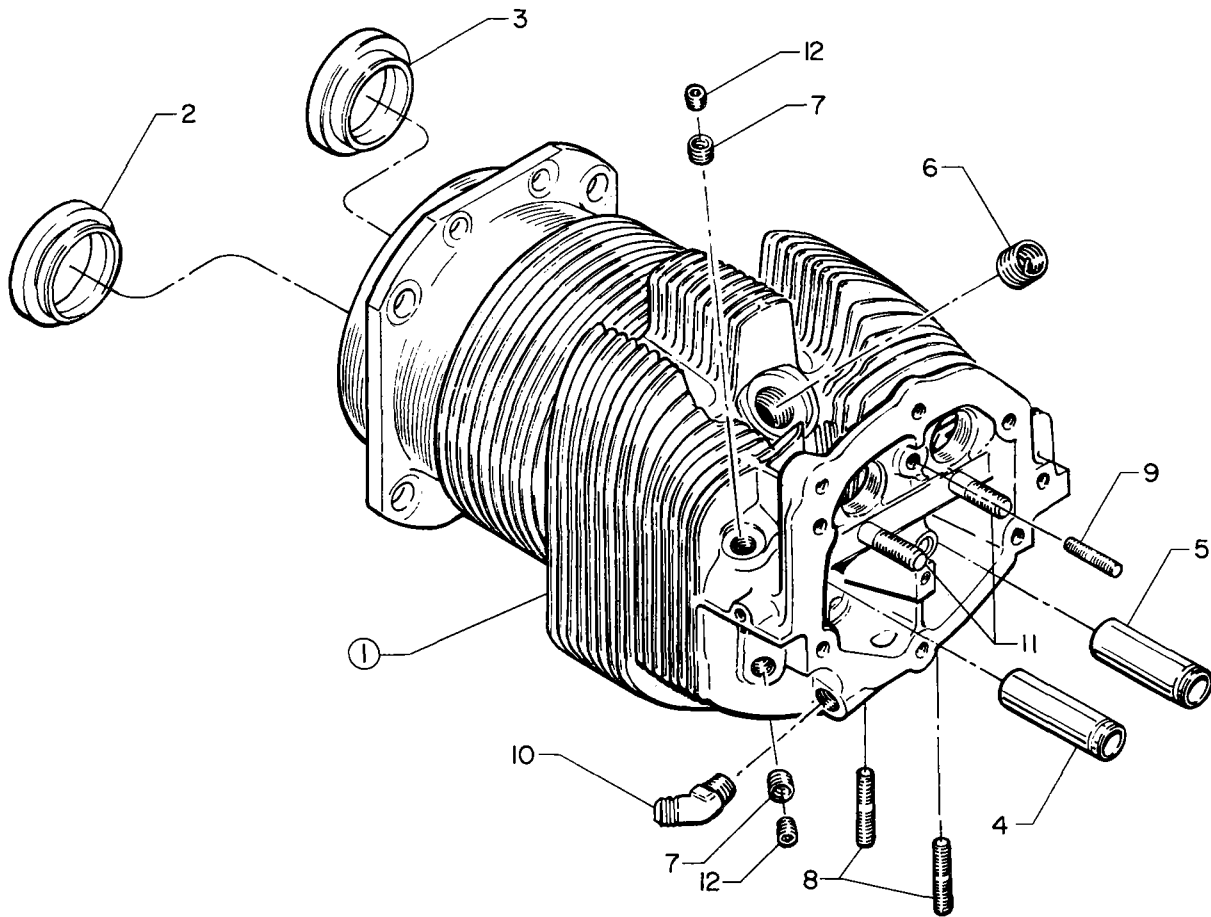


Figure 10.

**CYLINDER, PISTON AND VALVE TRAIN
PUSH RODS, ROCKER ARMS AND HYDRAULIC LIFTERS**

FIG. REF.	PART NUMBER	DESCRIPTION	ON ALL	QUANTITY PER ASSEMBLY	
				TO-360	LTO-360
				EA6D	EA6D
1	LW-15324	ROD ASSEMBLY, Push	8		
2	LW-15407	SEAT, Valve, rocker arm fulcrum	8		
3	LW-15014	ARM, Valve rocker	8		
4	LW-15707	WASHER, 21/64 ID x 1/64 thick	un		
5	MS21045-5	NUT, 5/16-24 self-locking	8		
6	75906	GASKEt, Rocker-box cover	4		
7	LW-15330	COVER, Rocker	4		
8	STD-1925	SCREW, 1/4-20 x 5/8 long, pan. hd., self-locking	24		
9	71481	RING, Oil seal, .09 dia. x 4-27/32 ID	4		
10	383-B	NUT, 3/8-24 plain	16		
11	STD-2090	NUT, 1/2-20 plain	16		
12	LW-16812	TAPPET, Hydraulic	8		

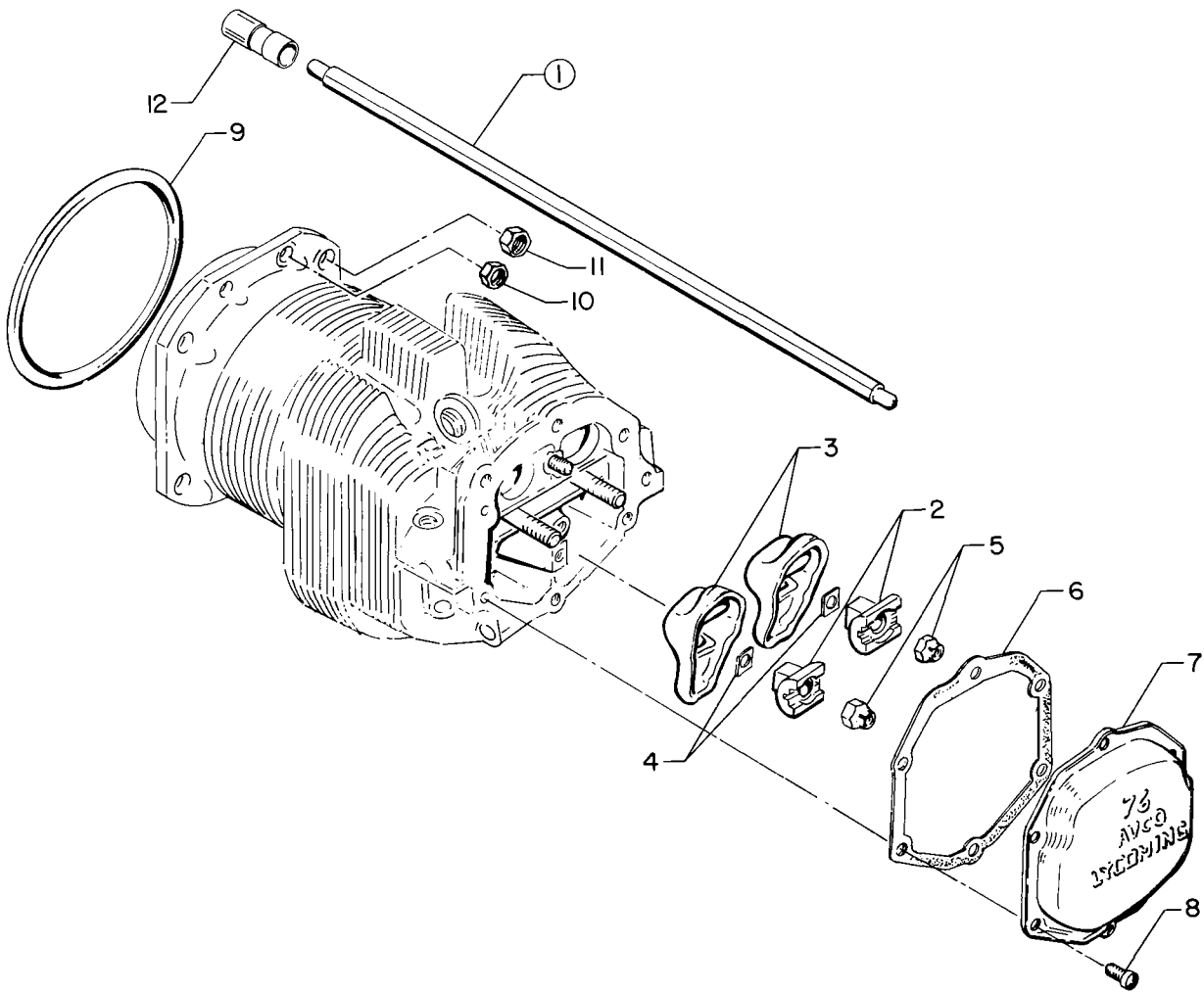


Figure 12.

CYLINDER, PISTON AND VALVE TRAIN

CYLINDER HEAD DRAIN TUBES AND INTERCYLINDER COOLING BAFFLES

FIG. REF. 13	PART NUMBER	DESCRIPTION	ON ALL	QUANTITY PER ASSEMBLY											
				TO-360						LTO-360					
				E1A6D						E1A6D					
1	LW-15359	NIPPLE, 1/4-18 x 1/2 ID Hose	4												
2	STD-2182	HOSE, 1/2 ID x 2-15/32 long	4												
3	LW-15592-8-08	CLAMP, Hose	8												
4	LW-15361	TUBE ASSEMBLY, Cyl. hd. oil drain, cyl. no. 1	1												
	LW-15362	TUBE ASSEMBLY, Cyl. hd. oil drain, cyl. no. 2	1												
	LW-14680	TUBE ASSEMBLY, Cyl. hd. oil drain, cyls. no. 3 & 4	2												
5	75339	BAFFLE ASSEMBLY, Intercylinder	2												
6	71611	RETAINER, Intercylinder	2												
7	71610	HOOK, Intercylinder baffle retainer	2												

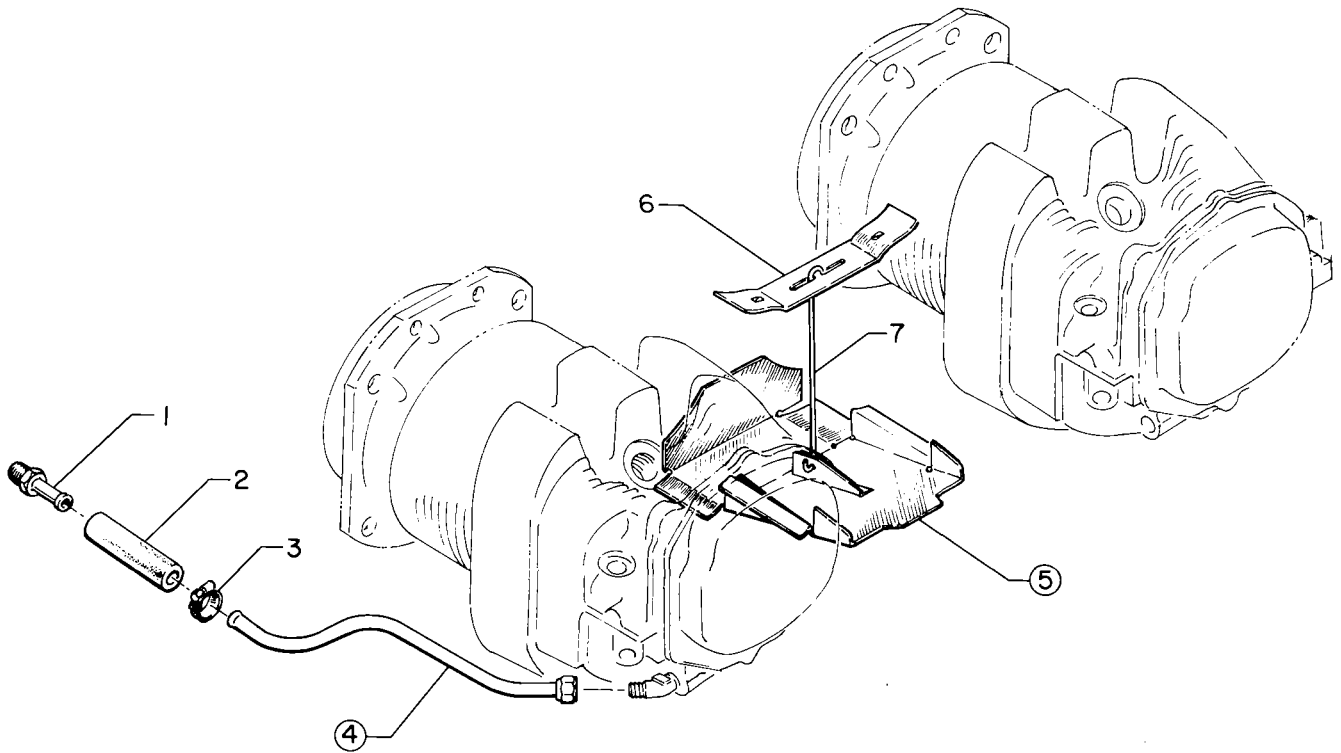


Figure 13.

OIL SUMP AND INDUCTION SYSTEM

OIL SUMP ASSEMBLY

FIG. REF. 16	PART NUMBER	DESCRIPTION	ON ALL	QUANTITY PER ASSEMBLY	
				TO-360	LTO-360
				E1A6D	E1A6D
1	LW-15071	GASKET, Oil sump	1		
2	LW-14888	SUMP ASSEMBLY, Oil	1		
3	31C-14	STUD, 5/16-18 x 1-3/4	4		
4	STD-8	WASHER, 1/4 plain	14		
5	STD-160	WASHER, 1/4 internal lock	14		
6	STD-1999	BOLT, 1/4-20 x 6.00 long	4		
7	STD-1204	BOLT, 1/4-20 x 15/16 long	7		
8	STD-1975	BOLT, 1/4-20 x 2-9/16 long	1		
9	STD-551	PLUG, 1/2-14 NPT, Sq. hd.	3		
10	25C-10	STUD, 1/4-20 x 1-1/4 long	2		
11	STD-1411	NUT, 1/4-20 plain	2		
12	STD-405	PLUG, 1/8-27 NPT, Sq. hd., drilled	2		
13	61378	SCREEN, Oil suction	1		
14	STD-1045	GASKET, 1-1/4 ID x 1-1/2 OD x 3/32	1		
15	61358	PLUG, 1-1/4-12 hex. hd.	1		

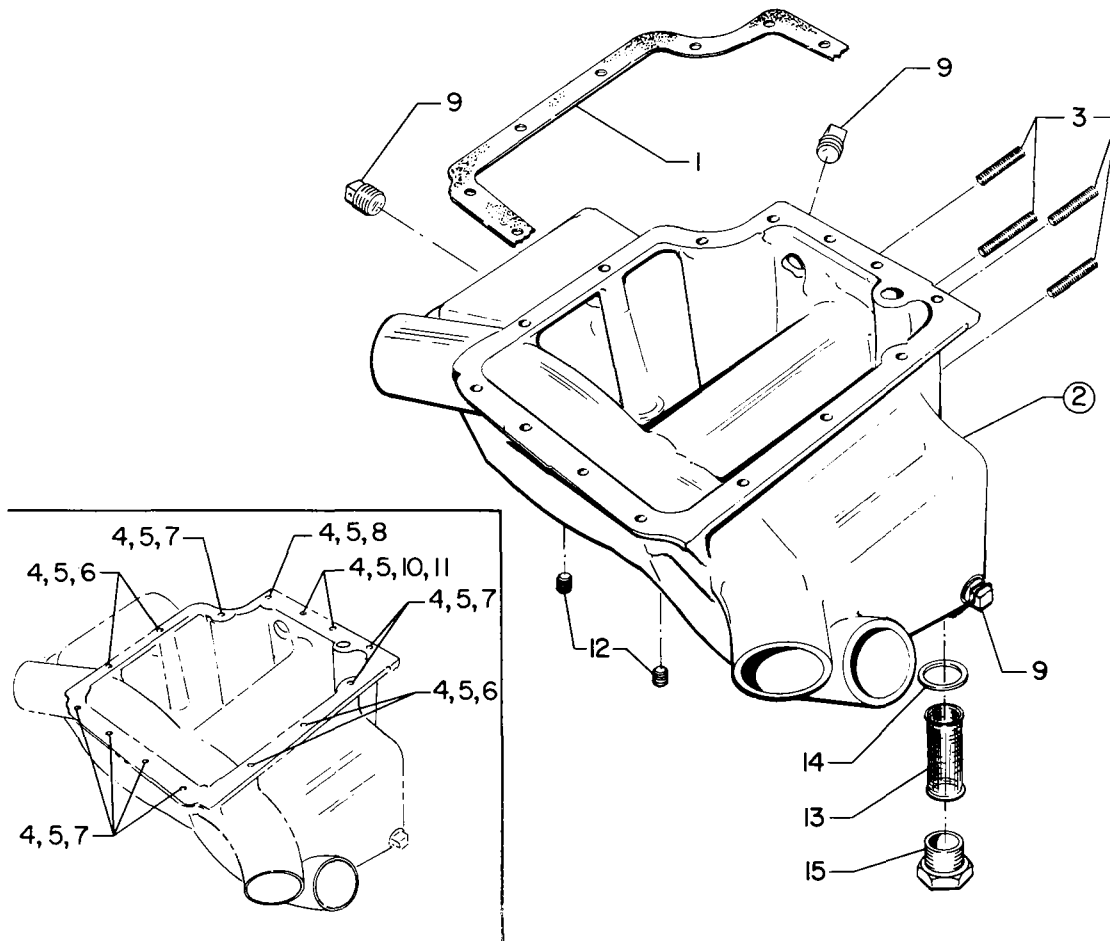


Figure 16.

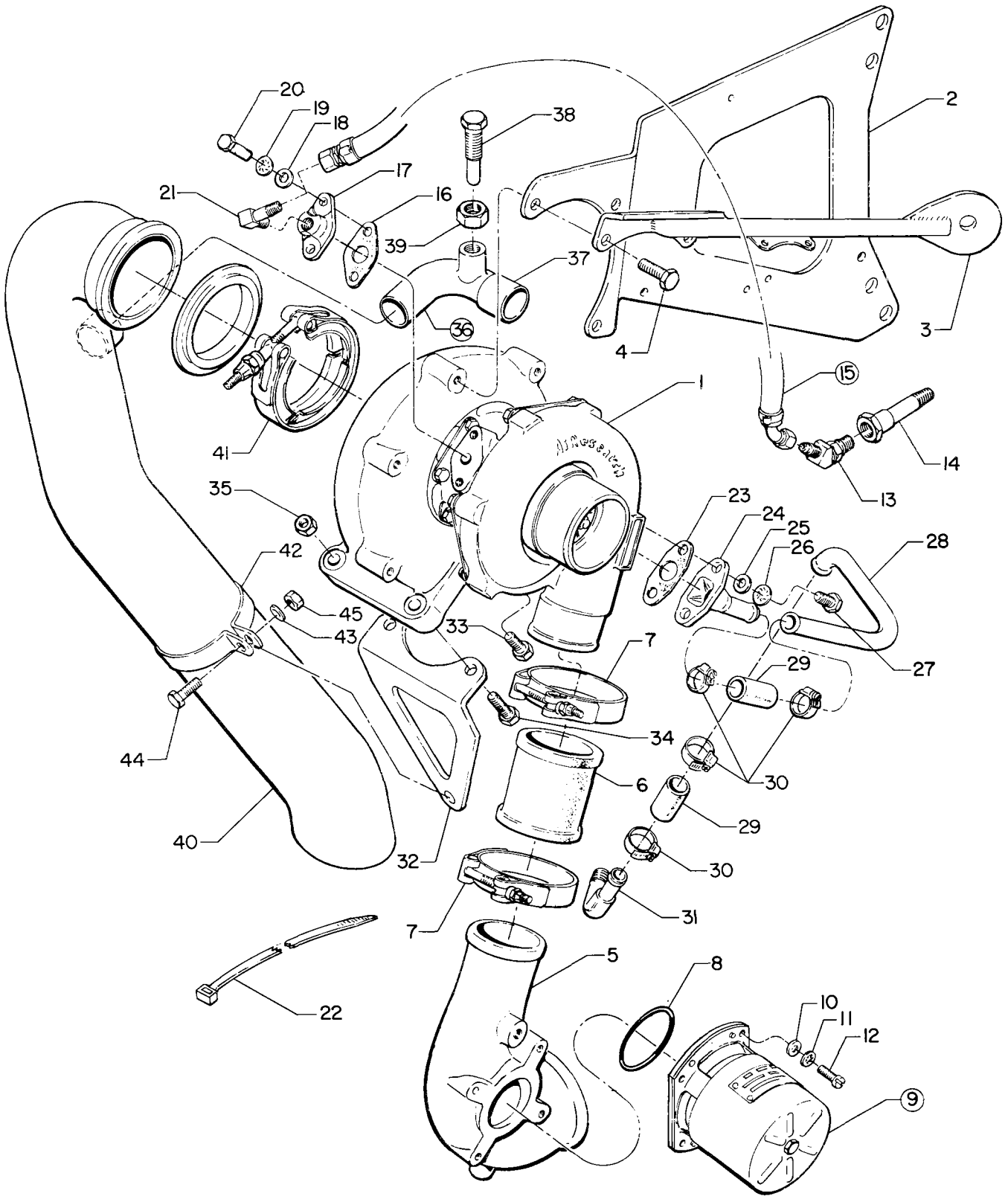


Figure 18. Turbocharger Attaching Parts

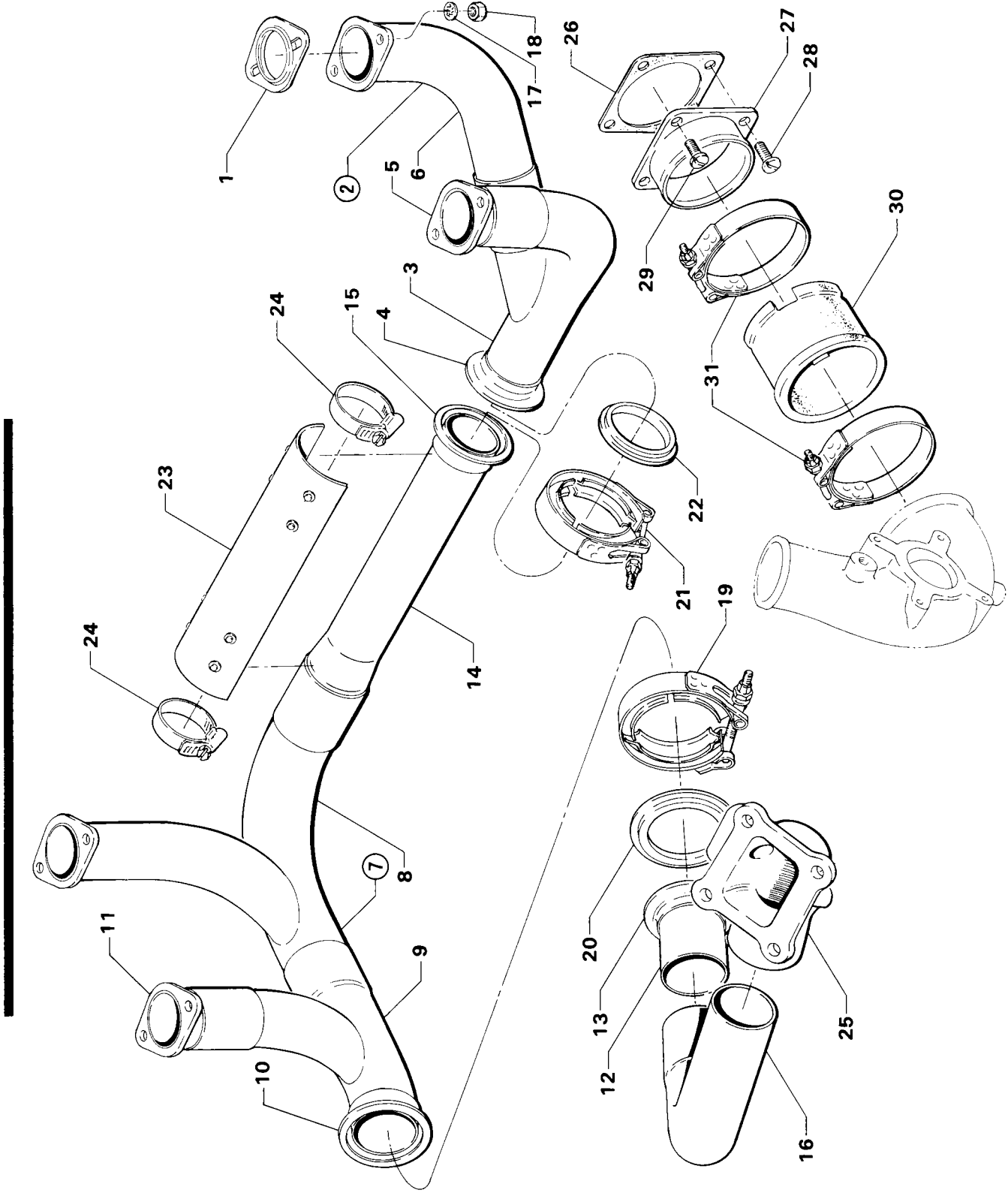


Figure 19. Exhaust and Air Inlet Attaching Parts

Revised May, 1985

SECTION 7
SERVICE KIT SECTION
SEAL AND GASKET SET
TO-360, LTO-360 76 SERIES

Part No.	Part Name	Qty.
LW-16765	SEAL AND GASKET SET	1
STD-208	SEAL, Oil	1
STD-294	GASKET, Thermometer well	1
STD-1045	GASKET, Oil pressure relief valve	2
MS29513-138	SEAL, Oil	1
MS29512-8	SEAL, Oil	2
8313	GASKET, Vacuum pump	1
60096	GASKET, Fuel pump	1
77611	GASKET, Exhaust flange	4
66224	GASKET, Carburetor	1
70310	SEAL, Shroud tube	8
71481	RING, Oil seal	4
71973	GASKET, Intake flange	4
72053	GASKET, Governor drive	2
72075	SEAL, Oil	7
72078	LOCKPLATE, Cam gear	2
72091	RING, Oil seal	2
72220	GASKET, Oil fillter ext.	1
72312	RING, Oil seal	1
75906	GASKET, Rocker box cover	4
LW-12272	LOCKPLATE, Shroud tube	4
LW-12681	GASKET, Magneto	1
LW-14995	SPRING	4
LW-13792	SEAL, Crankshaft oil	1
LW-14260	SEAL, Tach. shaft	1
LW-15046	GASKET, Oil filter adapter	1
LW-15070	SEAL	1
LW-15071	GASKET, Oil sump	1
LW-15097	SEAL	1
LW-15109	SEAL	1
LW-15262	LOCKPLATE, Oil pump gear	1
LW-15280	SEAL, Shroud tube	8
61173	GASKET, Press. hsg.	1
61523	BOX	1
77154	GASKET, Carburetor	1
77813	GASKET, Turbo oil inlet	1
LW-13473	GASKET, Carburetor inlet	1
75356	GASKET, Turbo oil drain	1

SECTION 7
SERVICE KIT SECTION
CYLINDER, PISTON AND RING KIT
TO-360, LTO-360 76 SERIES

Part No.	Part Name	Qty.
LW-16764	CYLINDER, PISTON AND RING ASSEMBLY	1
MS13997-3	KEY, Valve exhaust	2
MS21045-5	NUT, Self-locking	2
STD-1411	NUT, Plain	1
STD-1925	SCREW, Self-locking	6
60009	KEY, Valve intake	2
60828	PLUG, Piston pin	2
65441	SEAT, Valve spring - lower	1
70310	SEAL, Shroud tube	2
71195	BOX, Set-up	1
71481	RING, Oil seal	1
73857	RING, Piston	1
74241	RING, Piston, compression	2
76081	VALVE, Exh. (rotator type)	1
75906	GASKET, Rocker box cover	1
LW-16475	SEAT, Valve spring, upper, exhaust	1
LW-10077	SEAT, Valve spring, upper, intake	1
LW-11795	SPRING, Valve inner	2
LW-11800	SPRING, Valve outer	2
LW-12272	LOCKPLATE, Shroud tube	1
LW-13323	SEAT, Valve spring, lower, exhaust	1
LW-14995	SPRING, Shroud tube	1
LW-14078	PIN, Piston	1
LW-15407	SEAT, Valve rocker arm	2
LW-15014	ROCKER ASSY., Valve	2
LW-15709	WASHER	6
LW-15280	SEAL, Shroud tube	2
LW-15314	VALVE, Intake	1
LW-15316	CAP, Valve stem, exhaust	1
LW-16290	CYLINDER ASSY., (Nitride) long reach	1
LW-15330	COVER, Rocker box	1
LW-12733	PISTON	1

**SECTION 8
NUMERICAL INDEX**

PART NO.	PART NAME	PAGE NO.	PART NO.	PART NAME	PAGE NO.
AN6C-11A	Bolt	6-1	LW-15046	Gasket	1-9
AN6C-12A	Bolt	6-1	LW-15047	Adapter	1-9
AN960C-516	Washer	6-1	LW-15063	Eye	1-7
AN6-13	Bolt	4-1	LW-15070	Seal	1-8
AN6-14	Bolt	4-1	LW-15071	Gasket	5-1
AN6-36A	Bolt	1-7	LW-15097	"O" Ring	3-1
AN8-10	Bolt	1-3	LW-15109	"O" Ring	1-6
AN840-12D	Fitting	1-9	LW-15140	Shaftgear	1-6
AN844-12D	Fitting	1-9	LW-15141	Washer	1-6
LW-10077	Seat	2-3	LW-15142	Cover	1-6
LW-10332	Lockplate	1-3	LW-15262	Lockplate	1-8
LW-10551	Gear	1-3	LW-15263	Gear	1-8
LW-10637	Elbow	1-9	LW-15265	Strut	4-1
LW-10945	Roller	1-3	LW-15266	Link	4-1
LW-10977	Roller	1-3	LW-15267	Bracket	4-1
LW-11519	Support Assy.	1-3	LW-15274	Gear	1-6
LW-11795	Spring	2-3	LW-15276	Stud	1-1
LW-11800	Spring	2-3	LW-15277	Stud	1-1
LW-12093-4	Coupling	6-3	LW-15288	Rod	2-1
LW-12093-5	Coupling	6-3	LW-15314	Valve	2-3
LW-12093-8	Coupling	6-1	LW-15316	Cap	2-3
LW-12136	Cushion	3-1	LW-15322	Cylinder & Head	2-2
LW-12186	Nut	2-1	LW-15324	Rod Assembly	2-4
LW-12272	Lockplate	2-3	LW-15328	Bearing	1-2
LW-12681	Gasket	3-1	LW-15345	Shaft	1-8
LW-12690	Elbow	6-1	LW-15360	Elbow	2-2
LW-12733	Piston	2-1	LW-15376	Tube	1-1
LW-13209	Bearing	2-1	LW-15377	Tube	1-1
LW-13323	Seat	2-3	LW-15379	Baffle	1-5
LW-13473	Gasket	6-3	LW-15407	Seat	2-4
LW-13792	Seal	1-2	LW-15571	Starter	4-1
LW-13904	Converter Plate Kit	1-9	LW-15617	Bracket	1-2
LW-13906	Filter	1-9	LW-15618	Bracket	1-2
LW-13923	Bushing	2-1	LW-15834	Crankshaft	1-3
LW-14078	Pin	2-1	LW-15835	Crankshaft Assy.	1-3
LW-14114	Connector	6-1	LW-15836	Cr'kshaft & C'twt. Assy.	1-3
LW-14134	Hose	5-2	LW-15859	Hose	6-3
LW-14215	Starter	4-1	LW-15886	Adapter	6-3
LW-14260	Seal	1-5	LW-15931	Body Assy.	1-8
LW-14394	Hose	6-1	LW-15933	Body Assy.	1-8
LW-14680	Tube Assy.	2-5	LW-15998	Impeller	1-8
LW-14708	Gear	1-3	LW-15999	Impeller Assy.	1-8
LW-14785	Gage Assy.	1-2	LW-16016	Crankshaft	1-3
LW-14820	Ring	1-3	LW-16017	Crankshaft Assy.	1-3
LW-14888	Sump	5-1	LW-16018	Cr'kshaft & C'twt. Assy.	1-3
LW-14916	Pipe	5-2	LW-16056	Tube	2-3
LW-14995	Spring	2-3	LW-16217	Hose	6-1
LW-15014	Rocker	2-4	LW-16246	Duct	6-1
LW-15031	Gear	1-5	LW-16264	Turbocharger	6-1
LW-15032	Shaft	1-5	LW-16265-1	Valve Assy.	6-1
LW-15045	Bushing	1-1	LW-16286	Filter	1-9

**SECTION 8
NUMERICAL INDEX (Cont).**

PART NO.	PART NAME	PAGE NO.	PART NO.	PART NAME	PAGE NO.
LW-16290	Cylinder & Head	2-2	LW-16947	Fuel Pump	1-9
LW-15330	Cover	2-4	LW-18017	Bearing	1-2
LW-16350	Bracket	1-2	LW-R-0.750-275	Seal	2-3
LW-16351	Bracket	1-2	LW-25-3.00	Bolt	1-9
LW-15359	Nipple	2-5	LW-31SSH.81	Bolt	3-1
LW-15361	Tube Assembly	2-5	LW-38-2.75	Bolt	1-2
LW-15362	Tube Assembly	2-5	LW-12878-4S-170	Hose Assy.	6-1
LW-16380	Pipe	6-3	LW-15592-S-08	Clamp	6-1
LW-16381	Pipe	6-3	LW-15592-8-08	Clamp	2-5
LW-16382	Pipe	6-3	LW-15592-8-24	Clamp	5-2
LW-16383	Adapter	6-3	LW-15592-8-24	Clamp	5-2
LW-16384	Adapter	6-3	LW-15592-8-28	Clamp	5-2
LW-16385	Pipe	6-3	LW-15858-62-244	Clamp	6-1
LW-16386	Pipe	6-3	LW-15858-62-350	Clamp	6-3
LW-16387	Pipe	6-3	LW-382555-13	Magneto	3-1
LW-16388	Manifold Assy.	6-3	LW-382555-15	Magneto	3-1
LW-16389	Manifold	6-3	LW-382555-16	Magneto	3-1
LW-16393	Pipe	6-1	LW-385124-121	Magneto	3-1
LW-16395	Bracket	6-1	LW-385124-129	Magneto	3-1
LW-16399	Transition	6-3	LW-385124-130	Magneto	3-1
LW-16406	Heat Shield	6-3	LW-620026-2	Clip, one wire	3-1
LW-16407	Heat Shield	5-2	LW-620028-3	Clip, two wire	3-1
LW-16415	Strut	6-1	LW-684406-303	Harness	3-1
LW-16416	Flange	6-1	LW-684411-402	Harness	3-1
LW-16417	Tube	6-1	MS124703	Insert	1-9
LW-16419	Carburetor	5-2	MS13997-3	Key	2-3
LW-16474	Clamp	6-3	MS20500-624	Nut	6-1
LW-16475	Seat	2-3	MS21045-5	Nut	2-4
LW-16508	Camshaft	1-5	MS29512-8	Seal	1-9
LW-16509	Camshaft	1-5	MS29513-138	Seal	6-1
LW-16514	Camshaft	1-5	STD-8	Washer	1-5
LW-16515	Camshaft	1-5	STD-8	Washer	1-6
LW-16573	Gasket	1-5	STD-8	Washer	1-7
LW-16574	Adapter	1-5	STD-8	Washer	1-8
LW-16575	Tach. Adapter & Seal	1-5	STD-8	Washer	1-9
LW-16612	Bolt	6-1	STD-8	Washer	5-1
LW-16613	Nut	6-1	STD-8	Washer	5-2
LW-16614	Tube Exhaust Bleed	6-1	STD-33	Washer	1-7
LW-16615	Exhaust Air Bleed	6-1	STD-33	Washer	1-9
LW-16618	Support	6-1	STD-33	Washer	6-1
LW-15659	Gear	3-1	STD-35	Washer	1-6
LW-16684	Body Assy.	1-8	STD-35	Washer	1-8
LW-16688	Body Assy.	1-8	STD-35	Washer	4-1
LW-16705	Band	6-1	STD-35	Washer	5-2
LW-15707	Washer	2-4	STD-35	Washer	6-1
LW-16747	Elbow	6-1	STD-96	Woodruff Key	1-6
LW-16783-1	Gage Assy.	1-2	STD-160	Washer	1-5
LW-16802	Crankcase Assy.	1-1	STD-160	Washer	1-6
LW-16804	Crankcase Assy.	1-1	STD-160	Washer	1-7
LW-16812	Tappet	2-4	STD-160	Washer	1-8

**SECTION 8
NUMERICAL INDEX (Cont).**

PART NO.	PART NAME	PAGE NO.	PART NO.	PART NAME	PAGE NO.
STD-160	Washer	1-9	STD-1646	Bolt	1-7
STD-160	Washer	5-1	STD-1727	Washer	4-1
STD-160	Washer	5-2	STD-1763	Locknut	5-2
STD-205	Screw	1-6	STD-1817	Bolt	4-1
STD-208	Oil Seal	1-8	STD-1858	Bolt	4-1
STD-251	Washer	6-1	STD-1872	Insert	2-2
STD-294	Gasket	1-9	STD-1882	Screw	1-9
STD-375	Screw	6-1	STD-1901	Drive Stud	1-1
STD-394	Dowel	1-1	STD-1902	Bolt	6-1
STD-405	Plug	5-1	STD-1925	Screw	2-4
STD-425	Washer	6-1	STD-1925	Screw	6-3
STD-475	Washer	1-6	STD-1946	Bolt	6-1
STD-475	Washer	1-8	STD-1975	Bolt	5-1
STD-475	Washer	3-1	STD-1999	Bolt	5-1
STD-475	Washer	4-1	STD-2043	Nut	6-1
STD-475	Washer	6-1	STD-2047	Bolt	1-7
STD-475	Washer	6-3	STD-2057	Key	1-8
STD-551	Plug	5-1	STD-2078	Dowel	1-3
STD-557	Dowel	1-1	STD-2090	Nut	2-4
STD-557	Dowel	1-8	STD-2103	Bolt	1-7
STD-596	Nut	1-7	STD-2156	Bolt	4-1
STD-678	Washer	1-2	STD-2157	Bolt	6-1
STD-678	Washer	1-7	STD-2169	Roll Pin	1-5
STD-678	Washer	6-1	STD-2182	Hose	2-5
STD-690	Washer	4-1	STD-2191	Washer	1-2
STD-703	Bolt	1-5	STD-2199	Screw	6-3
STD-713	Cotter Pin	4-1	25C-9	Stud	1-1
STD-783	Plug	1-8	25C-9	Stud	2-2
STD-872	Nut	4-1	25C-10	Stud	1-1
STD-1045	Gasket	1-2	25C-10	Stud	1-9
STD-1045	Gasket	5-1	25C-10	Stud	5-1
STD-1063	Nut	1-8	25C-12	Stud	1-8
STD-1066	Dowel	1-5	31C-12	Stud	1-1
STD-1204	Bolt	5-1	31C-12	Stud	2-2
STD-1211	Plug	1-3	31C-13	Stud	1-1
STD-1215	Bolt	1-7	31C-14	Stud	5-1
STD-1215	Bolt	5-2	31C-16	Stud	1-1
STD-1339	Plug	1-1	31-16	Stud	2-2
STD-1410	Nut	1-6	38-13	Stud	1-1
STD-1410	Nut	1-8	50-15	Stud	1-1
STD-1410	Nut	3-1	383-B	Nut	2-4
STD-1410	Nut	4-1	1028-B	Ball	1-2
STD-1410	Nut	5-2	1102	Plug	1-1
STD-1410	Nut	6-3	1102	Plug	2-2
STD-1411	Nut	1-5	1182-D4	Spark Plug	3-1
STD-1411	Nut	1-6	1182-U5	Spark Plug	3-1
STD-1411	Nut	1-8	8313	Gasket	1-8
STD-1411	Nut	1-9	60009	Key	2-3
STD-1411	Nut	2-3	60096	Gasket	1-9
STD-1411	Nut	5-1	60430	Cover	1-8

**SECTION 8
NUMERICAL INDEX (Cont).**

PART NO.	PART NAME	PAGE NO.	PART NO.	PART NAME	PAGE NO.
60828	Plug	2-1	72220	Gasket	1-2
61084	Spring	1-2	72377	Elbow	5-2
61358	Plug	5-1	72378	Cover	1-6
61378	Screen	5-1	72566	Gear	1-3
61510	Plug	1-3	72801	Counterweight	1-3
61548	Nameplate	1-1	73346	Flange	5-2
61548-YB	Nameplate	1-1	73810	Bushing	1-3
62732	Cap	1-5	73857	Ring	2-1
65441	Seat	2-3	73944	Elbow	6-1
66145	Dowel	1-8	74241	Ring	2-1
66796	Insert	2-2	75339	Baffle	2-5
68875	Retainer	3-1	75356	Gasket	6-1
69260	Insert	2-2	75906	Gasket	2-4
69796	Dowel	1-1	75944	Valve	1-9
70310	Seal	2-3	75965	Clamp	3-1
71481	Ring	2-4	76081	Valve	2-3
71610	Hook	2-5	76534	Shim	4-1
71611	Retainer	2-5	76734	Zip Strap	3-1
71712	Pipe	5-2	76734	Zip Strap	6-1
71903	Bushing	1-3	76943	Guide	2-2
71907	Washer	1-3	77154	Gasket	5-2
71973	Gasket	5-2	77160	Guide	2-2
72053	Gasket	1-6	77579	Support Assy.	1-3
72057	Seat	2-2	77611	Gasket	6-3
72058	Seat	2-2	77808	Valve Assy.	1-2
72060	Bushing	1-3	77813	Gasket	6-1
72061	Bushing	3-1	77814	Adapter	6-1
72062	Bushing	1-3	78027	Bolt	2-1
72074	Bushing	1-3	78077	Flange	6-3
72075	Ring	1-2	78082	Flange	6-3
72078	Lockplate	1-5	78084	Gasket	6-3
72091	Ring	1-2	78257	Gasket	6-3