

**Cub Crafters CC363i
(Lycoming YIO-360-EXP128)
Cub Crafters CC363i-FP
(Lycoming YIO-360-EXP304)
Illustrated Parts Catalog**

May 2026

I PC-CC363i/CC363i-FP Rev. 1



652 Oliver Street
Williamsport, PA 17701

CC363i/CC363i-FP Illustrated Parts Catalog

Lycoming Part Number: PC-CC363I/CC363I-FP Rev. 1

For additional information:

Mailing address:

Lycoming Engines
652 Oliver Street
Williamsport, PA 17701 U.S.A.

Phone:

Product Support: U.S. and Canada toll free: +1-877-839-7878
International Customers: +1-570-323-7222

Lycoming Product Support regular business hours are:

Monday through Thursday from 8:00 A.M. through 10:00 P.M. Eastern Time (-5 GMT)

Friday from 8:00 A.M. through 6:00 P.M. Eastern Time (-5 GMT)

or Email: Technicalsupport@lycoming.com

Visit us online at:

www.lycoming.com



©2026 Lycoming. All Rights Reserved.

Lycoming and "Powered by Lycoming" are trademarks or registered trademarks of Lycoming.

Lycoming Engines, a division of AVCO Corporation.

All brand and product names referenced in this publication are trademarks or registered trademarks of their respective companies.



Record of Revisions

NOTICE: Service Documents with a later release date than this parts catalog override parts information in this document.

| Rev No. | Revision Changes | Issue Date |
|---------|--|-------------|
| New | Initial Release of PC-CC363i/CC363i-FP | August 2025 |
| Rev. 1 | <p>Chapter 72-60</p> <ul style="list-style-type: none"> Revised Figures 15 and 16 to show a more accurate representation of the accessory housing. | May 2026 |

This page intentionally left blank

TABLE OF CONTENTS

| <u>Subject</u> | <u>Chapter</u> | <u>Page</u> |
|--|----------------|-------------|
| Frontal | | |
| Record of Revisions | | i |
| Table of Contents | | iii |
| Introduction | | v |
| Abbreviations and Acronyms | | ix |
| Oversize and Undersize Part Listing | | xi |
| Reciprocating Engine | 72-00 | |
| Power Section | 72-20 | |
| 1. Propeller Governor Drive Assembly | | 0-1 |
| 2. Crankcase Assembly | | 2-3 |
| 3. Crankcase Related Parts | | 4-5 |
| 4. Crankshaft Assembly and Related Parts | | 6-7 |
| 5. Crankshaft Idler Gears, Tachometer Drive, and Camshaft | | 8-9 |
| 6. Crankcase Attaching Parts | | 10-11 |
| 7. Crankcase Attaching Parts (Fixed Pitch Propeller) | | 12-13 |
| Cylinder Section | 72-30 | |
| 1. Connecting Rods, Pistons and Ring Assemblies | | 14-15 |
| 2. Cylinder Assembly | | 16-17 |
| 3. Valve Assembly and Related Parts | | 18-19 |
| 4. Cylinder Related Parts | | 20-21 |
| 5. Cylinder Head Drain Tubes, Intercylinder Cooling Baffles, and Rocker Box Covers | | 22-23 |
| 6. Intake Pipes and Attaching Parts | | 24-25 |
| Lubrication System | 72-50 | |
| 1. Oil Level Gage | | 26-27 |
| Accessory Drives | 72-60 | |
| 1. Accessory Housing Assembly | | 28-29 |
| 2. Oil Pump Assembly and Accessory Housing Attaching Parts | | 30-31 |
| 3. Fuel Pump Assembly and Attaching Parts | | 32-33 |
| 4. Oil Filter Assembly, Oil Cooler Bypass Valve and Breather Fitting | | 34-35 |
| Subject | Chapter | Page |

| | | |
|---|--------------|-------|
| Engine and Fuel Control | 73-00 | _____ |
| Fuel Distribution | 73-10 | |
| 1. Fuel Injector, Fuel Manifold, and Fuel Lines | | 36-39 |
| Ignition Distribution System | 74-00 | _____ |
| Distribution | 74-00 | |
| 1. Lightspeed Ignition | | 40-41 |
| Exhaust System | 78-00 | _____ |
| Exhaust System | 78-00 | |
| 1. Exhaust Gasket and Flange Attaching Parts | | 42-43 |
| Starting | 80-00 | _____ |
| Cranking | 80-10 | |
| 1. Starter Motor and Attaching Parts | | 44-45 |
| Back Section | | _____ |
| Service Kit Section | | 46-49 |
| Numerical Index | | 50-54 |

Units per Assembly Column

Where more than one assembly exists, this column contains the quantity of a specific part required in the build sequence of only one next higher assembly. The letters “AR” are for “as required” applicable to bulk items or non-illustrated select-from-range-parts. The letters “RF” identify items for reference.

Lockwire, Safety Cable

To maintain as assembled torque integrity Lockwire used is to be a one continuous strand twisted to keep tension on various internal fasteners ensuring a minimum torque is retained. Lockwire installed correctly will pull in the direction of fastener assembled tension. Lycoming Engines does not recommend the use of safety cable for retention of internal engine parts or assemblies. Refer to the latest revision of **Service Instruction No. 1566**.

Vendor Accessories

Parts coverage of Vendor Accessories used on Lycoming engines may be found in the appropriate Vendor’s Parts Catalog. A list of vendor’s addresses appears in the latest revision of Lycoming Service Letter No. L114.

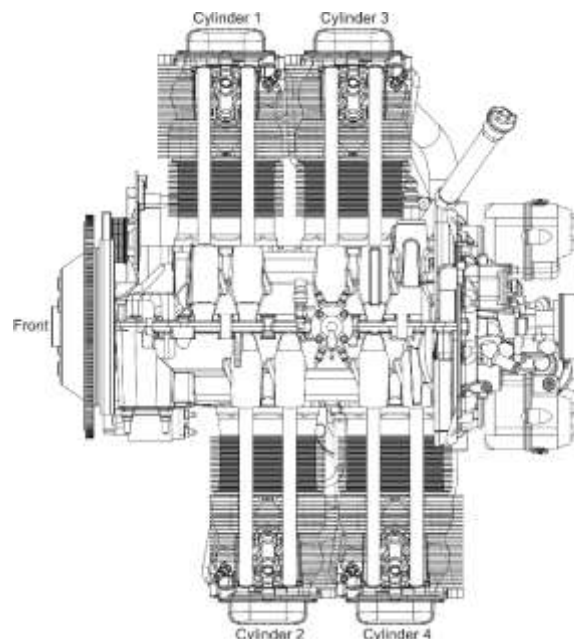
Any reference in this document to the suppliers/part manufacturer’s product, by name, trademark, part number or other description is solely for the purpose of identification and does not indicate or infer that Lycoming accepts responsibility for quality control and/or airworthiness of parts, which do not pass through the Lycoming quality control system.

Environmental Compliance

Lycoming is concerned with preserving the environment. Lycoming strongly urges engine owners and repair/overhaul personnel to observe and comply with all federal, state, and local environmental regulations when solvents, paint, fuel, oil, chemicals, or other consumables are used in operating, maintaining, or overhauling an engine component. Please share our concern for, and commitment to a clean earth, clean water, and especially clean air for succeeding generations of flyers.

Perspective of References

In this manual, all references to locations of various components will be designated as if viewing the engine from the rear (or anti-propeller) end. The front of the engine is considered to be the propeller end and the oil sump is considered to be on the bottom of the engine. Cylinders are numbered from front to rear with the odd-numbered cylinders on the right-hand side. The firing order for this engine is 1-3-2-4.



Top View of Engine

How to Order Parts

To order parts from this parts catalog, contact an Authorized Lycoming Distributor with the part number(s), nomenclature, and quantity along with the model and serial number of your engine. Authorized Lycoming Distributors will have up-to-date part number supersedure, pricing, and availability information on parts listed in this parts catalog.

An Oversize and Undersize Parts List is included in the front section of this catalog to aid in ordering parts as necessary during maintenance or overhaul.

To supply any comments, suggestions, or corrections to this parts catalog, go online to the Lycoming.com website on the internet.

NOTE:

Lycoming recommends that owners of this manual sign up for email notification on the Technical Publications page of our website <https://www.lycoming.com/contact/knowledge-base/publications>. By submitting your email address, you will receive notification whenever Lycoming publishes a new or revised technical publication, including any revisions to this parts catalog.

©2026 by Lycoming. "All Rights Reserved." All Lycoming publications are to be considered copyrighted and may not be reproduced without permission of the company.

This page intentionally left blank.

Abbreviations and Acronyms

| A | |
|----------|------------------------------|
| Adj. | Adjustable |
| amp. | Ampere |
| Assy | Assembly |
| F | |
| F | Flat Tappet |
| Fill. | Fillister |
| H | |
| Hex. | Hexagon |
| I | |
| I.D. | Inside Diameter |
| M | |
| mm | Millimeter |
| N | |
| No. | Number |
| NPT | National Pipe Taper (thread) |
| O | |
| O.D. | Outside Diameter |
| P | |
| P/N | Part Number |
| psi | Pounds per square inch |
| RT | Roller Tappet |

This page intentionally left blank

OVERSIZE AND UNDERSIZE PARTS LISTING

| Part No. | Description | Oversize (in.) | | | | | | | | Undersize (in.) | | |
|-----------|-------------|----------------|-------------|-------------|-------------|-------------|-------------|-------------|-------------|-----------------|-------------|-------------|
| | | P02 .002 | P05 .005 | P10 .010 | P15 .015 | P20 .020 | P30 .030 | P40 .040 | P50 .050 | M03 .003 | M06 .006 | M10 .010 |
| 18D26098 | BEARING | | | | | | | | | X | X | X |
| 18A26093 | BEARING | | | | | | | | | X | X | X |
| 18M23887 | BEARING | | | | | | | | | X | X | X |
| LW-13792 | SEAL | | | | | | | | X | | | |
| 72155-S | BUSHING | | X | X | X | X | | | | | | |
| 75656-S | BUSHING | | X | X | X | X | | | | | | |
| 75657-S | BUSHING | | X | X | X | X | | | | | | |
| STD-1065 | DOWEL | X | X | X | X | | | | | | | |
| 74241 | RING | | | X | | | | | | | | |
| 14H29884 | RING | | | X | | X | | | | | | |
| 72057 | SEAT | | X | X | | X | X | | | | | |
| 72058 | SEAT | | X | X | | X | X | | | | | |
| 76943* | GUIDE | | X | X | | X | X | X | | | | |
| 16R22126* | GUIDE | | X | X | | X | X | X | | | | |
| 66610 | BUSHING | | X | X | | | | | | | | |

* - Reference Figure 12 items no. 4 and 5 for valve guides.

Refer to the latest revision of Service Instruction No. 1256 for the current part numbers for valve guides.

NOTE

When ordering oversize and undersize parts, be sure to specify the required oversize and undersize dimension along with the proper part number. For example, to order bearing P/N 18D26098 in .003 in. undersize, order P/N 18D26098-M03. Undersize code letter is "M" while oversize code letter is "P". These letters are then followed by the number designating the size in thousandths of an inch.

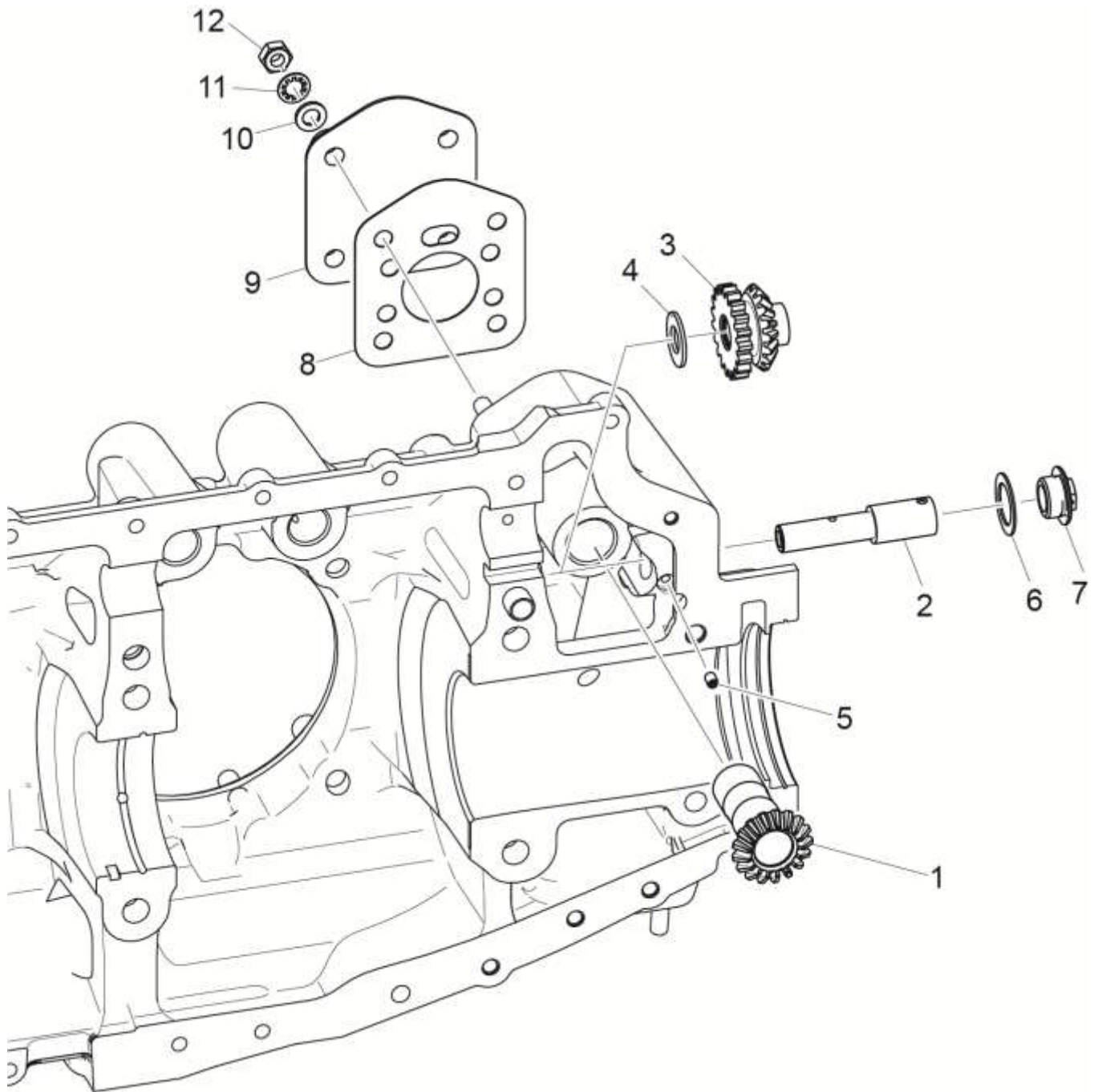


Figure 1
Propeller Governor Drive Assembly

FRONT SECTION

FIGURE 1 - PROPELLER GOVERNOR DRIVE ASSEMBLY

| Figure Item | Code | Part Number | Description | Units per Assembly |
|-----------------------|------|--------------|--|--------------------|
| 1 | | 77875 | GEAR, Propeller governor driven | 1 |
| 2 | | LW-14021 | SHAFT, Propeller governor idler gear | 1 |
| 3 | | 77874 | GEAR ASSEMBLY, Propeller governor idler | 1 |
| 4 | AR | 73249 | WASHER, Thrust (0.0585 - 0.0595 thick) | AR |
| | AR | 73250 | WASHER, Thrust (0.062 - 0.063 thick) | AR |
| | AR | 73251 | WASHER, Thrust (0.0655 - 0.0665 thick) | AR |
| | AR | 73252 | WASHER, Thrust (0.069 - 0.070 thick) | AR |
| | AR | 01L21418 | WASHER, Thrust (0.055 - 0.056 thick) | AR |
| 5 | | AN565B1032H5 | SET SCREW, No. 10-32 x 5/16 long | 1 |
| 6 | | 70455 | GASKET, 25/32 I.D. x 1-1/8 O.D. x 1/16 thick | 1 |
| 7 | | LW-13896 | PLUG, 3/4-16 hex. head | 1 |
| 8 | | 72053 | GASKET, Propeller | 1 |
| 9 | | 72378 | COVER, Governor drive | 1 |
| 10 | | STD-35 | WASHER, 5/16 plain | 4 |
| 11 | | STD-475 | WASHER, 5/16 lock, internal teeth | 4 |
| 12 | | STD-1410 | NUT, 5/16-18 plain | 4 |
| AR as required | | | | |

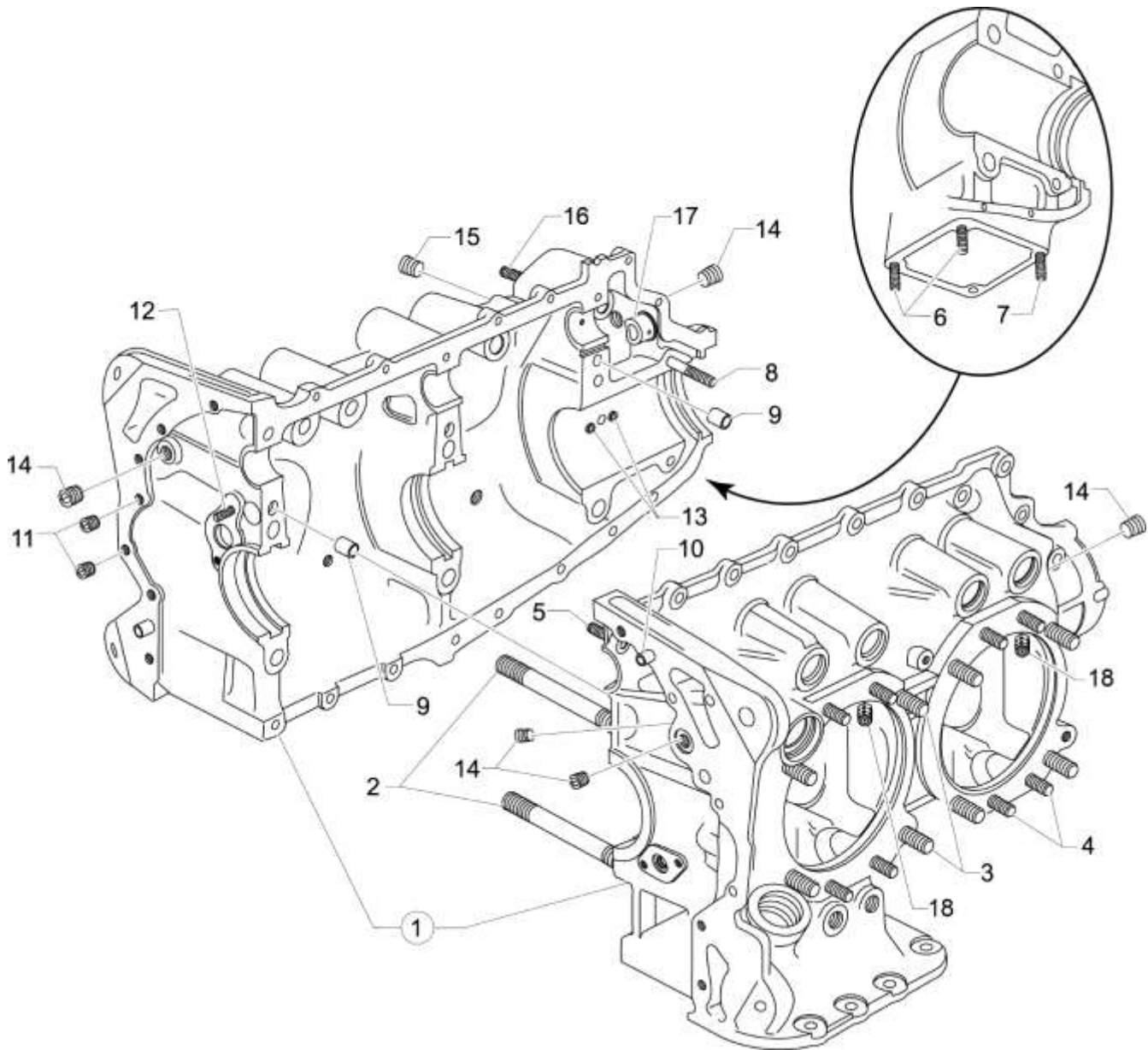


Figure 2
Crankcase Assembly

POWER SECTION
FIGURE 2 – CRANKCASE ASSEMBLY

| Figure Item | Code | Part Number | Description | Units per Assembly |
|--|------|--------------|---|--------------------|
| 1 | * | 11B19524-5 | CRANKCASE ASSEMBLY, Roller Lifter | 1 |
| | | 11B20161-3SL | C'CASE ASSY, Roller Lifter (Fixed Pitch Prop) | 1 |
| 2 | | 75154 | STUD, 1/2-13 x 10-1/32 long | 2 |
| 3 | | 50-15 | STUD, 1/2-13 x 1-7/8 long | 8 |
| 4 | | 38-13 | STUD, 3/8-16 x 1-5/8 long | 16 |
| 5 | | 38D-17 | STUD, 3/8-16 x 2-1/8 long, drilled | 1 |
| 6 | | 31C-12 | STUD, 5/16-18 x 1-1/2 long | 2 |
| 7 | | 31C-13 | STUD, 5/16-18 x 1-5/8 long | 1 |
| 8 | | 38-22 | STUD, 3/8-16 x 2-3/4 long | 1 |
| 9 | | STD-557 | DOWEL, 1/2 dia. x 11/16 long, hollow | 2 |
| 10 | | STD-514 | DOWEL, 5/16 dia. x 1/2 long | 2 |
| 11 | | STD-1623 | INSERT, 1/4-20 Heli-coil x 3/8 long | 2 |
| 12 | | LW-13793 | STUD, 5/16-18 x 15/16 long, drilled | 1 |
| 13 | | 69796 | DOWEL, Crankshaft bearing | 2 |
| 14 | | 1102 | PLUG, 1/8-27 NPT, allen head | 5 |
| 15 | | STD-1339 | PLUG, 1/16-27 NPT, allen head | 5 |
| 16 | | 31C-17 | STUD, 5/16-18 x 2-1/8 long | 4 |
| 17 | | 72158 | BUSHING, Governor drive idler shaft | 1 |
| 18 | | 73772 | NOZZLE ASSEMBLY, Piston cooling | 4 |
| * Refer to Service Kits Section for applicable Crankcase Assembly and Governor Thru-Stud Kit Part Numbers. | | | | |

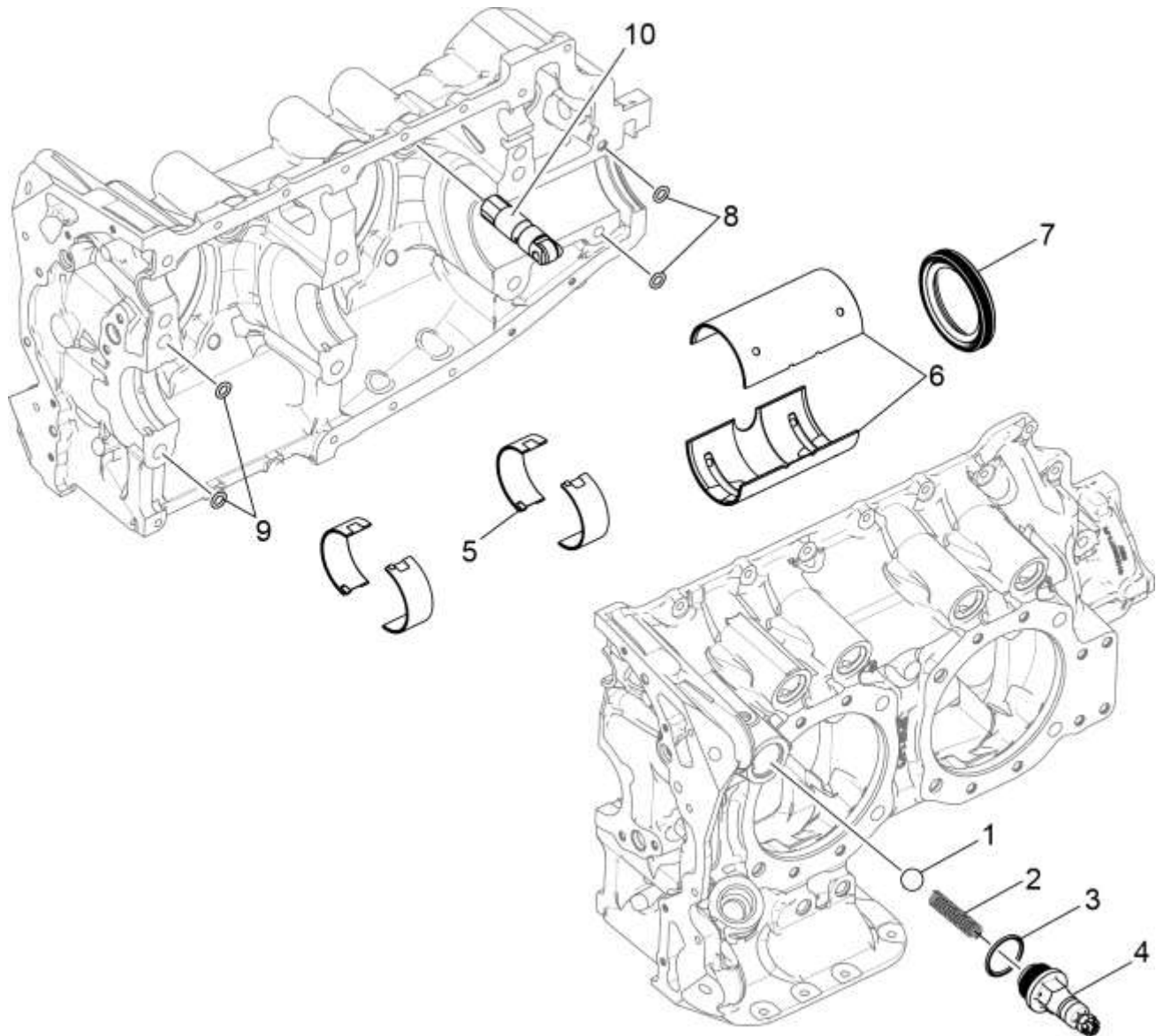


Figure 3
Crankcase Related Parts

POWER SECTION

FIGURE 3 - CRANKCASE RELATED PARTS

| Figure Item | Code | Part Number | Description | Units per Assembly |
|-------------|------|---------------|---|--------------------|
| 1 | | 1028-B | BALL, 11/16 diameter | 1 |
| 2 | ❖ | 61084 | SPRING, Oil pressure relief valve | AR |
| | ❖ | 68668 | SPRING, Oil pressure relief valve | AR |
| | ❖ | 77467 | SPRING, Oil pressure relief valve | AR |
| | ❖ | LW-11713 | SPRING, Oil pressure relief valve | AR |
| | ❖ | LW-18085 | SPRING, Oil pressure relief valve | AR |
| 3 | | 06E19769-1.25 | GASKET, Annular, 1-1/4 I.D. | 1 |
| 4 | | 77808 | VALVE ASSEMBLY, Oil pressure relief valve, adjustable | 1 |
| 5 | | 18D26098 | BEARING, Crankshaft | 4 |
| 6 | | 18A26093 | BEARING, Crankshaft | 2 |
| 7 | ▲ | LW-13792 | SEAL, Crankshaft oil | 1 |
| 8 | | 72075 | SEAL, Oil, 3/32 section x 7/16 I.D. | 2 |
| 9 | | 72091 | RING, Oil seal, 0.36 ID x 0.10 diameter | 2 |
| 10 | | LRT23381 | BODY ASSEMBLY, Hydraulic roller tappet | 8 |

AR - as required

❖ Select spring to give a minimum of three threads exposed on adjusting screw to allow field adjustment. Reference latest revision of Lycoming Table of Limits SSP-1776, Part I for spring identification.

▲ Refer to latest revision of Lycoming Service Instruction No. 1324 for installation.

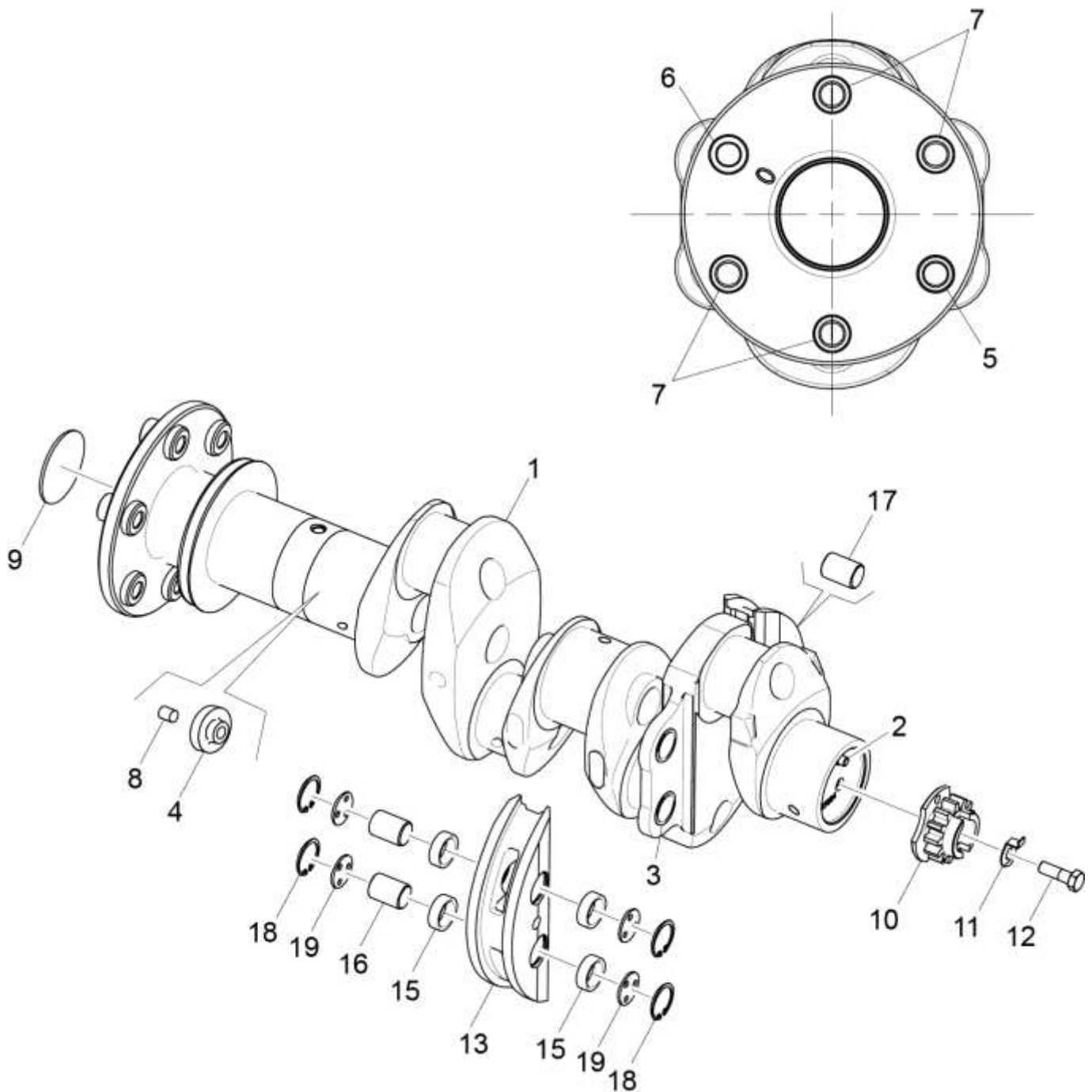


Figure 4
Crankshaft Assembly and Related Parts

POWER SECTION

FIGURE 4 - CRANKSHAFT ASSEMBLY AND RELATED PARTS

| Figure Item | Code | Part Number | Description | Units per Assembly |
|-------------|------------|-------------|---|--------------------|
| 1 | | 13B47219 | CRANKSHAFT ASSEMBLY | 1 |
| | | 13B47121 | CRANKSHAFT ASSEMBLY (Fixed Pitch Propeller) | 1 |
| 2 | | STD-1065 | DOWEL, Stepped, 5/16 & 1/4 diameter | 1 |
| 3 | | 73810 | BUSHING, Crankshaft, Counterweight | 4 |
| 4 | | 74711 | PLUG, 1.25 | 1 |
| 5 | | 72155-S | BUSHING, Propeller flange, short | 1 |
| 6 | | 75657-S | BUSHING, Propeller flange, indexing | 1 |
| 7 | | 75656-S | BUSHING, Propeller flange, long | 4 |
| 8 | | 1102 | PLUG, .125 Pipe | 1 |
| 9 | | STD-1211 | PLUG, 2.00 diameter expansion | 1 |
| 10 | SB* | 13S19646 | GEAR, Crankshaft | 1 |
| 11 | | LW-18639 | LOCKPLATE, Crankshaft gear | 1 |
| 12 | | STD-2246 | BOLT, 5/16-24 x 1.00 long | 1 |
| 13 | | LW-19227 | COUNTERWEIGHT ASSEMBLY | 2 |
| 14 | | LW-19221 | COUNTERWEIGHT, Dynamic | 1 |
| 15 | | 71903-A | BUSHING, Dynamic Counterweight | 4 |
| 16 | | 14W21696 | ROLLER, Dynamic Counterweight-8 | 2 |
| 17 | | 72797 | ROLLER, Dynamic Counterweight-6.3 Order | 2 |
| 18 | | LW-14820 | RING, Internal Retaining | 8 |
| 19 | | 71907 | WASHER, Counterweight | 8 |

SB Referencing Service Bulletin

* Refer to the latest revision of Lycoming Service Bulletin No. 475 for proper installation.

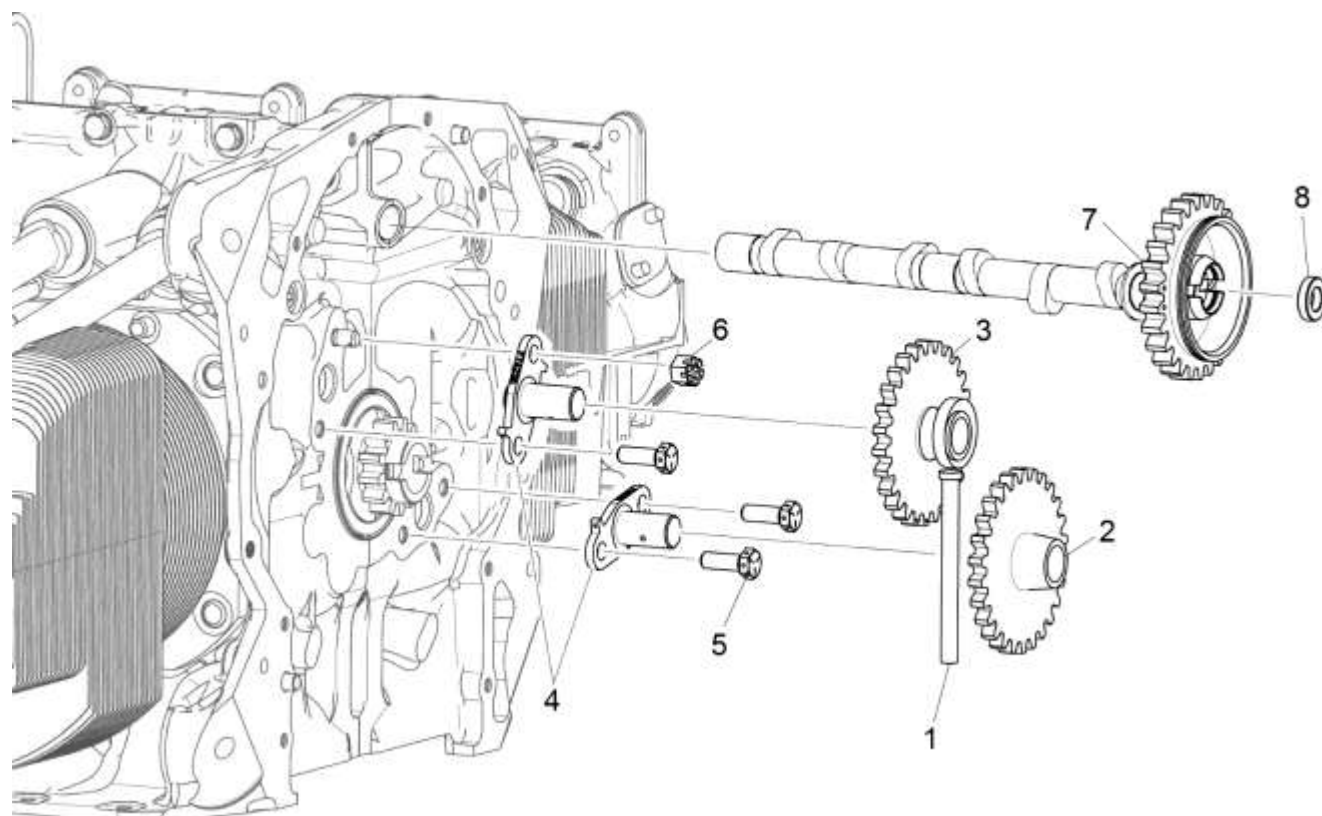


Figure 5
Crankshaft Idler Gears, Tachometer Drive and Camshaft

POWER SECTION

FIGURE 5 - CRANKSHAFT IDLER GEARS, TACHOMETER DRIVE AND CAMSHAFT

| Figure Item | Code | Part Number | Description | Units per Assembly |
|-------------|------|-------------|---|--------------------|
| 1 | | 23D26777 | PLUNGER, Fuel pump, long | 1 |
| 2 | | 74996 | GEAR ASSEMBLY, Crankshaft idler, plain | 1 |
| 3 | | 75072 | GEAR ASSEMBLY, Crankshaft idler | 1 |
| 4 | | LW-13796 | SHAFT, Crankshaft idler gear | 2 |
| 5 | | LW-31H0.88 | BOLT, 5/16-18 x 7/8 long, hex. head, drilled | 3 |
| 6 | | STD-2168 | NUT, 5/16-18 NC-3 slotted shear | 1 |
| 7 | | 15M23456 | CAMSHAFT ASSEMBLY, Roller lifter | 1 |
| | | 15M23452 | CAM ASSY, Roller lifter (Fixed Pitch Propeller) | 1 |
| 8 | | 76118 | SPACER, Tachometer shaft centering | 1 |

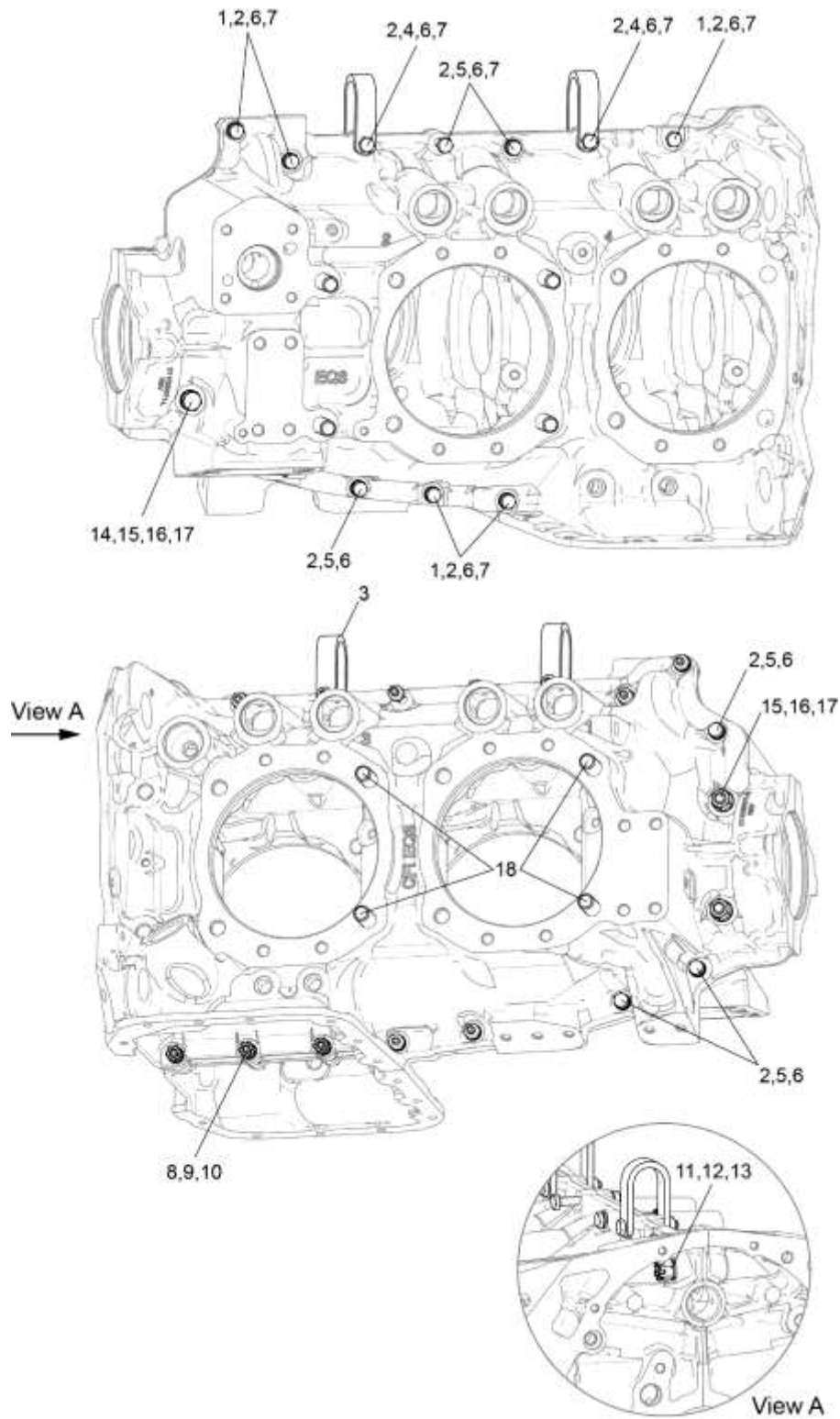


Figure 6A
Crankcase Attaching Parts

POWER SECTION
FIGURE 6A - CRANKCASE ATTACHING PARTS

| Figure Item | Code | Part Number | Description | Units per Assembly |
|-----------------------|------|---------------|---|--------------------|
| 1 | | LW-25-1.50 | BOLT, 1/4-20 x 1-1/2 long, hex. head | 5 |
| 2 | | STD-8 | WASHER, 1/4 plain | 17 |
| 3 | | 60803 | STRAP, Lifting | 2 |
| 4 | | LW-25-1.75 | BOLT, 1/4-20 x 1-3/4 long, hex. head | 2 |
| 5 | | LW-25-1.13 | BOLT, 1/4-20 x 1-1/8 long, hex. head | 4 |
| 6 | | STD-160 | WASHER, 1/4 lock, internal teeth | 13 |
| 7 | | STD-1411 | NUT, 1/4-20 plain | 9 |
| 8 | | LW-25S1.50 | BOLT, 1/4-20 x 1-1/2 long, hex. head, drilled | 3 |
| 9 | | STD-8 | WASHER, 1/4 plain | AR |
| 10 | | STD-2249 | NUT, 1/4-20 slotted | 3 |
| 11 | | STD-33 | WASHER, 3/8 plain | 2 |
| 12 | | NAS1149F0632P | WASHER, 3/8 plain (thin) | 3 |
| 13 | | STD-872 | NUT, 3/8-24 slotted | 1 |
| 14 | | AN6-34A | BOLT, 3/8-24 x 3-37/64 long, hex. head | 1 |
| 15 | | STD-33 | WASHER, 3/8 plain | 3 |
| 16 | | STD-678 | WASHER, 3/8 lock, internal teeth | 2 |
| 17 | | STD-596 | NUT, 3/8-24 plain | 2 |
| 18 | | 76220 | STUD, 1/2-20 x 10-45/64 long | 4 |
| AR as required | | | | |

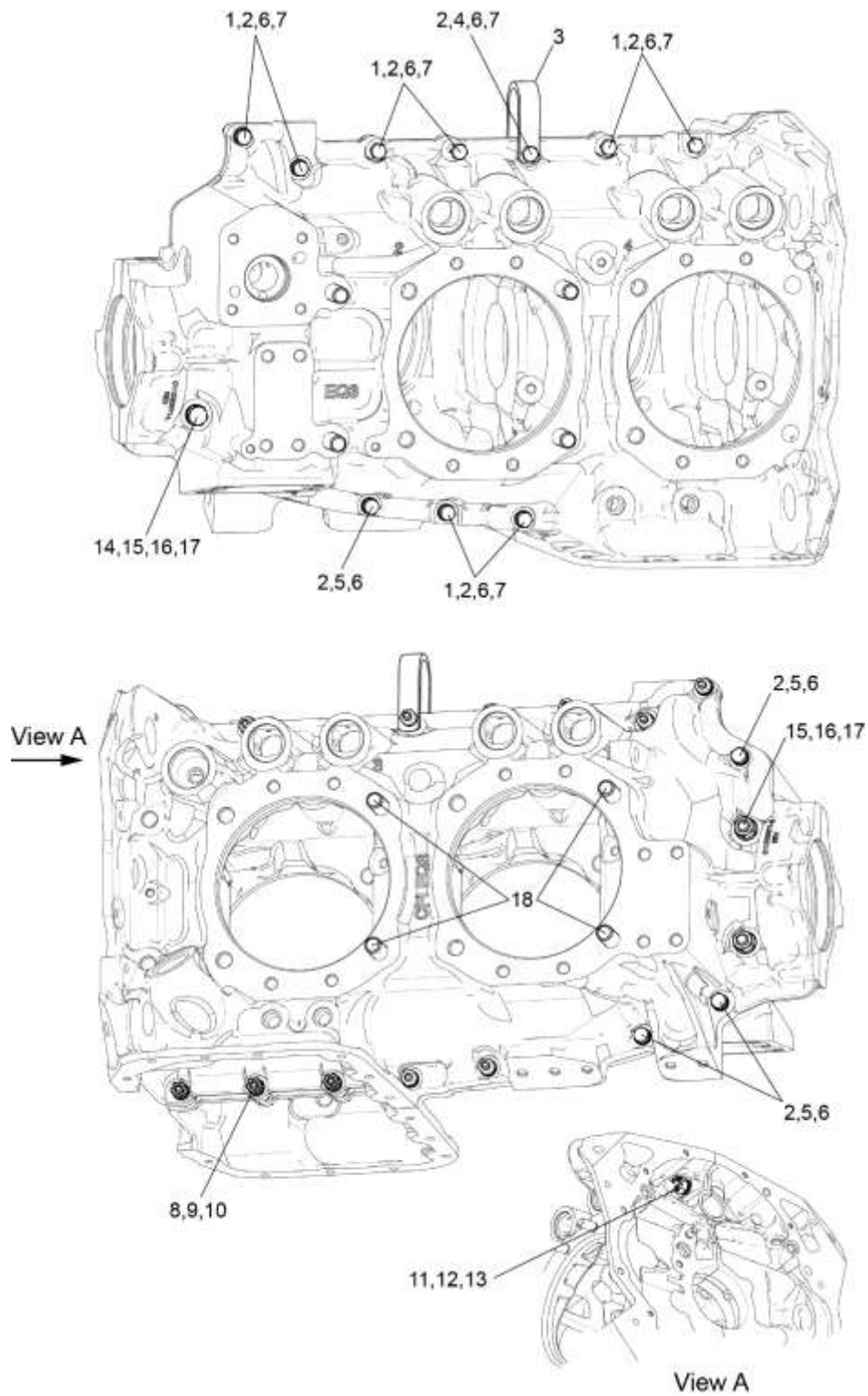


Figure 6B
Crankcase Attaching Parts (Fixed Pitch Propeller)

POWER SECTION

FIGURE 6B - CRANKCASE ATTACHING PARTS (FIXED PITCH PROPELLER)

| Figure Item | Code | Part Number | Description | Units per Assembly |
|-----------------------|------|---------------|---|--------------------|
| 1 | | LW-25-1.50 | BOLT, 1/4-20 x 1-1/2 long, hex. head | 8 |
| 2 | | STD-8 | WASHER, 1/4 plain | 19 |
| 3 | | 60803 | STRAP, Lifting | 1 |
| 4 | | LW-25-1.75 | BOLT, 1/4-20 x 1-3/4 long, hex. head | 1 |
| 5 | | LW-25-1.13 | BOLT, 1/4-20 x 1-1/8 long, hex. head | 3 |
| 6 | | STD-160 | WASHER, 1/4 lock, internal teeth | 12 |
| 7 | | STD-1411 | NUT, 1/4-20 plain | 9 |
| 8 | | LW-25S1.50 | BOLT, 1/4-20 x 1-1/2 long, hex. head, drilled | 3 |
| 9 | | STD-8 | WASHER, 1/4 plain | AR |
| 10 | | STD-2249 | NUT, 1/4-20 slotted | 3 |
| 11 | | STD-33 | WASHER, 3/8 plain | 3 |
| 12 | | NAS1149F0632P | WASHER, 3/8 plain (thin) | 1 |
| 13 | | STD-872 | NUT, 3/8-24 slotted | 1 |
| 14 | | AN6-34A | BOLT, 3/8-24 x 3-37/64 long, hex. head | 2 |
| 15 | | STD-33 | WASHER, 3/8 plain | 4 |
| 16 | | STD-678 | WASHER, 3/8 lock, internal teeth | 2 |
| 17 | | STD-596 | NUT, 3/8-24 plain | 2 |
| 18 | | 76220 | STUD, 1/2-20 x 10-45/64 long | 4 |
| AR as required | | | | |

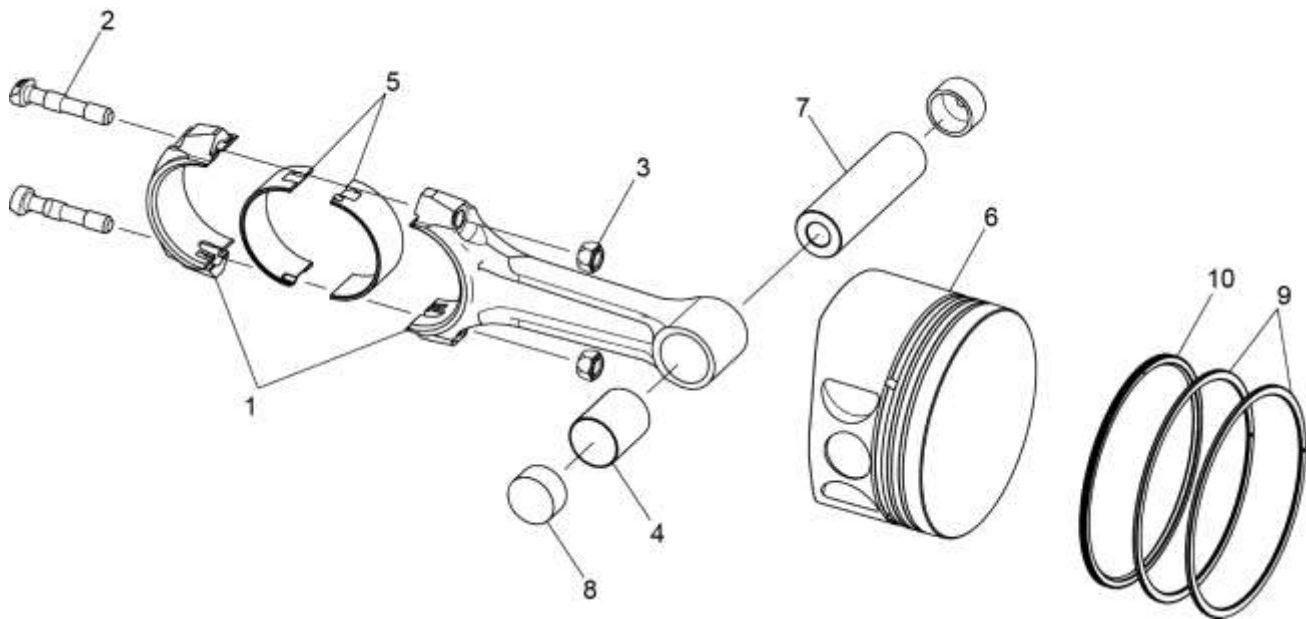


Figure 7
Connecting Rods, Pistons and Ring Assemblies

CYLINDER SECTION

FIGURE 7 - CONNECTING RODS, PISTONS AND RING ASSEMBLIES

| Figure Item | Code | Part Number | Description | Units per Assembly |
|---|----------|-------------|--|--------------------|
| 1 | | 77450 | CONNECTING ROD ASSEMBLY | 4 |
| | | LW-11750 | CONNECTING ROD ASSY (Fixed Pitch Prop) | 4 |
| 2 | * | 75061 | BOLT, Connecting rod | 8 |
| | P | 14S23890 | BOLT, Connecting rod | 8 |
| 3 | | LW-12186 | NUT, Connecting rod bolt | 8 |
| 4 | | 01K28983 | BUSHING, Connecting rod, upper | 4 |
| 5 | | 18M23887 | BEARING, Connecting rod | 8 |
| | | 18M26105 | BEARING, Connecting rod (Fixed Pitch Prop) | 8 |
| 6 | | 14D23914 | PISTON, Compression ratio, 9.00:1 | 4 |
| 7 | | LW-14078 | PIN, Piston | 4 |
| 8 | | 72198 | PLUG, Piston pin | 8 |
| 9 | | 74241 | RING, Piston, compression, 5.125 bore | 8 |
| 10 | | 14H29884 | RING ASSEMBLY, Piston, oil regulating, expander type | 4 |
| <p>P Lycoming proprietary part. Listed for reference purposes only, cannot be purchased. * Service use only.</p> | | | | |

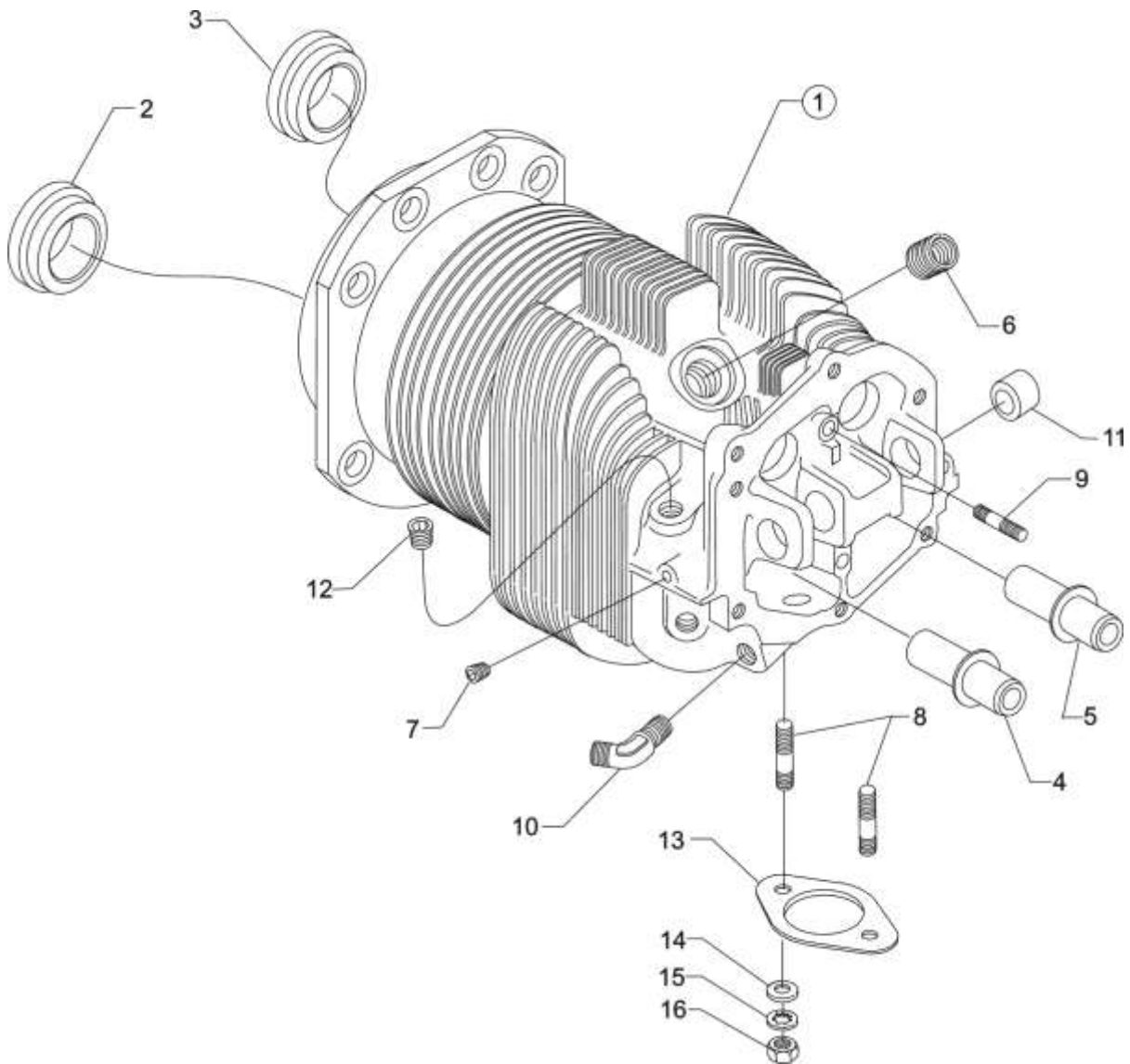


Figure 8
Cylinder Assembly

CYLINDER SECTION
FIGURE 8 - CYLINDER ASSEMBLY

| Figure Item | Code | Part Number | Description | Units per Assembly |
|--|------|-------------|-----------------------------------|--------------------|
| 1 | | 16A30080-03 | CYLINDER & HEAD ASSEMBLY | 4 |
| 2 | | 72057 | SEAT, Intake valve | 4 |
| 3 | | 72058 | SEAT, Exhaust valve | 4 |
| 4 | | 76943 | GUIDE, Valve, intake | 4 |
| 5 | | 16R22126 | GUIDE, Valve, exhaust | 4 |
| 6 | | 66796 | INSERT, Spark plug, 18 x 1.5 MM | 8 |
| 7 | | STD-1353 | INSERT, No. 10-24 UNC x 3/8 long | 4 |
| 8 | | 31C-12 | STUD, 5/16-18 x 1-1/2 long | 8 |
| 9 | | 25C-8 | STUD, 1/4-20 x 1.00 long | 4 |
| 10 | | MS20823-6D | ELBOW, 45 degree, 3/8 flared tube | 4 |
| 11 | | 66610 | BUSHING, Rocker shaft | 16 |
| 12 | * | 1102 | PLUG, 1/8-27 NPT, Allen head | 4 |
| 13 | | 77611 | GASKET, Exhaust flange | 4 |
| 14 | | STD-35 | WASHER, 5/16 plain | 8 |
| 15 | | STD-475 | WASHER, 5/16 lock, internal teeth | 8 |
| 16 | | STD-1410 | NUT, 5/16-18 plain | 8 |
| * Used on installations without priming lines. | | | | |

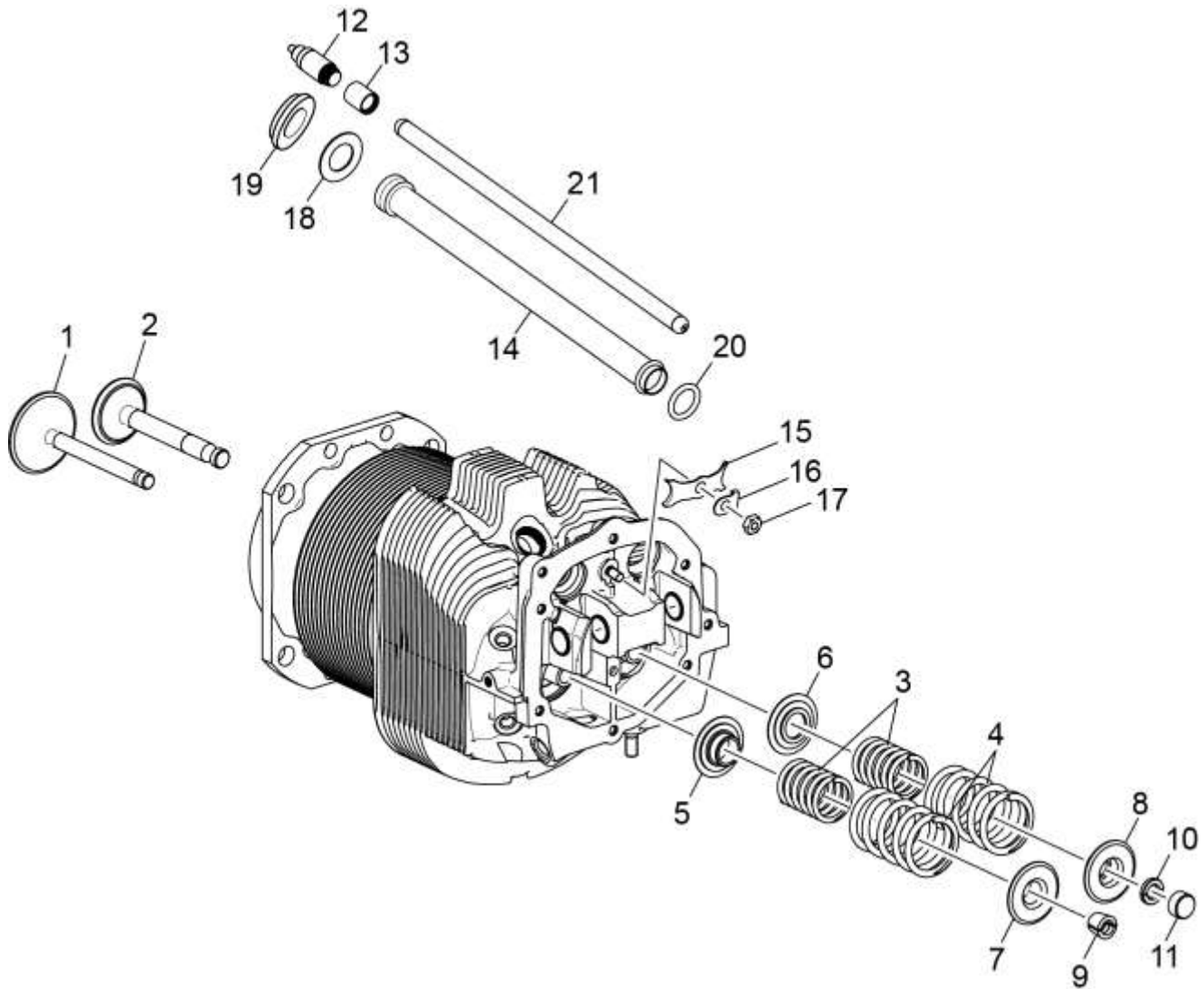


Figure 9
Valve Assembly and Related Parts

CYLINDER SECTION

FIGURE 9 - VALVE ASSEMBLY AND RELATED PARTS

| Figure Item | Code | Part Number | Description | Units per Assembly |
|---|------|-------------|---|--------------------|
| 1 | | 17A23938 | VALVE, Intake | 4 |
| 2 | | 17B23936 | VALVE, Exhaust (rotator type) | 4 |
| 3 | | 17D29055 | SPRING, Valve, auxiliary | 8 |
| 4 | | 17D29060 | SPRING, Valve, outer | 8 |
| 5 | | 65441 | SEAT, Valve spring, lower intake | 4 |
| 6 | | LW-13323 | SEAT, Valve spring, lower exhaust | 4 |
| 7 | | LW-10077 | SEAT, Valve spring, upper intake | 4 |
| 8 | | LW-16475 | SEAT, Valve spring, upper, exhaust (rotator type) | 4 |
| 9 | | 60009 | KEY, Valve | 8 |
| 10 | | 17C21191 | KEY, Valve, exhaust | 8 |
| 11 | | 17C19386 | CAP, Valve stem, exhaust (rotator type) | 4 |
| 12 | | 15B26066 | PLUNGER ASSEMBLY, Hydraulic lifter | 8 |
| 13 | | 15B21319 | SOCKET, Hydraulic tappet | 8 |
| 14 | | 15G23461 | SHROUD TUBE ASSEMBLY, Push rod | 8 |
| 15 | | LW-14995 | SPRING, Shroud tube | 4 |
| 16 | | LW-12272 | LOCKPLATE, Shroud tube | 4 |
| 17 | | STD-1411 | NUT, 1/4-20 plain | 4 |
| 18 | | 01L23459 | WASHER, 25/32 I.D. x 1-3/8 O.D. x 1/32 thick | 8 |
| 19 | | 06A23493 | SEAL, Shroud tube | 8 |
| 20 | | 70310 | SEAL, Shroud tube | 8 |
| 21 | ❖ | 15F28835-28 | ROD ASSEMBLY, Push | AR |
| | ❖ | 15F28835-29 | ROD ASSEMBLY, Push | AR |
| | ❖ | 15F28835-30 | ROD ASSEMBLY, Push | AR |
| | ❖ | 15F28835-31 | ROD ASSEMBLY, Push | AR |
| | ❖ | 15F28835-32 | ROD ASSEMBLY, Push | AR |
| | ❖ | 15F28835-33 | ROD ASSEMBLY, Push | AR |
| | ❖ | 15F28835-34 | ROD ASSEMBLY, Push | AR |
| AR - as required ❖ See latest revision of Service Instruction No. 1060 for complete push rod application. | | | | |

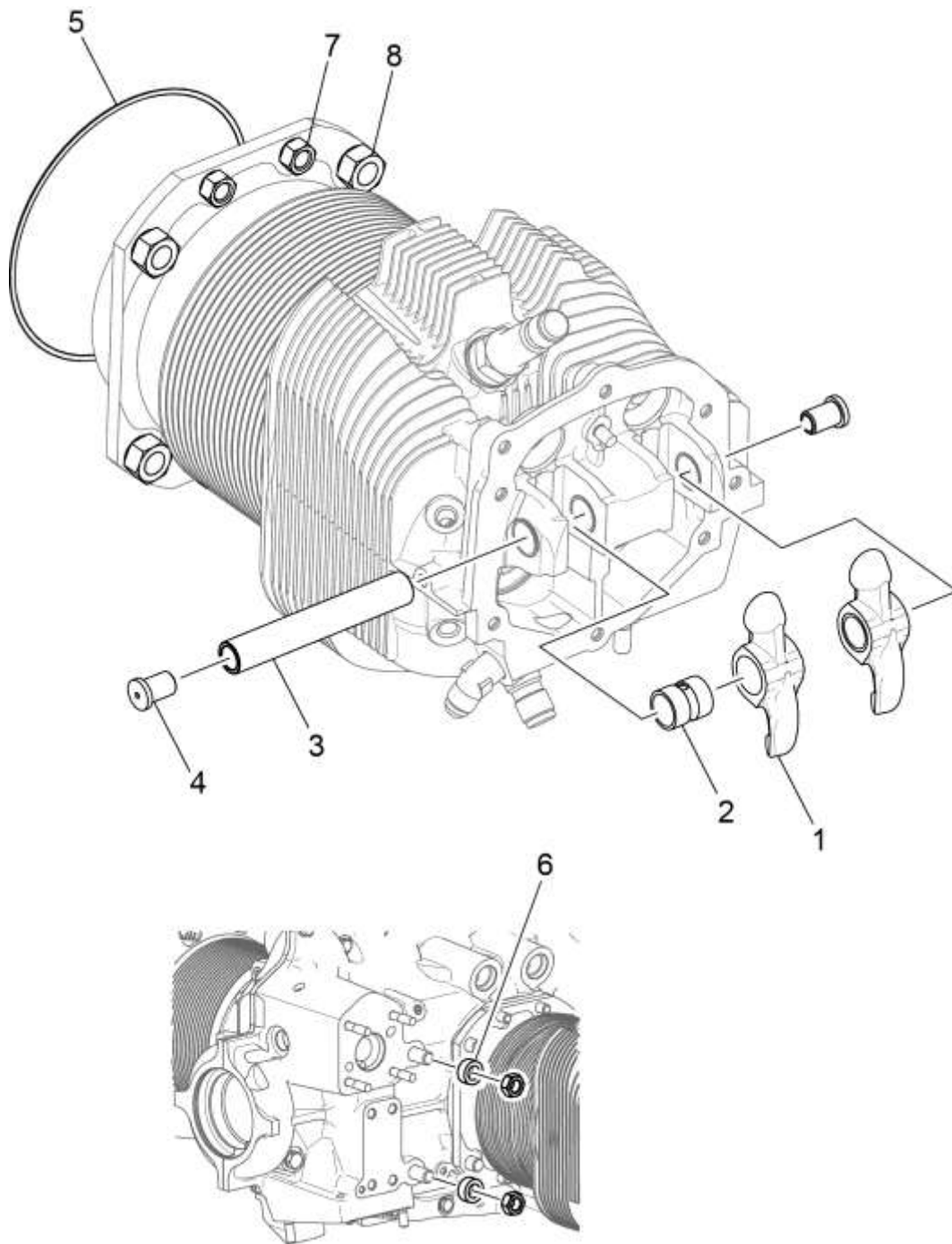


Figure 10
Cylinder Related Parts

CYLINDER SECTION
FIGURE 10 - CYLINDER RELATED PARTS

| Figure Item | Code | Part Number | Description | Units per Assembly |
|---|------|-------------|--|--------------------|
| 1 | ❖ | 17F19357 | ROCKER ASSEMBLY, Valve | 8 |
| 2 | | 74637 | BUSHING, Valve rocker | 1 |
| 3 | | LW-13790 | SHAFT, Valve rocker | 4 |
| 4 | | LW-12892 | THRUST BUTTON, Rocker shaft | 8 |
| 5 | | 71481 | RING, Oil seal, 4-27/32 ID x 3/32 diameter section | 4 |
| 6 | | 74887 | SPACER, 33/64 I.D. x 7/8 O.D. x 3/8 thick | 2 |
| 7 | | 383-B | NUT, 3/8-24 plain | 16 |
| 8 | | STD-2090 | NUT, 1/2-20 plain | 18 |
| ❖ Due to the size of the area where the part number is stamped, the last five digits (19357) could be all that is shown of the part number. | | | | |

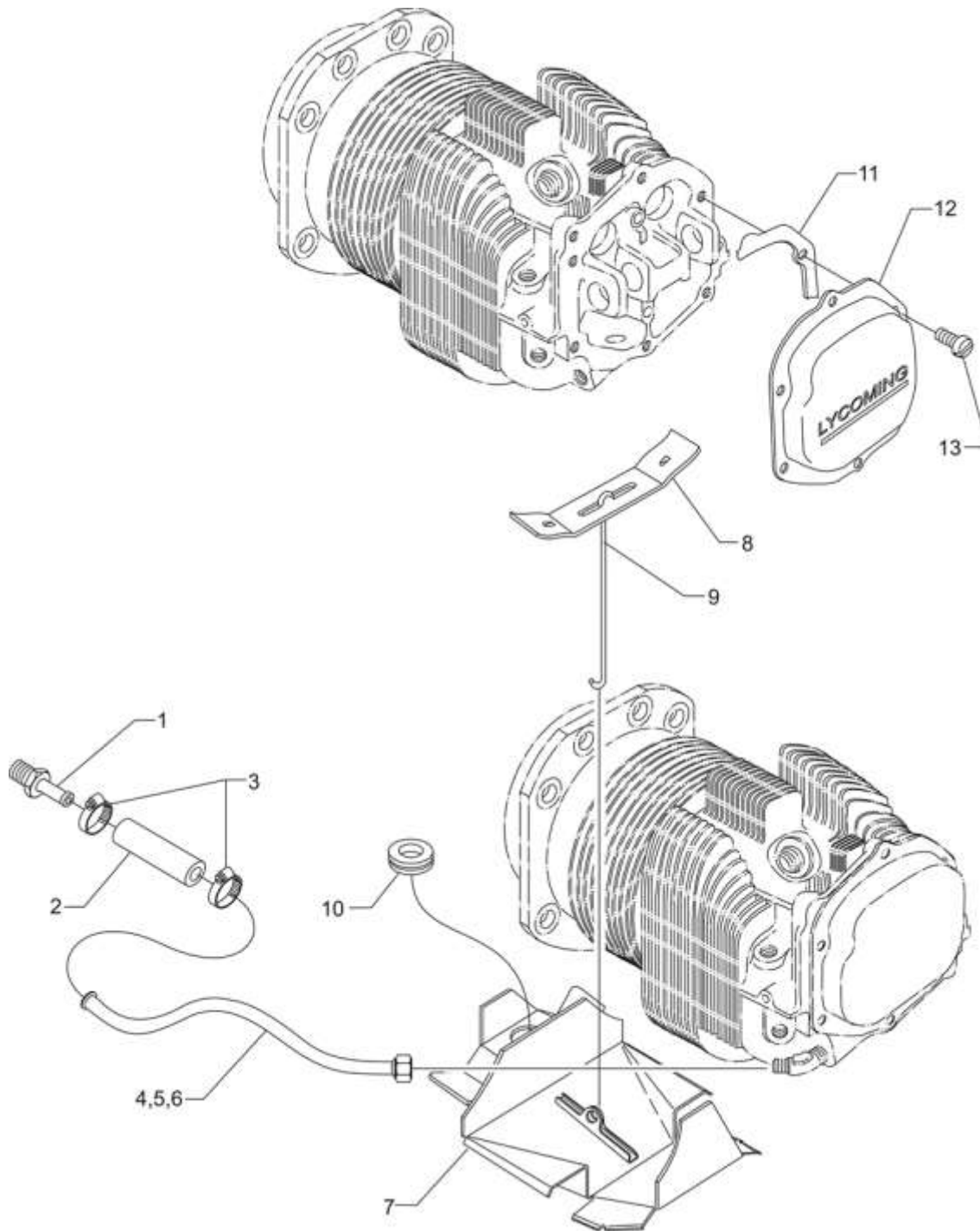


Figure 11
Cylinder Head Drain Tubes, Intercylinder Cooling Baffles, and Rocker Box Covers

CYLINDER SECTION

**FIGURE 11 - CYLINDER HEAD DRAIN TUBES, INTERCYLINDER COOLING BAFFLES,
AND ROCKER BOX COVERS**

| Figure Item | Code | Part Number | Description | Units per Assembly |
|---|------|---------------|--|--------------------|
| 1 | | STD-684 | NIPPLE, Straight, 3/8 I.D. hose | 4 |
| 2 | | STD-1821 | HOSE, 3/8 x 2-1/2 long | 4 |
| 3 | | LW-15592-5-04 | CLAMP, Hose, 7/16 O.D. | 8 |
| 4 | | 68759 | TUBE ASSEMBLY, Cylinder head oil drain, cyl. No. 1 | 1 |
| 5 | | 68760 | TUBE ASSEMBLY, Cylinder head oil drain, cyl. No. 2 | 1 |
| 6 | | 68761 | TUBE ASSEMBLY, Cylinder head oil drain, cyl. No. 3 & 4 | 2 |
| 7 | ❖ | LW-15839 | BAFFLE ASSEMBLY, Intercylinder | 1 |
| | ▲ | LW-16838 | BAFFLE ASSEMBLY, Intercylinder | 1 |
| 8 | | 71611 | RETAINER, Intercylinder baffle | 2 |
| 9 | | 71629 | HOOK, Intercylinder baffle retainer | 2 |
| 10 | ▲ | MS35489-20X | GROMMET (on baffle) | 1 |
| 11 | | 06B26669 | GASKET, Rocker box cover | 4 |
| 12 | | 17J28868 | COVER, Rocker box | 4 |
| 13 | | STD-1925 | SCREW, 1/4-20 x 5/8 long, pan head, self-locking | 24 |
| ❖ Install on left side cylinders No. 2 and 4 | | | | |
| ▲ Install on right side between cylinders No. 1 and 3 | | | | |

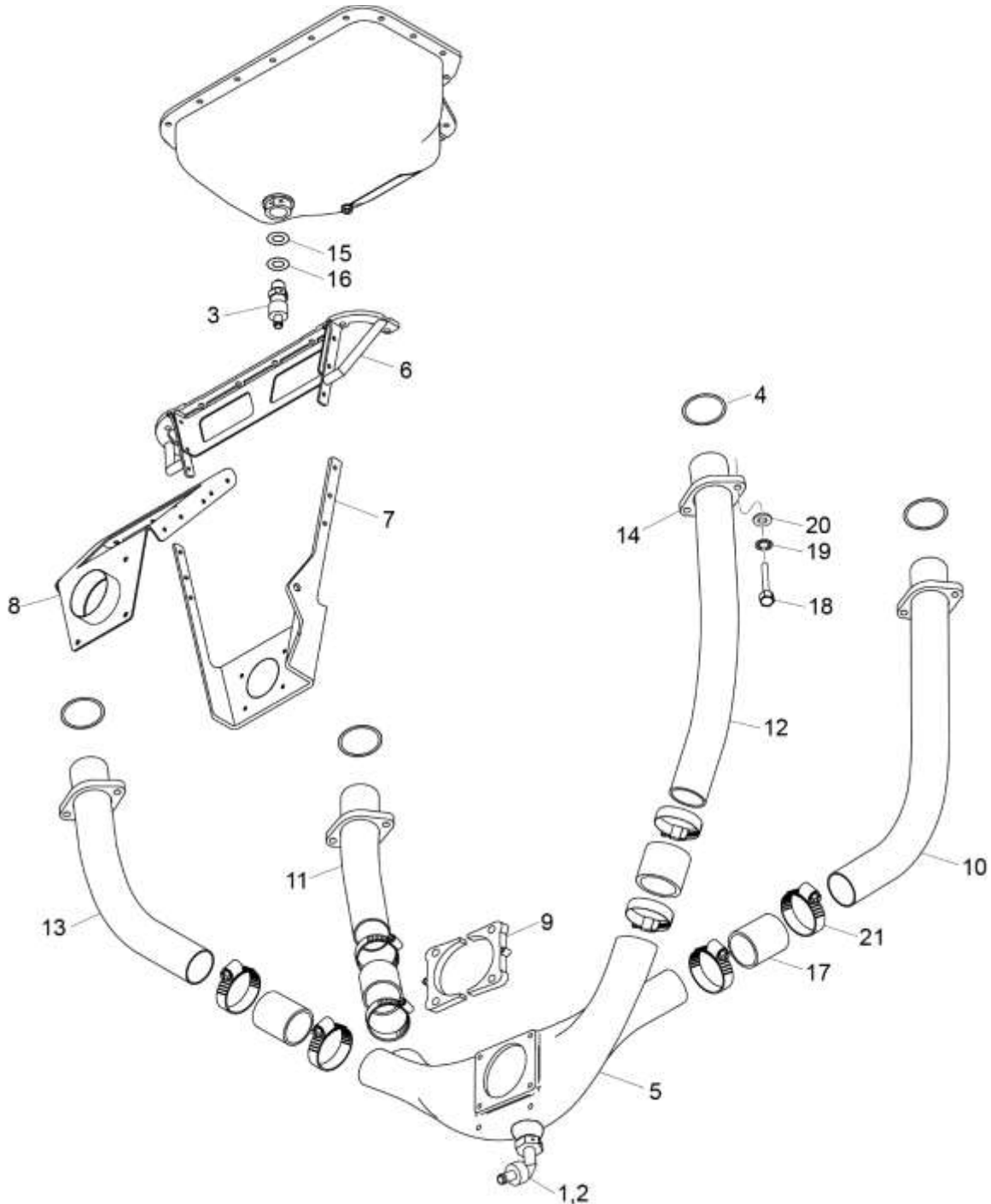


Figure 12
Intake Pipes and Attaching Parts

CYLINDER SECTION

FIGURE 12 – INTAKE PIPES AND ATTACHING PARTS

| Figure Item | Code | Part Number | Description | Units per Assembly |
|-------------|------|---------------|---|--------------------|
| 1 | | 75444 | ADAPTER ASSEMBLY, Fuel drain valve | 1 |
| 2 | | AN915-1D | ELBOW, 1/8 npt, internal & external, 45 degree | 1 |
| 3 | * | SP56204-001 | FITTING, tank, bulkhead | 1 |
| 4 | * | SP50208-001 | O-RING, silicone | 4 |
| 5 | * | SK50380-001 | MANIFOLD ASSEMBLY, intake | 1 |
| 6 | * | SK50375-001 | SUPPORT, hanger weldment, servo | 1 |
| 7 | * | SK50371-001 | BRACKET, servo mount, aft | 1 |
| 8 | * | SK50369-001 | SUPPORT, hanger weldment, intake | 1 |
| 9 | * | SK50363-001 | MOUNTING LUG, throttle body | 2 |
| 10 | * | SK50362-004 | PIPE, induction tube, cyl no. 4 | 1 |
| 11 | * | SK50362-003 | PIPE, induction tube, cyl no. 3 | 1 |
| 12 | * | SK50362-002 | PIPE, induction tube, cyl no. 2 | 1 |
| 13 | * | SK50362-001 | PIPE, induction tube, cyl no. 1 | 1 |
| 14 | * | SC50362-001 | FLANGE, intake tube | 4 |
| 15 | | NAS1149F0963P | WASHER, flat 37/64 ID x 1 1/16 OD x 1/16 thick | 1 |
| 16 | | MS35333-46 | WASHER, lock, flat 5/8 ID x 1 1/32 OD x 3/64 thick | 1 |
| 17 | | STD-1792 | HOSE, 1 3/4 ID X 2 3/8 long | 4 |
| 18 | | LW-25-1.00 | BOLT, 1/4-20 x 1.00 long, hex. head | 8 |
| 19 | | STD-160 | WASHER, 1/4 lock, internal teeth | 8 |
| 20 | | STD-8 | WASHER, 1/4 plain | 8 |
| 21 | | O7C29123-CT-Y | CLAMP, Hose, Dia. 1 11/16 to 2 1/4, Worm Drive Type | 8 |

* Cub Crafters part number. Must be purchased from Cub Crafters.

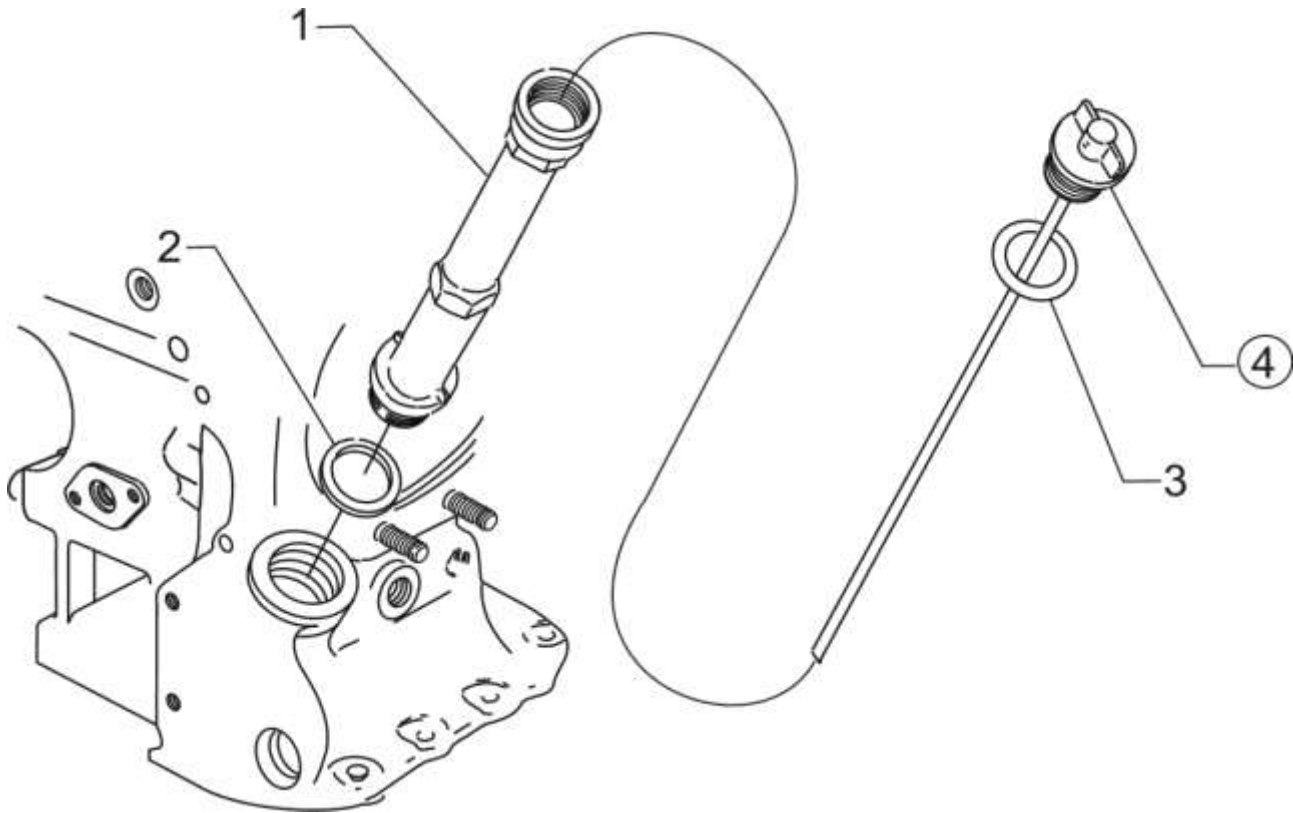


Figure 13
Oil Level Gage

LUBRICATION SYSTEM
FIGURE 13 – OIL LEVEL GAGE

| Figure Item | Code | Part Number | Description | Units per Assembly |
|--------------------|-------------|--------------------|--------------------------------------|---------------------------|
| 1 | | 75767 | TUBE, Oil level gage, (10 9/16 long) | 1 |
| 2 | | 72059 | GASKET, Oil level gage | 1 |
| 3 | | 74065 | RING, Oil level gage seal | 1 |
| 4 | | 56C23674-Y | GAGE ASSEMBLY, Oil level | 1 |

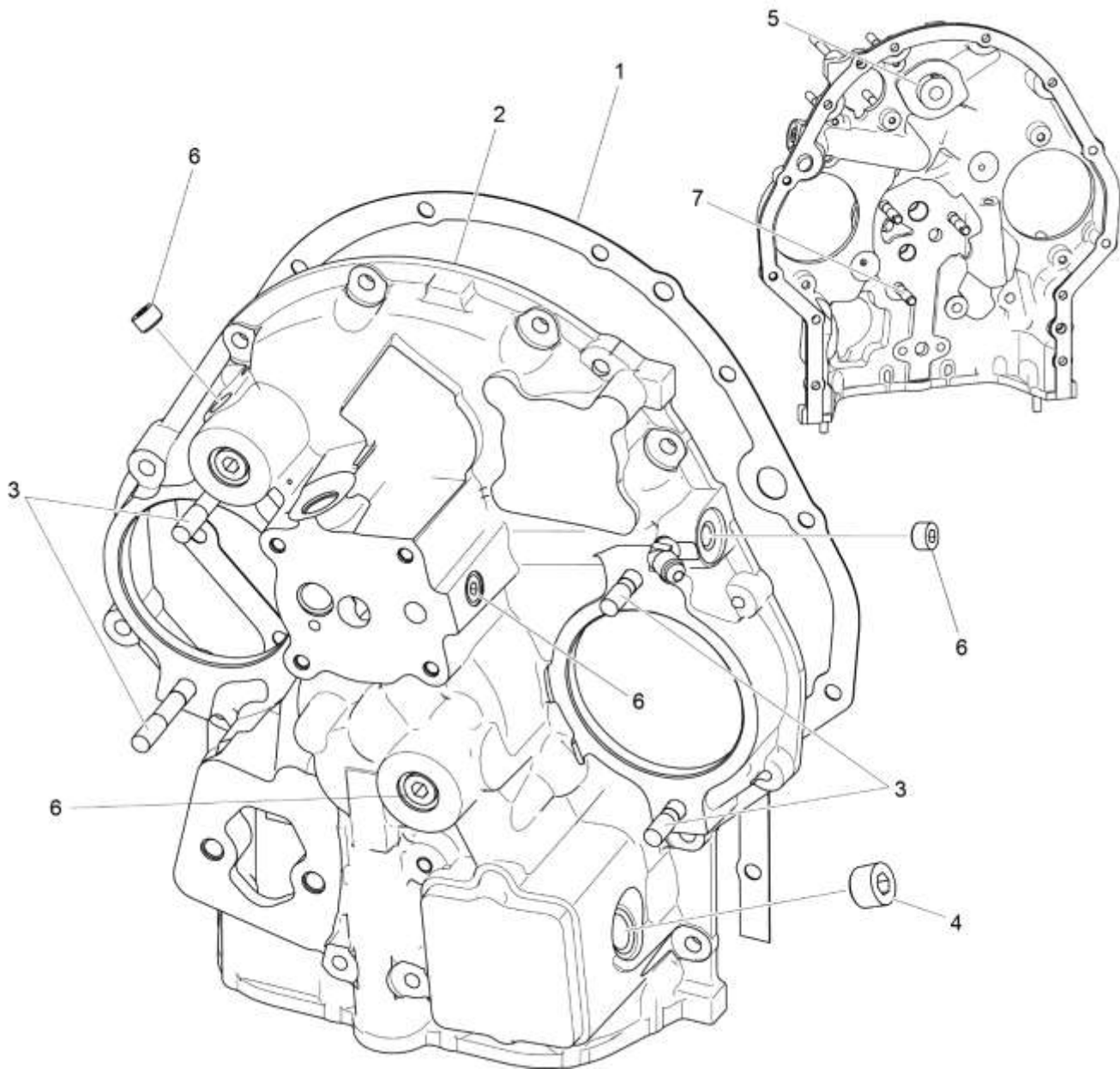


Figure 14
Accessory Housing Assembly

ACCESSORY DRIVES

FIGURE 14 – ACCESSORY HOUSING ASSEMBLY

| Figure Item | Code | Part Number | Description | Units per Assembly |
|-------------|------|-------------|-------------------------------------|--------------------|
| 1 | | 73818 | GASKET, Accessory housing | 1 |
| 2 | | 21A26242-37 | ASSEMBLY, Accessory housing | 1 |
| 3 | | 31C-12 | STUD, 5/16-18 x 1-1/2 long | 4 |
| 4 | | STD-784 | PLUG, 3/8-18 NPT, allen head | 1 |
| 5 | | 76119 | SHIELD, Accessory breather oil | 1 |
| 6 | | 1102 | PLUG, 1/8-27 NPT, allen head | 4 |
| 7 | | 31CD-17 | STUD, 5/16-18 x 2-1/8 long, drilled | 3 |

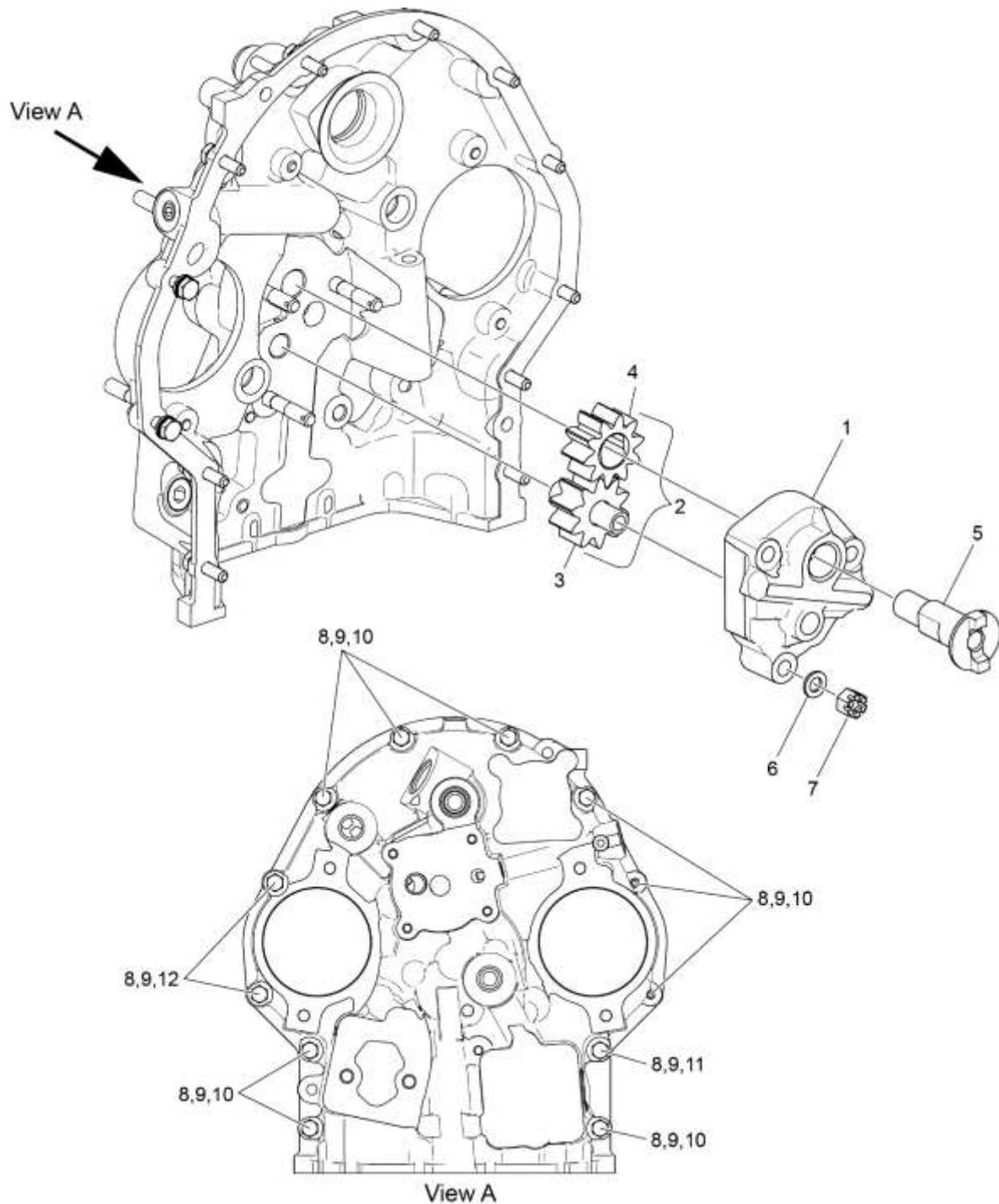


Figure 15
Oil Pump Assembly and Accessory Housing Attaching Parts

ACCESSORY DRIVES

FIGURE 15 – OIL PUMP ASSEMBLY AND ACCESSORY HOUSING ATTACHING PARTS

| Figure Item | Code | Part Number | Description | Units per Assembly |
|-------------|------|-------------|---|--------------------|
| 1 | | 51F28531 | BODY, Oil pump | 1 |
| 2 | * | 05K19423-S | IMPELLER KIT | 1 |
| 3 | * | LW-18110 | IMPELLER ASSEMBLY, Pressure pump driven | 1 |
| 4 | * | LW-18109 | IMPELLER, Oil pump driving | |
| 5 | | 61174 | SHAFT, Oil pump drive | 1 |
| 6 | | STD-35 | WASHER, 5/16 plain | 3 |
| 7 | | STD-1420 | NUT, 5/16-18 slotted | 3 |
| 8 | | STD-8 | WASHER, 1/4 plain | 12 |
| 9 | | STD-160 | WASHER, 1/4 lock, internal teeth | 12 |
| 10 | | LW-25-0.94 | BOLT, 1/4-20 x 15/16 long, hex. head | 9 |
| 11 | | LW-25-1.13 | BOLT, 1/4-20 x 1-1/8 long, hex. head | 1 |
| 12 | | LW-25-1.44 | BOLT, 1/4-20 x 1-7/16 long, hex. head | 2 |

* To ensure impellers are replaced together, oil pump impellers are available only as kit P/N 05K19423-SS

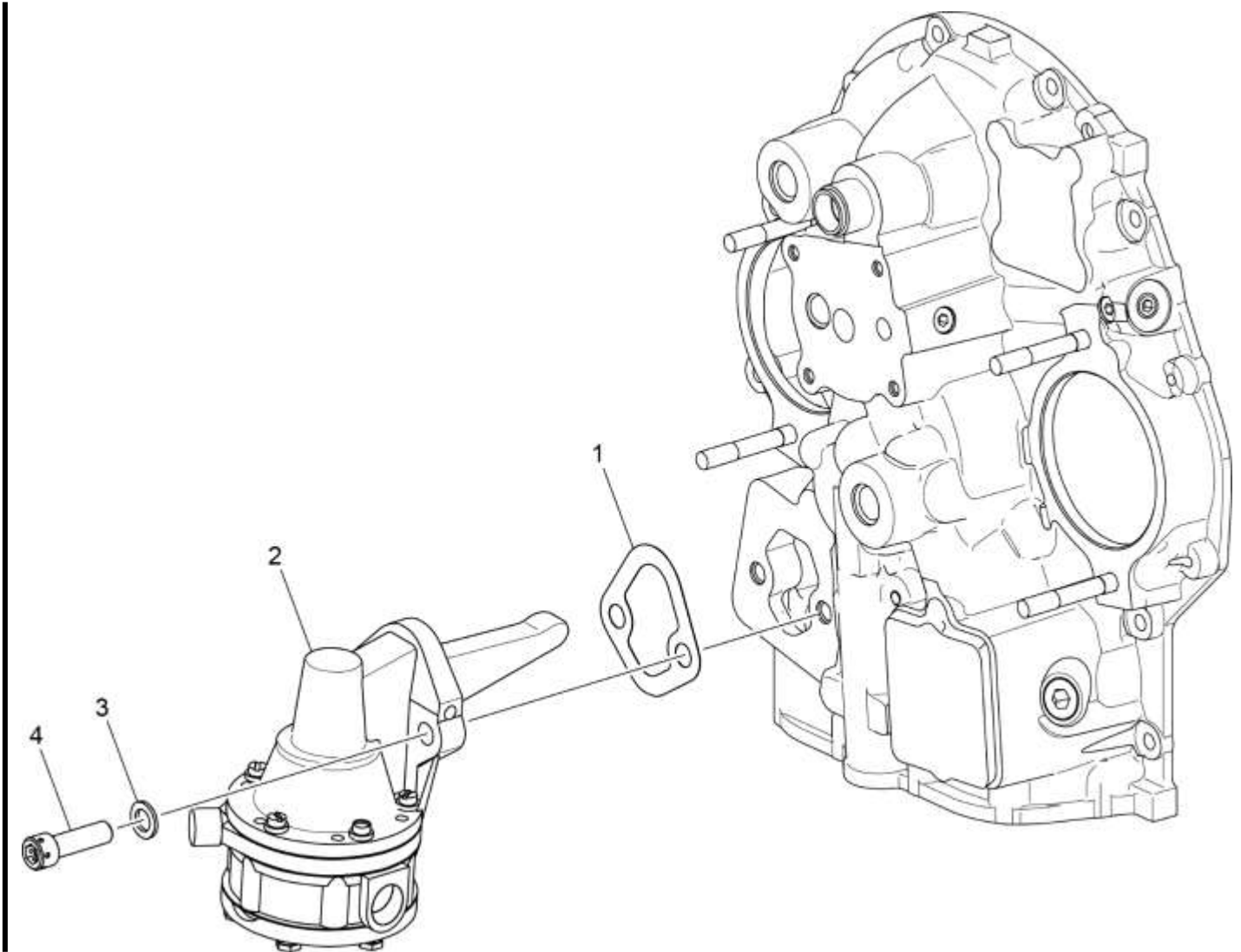


Figure 16
Fuel Pump Assembly and Attaching Parts

ACCESSORY DRIVES

FIGURE 16 – FUEL PUMP ASSEMBLY AND ATTACHING PARTS

| Figure Item | Code | Part Number | Description | Units per Assembly |
|--------------------|-------------|--------------------|---|---------------------------|
| 1 | | 60096 | GASKET, Fuel pump | 1 |
| 2 | | 62B26931 | FUEL PUMP, High pressure | 1 |
| 3 | | STD-33 | WASHER, 3/8 plain | 2 |
| 4 | | STD-1882 | SCREW, 3/8-16 x 1-9/32 long, socket head, drilled | 2 |

ACCESSORY DRIVES

**FIGURE 17 – OIL FILTER ASSEMBLY, OIL COOLER BYPASS VALVE
AND BREATHER FITTING**

| Figure Item | Code | Part Number | Description | Units per Assembly |
|-------------|------|---------------|--|--------------------|
| 1 | | 06E19769-0.63 | GASKET, Annular, 5/8 I.D. | 1 |
| 2 | | 62417 | PLUG, Oil cooler bypass | 1 |
| 3 | * | AN816-8D | NIPPLE, 3/8 ANPT to 1/2 tube | 1 |
| 4 | * | MS20823-8D | ELBOW, 45 degree, 1/2 flared tube and 3/8 | 1 |
| 5 | ** | SP56202-102 | FITTING, Adapter, NPT to flare | 1 |
| 6 | | STD-71 | PLUG, 3/8-18 NPT, socket head | 1 |
| 7 | | 06B29860 | GASKET, Oil pressure housing | 1 |
| 8 | | 54B28395 | BASE ASSEMBLY, Oil filter adapter | 1 |
| 9 | | 54D28353 | OIL FILTER, Short, internal bypass (spin on type), CH48108-1 | 1 |
| 10 | | STD-8 | WASHER, 1/4 plain | 4 |
| 11 | | STD-160 | WASHER, 1/4 lock, internal teeth | 4 |
| 12 | | LW-25-1.00 | BOLT, 1/4-20 x 1.00 long, hex. head | 4 |
| 13 | | 53E22144 | VALVE ASSEMBLY, Temperature control oil cooler bypass with gasket | 1 |

* Some configurations of the CC363i/CC363i-FP will have the elbow P/N MS20823-8 installed in the upper oil cooler boss and the nipple P/N AN816-8 installed in the lower oil cooler boss. Other configurations will have the nipple P/N AN816-8 installed in the upper oil cooler boss and the elbow P/N MS20823-8 installed in the lower oil cooler boss

** Cub Crafters part number. Must be purchased from Cub Crafters.

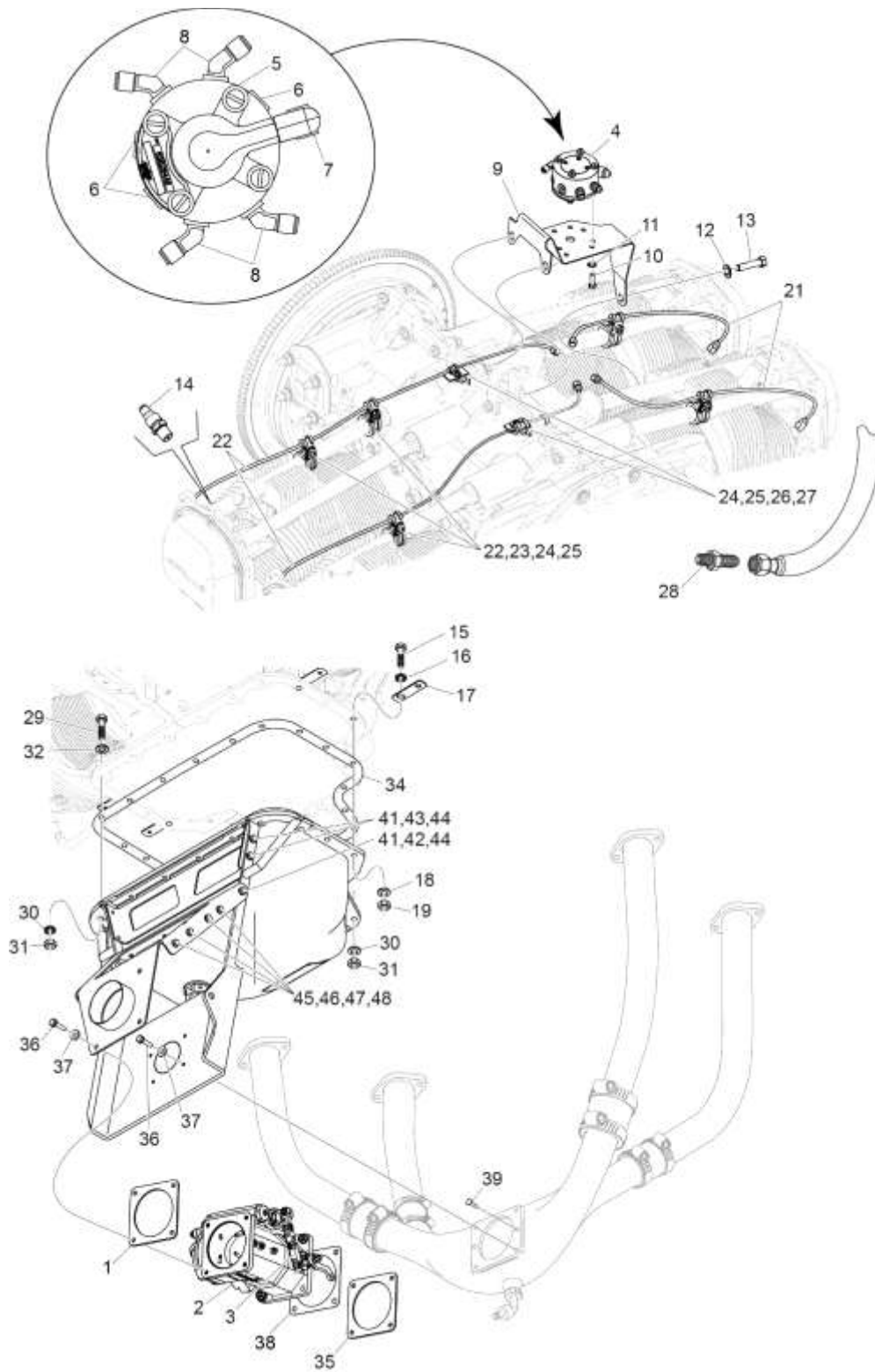


Figure 18
Fuel Injector, Fuel Manifold, Fuel Lines, Air Induction

FUEL DISTRIBUTION

FIGURE 18 – FUEL INJECTOR, FUEL MANIFOLD, FUEL LINES, AIR INDUCTION

| Figure Item | Code | Part Number | Description | Units per Assembly |
|-------------|----------|----------------|--|--------------------|
| 1 | | 66224 | GASKET, Carburator | 2 |
| 2 | V | 61J29118-Y | INJECTOR, Fuel, AVX-NNSS5 | 1 |
| 3 | | 05L31556-Y | LEVER, throttle, 2.000 LG | 1 |
| | | 05L31557-Y | LEVER, throttle, 1-7/8 LG (Fixed Pitch Prop) | 1 |
| 4 | | 63B29120-Y | MANIFOLD ASSEMBLY, Fuel | 1 |
| 5 | | 63B29119-Y | MANIFOLD, Fuel (4 PSI) | 1 |
| 6 | | 1102 | PLUG, 1/8-27 NPT, allen head | 3 |
| 7 | | MS20822-4 | ELBOW, 1/4 tube, 1/8 NPT, 90° | 1 |
| 8 | | AN791-2 | ELBOW, union, 45 degree, 1/8 tube | 4 |
| 9 | | 75009 | BRACKET, fuel manifold | 1 |
| 10 | | STD-82 | SCREW, No. 10-24 x 1/2 long, fill. Head | 4 |
| 11 | | STD-251 | WASHER, No. 10 lock, internal teeth | 4 |
| 12 | | STD-160 | WASHER, 1/4 lock, internal teeth | 1 |
| 13 | | LW-25-0.50 | BOLT, 1/4-20 X 1/2 long, hex | 1 |
| 14 | | 63C26450 | NOZZLE, Injection, Low (AV2524864-2) | 4 |
| 15 | | STD-2329 | BOLT, 5/16-24 x 1-3/16 long, drilled head | 4 |
| 16 | | STD-35 | WASHER, 5/16 plain | 4 |
| 17 | * | C81262-19 | LINK | 4 |
| 18 | | STD-35 | WASHER, 5/16 plain | 4 |
| 19 | | STD-1410 | NUT, 5/16-18 plain | 4 |
| 20 | | STD-475 | WASHER, 5/16 lock, internal teeth | 4 |
| 21 | | LW-12098-0-140 | TUBE ASSEMBLY, Fuel line | 2 |
| 22 | | LW-12098-0-210 | TUBE ASSEMBLY, Fuel injector line | 2 |
| 23 | | LW-16266-10-75 | CLAMP, 3/4 ID for #10 screw | 4 |
| 24 | | LW-16266-10-13 | CLAMP, 1/8 diameter for #10 screw | 6 |
| 25 | | STD-860 | SCREW, No. 10-32 x 5/8 long, fill. head | 6 |
| 26 | | STD-670 | LOCKNUT, No. 10-32 | 6 |

V Vendor Prime Manufacturer part
***** Cub Crafters part number. Must be purchased from Cub Crafters.

FUEL DISTRIBUTION
FIGURE 18 – FUEL INJECTOR, FUEL MANIFOLD, FUEL LINES, AIR INDUCTION (CONT.)

| Figure Item | Code | Part Number | Description | Units per Assembly |
|-------------|------|-------------|---|--------------------|
| 27 | | 73136 | BRACKET, Extension, fuel injector link | 2 |
| 28 | | 75739 | NIPPLE, 3/8 Flared tube | 1 |
| 29 | | LW-25-0.94 | BOLT, 1/4-20 x 15/16 long hex | 12 |
| 30 | | STD-696 | WASHER, 1/4 plain (thin) | 4 |
| 31 | | STD-1411 | NUT, 1/4-20 plain | 4 |
| 32 | | STD-160 | WASHER, 1/4 lock, internal teeth | 12 |
| 33 | | STD-8 | WASHER, 1/4 plain | 12 |
| 34 | | LW-13353 | GASKET, Oil sump | 1 |
| 35 | | SK50381-001 | GASKET, Intake manifold | 1 |
| 36 | | LW-25H0.63 | BOLT, 1/4-20 x 5/8 long hex drilled | 4 |
| 37 | | STD-8 | WASHER, 1/4 plain | 4 |
| 38 | | 77504 | GASKET, Fuel injector | 1 |
| 39 | | MS24693-C27 | SCREW, #10-32 unc-2a x 7/16 long, flat head | 2 |
| 40 | | STD-425 | WASHER, #10 plain | 4 |
| 41 | | STD-1650 | BOLT, #10-32 x 21/32 long | 6 |
| 42 | | STD-425 | WASHER, #10 plain | 4 |
| 43 | | STD-28 | WASHER, #10 plain | 8 |
| 44 | | MS21045-3 | NUT, #10-32 NF-3, self-locking | 6 |
| 45 | | LW-25-1.25 | BOLT, 1/4-20 X 1 1/4 long hex | 8 |
| 46 | | STD-160 | WASHER, 1/4 lock, internal teeth | 8 |
| 47 | | STD-8 | WASHER, 1/4 plain | 8 |
| 48 | | STD-696 | WASHER, 1/4 plain (thin) | 8 |

This page intentionally left blank.

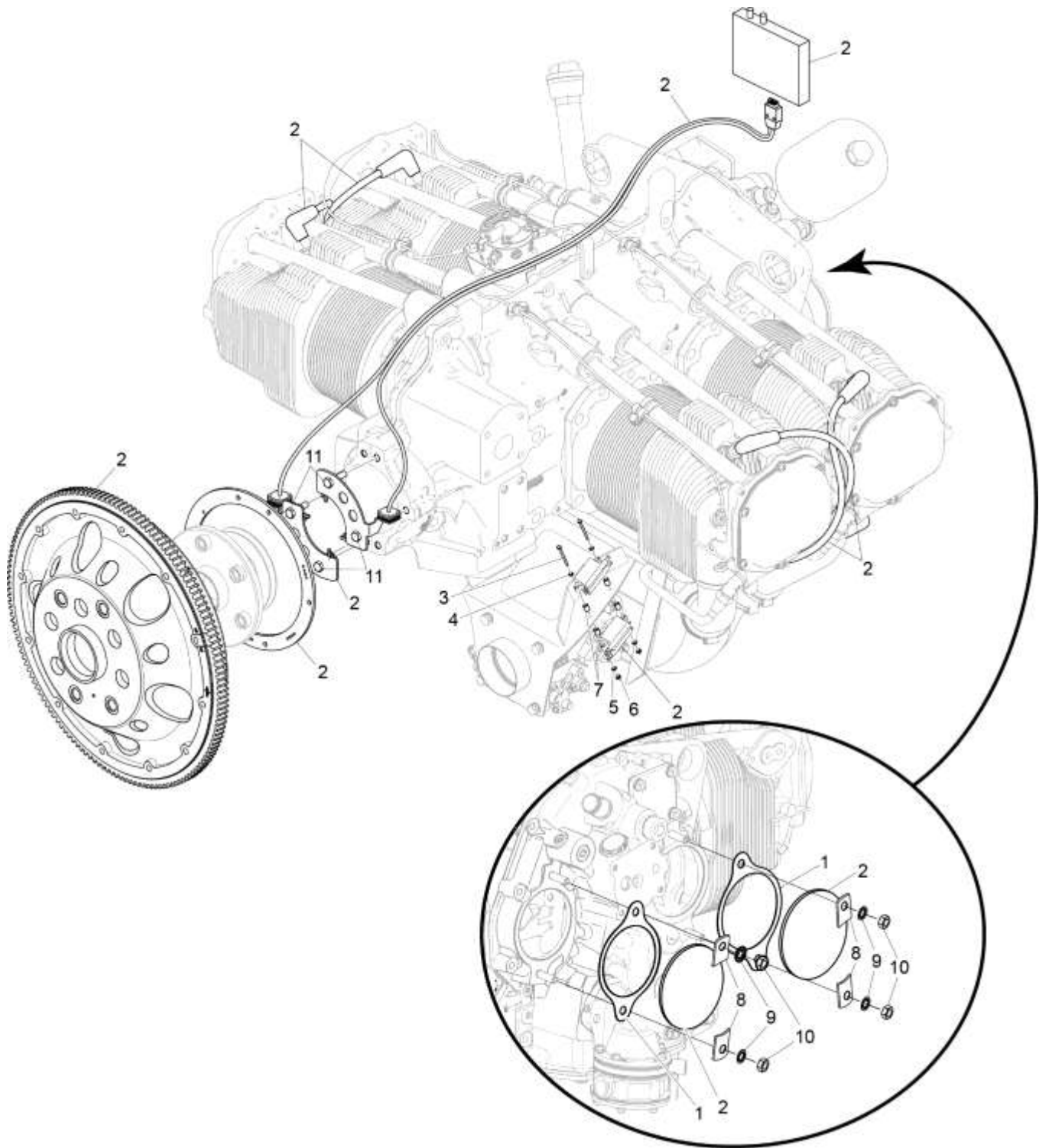


Figure 19
Lightspeed Ignition

ELECTRONIC IGNITION
FIGURE 19 – LIGHTSPEED IGNITION

| Figure Item | Code | Part Number | Description | Units per Assembly |
|---|------|--------------|--|--------------------|
| 1 | | LW-12681 | GASKET, magneto | 2 |
| 2 | * | 1.334-D-H-22 | IGNITION, electronic, lightspeed dual plasma III | 1 |
| 3 | | AN4-30A | BOLT, 1/4-28UNF X 3 1/32 long | 4 |
| 4 | | STD-425 | WASHER, #10 plain | 16 |
| 5 | | STD-8 | WASHER, 1/4 plain | 8 |
| 6 | | STD-673 | NUT, 1/4-28 self-locking | 4 |
| 7 | ** | SK51368-001 | BUSHING | 8 |
| 8 | | 66M21195 | CLAMP, magneto, M3741 | 4 |
| 9 | | STD-475 | WASHER, 5/16 lock, internal teeth | 4 |
| 10 | | STD-1410 | NUT, 5/16-18 plain | 4 |
| 11 | | LW-25H0.63 | BOLT, 1/4-20 x 5/8 long, hex, drilled | 4 |
| <p>* Light Speed Engineering part number. Must be purchased from Light Speed Engineering. ** Cub Crafters part number. Must be purchased from Cub Crafters.</p> | | | | |

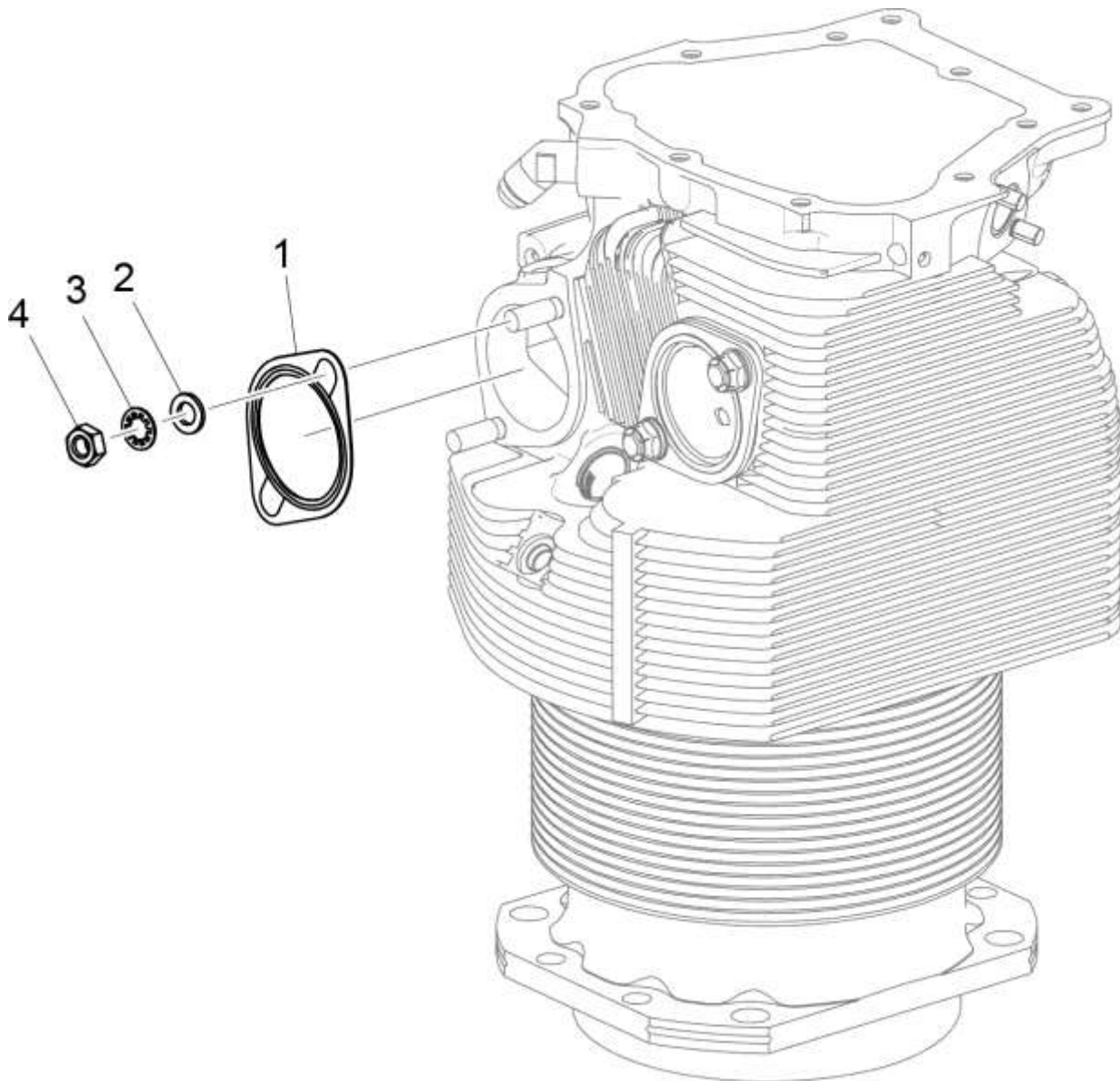


Figure 20
Exhaust Gasket and Flange Attaching Parts

EXHAUST SYSTEM

FIGURE 20 – EXHAUST GASKET AND FLANGE ATTACHING PARTS

| Figure Item | Code | Part Number | Description | Units per Assembly |
|--------------------|-------------|--------------------|-----------------------------------|---------------------------|
| 1 | | 77611 | GASKET, Exhaust flange | 4 |
| 2 | | STD-35 | WASHER, 5/16 plain | 8 |
| 3 | | STD-475 | WASHER, 5/16 lock, internal teeth | 8 |
| 4 | | STD-1410 | NUT, 5/16-18 plain | 8 |

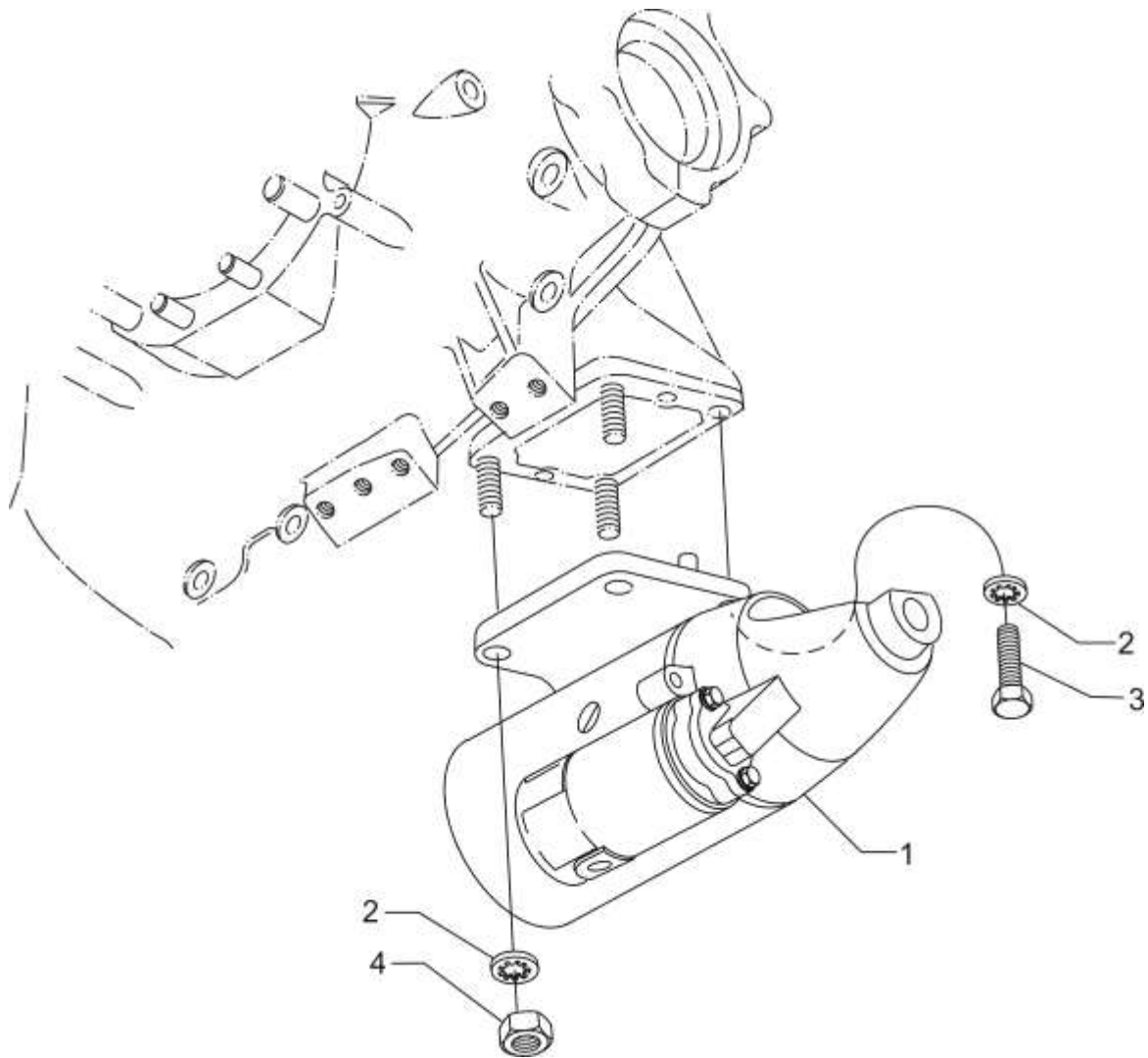


Figure 21
Starter Motor and Attaching Parts

CRANKING

FIGURE 21 - STARTER MOTOR AND ATTACHING PARTS

| Figure Item | Code | Part Number | Description | Units per Assembly |
|-------------|------|-------------|---------------------------------------|--------------------|
| 1 | V | 31A22104 | STARTER, Sky-Tec, V 149-12LS | 1 |
| 2 | | STD-475 | WASHER, 5/16 lock, internal teeth | 4 |
| 3 | | LW-31-0.94 | BOLT, 5/16-18 x 15/16 long, hex. head | 1 |
| 4 | | STD-1410 | NUT, 5/16-18 plain | 3 |

V Vendor Prime Manufacturer part

NOTE: See latest revision of Lycoming Service Instruction No. 1154 for complete listing of FAA approved starters, generators, alternators, regulators and relays.

SERVICE KIT SECTION

SEAL AND GASKET SET

| PART NO. | PART NAME | Qty. |
|----------------|--|----------|
| 75439-1 | KIT - SEAL AND GASKET SET | 1 |
| AN901-8A | GASKET, Metal tube connect seal | 1 |
| LW-10332 | LOCKPLATE, Crankshaft gear | 1 |
| LW-12272 | LOCKPLATE, Shroud tube | 4 |
| LW-12681 | GASKET, Magneto | 2 |
| 06B23862 | GASKET, Oil filter adapter | 1 |
| LW-13353 | GASKET, Oil sump | 1 |
| LW-13792 | SEAL, Crankshaft oil | 1 |
| LW-14260 | SEAL, Tachometer drive oil | 1 |
| LW-14995 | SPRING, Shroud tube | 4 |
| LW-18639 | LOCKPLATE, Crankshaft gear | 1 |
| LW-18661 | SEAL, Shroud tube | 8 |
| 70310 | SEAL, Shroud tube | 8 |
| STD-475 | WASHER, 5/16 lock, internal teeth | 4 |
| STD-213 | SEAL, Oil, 3/4 I.D. x 1-3/8 O.D. | 1 |
| 06A19956 | SEAL, Oil, 7/8 I.D. x 1-1/2 O.D. | 1 |
| 06E19769-0.63 | GASKET, Annular, 5/8 I.D. | 2 |
| 06E19769-1.00 | GASKET, Annular, 1.00 I.D. | 1 |
| 06E19769-1.25 | GASKET, Annular, 1-1/4 I.D. | 1 |
| 1691-C | GASKET, Fuel pump | 1 |
| 60096 | GASKET, Fuel pump | 1 |
| 61173 | GASKET, Oil pressure housing | 1 |
| 61183 | GASKET, Accessory adapter | 1 |
| 62224 | GASKET, Magneto adapter | 3 |
| 66224 | GASKET, Fuel injector | 2 |
| 68315 | GASKET, Accessory drive adapter | 1 |
| 69164 | GASKET, Fuel pump adapter | 1 |
| 69345 | SPACER | 4 |
| 69551 | GASKET, Accessory drive adapter | 1 |
| 70310 | SEAL, Shroud tube | 8 |
| 70455 | GASKET, 3/4 I.D. x 1-1/8 O.D. | 1 |
| 71481 | RING, Oil seal, 3/32 diameter x 4-27/32 I.D. | 4 |
| 71973 | GASKET, 2 bolt flange | 4 |
| 72053 | GASKET, Governor | 2 |
| 72059 | GASKET, Oil level gage | 1 |

SERVICE KIT SECTION (CONT.)

SEAL AND GASKET SET (CONT.)

| | | |
|----------------|--|----------|
| 75439-1 | KIT – SEAL AND GASKET SET (CONT.) | 1 |
| 72075 | SEAL, Oil, 3/32 section x 29/64 I.D. | 6 |
| 72078 | LOCKPLATE, 5/16 bolt | 2 |
| 72091 | RING, Oil seal, 3/8 I.D. x 7/64 diameter | 2 |
| 72220 | GASKET, Oil level gage | 1 |
| 72312 | RING, Oil seal, 1.00 x 1-5/16 | 1 |
| 72829 | LOCKPLATE, 1/4 bolt x 1-3/4 | 1 |
| 73383 | LOCKPLATE, 5/16 bolt x 1.00 | 2 |
| 73817 | LOCKPLATE, 1/4 bolt x 1-3/4 | 2 |
| 73818 | GASKET, Accessory housing | 1 |
| 74065 | RING, Oil level gage seal | 1 |
| 74068 | RING, Oil level gage plug | 1 |
| 06B26669 | GASKET, Rocker box cover (silicone) | 4 |
| 76510 | GASKET, Oil cooler bypass valve | 1 |
| 76940 | SEAL, Crankshaft | 1 |
| 77154 | GASKET, Carburetor | 1 |
| 77611 | GASKET, Exhaust flange | 4 |
| 8313 | GASKET, Vacuum pump | 1 |
| 77569 | RING, Seal, intake pipe | 4 |
| MS29512-04 | "O" RING | 1 |
| 06A23493 | SEAL, Shroud tube | 8 |

SERVICE KIT SECTION (CONT.)
CYLINDER, PISTON AND RING ASSEMBLY

| PART NO. | PART NAME | Qty. |
|-------------------|--|-------------|
| 05K31510-Y | KIT - CYLINDER, PISTON, AND RING ASSEMBLY | 1 |
| 14D23914 | PISTON, Compression ratio, 9.00:1 | 1 |
| LW-14078 | PIN, Piston | 1 |
| 72198 | PLUG, Piston pin | 2 |
| 74241 | RING, Piston, compression, 5.125 bore | 2 |
| 14H29884 | RING ASSEMBLY, Piston, oil regulating, expander type | 1 |
| 71481 | RING, Oil seal, 4-27/32 ID x 3/32 diameter section | 1 |
| LW-18661 | SEAL, Shroud tube | 2 |
| 70310 | SEAL, Shroud tube | 2 |
| 06B26669 | GASKET, Rocker box cover (silicone) | 1 |
| 71195 | CONTAINER | 1 |
| 77611 | GASKET, Exhaust flange | 1 |
| 06C29105-Y | O-RING, Silicone (Cub Crafters P/N SP50208-001) | 1 |
| LW-12272 | LOCKPLATE, shroud tube | 1 |
| 16G30080-0302 | CYLINDER HEAD & VALVE ASSY (Parallel Valve) | 1 |
| 76943 | GUIDE, valve, intake | 1 |
| 72057 | SEAT, valve-intake | 1 |
| 16R22126 | GUIDE, valve, exhaust (ni-resist) | 1 |
| 72058 | SEAT, valve, exhaust | 1 |
| 66610 | BUSHING, rocker shaft | 4 |
| 66796 | INSERT, Spark plug, 18 x 1.5 MM | 2 |
| 31C-12 | STUD, 5/16-18 x 1-1/2 long | 2 |
| 25C-8 | STUD, 1/4-20 x 1.00 long | 1 |
| STD-1353 | INSERT, No. 10-24 UNC x 3/8 long | 1 |
| 17A29467 | VALVE, intake (rotator type) | 1 |
| 17B23936 | VALVE, exhaust | 1 |
| 17D29060 | SPRING, valve - outer (orange) | 2 |
| 17D29055 | SPRING, valve - auxiliary (orange) | 2 |
| 69532 | SEAT, valve spring, upper intake | 1 |
| LW-16475 | SEAT, valve spring, uppr.exhaust | 1 |

SERVICE KIT SECTION (CONT.)
CYLINDER, PISTON AND RING ASSEMBLY (CONT.)

| PART NO. | PART NAME | Qty. |
|-----------------|------------------------------------|-------------|
| 65441 | SEAT, valve spring, lower intake | 1 |
| LW-13323 | SEAT, valve spring, lower exhaust | 1 |
| 72050 | KEY, valve, intake | 2 |
| 17C21191 | KEY, valve, exhaust | 2 |
| 62388 | CAP, valve stem | 1 |
| 17C19386 | CAP, valve stem, exhaust (rotator) | 1 |
| MS20823-6D | ELBOW, 45 degree, 3/8 flared tube | 1 |
| 06A23493 | SEAL, shroud tube | 2 |
| 1102 | PLUG, 1/8 pipe | 2 |
| SSP-115 | STICKER | 1 |
| SSP-299 | TAG, Use of Piston Pin Plugs | 1 |

CRANKCASE ASSEMBLY AND THRU-STUD KIT (ROLLER TAPPET ENGINES)

| PART NO. | PART NAME | Qty. |
|---------------------|---|-------------|
| 11B19524-5-S | KIT - CRANKCASE ASSEMBLY AND THRU-STUD | 1 |
| 11B19524-5 | CRANKCASE ASSEMBLY (Roller lifter) | 1 |
| AN565B1032H4 | SETSCREW, #10-32 x 1/4 lg | 1 |
| AN565B1032H5 | SETSCREW, #10-32 x 5/16 lg | 1 |
| STD-2090 | NUT, 1/2-20, plain | 2 |
| 31C-14 | STUD, 5/16-18 x 1-3/4 lg | 4 |
| 31C-16 | STUD, 5/16-18 x 2.00 lg | 4 |
| 74887 | SPACER, 33/64 I.D. x 7/8 O.D. x 3/8 thick | 2 |
| 76220 | STUD, 1/2-20 x 10-45/64 long | 4 |

NUMERICAL INDEX

| PART NO. | PART NAME | PAGE NO. |
|---------------|----------------|----------|
| 01K28983 | BUSHING | 17 |
| 01L21418 | WASHER | 3 |
| 01L23459 | WASHER | 21 |
| 05L31556-Y | LEVER | 39 |
| 06A23493 | SEAL | 21 |
| 06B26669 | GASKET | 25 |
| 06B29860 | GASKET | 37 |
| 06E19769-0.63 | GASKET | 37 |
| 06E19769-1.25 | GASKET | 7 |
| 1.334-D-H-22 | IGNITION | 43 |
| 1028-B | BALL | 7 |
| 1102 | PLUG | 5 |
| 1102 | PLUG | 9 |
| 1102 | PLUG | 19 |
| 1102 | PLUG | 31 |
| 1102 | PLUG | 39 |
| 05K19423-S | IMPELLER KIT | 33 |
| 11B19524-5 | CRANKCASE ASSY | 5 |
| 11B20161-3SL | CRANKCASE ASSY | 5 |
| 13B47121 | C'SHAFT ASSY' | 9 |
| 13B47219 | C'SHAFT ASSY | 9 |
| 13S19646 | GEAR | 9 |
| 14D23914 | PISTON | 17 |
| 14H29884 | RING ASSEMBLY | 17 |
| 14S23890 | BOLT | 17 |
| 14W21696 | ROLLER | 9 |
| 15B21319 | SOCKET | 21 |
| 15B26066 | PLUNGER ASSY | 21 |
| 15F28835-28 | ROD ASSEMBLY | 21 |
| 15F28835-29 | ROD ASSEMBLY | 21 |
| 15F28835-30 | ROD ASSEMBLY | 21 |
| 15F28835-31 | ROD ASSEMBLY | 21 |
| 15F28835-32 | ROD ASSEMBLY | 21 |
| 15F28835-33 | ROD ASSEMBLY | 21 |
| 15F28835-34 | ROD ASSEMBLY | 21 |
| 15G23461 | SHROUD TUBE | 21 |
| 15M23452 | CAMSHAFT ASSY | 11 |

| PART NO. | PART NAME | PAGE NO. |
|-------------|-----------------|----------|
| 15M23456 | CAMSHAFT ASSY | 11 |
| 16A30080-03 | CYL & HEAD ASSY | 19 |
| 16R22126 | GUIDE | 19 |
| 17A23938 | VALVE | 21 |
| 17B23936 | VALVE | 21 |
| 17C19386 | CAP | 21 |
| 17C21191 | KEY | 21 |
| 17D29055 | SPRING | 21 |
| 17D29060 | SPRING | 21 |
| 17F19357 | ROCKER ASSY | 23 |
| 17J28868 | COVER | 25 |
| 18A26093 | BEARING | 7 |
| 18D26098 | BEARING | 7 |
| 18M23887 | BEARING | 17 |
| 18M26105 | BEARING | 17 |
| 21A26242-37 | ASSEMBLY | 31 |
| 23D26777 | PLUNGER | 11 |
| 25C-8 | STUD | 19 |
| 31A22104 | STARTER | 47 |
| 31C-12 | STUD | 5 |
| 31C-12 | STUD | 19 |
| 31C-12 | STUD | 31 |
| 31C-13 | STUD | 5 |
| 31C-17 | STUD | 5 |
| 31CD-17 | STUD | 31 |
| 38-13 | STUD | 5 |
| 38-22 | STUD | 5 |
| 383-B | NUT | 23 |
| 38D-17 | STUD | 5 |
| 50-15 | STUD | 5 |
| 51F28531 | BODY | 33 |
| 53E22144 | VALVE ASSEMBLY | 37 |
| 54B28395 | BASE ASSEMBLY | 37 |
| 54D28353 | OIL FILTER | 37 |
| 56C23674-Y | GAGE ASSEMBLY | 29 |
| 60009 | KEY | 21 |
| 60096 | GASKET | 35 |

| PART NO. | PART NAME | PAGE NO. |
|------------|---------------|----------|
| 60803 | STRAP | 13 |
| 60803 | STRAP | 15 |
| 61084 | SPRING | 7 |
| 61174 | SHAFT | 33 |
| 61J29118-Y | INJECTOR | 39 |
| 62417 | PLUG | 37 |
| 62B26931 | FUEL PUMP | 35 |
| 63B29119-Y | MANIFOLD | 39 |
| 63B29120-Y | MANIFOLD ASSY | 39 |
| 63C26450 | NOZZLE | 39 |
| 65441 | SEAT | 21 |
| 66224 | GASKET | 39 |
| 66610 | BUSHING | 19 |
| 66796 | INSERT | 19 |
| 66M21195 | CLAMP | 43 |
| 68668 | SPRING | 7 |
| 68759 | TUBE ASSEMBLY | 25 |
| 68760 | TUBE ASSEMBLY | 25 |
| 68761 | TUBE ASSEMBLY | 25 |
| 69796 | DOWEL | 5 |
| 70310 | SEAL | 21 |
| 70455 | GASKET | 3 |
| 71481 | RING | 23 |
| 71611 | RETAINER | 25 |
| 71629 | HOOK | 25 |
| 71903-A | BUSHING | 9 |
| 71907 | WASHER | 9 |
| 72053 | GASKET | 3 |
| 72057 | SEAT | 19 |
| 72058 | SEAT | 19 |
| 72059 | GASKET | 29 |
| 72075 | SEAL | 7 |
| 72091 | RING | 7 |
| 72155-S | BUSHING | 9 |
| 72158 | BUSHING | 5 |
| 72198 | PLUG | 17 |
| 72378 | COVER | 3 |
| 72797 | ROLLER | 9 |

| PART NO. | PART NAME | PAGE NO. |
|--------------|----------------|----------|
| 73136 | BRACKET | 40 |
| 73249 | WASHER | 3 |
| 73250 | WASHER | 3 |
| 73251 | WASHER | 3 |
| 73252 | WASHER | 3 |
| 73772 | NOZZLE ASSY | 5 |
| 73810 | BUSHING | 9 |
| 73818 | GASKET | 31 |
| 74065 | RING | 29 |
| 74241 | RING | 17 |
| 74637 | BUSHING | 23 |
| 74711 | PLUG | 9 |
| 74887 | SPACER | 23 |
| 74996 | GEAR ASSEMBLY | 11 |
| 75009 | BRACKET | 39 |
| 75061 | BOLT | 17 |
| 75072 | GEAR ASSEMBLY | 11 |
| 75154 | STUD | 5 |
| 75444 | ADAPTER ASSY | 27 |
| 75656-S | BUSHING | 9 |
| 75657-S | BUSHING | 9 |
| 75739 | NIPPLE | 40 |
| 75767 | TUBE | 29 |
| 76118 | SPACER | 11 |
| 76119 | SHIELD | 31 |
| 76220 | STUD | 13 |
| 76220 | STUD | 15 |
| 76943 | GUIDE | 19 |
| 77450 | CONN ROD ASSY | 17 |
| 77467 | SPRING | 7 |
| 77504 | GASKET | 40 |
| 77611 | GASKET | 19 |
| 77611 | GASKET | 45 |
| 77808 | VALVE ASSEMBLY | 7 |
| 77874 | GEAR ASSEMBLY | 3 |
| 77875 | GEAR | 3 |
| AN4-30A | BOLT | 43 |
| AN565B1032H5 | SET SCREW | 3 |

| PART NO. | PART NAME | PAGE NO. |
|----------------|---------------|----------|
| AN6-34A | BOLT | 13 |
| AN6-34A | BOLT | 15 |
| AN791-2 | ELBOW | 39 |
| AN816-8D | NIPPLE | 37 |
| AN915-1D | ELBOW | 27 |
| C81262-19 | LINK | 39 |
| LRT23381 | BODY ASSEMBLY | 7 |
| LW-10077 | SEAT | 21 |
| LW-11713 | SPRING | 7 |
| LW-11750 | ROD ASSEMBLY | 17 |
| LW-12098-0-140 | TUBE ASSEMBLY | 39 |
| LW-12098-0-210 | TUBE ASSEMBLY | 39 |
| LW-12186 | NUT | 17 |
| LW-12272 | LOCKPLATE | 21 |
| LW-12681 | GASKET | 43 |
| LW-12892 | THRUST BUTTON | 23 |
| LW-13323 | SEAT | 21 |
| LW-13353 | GASKET | 40 |
| LW-13790 | SHAFT | 23 |
| LW-13792 | SEAL | 7 |
| LW-13793 | STUD | 5 |
| LW-13796 | SHAFT | 11 |
| LW-13896 | PLUG | 3 |
| LW-14021 | SHAFT | 3 |
| LW-14078 | PIN | 17 |
| LW-14820 | RING | 9 |
| LW-14995 | SPRING | 21 |
| LW-15592-5-04 | CLAMP | 25 |
| LW-15839 | BAFFLE ASSY | 25 |
| LW-16266-10-13 | CLAMP | 39 |
| LW-16266-10-75 | CLAMP | 39 |
| LW-16475 | SEAT | 21 |
| LW-16838 | BAFFLE ASSY | 25 |
| LW-18085 | SPRING | 7 |
| LW-18109 | IMPELLER | 33 |
| LW-18110 | IMPELLER ASSY | 33 |
| LW-18639 | LOCKPLATE | 9 |
| LW-19221 | COUNTERWEIGHT | 9 |

| PART NO. | PART NAME | PAGE NO. |
|---------------|---------------|----------|
| LW-19227 | C'WEIGHT ASSY | 9 |
| LW-25-0.50 | BOLT | 39 |
| LW-25-0.94 | BOLT | 33 |
| LW-25-0.94 | BOLT | 40 |
| LW-25-1.00 | BOLT | 27 |
| LW-25-1.00 | BOLT | 37 |
| LW-25-1.13 | BOLT | 13 |
| LW-25-1.13 | BOLT | 15 |
| LW-25-1.13 | BOLT | 33 |
| LW-25-1.25 | BOLT | 40 |
| LW-25-1.44 | BOLT | 33 |
| LW-25-1.50 | BOLT | 13 |
| LW-25-1.50 | BOLT | 15 |
| LW-25-1.75 | BOLT | 13 |
| LW-25-1.75 | BOLT | 15 |
| LW-25H0.63 | BOLT | 40 |
| LW-25H0.63 | BOLT | 43 |
| LW-25S1.50 | BOLT | 13 |
| LW-25S1.50 | BOLT | 15 |
| LW-31-0.94 | BOLT | 47 |
| LW-31H0.88 | BOLT | 11 |
| MS20822-4 | ELBOW | 39 |
| MS20823-6D | ELBOW | 19 |
| MS20823-8D | ELBOW | 37 |
| MS21045-3 | NUT | 40 |
| MS24693-C27 | SCREW | 40 |
| MS35333-46 | WASHER | 27 |
| MS35489-20X | GROMMET | 25 |
| NAS1149F0632P | WASHER | 13 |
| NAS1149F0632P | WASHER | 15 |
| NAS1149F0963P | WASHER | 27 |
| O5L31557-Y | LEVER | 39 |
| O7C29123-CT-Y | CLAMP | 27 |
| SC50362-001 | FLANGE | 27 |
| SK50362-001 | PIPE | 27 |
| SK50362-002 | PIPE | 27 |
| SK50362-003 | PIPE | 27 |
| SK50362-004 | PIPE | 27 |

| PART NO. | PART NAME | PAGE NO. |
|-------------|---------------|----------|
| SK50363-001 | MOUNTING LUG | 27 |
| SK50369-001 | SUPPORT | 27 |
| SK50371-001 | BRACKET | 27 |
| SK50375-001 | SUPPORT | 27 |
| SK50380-001 | MANIFOLD ASSY | 27 |
| SK50381-001 | GASKET | 40 |
| SK51368-001 | BUSHING | 43 |
| SP50208-001 | O-RING | 27 |
| SP56202-102 | FITTING | 37 |
| SP56204-001 | FITTING | 27 |
| STD-8 | WASHER | 13 |
| STD-8 | WASHER | 15 |
| STD-8 | WASHER | 27 |
| STD-8 | WASHER | 33 |
| STD-8 | WASHER | 37 |
| STD-8 | WASHER | 40 |
| STD-8 | WASHER | 43 |
| STD-28 | WASHER | 40 |
| STD-33 | WASHER | 13 |
| STD-33 | WASHER | 15 |
| STD-33 | WASHER | 35 |
| STD-35 | WASHER | 3 |
| STD-35 | WASHER | 19 |
| STD-35 | WASHER | 33 |
| STD-35 | WASHER | 39 |
| STD-35 | WASHER | 45 |
| STD-71 | PLUG | 37 |
| STD-82 | SCREW | 39 |
| STD-160 | WASHER | 13 |
| STD-160 | WASHER | 15 |
| STD-160 | WASHER | 27 |
| STD-160 | WASHER | 33 |
| STD-160 | WASHER | 37 |
| STD-160 | WASHER | 39 |
| STD-160 | WASHER | 40 |
| STD-251 | WASHER | 39 |
| STD-425 | WASHER | 40 |
| STD-425 | WASHER | 43 |

| PART NO. | PART NAME | PAGE NO. |
|----------|-----------|----------|
| STD-475 | WASHER | 3 |
| STD-475 | WASHER | 19 |
| STD-475 | WASHER | 39 |
| STD-475 | WASHER | 43 |
| STD-475 | WASHER | 45 |
| STD-475 | WASHER | 47 |
| STD-514 | DOWEL | 5 |
| STD-557 | DOWEL | 5 |
| STD-596 | NUT | 13 |
| STD-596 | NUT | 15 |
| STD-670 | LOCKNUT | 39 |
| STD-673 | NUT | 43 |
| STD-678 | WASHER | 13 |
| STD-678 | WASHER | 15 |
| STD-684 | NIPPLE | 25 |
| STD-696 | WASHER | 40 |
| STD-784 | PLUG | 31 |
| STD-860 | SCREW | 39 |
| STD-872 | NUT | 13 |
| STD-872 | NUT | 15 |
| STD-1065 | DOWEL | 9 |
| STD-1211 | PLUG | 9 |
| STD-1339 | PLUG | 5 |
| STD-1353 | INSERT | 19 |
| STD-1410 | NUT | 3 |
| STD-1410 | NUT | 19 |
| STD-1410 | NUT | 39 |
| STD-1410 | NUT | 43 |
| STD-1410 | NUT | 45 |
| STD-1410 | NUT | 47 |
| STD-1411 | NUT | 13 |
| STD-1411 | NUT | 15 |
| STD-1411 | NUT | 21 |
| STD-1411 | NUT | 40 |
| STD-1420 | NUT | 33 |
| STD-1623 | INSERT | 5 |
| STD-1650 | BOLT | 40 |
| STD-1792 | HOSE | 27 |

| PART NO. | PART NAME | PAGE NO. |
|----------|-----------|----------|
| STD-1821 | HOSE | 25 |
| STD-1882 | SCREW | 35 |
| STD-1925 | SCREW | 25 |
| STD-2090 | NUT | 23 |
| STD-2168 | NUT | 11 |

| PART NO. | PART NAME | PAGE NO. |
|----------|-----------|----------|
| STD-2246 | BOLT | 9 |
| STD-2249 | NUT | 13 |
| STD-2249 | NUT | 15 |
| STD-2329 | BOLT | 39 |